



US00D661273S

(12) **United States Design Patent**
Chu

(10) **Patent No.:** **US D661,273 S**
(45) **Date of Patent:** **** Jun. 5, 2012**

- (54) **DISPLAY**
 - (75) Inventor: **Chih-Ming Chu**, Taipei (TW)
 - (73) Assignee: **Hannspree, Inc.**, New Taipei (TW)
 - (**) Term: **14 Years**
 - (21) Appl. No.: **29/410,097**
 - (22) Filed: **Jan. 4, 2012**
 - (51) **LOC (9) Cl.** **14-03**
 - (52) **U.S. Cl.** **D14/126**
 - (58) **Field of Classification Search** D14/125-134,
D14/239, 371, 136, 374-377, 440, 450, 448,
D14/336, 342; 312/7.2; 348/836, 838, 180,
348/184, 325, 739; 341/12; 248/917-924,
248/465; 345/104, 133, 156, 168, 87, 173;
720/605, 669, 600, 655; 369/99, 197; 455/344,
455/347; D21/329, 515, 577, 622, 333, 433,
D21/448, 452, 450, 331; D6/477, 479, 300;
273/148 B; 446/484, 175, 356; D10/15,
D10/26
- See application file for complete search history.

D533,854 S *	12/2006	Rashid	D14/126
D574,342 S *	8/2008	Lee et al.	D14/126
D587,225 S *	2/2009	Shih et al.	D14/126
D618,187 S *	6/2010	Suzuki	D14/126
D620,902 S *	8/2010	Kim et al.	D14/126
D625,277 S *	10/2010	Lee et al.	D14/126
D628,542 S *	12/2010	Chien	D14/126
D628,969 S *	12/2010	Chien	D14/126
D629,371 S *	12/2010	Lim et al.	D14/126
D630,601 S *	1/2011	Chien	D14/126
D641,000 S *	7/2011	Chen	D14/126

* cited by examiner

Primary Examiner — Raphael Barkai
(74) *Attorney, Agent, or Firm* — Guice Patents PLLC

(57) **CLAIM**
The ornamental design for display, as shown and described.

DESCRIPTION

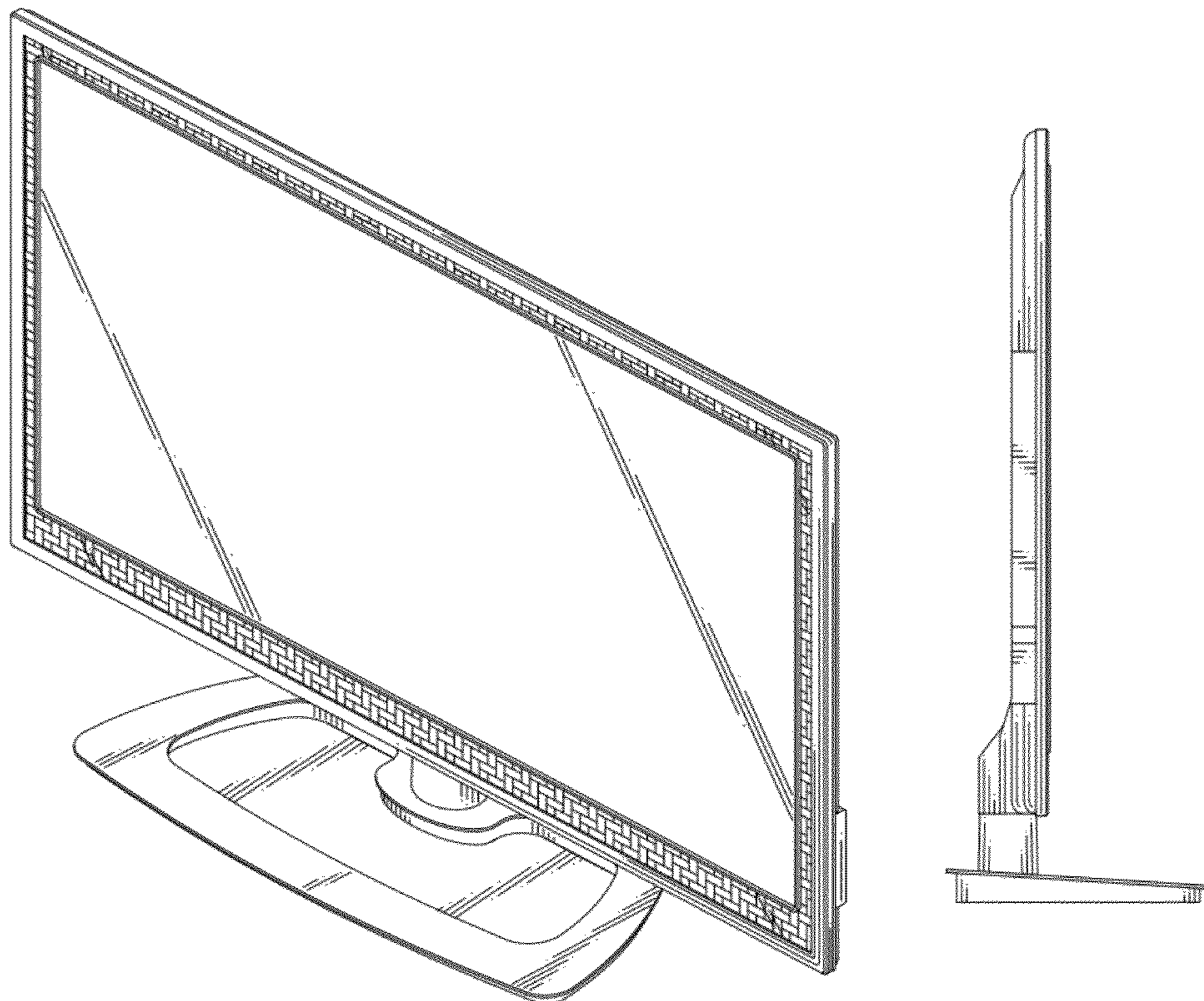
FIG. 1 is a perspective view of display showing the design;
FIG. 2 is a front side view thereof;
FIG. 3 is a rear side view thereof;
FIG. 4 is a left side view thereof;
FIG. 5 is a right side view thereof;
FIG. 6 is a top plan view thereof; and,
FIG. 7 is a bottom plan view thereof.

1 Claim, 5 Drawing Sheets

(56) **References Cited**

U.S. PATENT DOCUMENTS

D517,549 S *	3/2006	Depay	D14/375
D527,356 S *	8/2006	Hoehn	D14/126



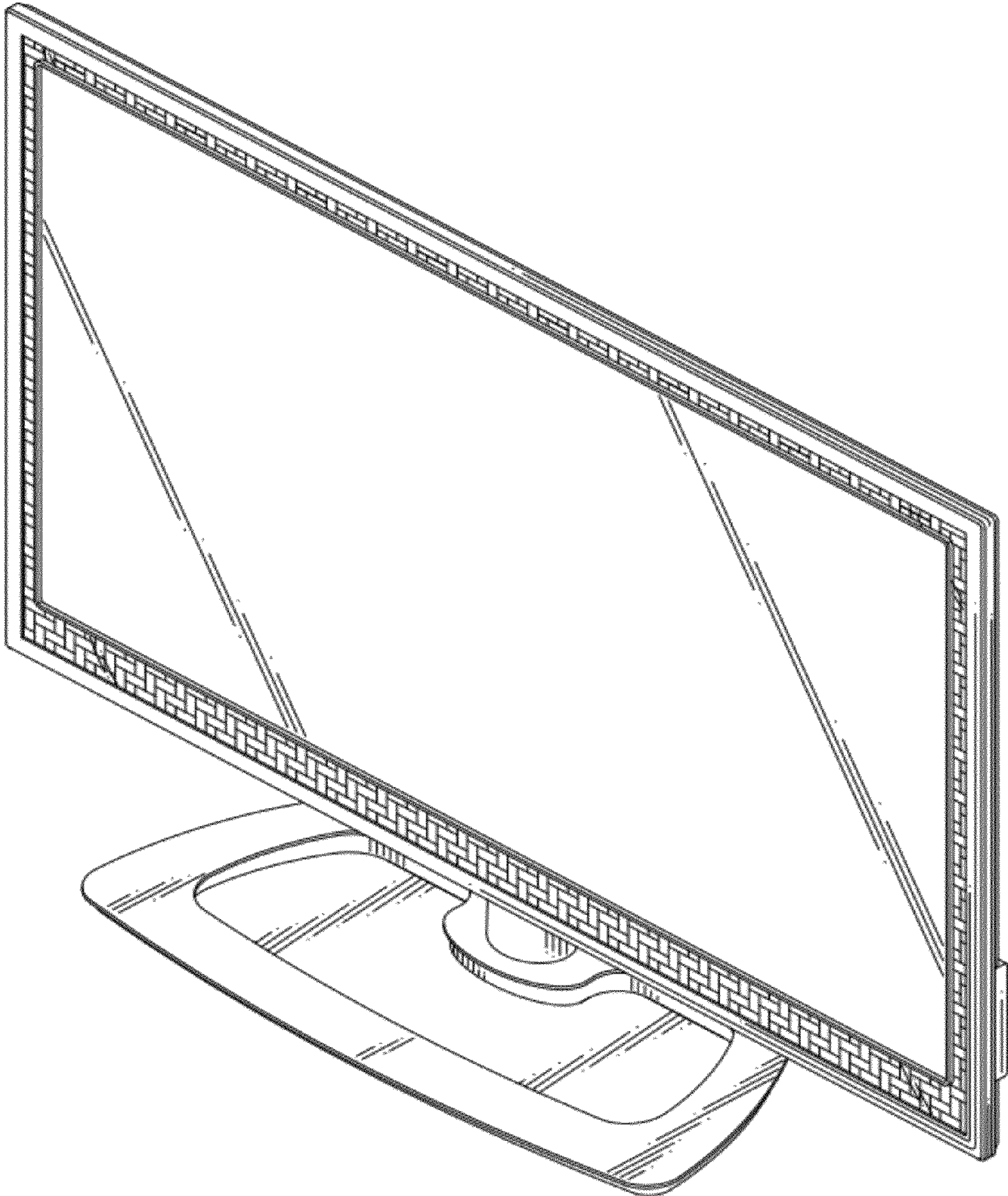


FIG. 1

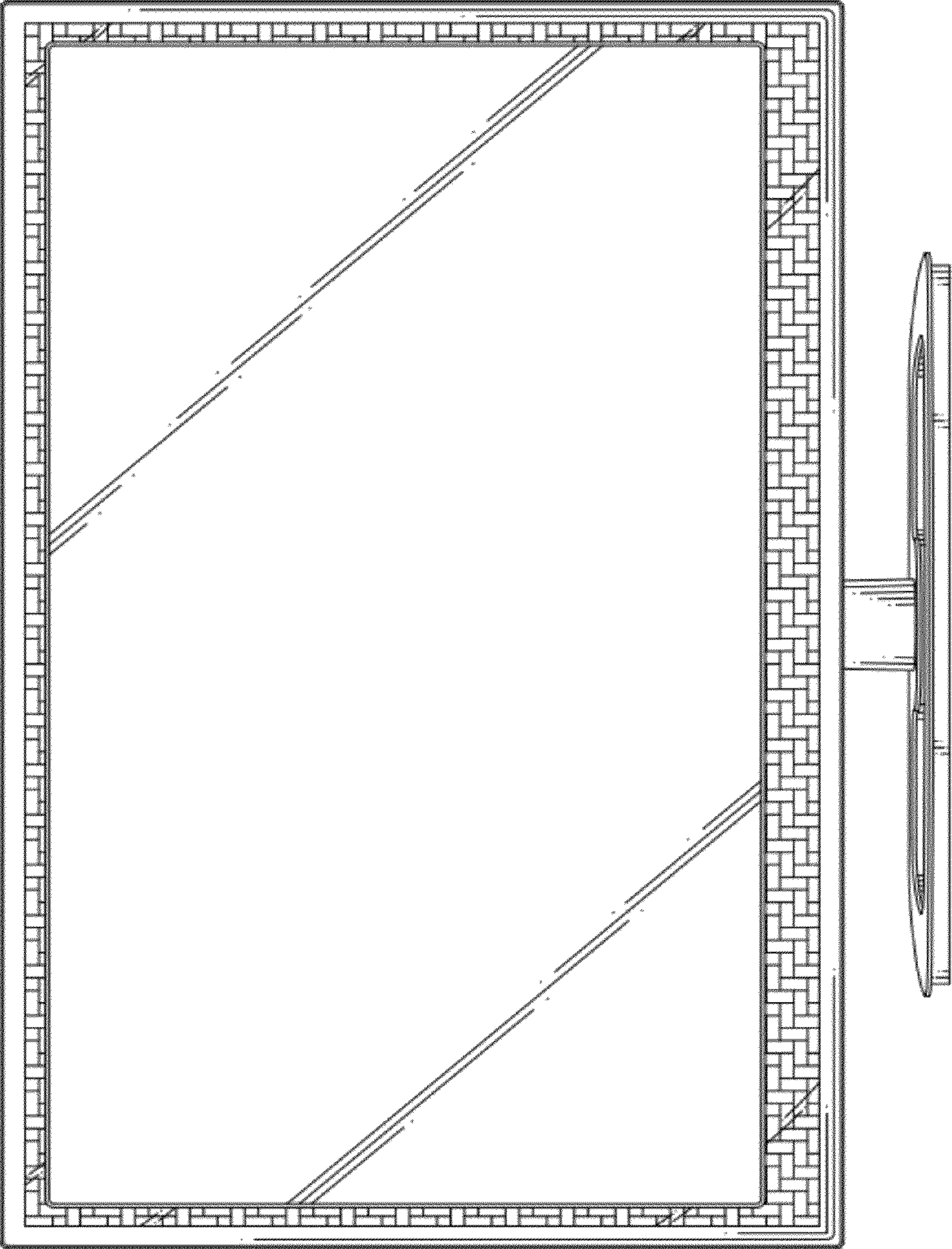


FIG. 2

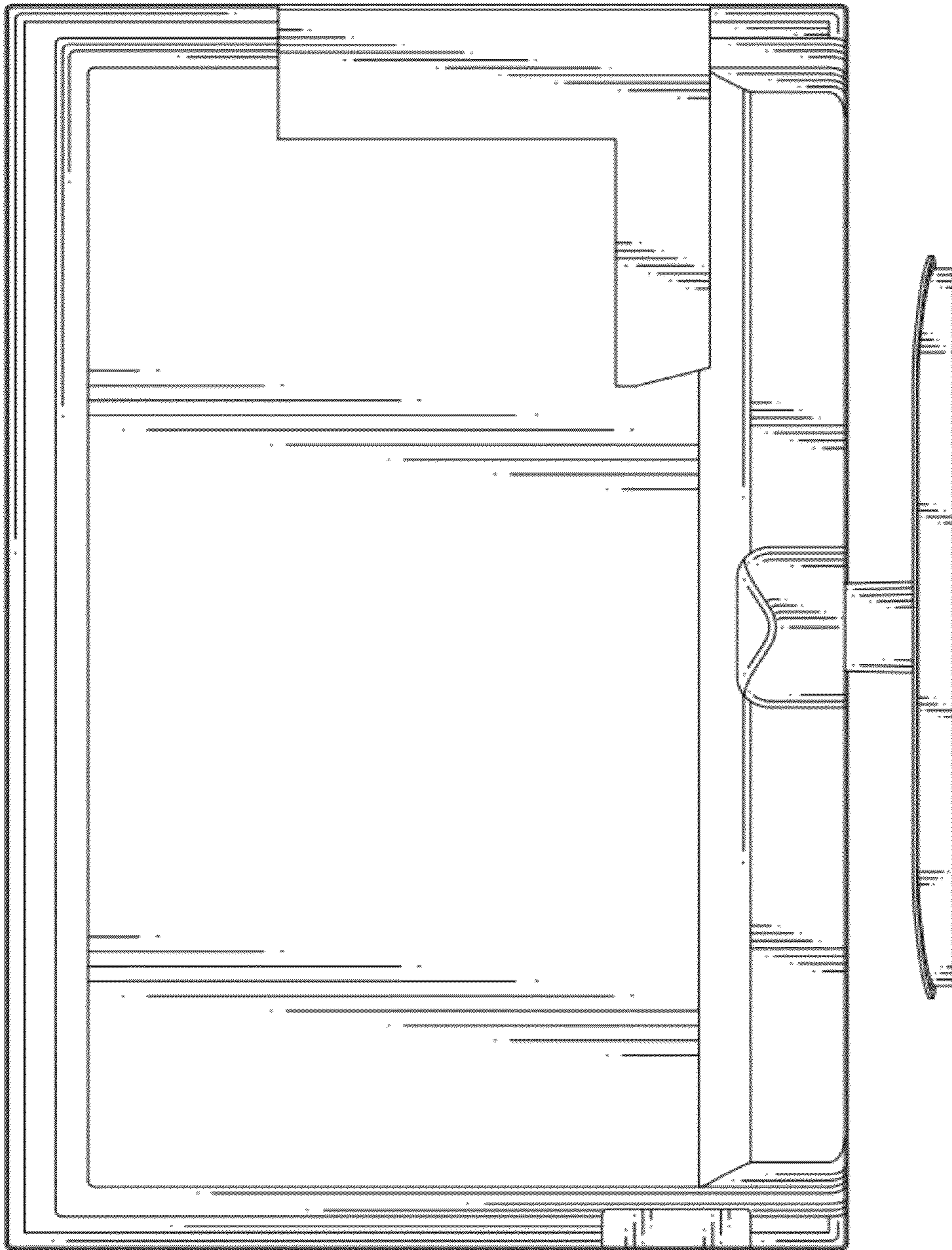


FIG. 3

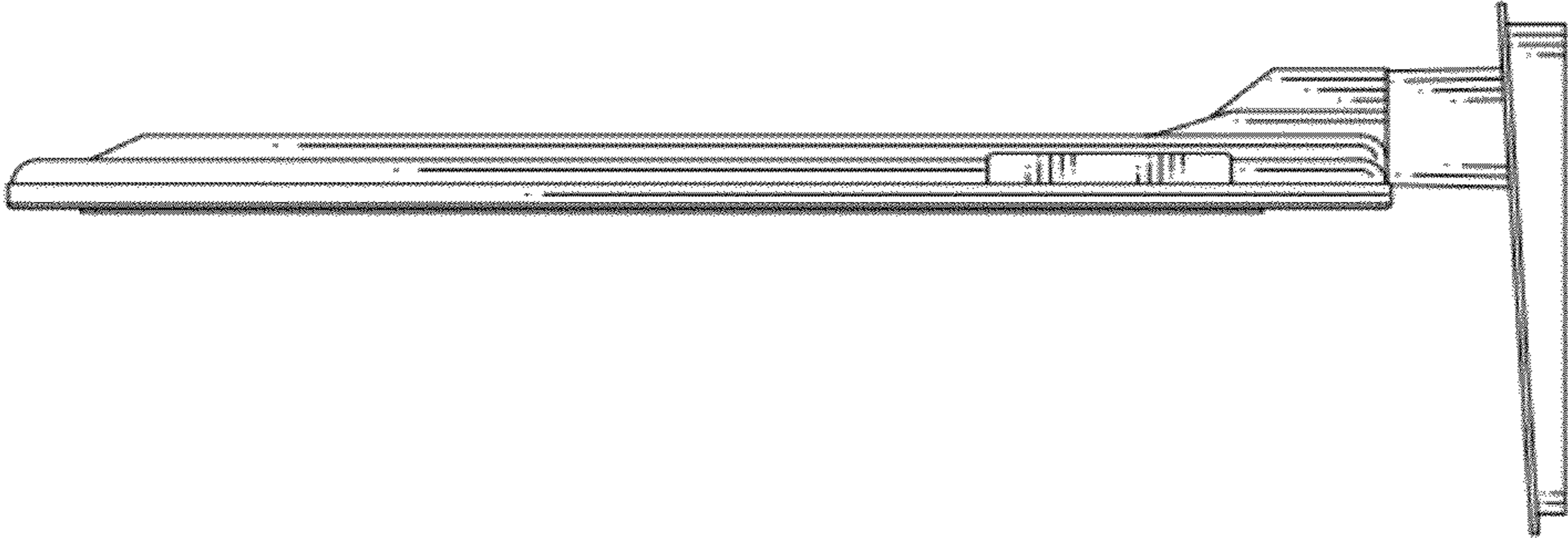


FIG. 5

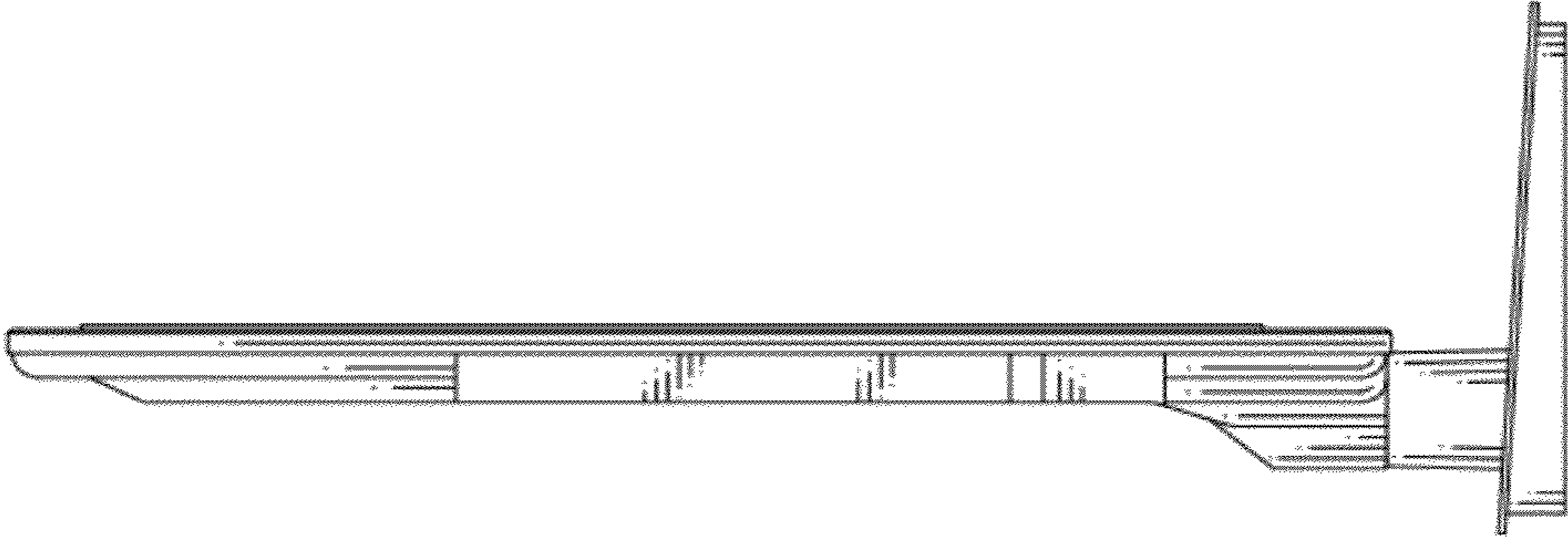


FIG. 4

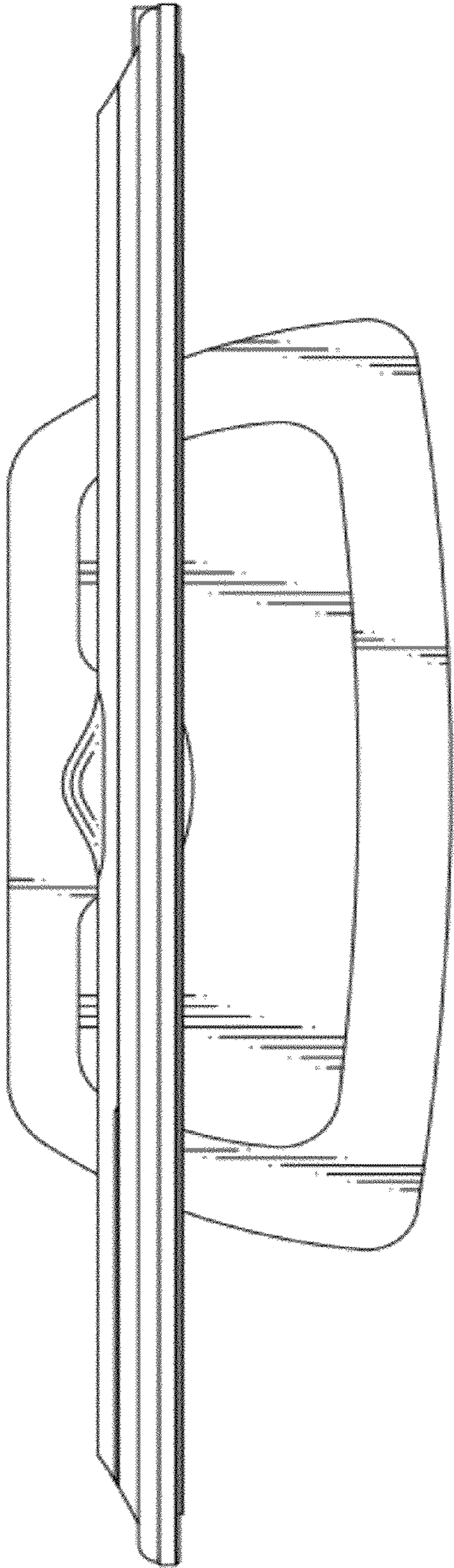


FIG. 6

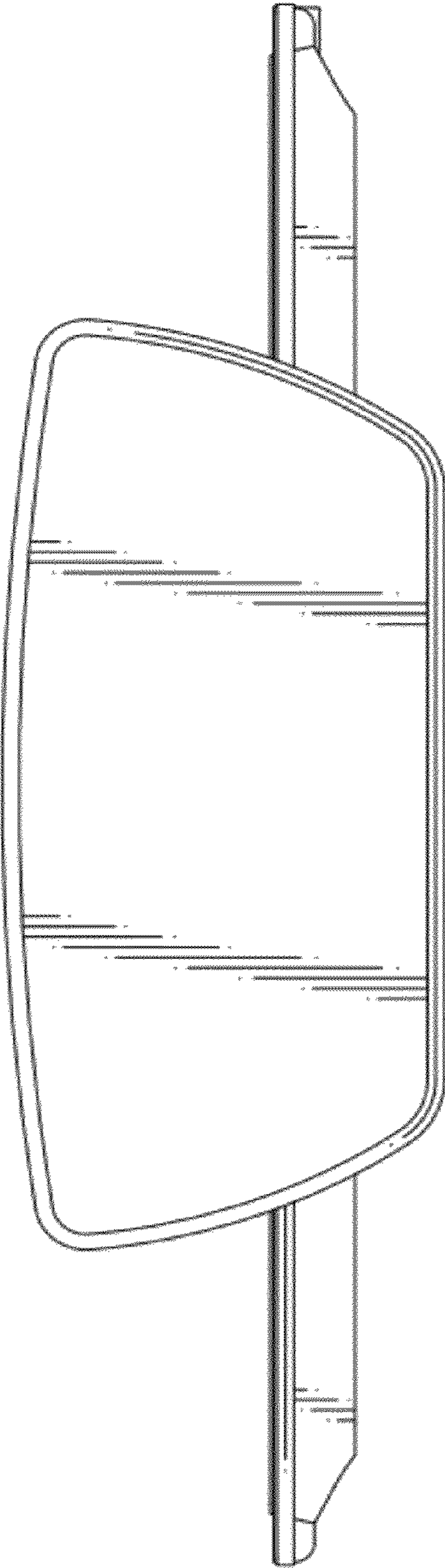


FIG. 7