



US00D661269S

(12) **United States Design Patent**
Lee et al.

(10) **Patent No.:** **US D661,269 S**
(45) **Date of Patent:** **** Jun. 5, 2012**

(54) **TELEVISION RECEIVER**

(75) Inventors: **Yongho Lee**, Seoul (KR); **Jinhee Kim**, Seoul (KR); **Areum Kwon**, Seoul (KR); **Yeonga Lee**, Seoul (KR)

(73) Assignee: **LG Electronics Inc.**, Seoul (KR)

(**) Term: **14 Years**

(21) Appl. No.: **29/409,721**

(22) Filed: **Dec. 28, 2011**

(30) **Foreign Application Priority Data**

Jun. 30, 2011 (KR) 30-2011-0027141

(51) **LOC (9) Cl.** **14-03**

(52) **U.S. Cl.** **D14/126**

(58) **Field of Classification Search** D14/125-134, D14/239, 371, 136, 374-377, 440, 450, 448, D14/336, 342; 312/7.2; 348/836, 838, 180, 348/184, 325, 739; 341/12; 248/917-924, 248/465; 345/104, 133, 156, 168, 87, 173; 720/605, 669, 600, 655; 369/99, 197; 455/344, 455/347; D21/329, 515, 577, 622, 333, 433, D21/448, 452, 450, 331; D6/477, 479, 300; 273/148 B; 446/484, 175, 356; D10/15, D10/26

See application file for complete search history.

(56) **References Cited**

U.S. PATENT DOCUMENTS

D596,596	S	*	7/2009	Honda	D14/126
D609,659	S	*	2/2010	VanDuyn	D14/126
D626,924	S	*	11/2010	Miyaji	D14/126
D637,573	S	*	5/2011	Lee et al.	D14/126
D639,256	S	*	6/2011	Lee et al.	D14/126
D653,636	S	*	2/2012	Lee et al.	D14/126

* cited by examiner

Primary Examiner — Raphael Barkai

(74) *Attorney, Agent, or Firm* — Birch, Stewart, Kolasch & Birch, LLP

(57) **CLAIM**

The ornamental design for a television receiver, as shown and described.

DESCRIPTION

FIG. 1 is a perspective view of a television receiver showing our new design; FIG. 2 is a front view thereof; FIG. 3 is a rear view thereof; FIG. 4 is a left side view thereof; FIG. 5 is a right side view thereof; FIG. 6 is a top plan view thereof; FIG. 7 is a bottom plan view thereof; FIG. 8 is a top plan view thereof showing the state that the display part has been swivelled slightly rightwards; and, FIG. 9 is a rear perspective view thereof.

1 Claim, 8 Drawing Sheets

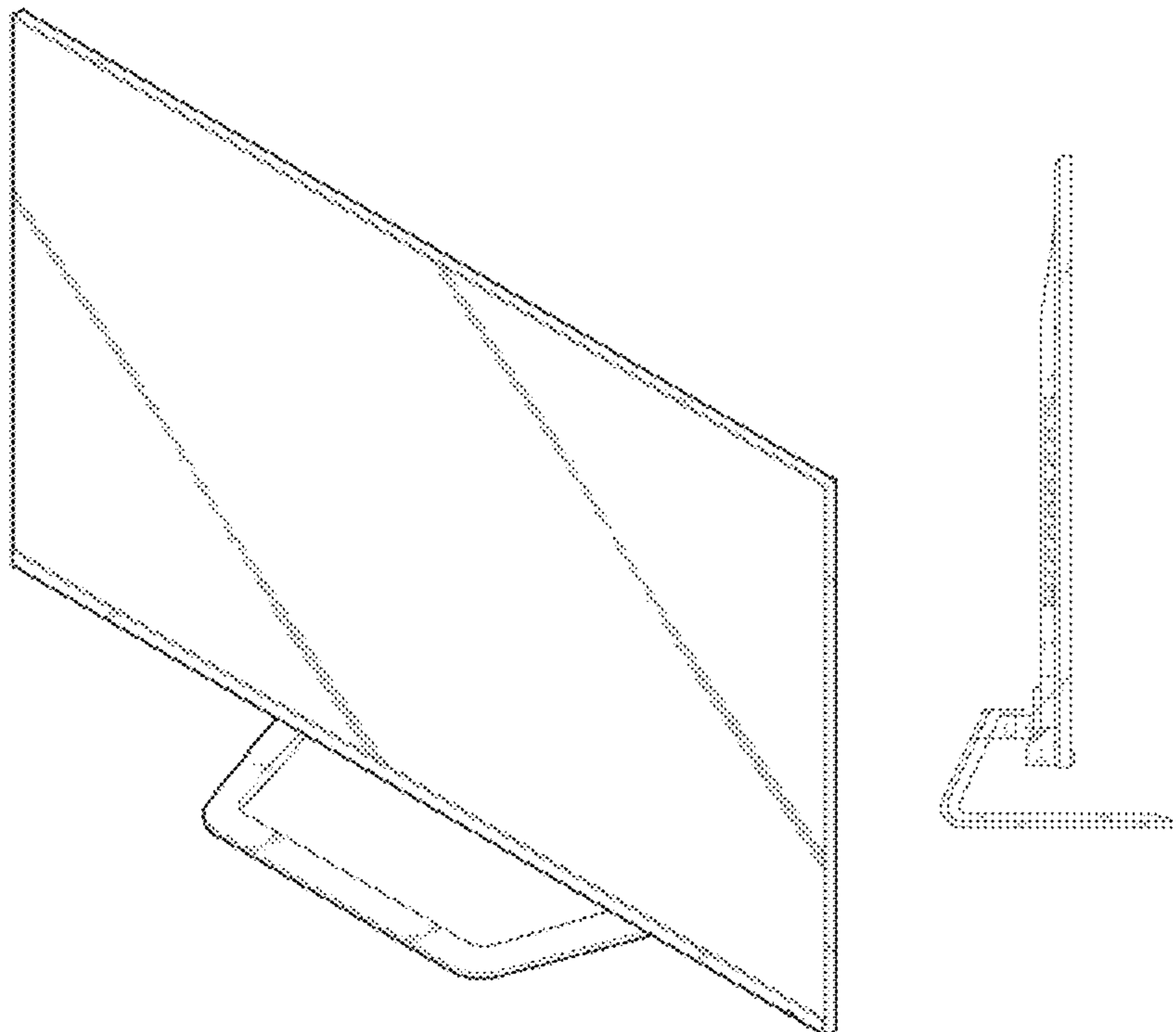


FIG. 1

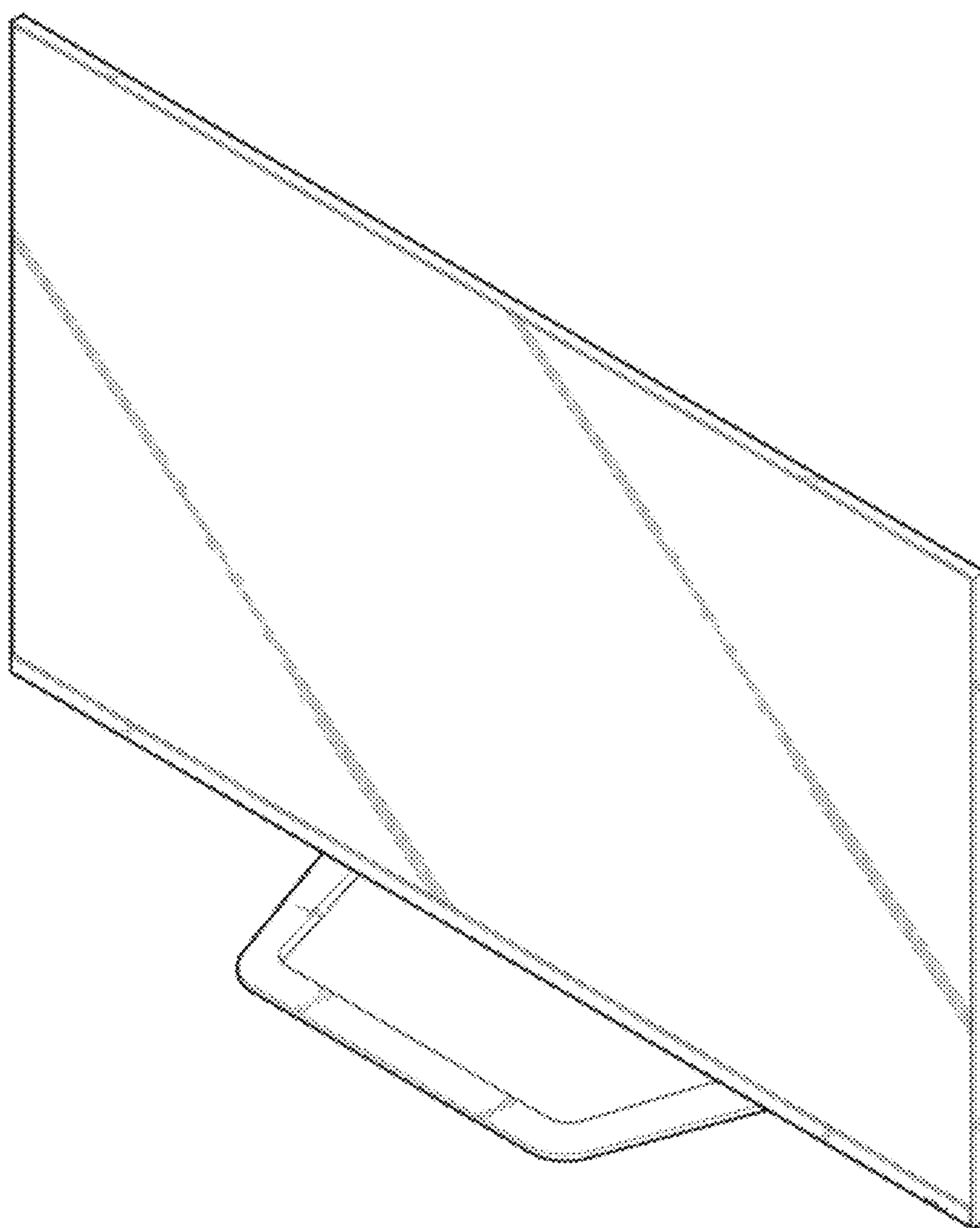


FIG. 2

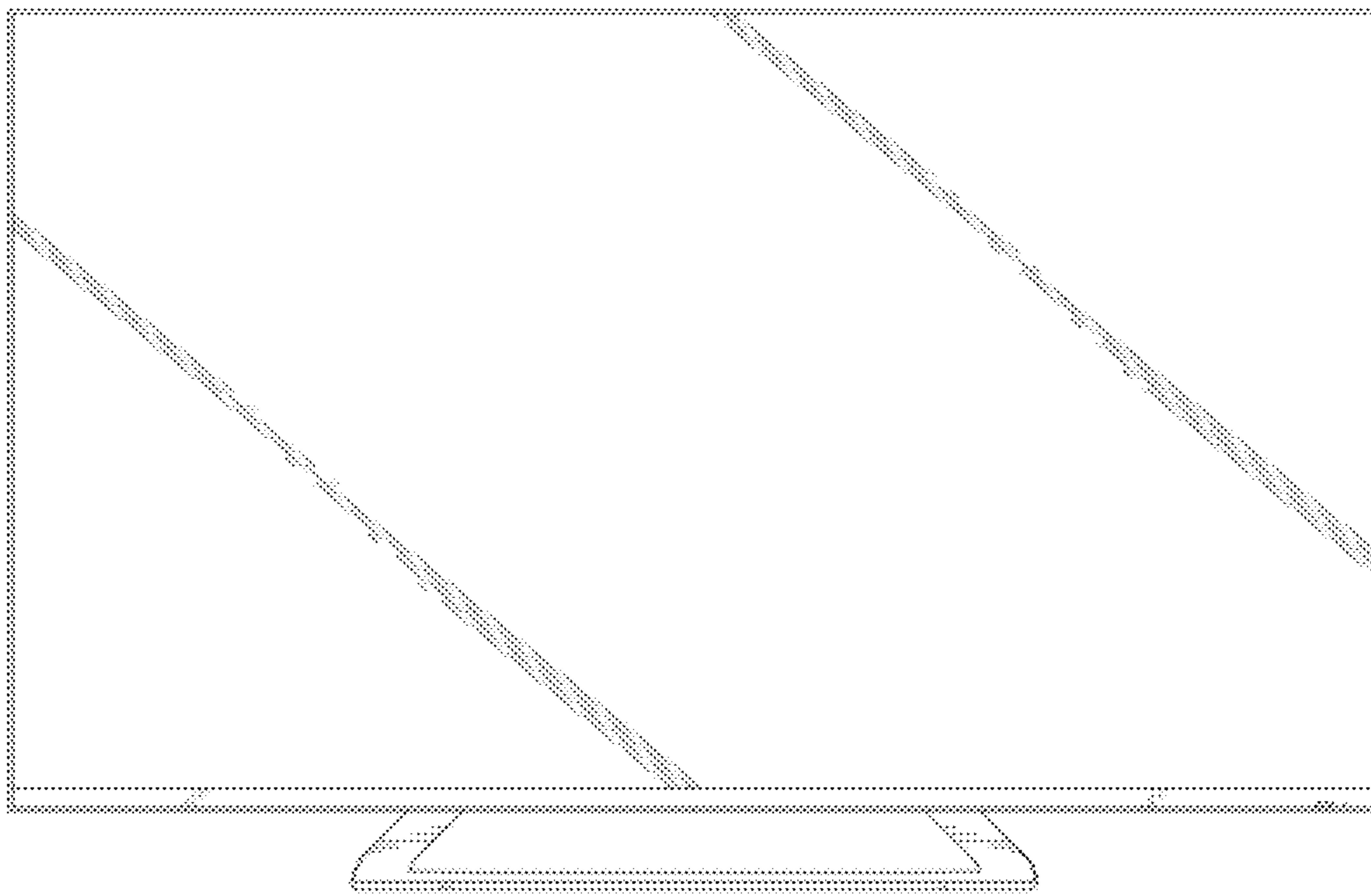


FIG. 3

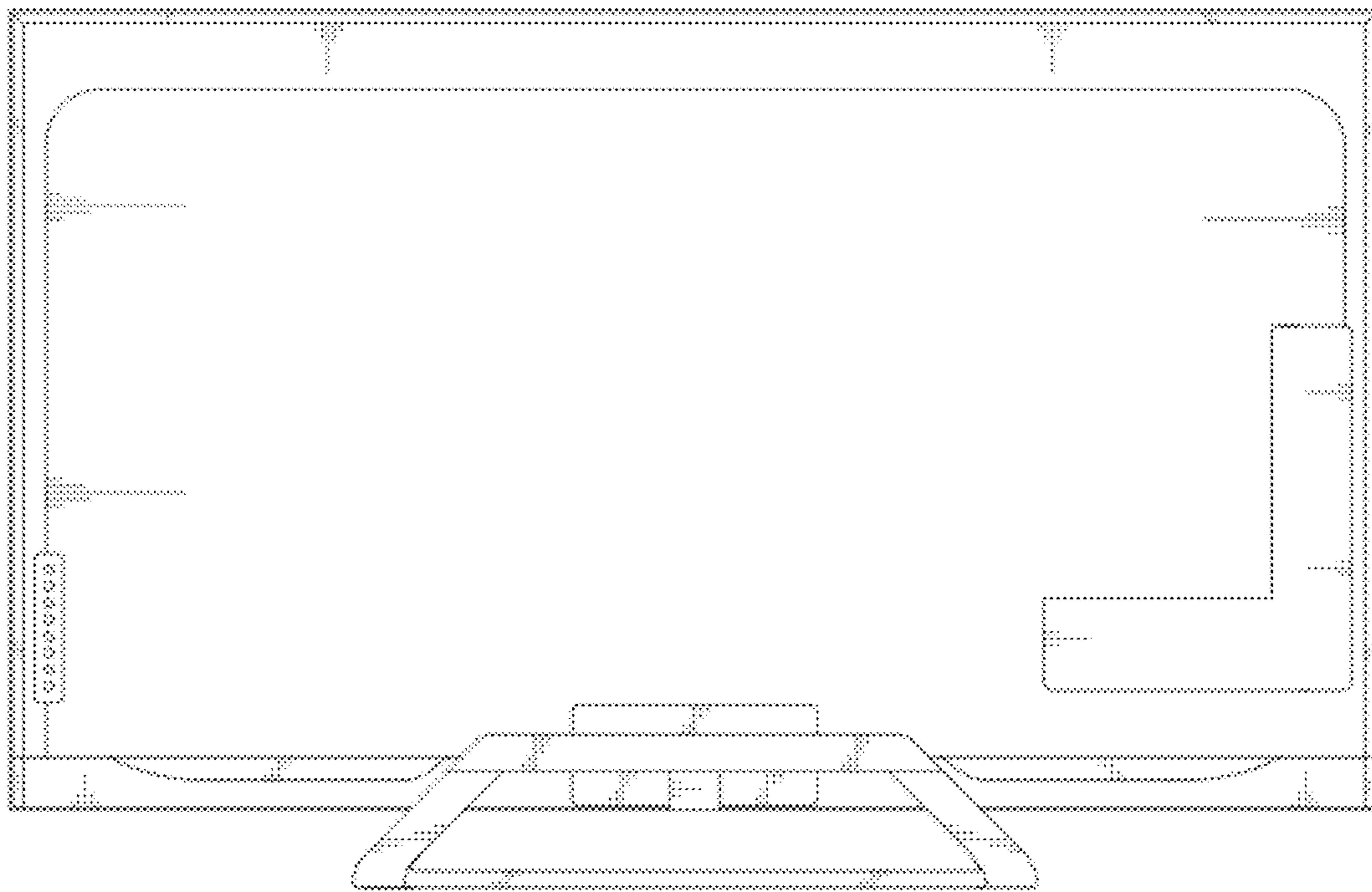


FIG. 4

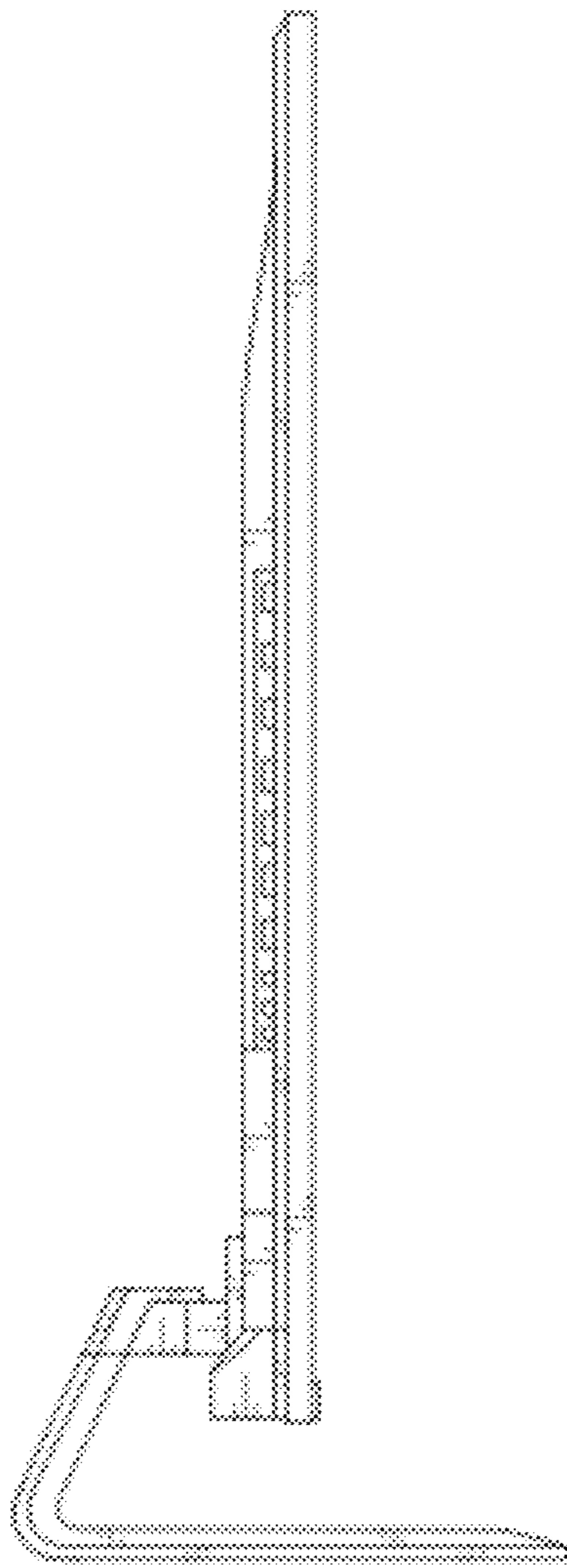


FIG. 5

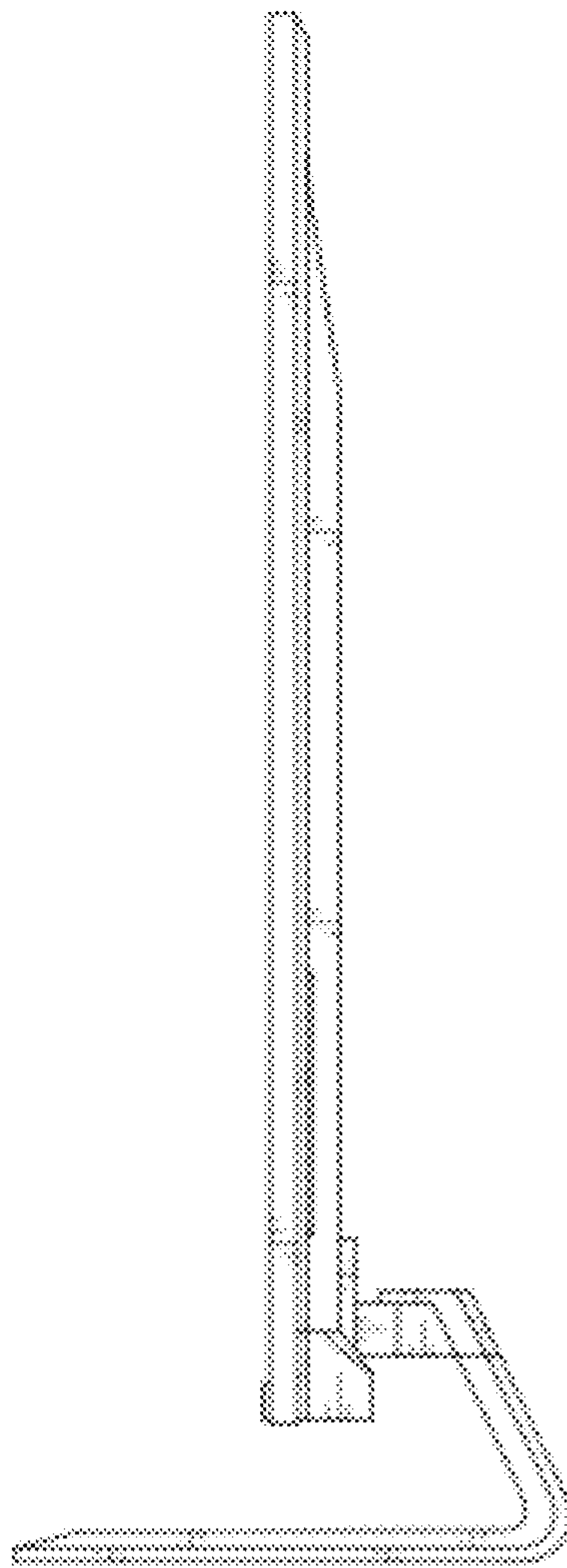


FIG. 6

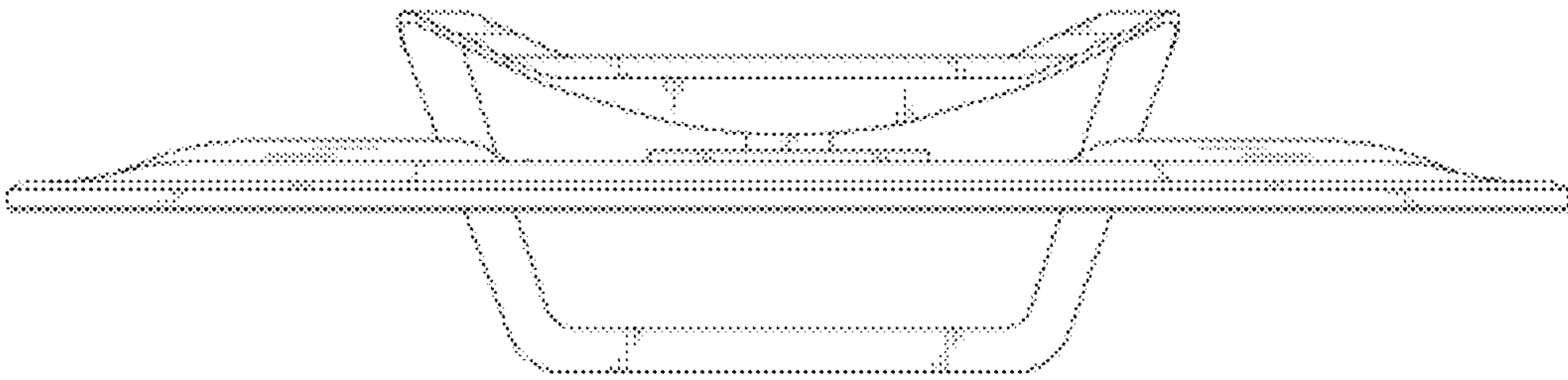


FIG. 7



FIG. 8

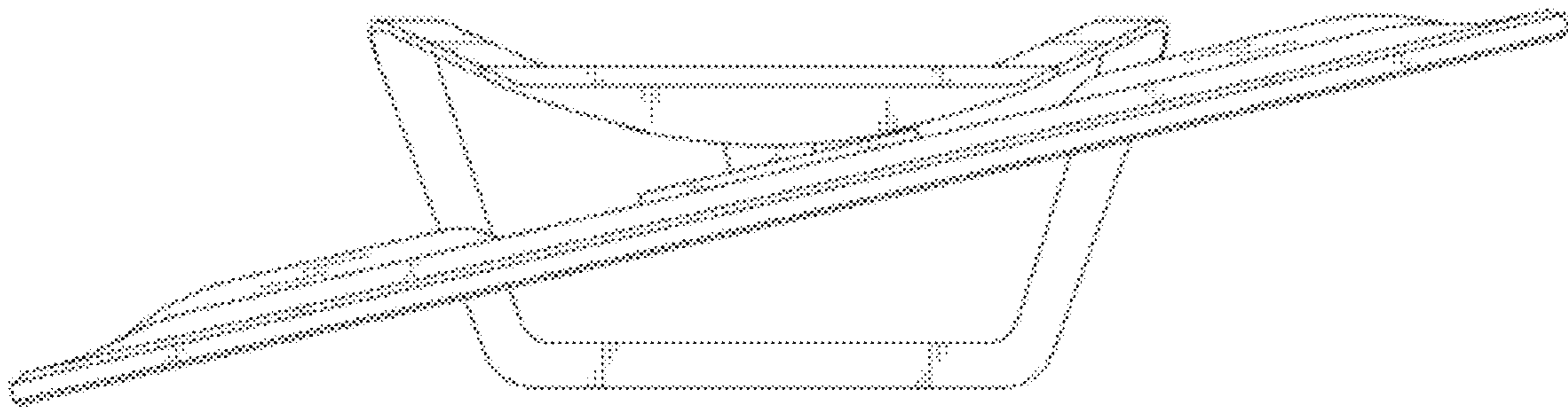


FIG. 9

