



US00D661265S

(12) **United States Design Patent**
Kajiya et al.

(10) **Patent No.:** **US D661,265 S**
(45) **Date of Patent:** **** Jun. 5, 2012**

(54) **FLEXIBLE PRINTED CIRCUIT BOARD**

(75) Inventors: **Atsushi Kajiya**, Tokyo (JP); **Hidekazu Yoshihara**, Tokyo (JP)

(73) Assignee: **Nippon Mektron, Ltd.**, Tokyo (JP)

(**) Term: **14 Years**

(21) Appl. No.: **29/371,188**

(22) Filed: **Nov. 17, 2010**

(30) **Foreign Application Priority Data**

May 19, 2010 (JP) D2010-012326

(51) **LOC (9) Cl.** **13-03**

(52) **U.S. Cl.** **D13/182**

(58) **Field of Classification Search** D13/155,
D13/182; D6/495; D8/376, 377; D9/424,
D9/425, 426, 427, 430, 432; D12/133; D11/3,
D11/25; D26/3, 72, 74, 76, 78, 113, 118,
D26/119, 120, 130, 138; D25/120, 121,
D25/122, 124, 164; D22/142; 59/80; 138/156,
138/157, 158, 159; 174/68.1, 68.3, 250,
174/254; 347/42, 49, 50; 362/217.05, 217.1,
362/240, 341; 264/46.4; 428/118, 122, 131,
428/134, 136

See application file for complete search history.

(56) **References Cited**

U.S. PATENT DOCUMENTS

D31,600 S * 10/1899 Terry D25/121
1,817,034 A * 8/1931 Hotchkin 174/72 C
1,928,432 A * 9/1933 Murton 52/40
1,932,986 A * 10/1933 Powell 43/18.1 R
2,369,006 A * 2/1945 Banks 156/221
2,959,256 A * 11/1960 Deam 52/236.1
3,402,521 A * 9/1968 Tischuk 52/460
D298,858 S * 12/1988 Andersson et al. D25/164
4,833,568 A * 5/1989 Berhold 361/690
4,990,948 A * 2/1991 Sasaki et al. 396/542

5,519,578 A * 5/1996 Fujii 361/749
5,586,004 A * 12/1996 Green et al. 361/699
5,962,809 A * 10/1999 Duvall et al. 174/37
6,644,008 B2 * 11/2003 Rosenwasser et al. 59/80
D485,777 S * 1/2004 Baghdassarian et al. D11/3
6,778,389 B1 * 8/2004 Glovatsky et al. 361/690
6,818,161 B2 * 11/2004 Tokoro et al. 264/45.4
6,983,770 B2 * 1/2006 Kondou et al. 138/177
7,180,736 B2 * 2/2007 Glovatsky et al. 361/688
7,270,462 B2 * 9/2007 Yu et al. 362/609
7,304,240 B1 * 12/2007 Gretz 174/72 A
7,660,126 B2 * 2/2010 Cho et al. 361/749
D611,563 S * 3/2010 Sjoberg D22/142
7,682,053 B2 * 3/2010 Shen 362/373
7,862,198 B2 * 1/2011 Shyu et al. 362/192
7,918,580 B2 * 4/2011 Liu 362/218
7,976,196 B2 * 7/2011 Ivey et al. 362/294
2004/0080569 A1 * 4/2004 Silverbrook et al. 347/42
2009/0059585 A1 * 3/2009 Chen et al. 362/235
2009/0175404 A1 * 7/2009 Singh et al. 376/272
2010/0043220 A1 * 2/2010 O'Farrell et al. 29/825
2011/0024160 A1 * 2/2011 Quan et al. 174/254
2011/0176297 A1 * 7/2011 Hsia et al. 362/217.1

* cited by examiner

Primary Examiner — Selina Sikder

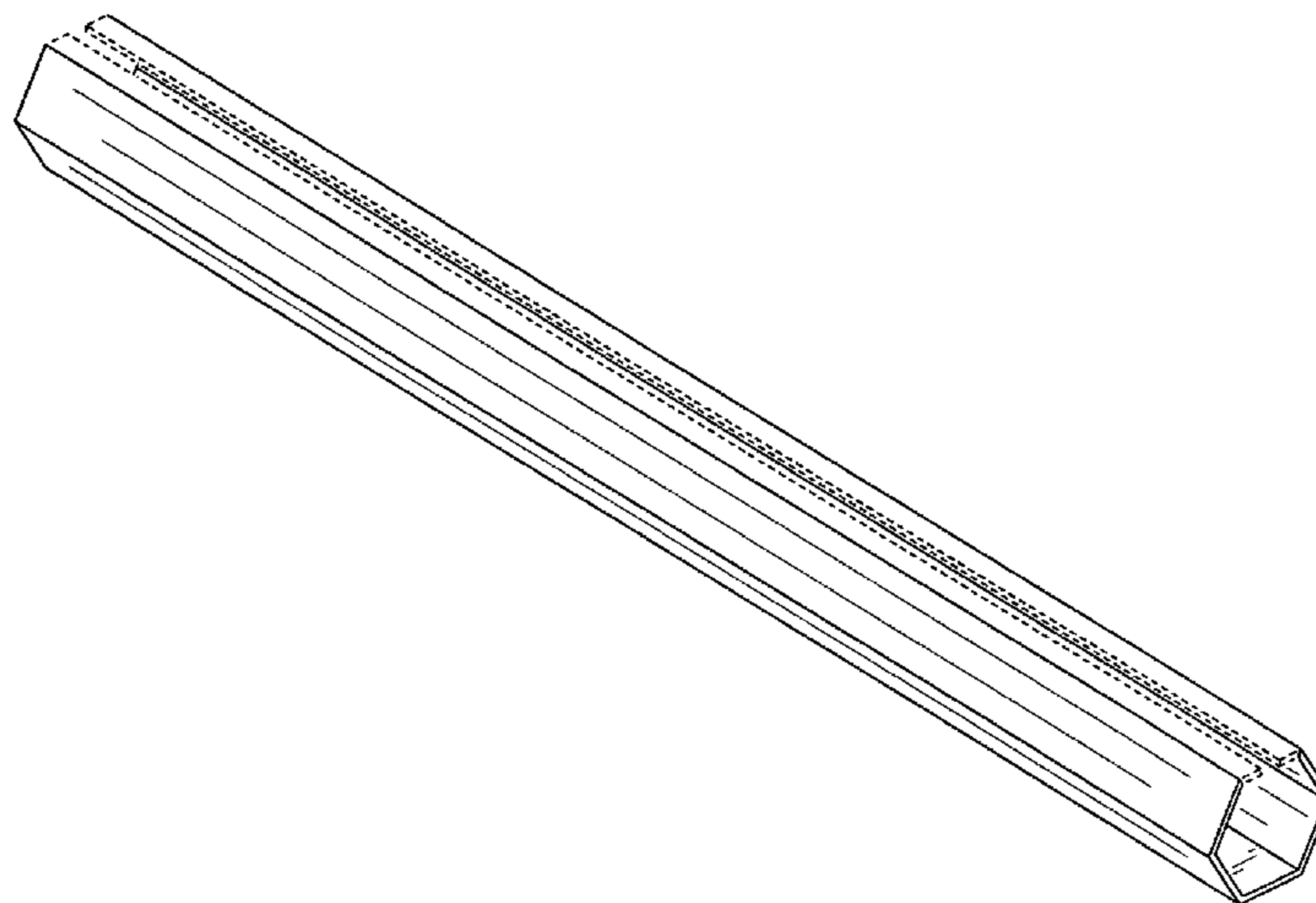
(57) **CLAIM**

The ornamental design for a flexible printed circuit board, as shown and described.

DESCRIPTION

FIG. 1 is a perspective view of a flexible printed circuit board showing our new design;
FIG. 2 is a front elevational view thereof, a rear elevational view thereof being a mirror image;
FIG. 3 is a right side elevational view thereof, a left side elevational view thereof being a mirror image;
FIG. 4 is a top plan view thereof; and
FIG. 5 is a bottom plan view thereof; and,
FIG. 6 is a sectional view thereof along the line 6-6 of FIG. 2.
The portions in broken lines are for illustrative purposes only and form no part of the claimed design.

1 Claim, 3 Drawing Sheets



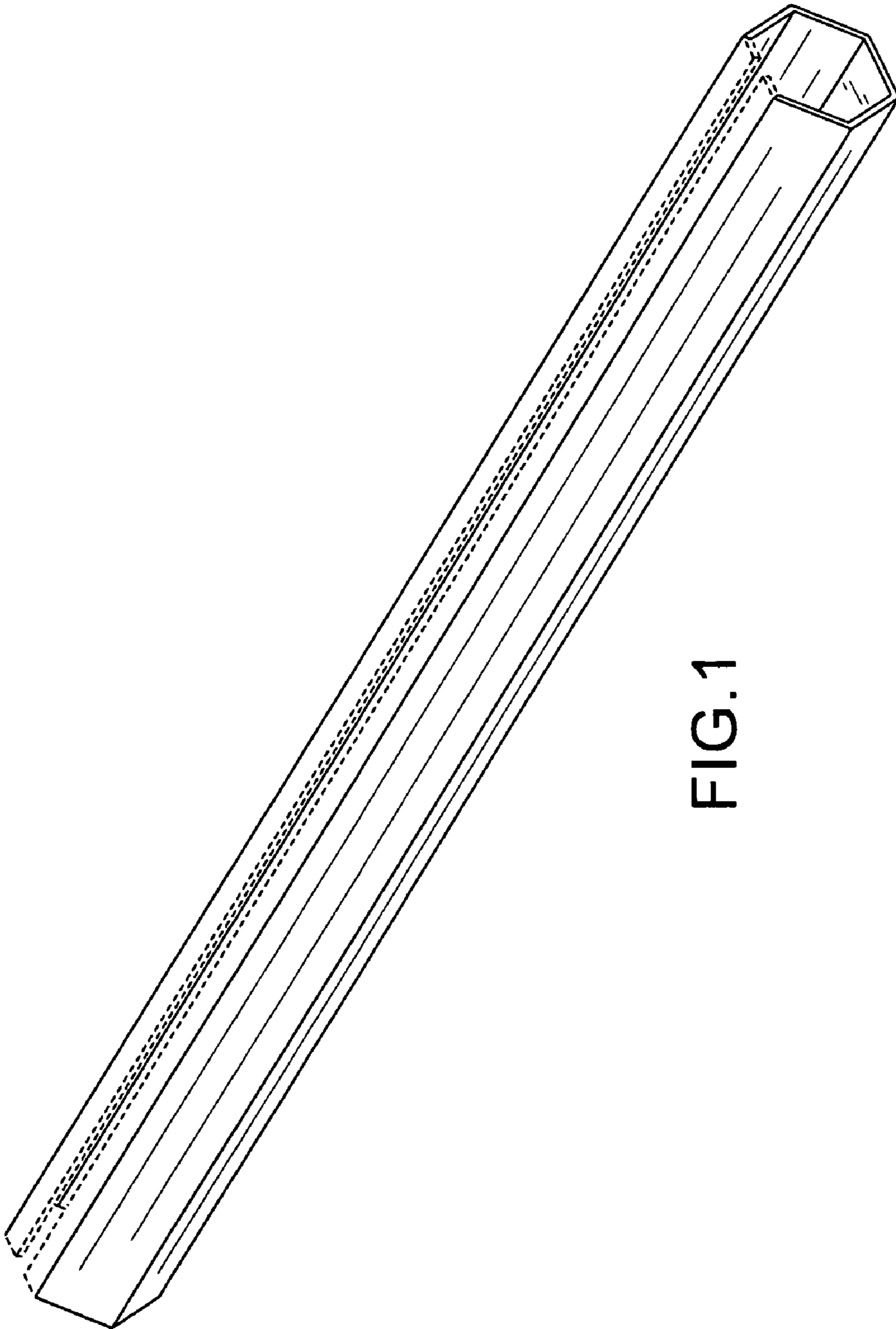
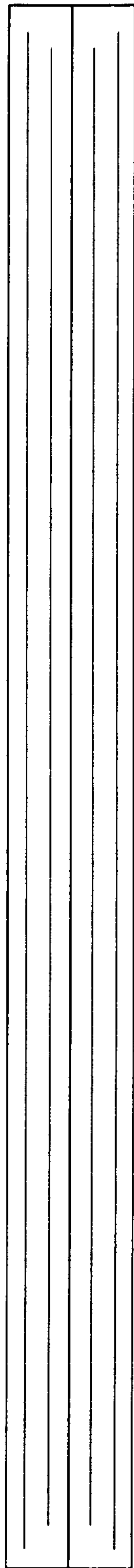


FIG. 1

6 ←



6 ←

FIG. 2

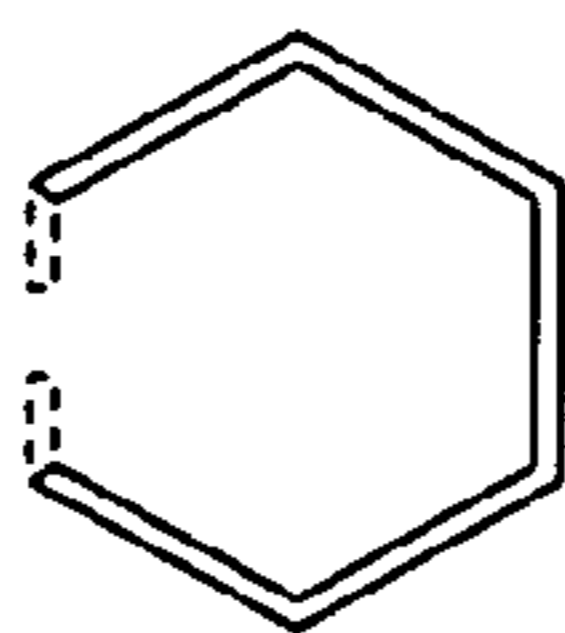


FIG. 3

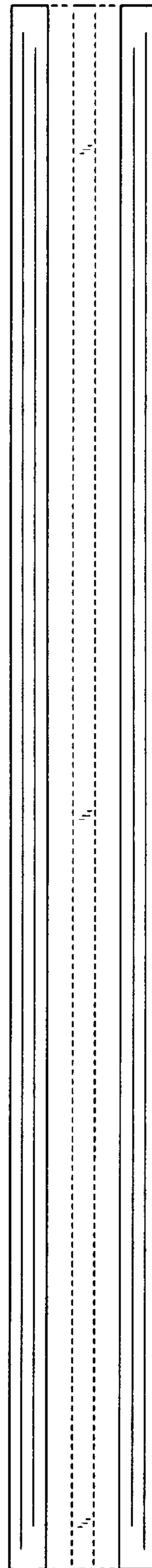


FIG. 4

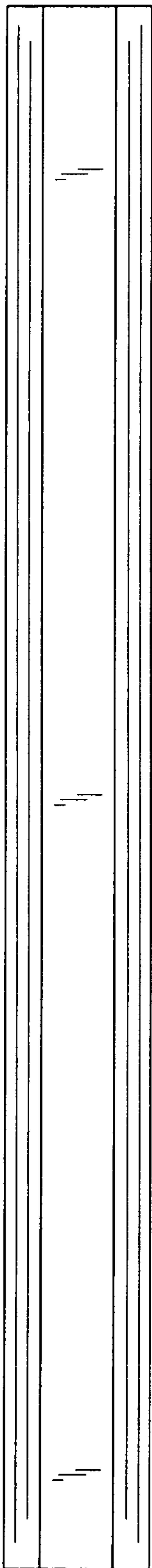


FIG. 5

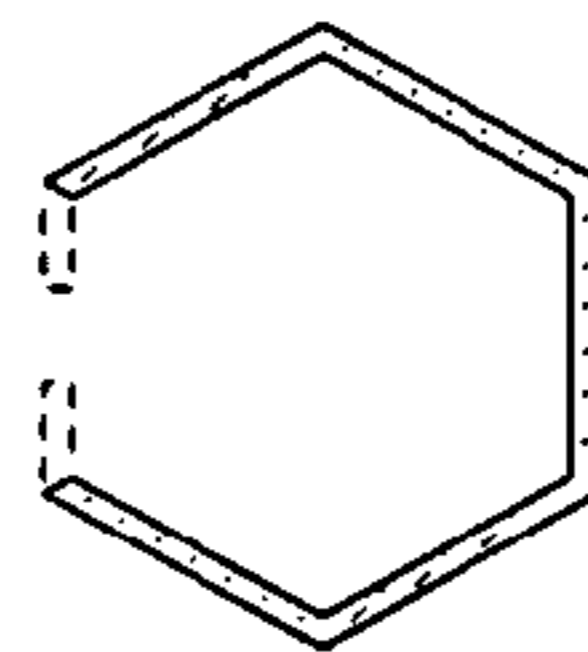


FIG. 6