



US00D661263S

(12) **United States Design Patent**
Okuwaki

(10) **Patent No.:** **US D661,263 S**
(45) **Date of Patent:** **** Jun. 5, 2012**

- (54) **LIGHT-EMITTING DIODE**
- (75) Inventor: **Masaki Okuwaki**, Fujiyoshida (JP)
- (73) Assignee: **Citizen Electronics Co., Ltd.**,
Yamanashi (JP)
- (**) Term: **14 Years**
- (21) Appl. No.: **29/402,163**
- (22) Filed: **Sep. 21, 2011**

Related U.S. Application Data

- (62) Division of application No. 29/364,101, filed on Jun. 18, 2010, now Pat. No. Des. 647,068.

(30) **Foreign Application Priority Data**

- May 13, 2008 (JP) 2008-011893
- May 13, 2008 (JP) 2008-011894
- Oct. 8, 2008 (JP) 2008-025906
- Oct. 8, 2008 (JP) 2008-025907

- (51) **LOC (9) Cl.** **13-03**
 - (52) **U.S. Cl.** **D13/180**
 - (58) **Field of Classification Search** D13/180;
D26/1, 2; 257/79, 80, 81, 88, 89, 95, 98,
257/99, 100, E33.058; 313/483, 498, 500;
362/555, 800
- See application file for complete search history.

(56) **References Cited**

U.S. PATENT DOCUMENTS

- D476,960 S 7/2003 Fukasawa et al.
- D478,879 S 8/2003 Imai
- 6,984,539 B2* 1/2006 Yoon 438/29

- D565,514 S 4/2008 Cho
- D590,354 S 4/2009 Tsuchiya et al.
- D623,611 S 9/2010 Okuwaki
- 7,804,102 B2* 9/2010 Kadotani et al. 257/98
- D628,166 S 11/2010 Okuwaki
- D647,068 S * 10/2011 Okuwaki D13/180
- D647,865 S * 11/2011 Miyashita D13/180
- 2002/0149314 A1 10/2002 Takahashi et al.
- 2006/0284207 A1 12/2006 Park et al.

OTHER PUBLICATIONS

2003 Citizen Electronics Products, Citizens Electronics Co., Ltd., pp. 1-4.

* cited by examiner

Primary Examiner — Selina Sikder

(74) *Attorney, Agent, or Firm* — Browdy and Neimark, PLLC

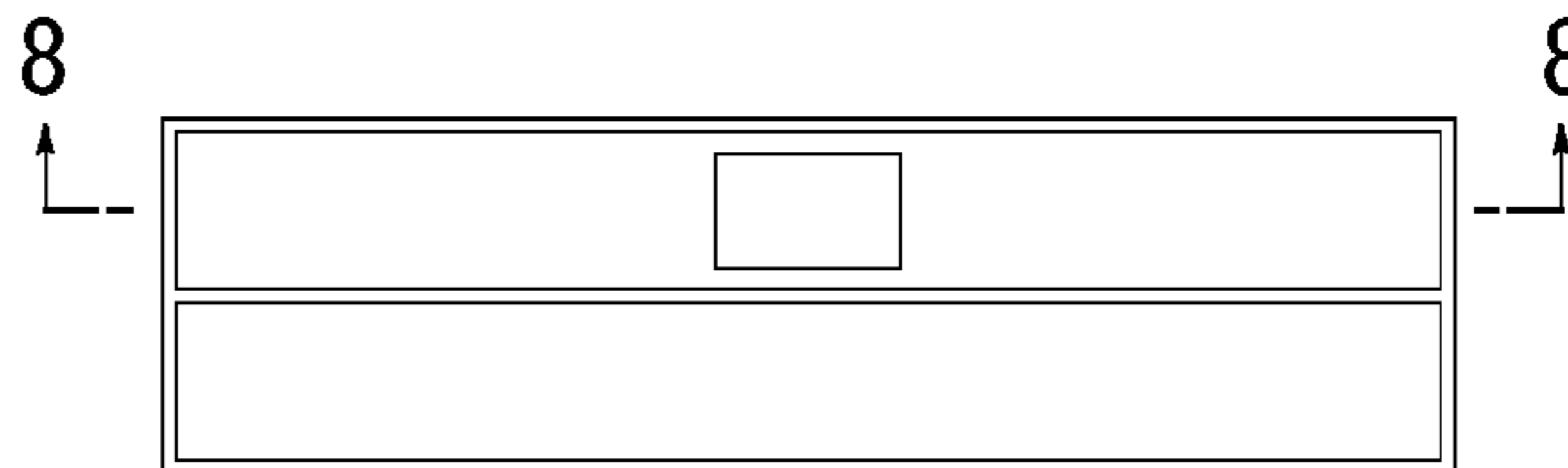
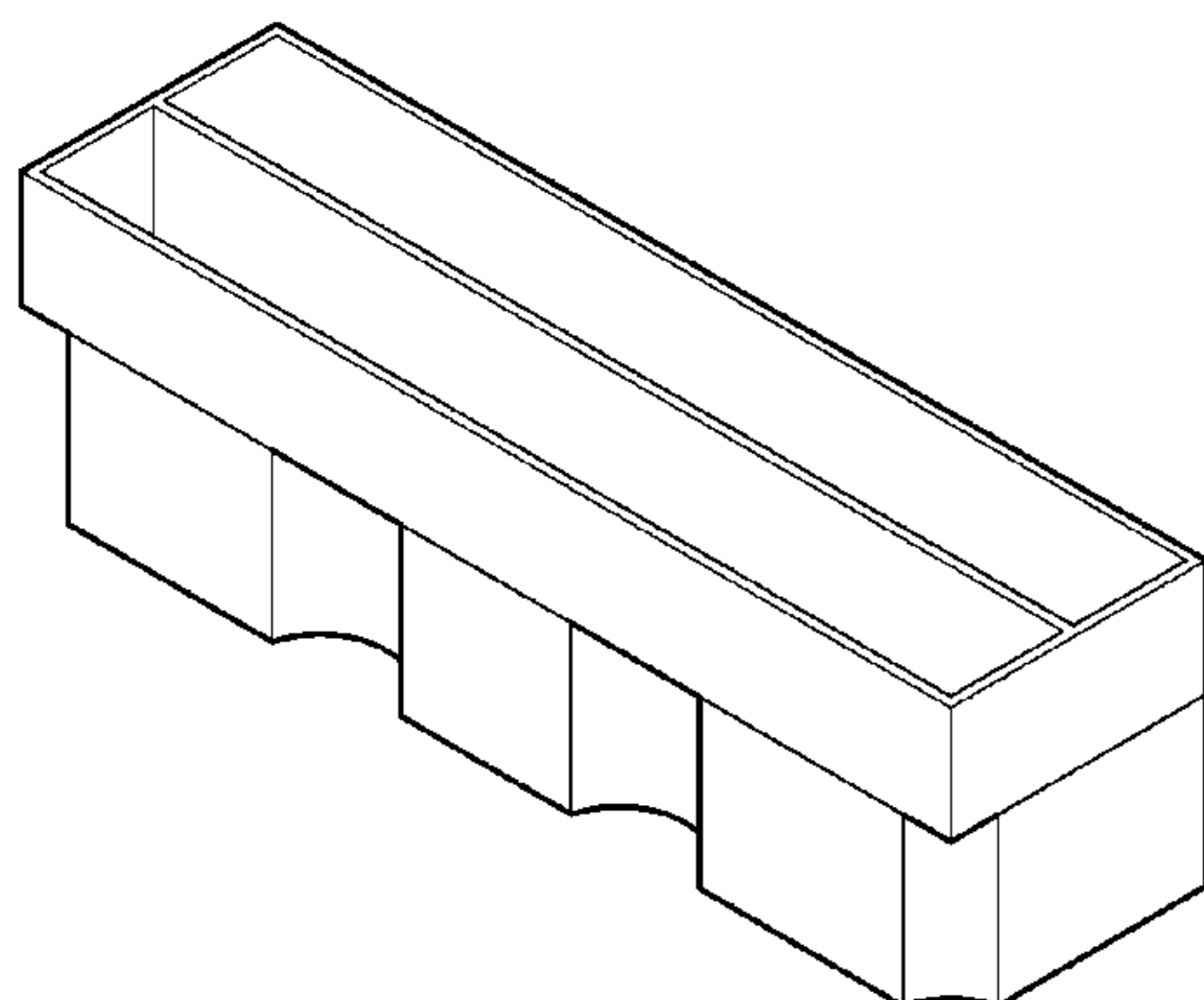
(57) **CLAIM**

The ornamental design for a light-emitting diode, as shown and described here.

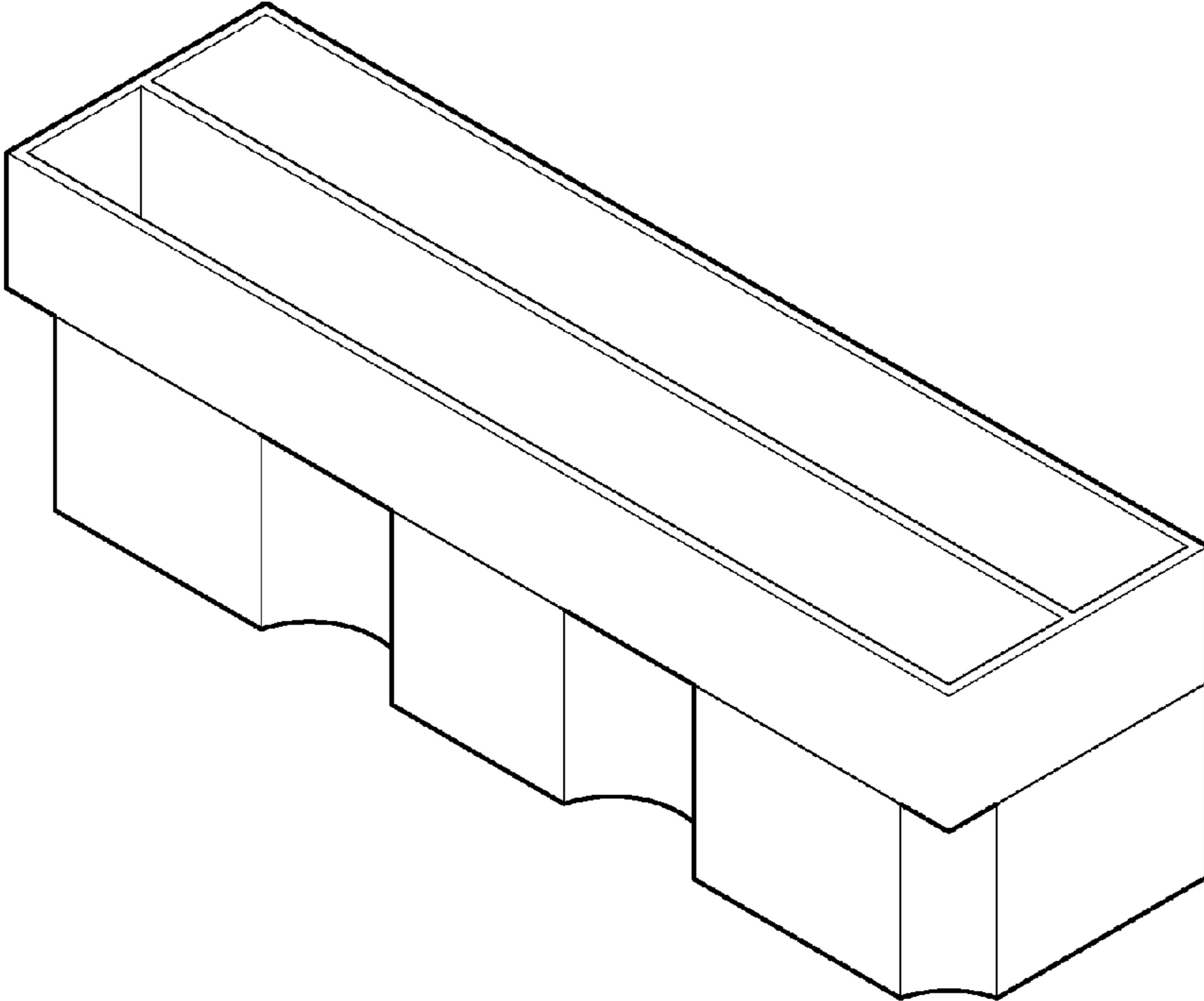
DESCRIPTION

FIG. 1 is a perspective view of the light-emitting diode in accordance with my new design, showing an upper surface and side surfaces thereof as viewed from diagonally above; FIG. 2 is a perspective view thereof, showing a bottom surface and side surfaces thereof as viewed from diagonally above; FIG. 3 is a front elevation view thereof; FIG. 4 is a rear elevation view thereof; FIG. 5 is a top plan view thereof; FIG. 6 is a bottom plan view thereof; FIG. 7 is a left side elevation view thereof, the right side being a mirror image thereof; and, FIG. 8 is a cross-sectional view taken along line 8-8 in FIG. 5.

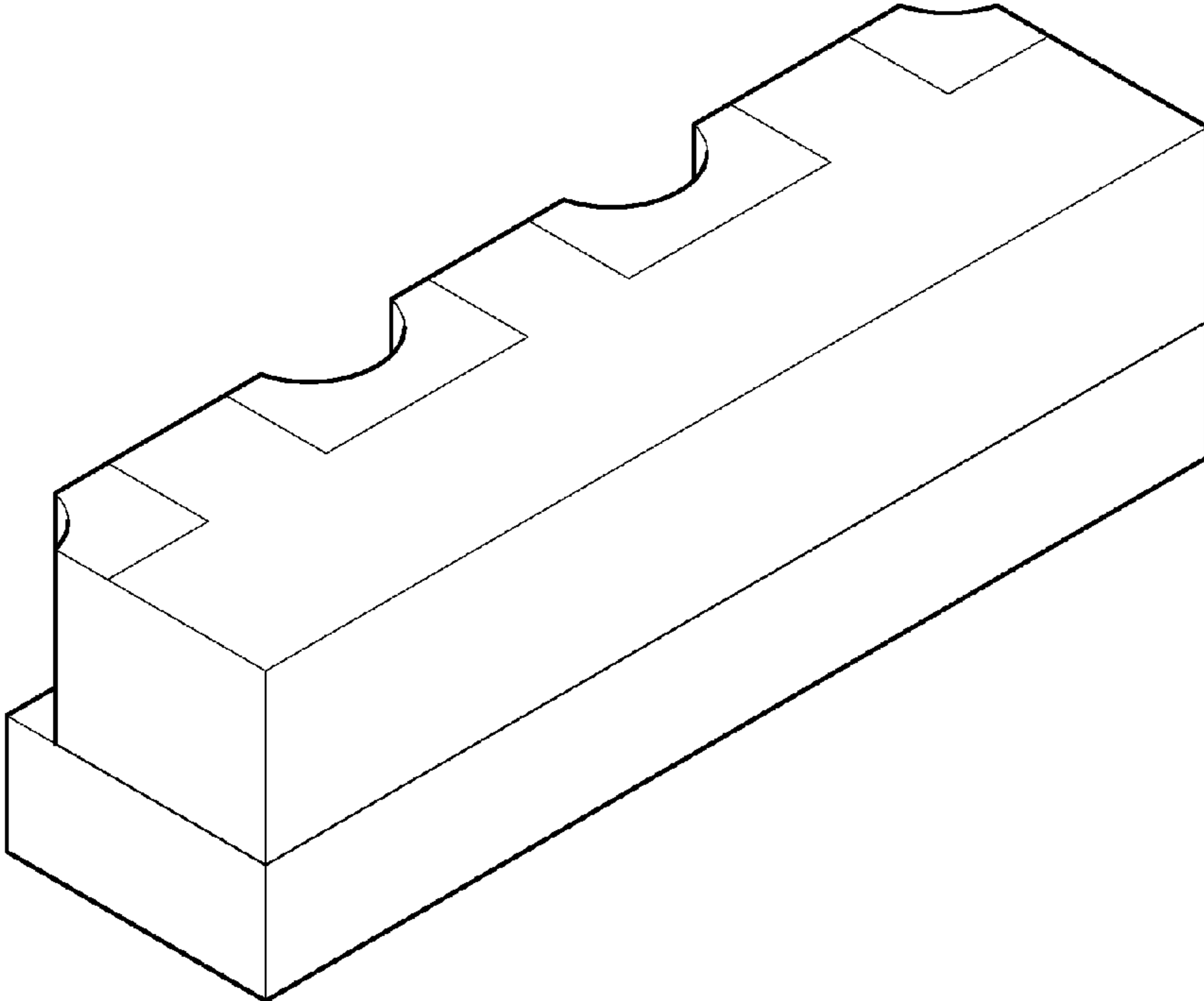
1 Claim, 3 Drawing Sheets



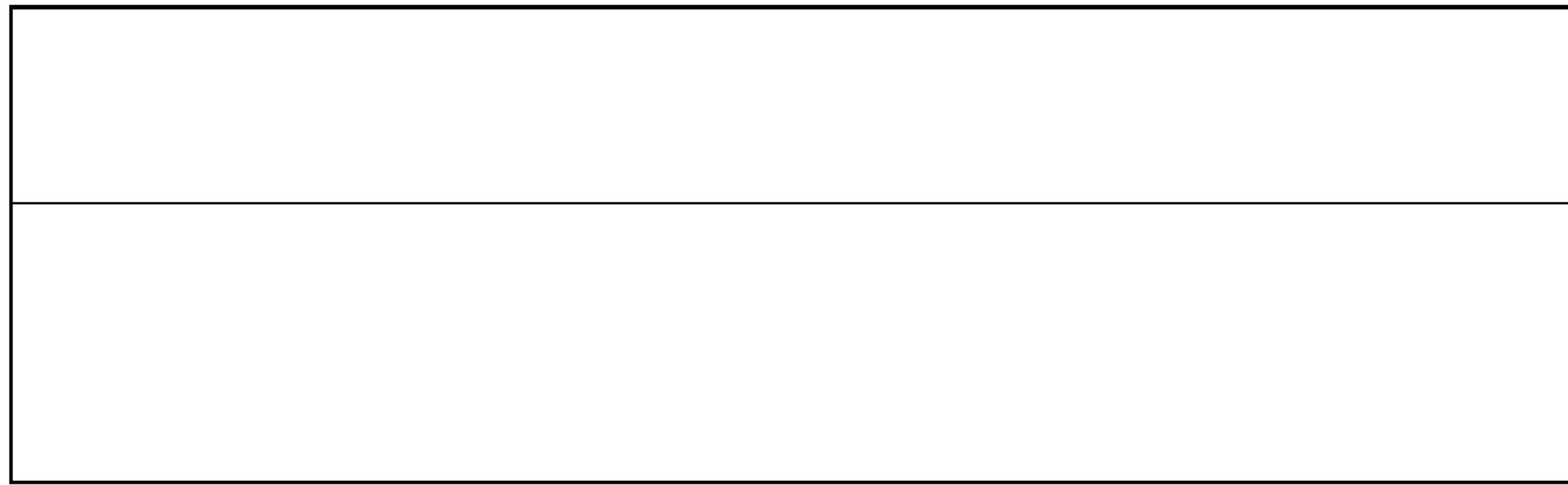
F i g . 1



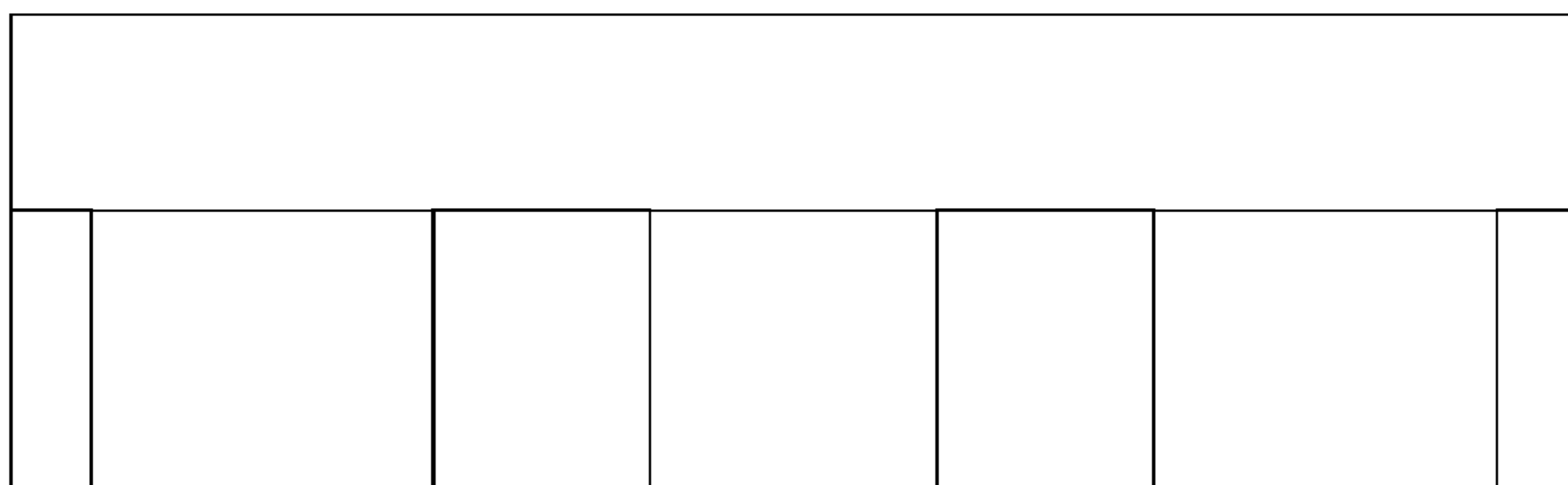
F i g . 2



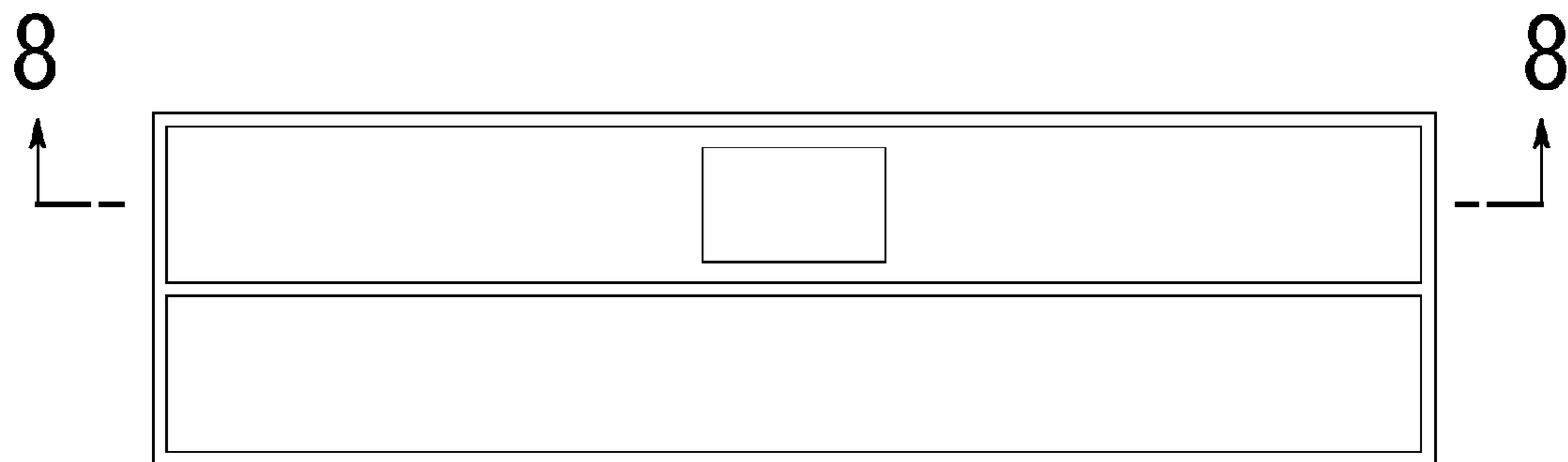
F i g . 3



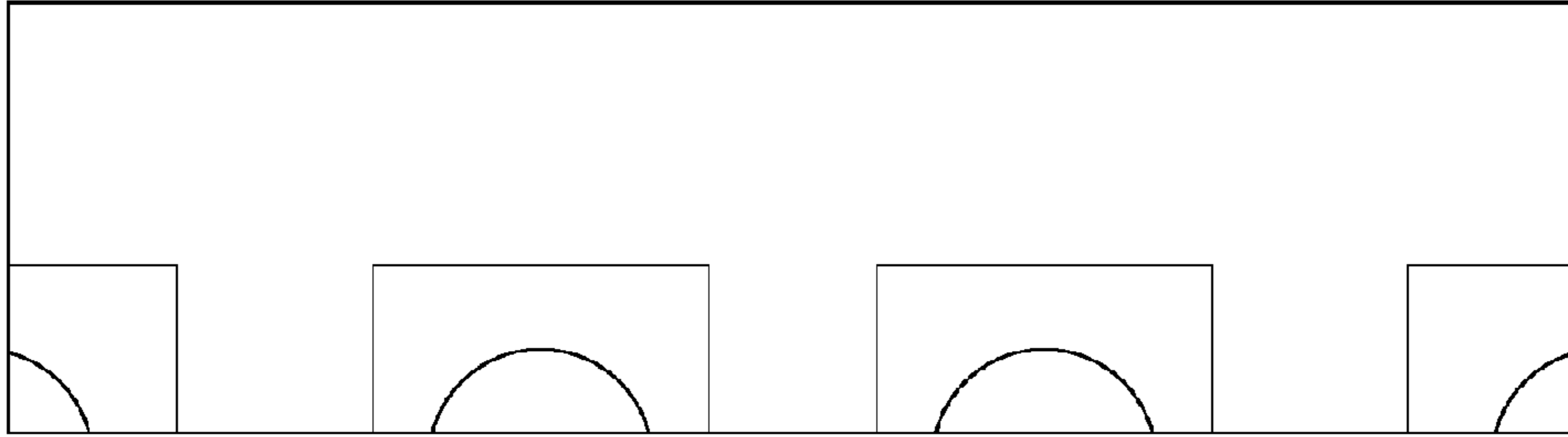
F i g . 4



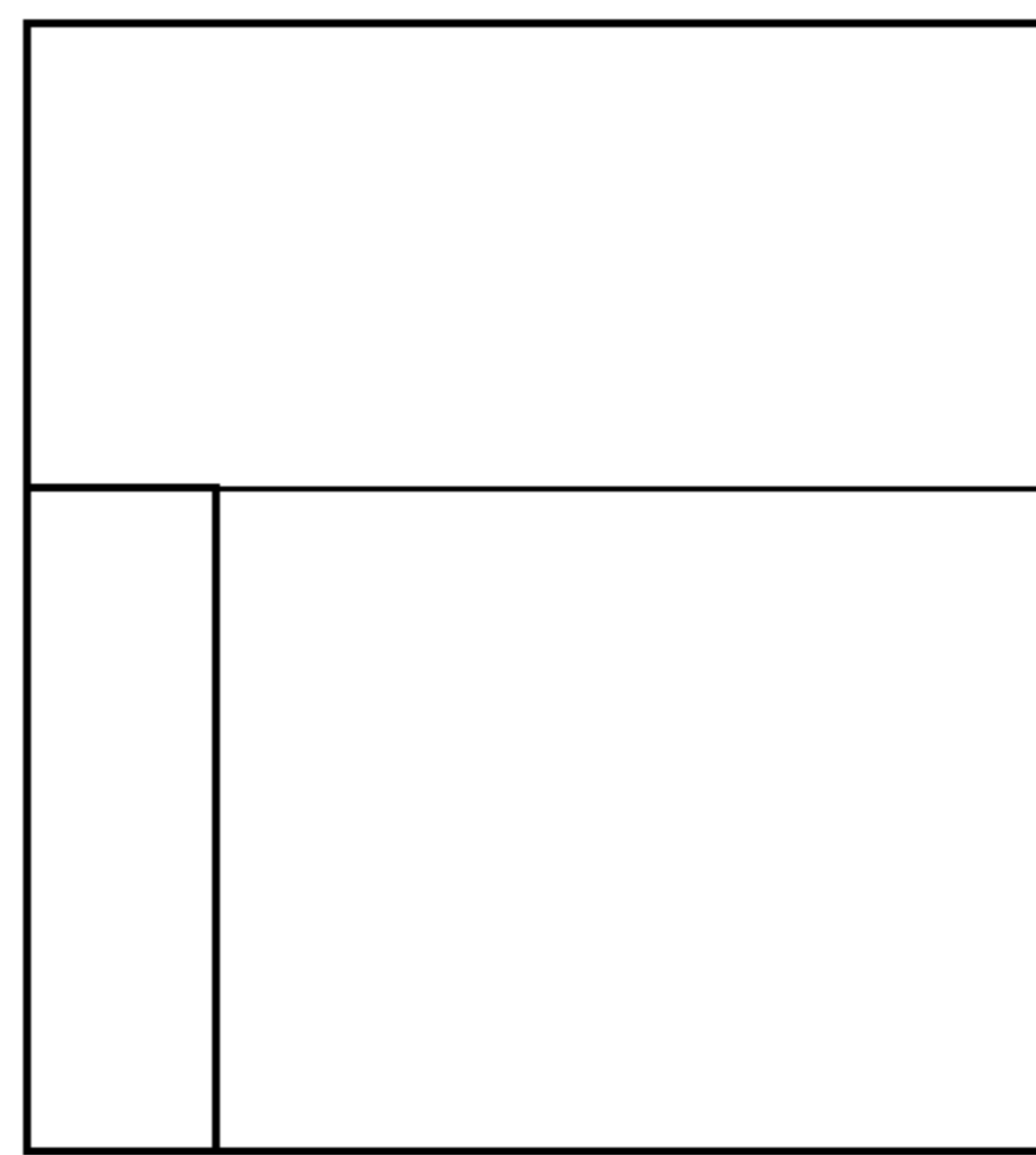
F i g . 5



F i g . 6



F i g . 7



F i g . 8

