

US00D661259S

(12) **United States Design Patent**
Layevsky et al.

(10) **Patent No.:** **US D661,259 S**
(45) **Date of Patent:** **** Jun. 5, 2012**

(54) **HEAT SINK**
(75) Inventors: **Dmitry Layevsky**, Newton, MA (US);
Valeriy Zolotykh, Burlington, MA (US)
(73) Assignee: **OSRAM SYLVANIA Inc.**, Danvers,
MA (US)
(**) Term: **14 Years**
(21) Appl. No.: **29/373,339**

D644,352 S * 8/2011 Layevsky et al. D26/2
D644,353 S * 8/2011 Layevsky et al. D26/2
D644,355 S * 8/2011 Layevsky et al. D26/2
7,993,031 B2 * 8/2011 Grajcar 362/294
D644,758 S * 9/2011 Layevsky et al. D26/2
D644,759 S * 9/2011 Layevsky et al. D26/2
D645,579 S * 9/2011 Layevsky et al. D26/2
D645,580 S * 9/2011 Yoshinobu D26/2
D651,738 S * 1/2012 Guercio et al. D26/138
2010/0109499 A1 5/2010 Vilgiate et al.
2010/0207534 A1 8/2010 Dowling et al.
2011/0298350 A1 * 12/2011 van de Ven 313/46
2011/0309734 A1 * 12/2011 Lin et al. 313/46

(22) Filed: **Mar. 31, 2011**
(51) **LOC (9) Cl.** **13-03**
(52) **U.S. Cl.** **D13/179; D26/2**
(58) **Field of Classification Search** D13/179;
D26/2, 118, 135; 165/80.3, 104.26, 104.33,
165/122, 151, 185; 257/706, 707, 718-722;
313/46, 315-317, 493; 315/52, 53, 56-58;
362/294; 361/695, 697, 700, 702, 704, 709,
361/710, 711, 719

OTHER PUBLICATIONS

Philips EnduraLED PAR30 and PAR38 LED Lamps, shown in brochure, believed on sale in U.S. prior to filing date of the application herein, website www.lighting.philips.com visited on Dec. 2, 2010 (2 pgs, color).
GE LED PAR20 Lamps, shown in brochure, believed on sale in U.S. prior to filing date of the application herein, website www.gelighting.com visited on Dec. 2, 2010 (2 pgs, color).

See application file for complete search history.

(Continued)

Primary Examiner — Selina Sikder

(56) **References Cited**

(74) *Attorney, Agent, or Firm* — Edward S. Podszus

U.S. PATENT DOCUMENTS

6,367,949 B1 4/2002 Pederson
D468,456 S 1/2003 Bobel
D470,610 S 2/2003 Bobel
6,787,999 B2 9/2004 Stimac et al.
6,814,470 B2 11/2004 Rizkin et al.
7,144,135 B2 12/2006 Martin et al.
D542,425 S * 5/2007 Wang D26/2
D582,578 S * 12/2008 Tsai et al. D26/2
D601,279 S 9/2009 Ou et al.
D610,274 S 2/2010 Cho
D610,722 S 2/2010 Bi
D613,434 S 4/2010 Weiss
D616,576 S * 5/2010 Wang et al. D26/2
D618,633 S * 6/2010 Lin D13/179
D626,094 S * 10/2010 Alexander et al. D13/179
D631,574 S * 1/2011 Yoshinobu et al. D26/2
7,936,119 B2 * 5/2011 Cheng 313/498
D643,947 S * 8/2011 Layevsky et al. D26/2

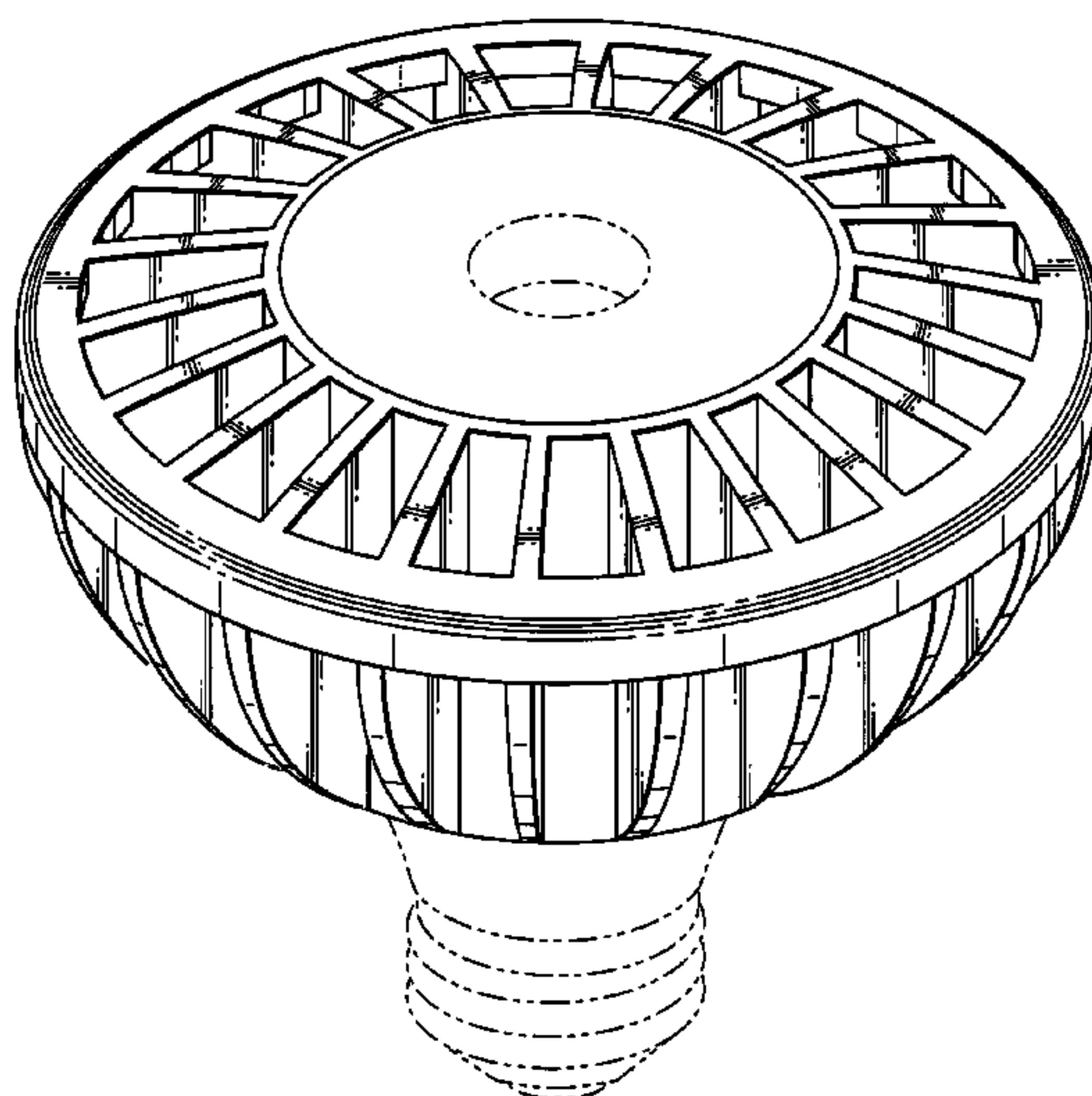
(57) **CLAIM**

The ornamental design for a heat sink, as shown and described.

DESCRIPTION

FIG. 1 is a front elevational view of the new design for a heat sink, the design being rotationally symmetric;
FIG. 2 is a top plan view thereof;
FIG. 3 is a bottom plan view thereof; and,
FIG. 4 is a perspective view thereof as seen from the front, top side.
The broken line disclosure is for environmental purposes only and does not form a part of the claimed design.

1 Claim, 4 Drawing Sheets



OTHER PUBLICATIONS

GE LED PAR30 Short and Long Neck Lamps, shown in brochure, believed on sale in U.S. prior to filing date of the application herein, website www.gelighting.com visited on Dec. 2, 2010 (2 pgs, color).
Sylvania Ultra LED Retrofit PAR20 Lamp, shown in brochure RETRO025R7 dated Nov. 2010, on sale in U.S. prior to filing date of the application herein (1 pg, color).
Sylvania Ultra LED Retrofit PAR30LN Lamp, shown in brochure RETRO027R6 dated Oct. 2010, on sale in U.S. prior to filing date of the application herein (1 pg, color).
Sylvania Ultra LED Retrofit PAR38 Lamp, shown in brochure RETRO028R6 dated Oct. 2010, on sale in U.S. prior to filing date of the application herein (1 pg, color).
Rhodes PAR-30 14 Watt, shown in brochure, believed on sale in U.S. prior to filing date of the application herein, website www.ledwaves.com visited on Dec. 2, 2010 (2 pgs, color).

Lighting Science Group Definity line of six (6) LED lamps, shown in brochure, believed on sale in U.S. prior to filing date of the application herein, website www.lsgc.com visited on Dec. 2, 2010 (8 pgs, color).

Prines PAR-30 Dimmable LED Light Bulb, shown in brochure, believed on sale in U.S. prior to filing date of the application herein, website www.ledwaves.com visited on Dec. 2, 2010 (2 pgs, color).

Norman Lamps, Inc. LED-PAR30, shown in brochure, believed on sale in U.S. prior to filing date of the application herein, website www.NormanLEDs.com visited on Dec. 2, 2010 (1 pg, color).

Nine (9) Osram Sylvania LED retrofit lamp designs, shown in brochure RETRO019R4 (c) 2010 entitled "Tomorrow, at the speed of light", on sale in US. prior to filing date of the application herein (6 pages).

* cited by examiner

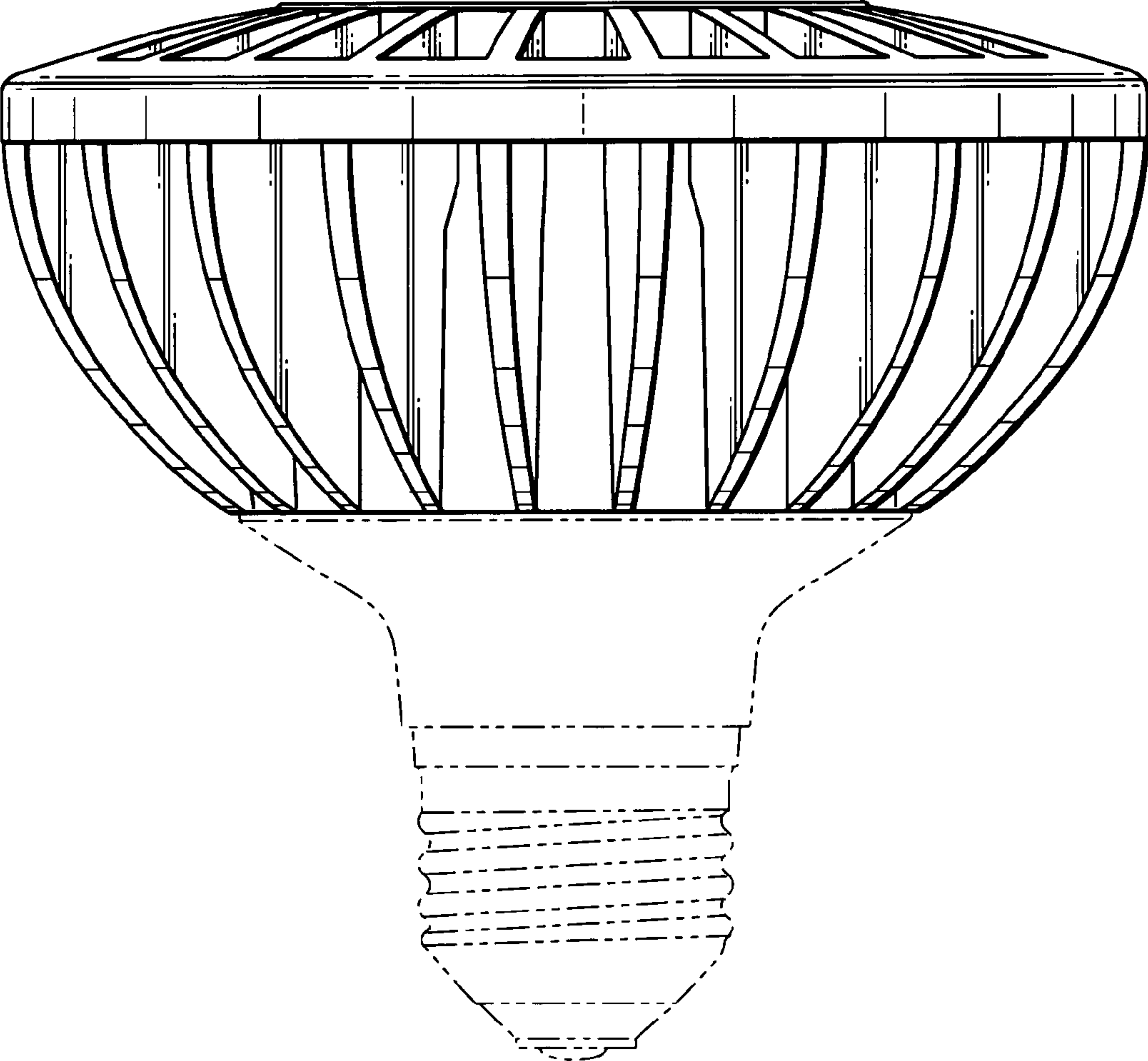


FIG. 1

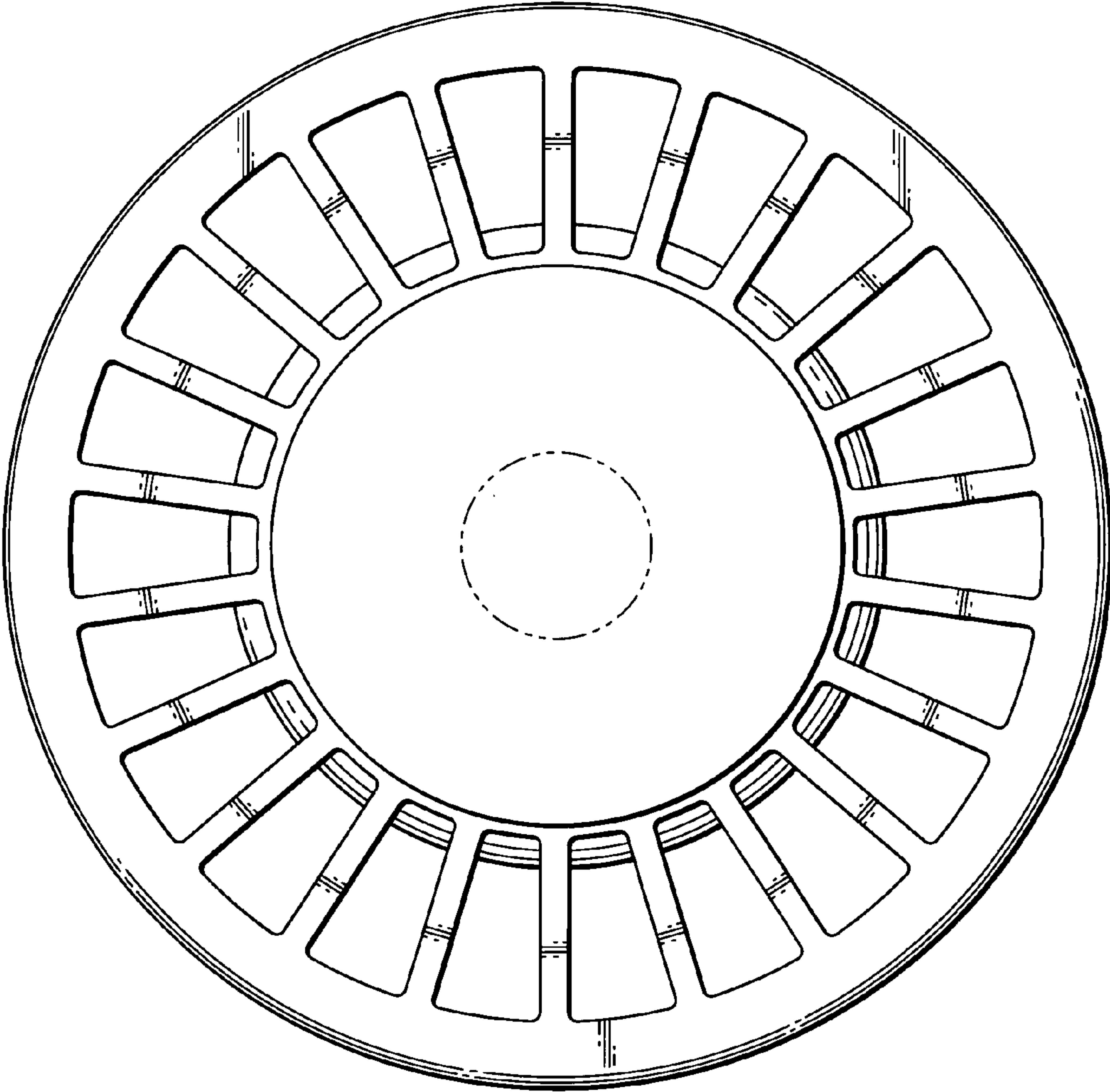


FIG. 2

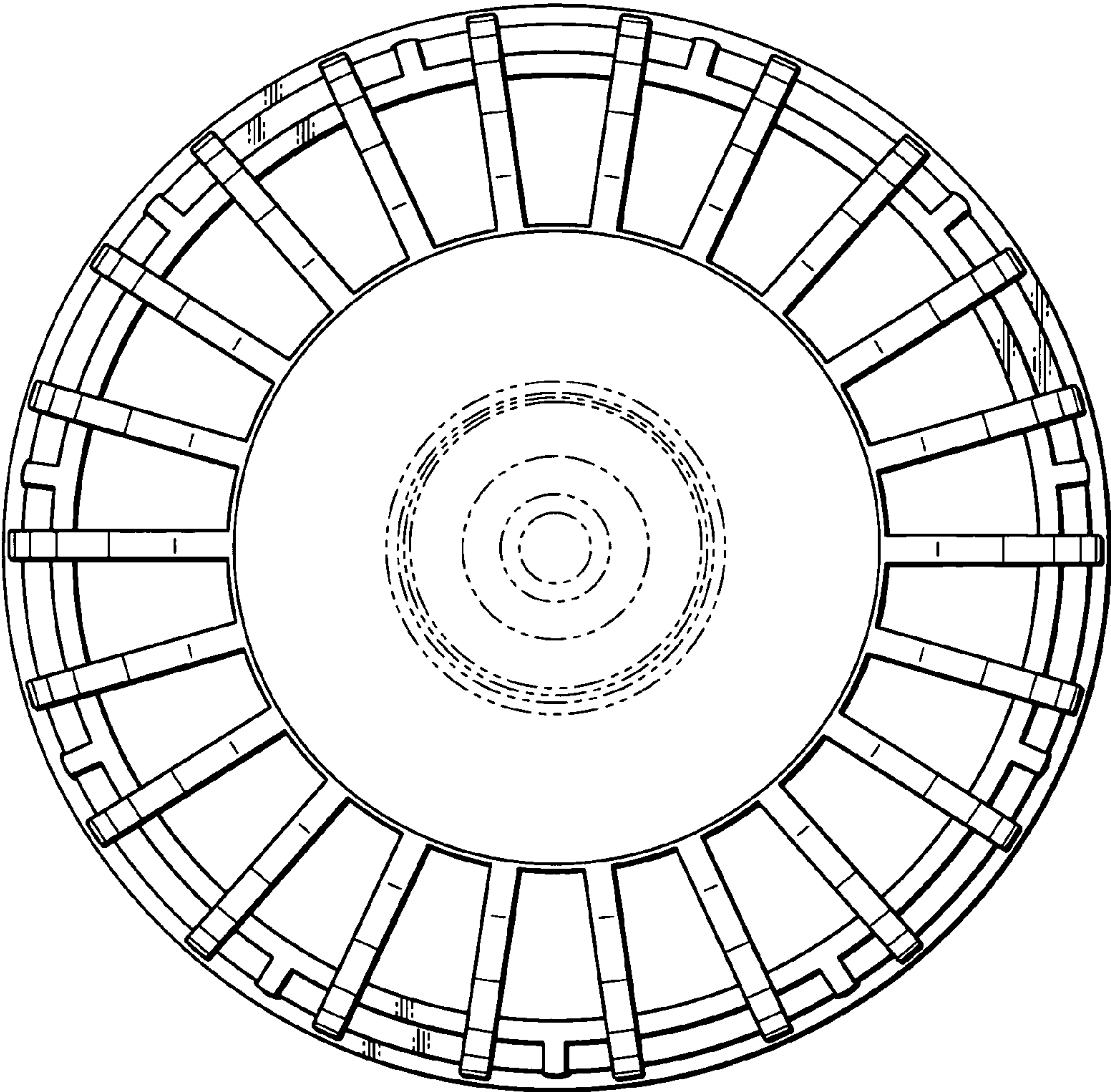


FIG. 3

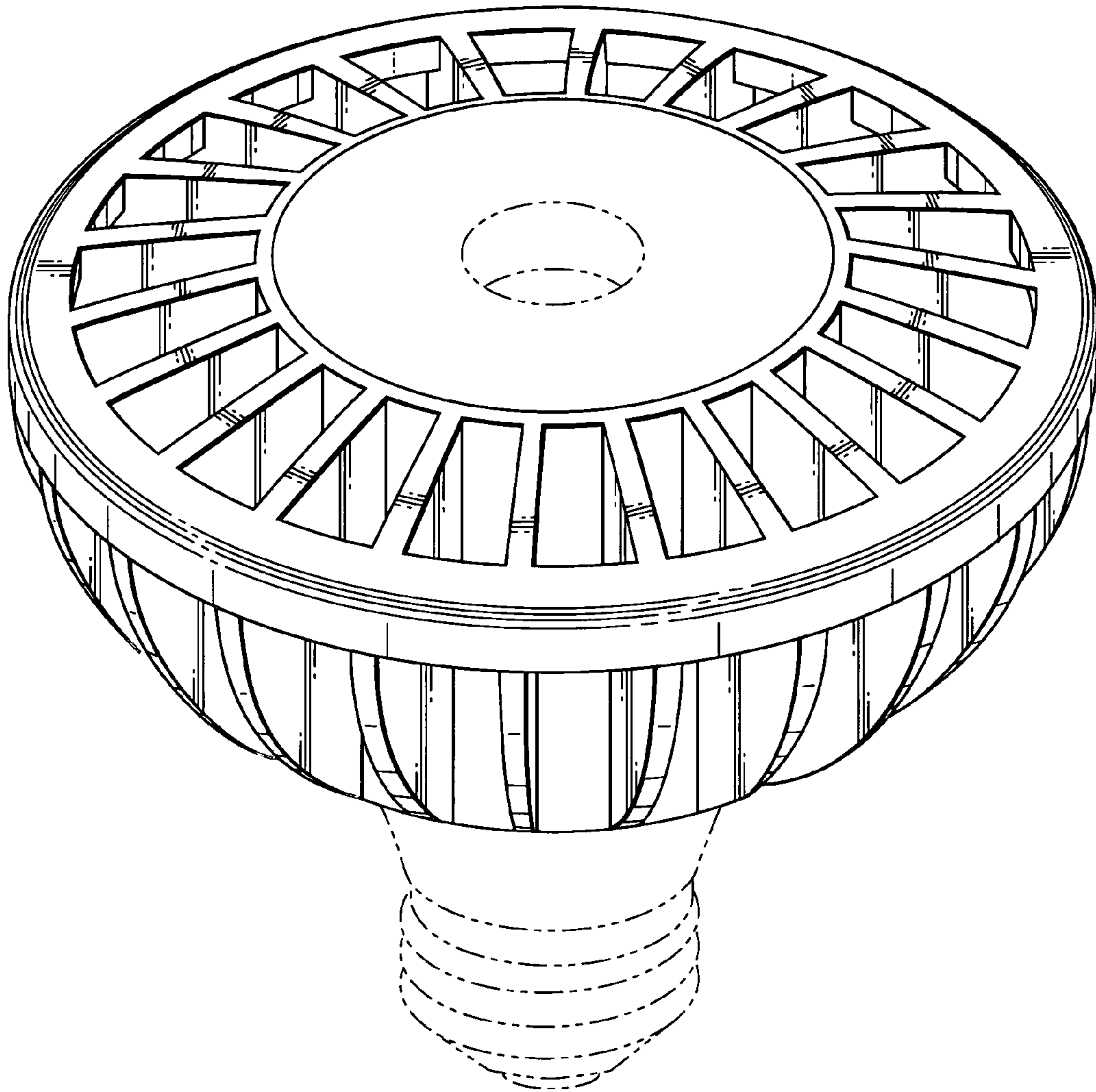


FIG. 4