

US00D661253S

(12) **United States Design Patent**  
**Grünwald et al.**

(10) **Patent No.:** **US D661,253 S**

(45) **Date of Patent:** **\*\* Jun. 5, 2012**

(54) **FIELD DEVICE**

(75) Inventors: **Andreas Grünwald**, Berlin (DE);  
**Alexandra Heisig**, Berlin (DE); **Eric Lude**, Berlin (DE); **Thomas Menke**, Berlin (DE); **Eberhard Ohlert**, Erlangen (DE); **Axel Platz**, München (DE); **Volker Rissland**, Marwitz (DE); **Thomas Schüppler**, Berlin (DE)

(73) Assignee: **Siemens Aktiengesellschaft**, Munich (DE)

(\*\*) Term: **14 Years**

(21) Appl. No.: **29/362,139**

(22) Filed: **May 20, 2010**

(30) **Foreign Application Priority Data**

Nov. 20, 2009 (EM) ..... 001181697

(51) **LOC (9) Cl.** ..... **13-03**

(52) **U.S. Cl.** ..... **D13/123**

(58) **Field of Classification Search** ..... D13/110, D13/119, 123, 133, 146, 147, 152, 158-164, D13/171, 173, 174, 177, 178, 184, 199; 455/89, 455/90, 346-349; 361/601, 622, 627-628, 361/679-681, 690; 340/825.22, 825.24  
See application file for complete search history.

(56) **References Cited**

U.S. PATENT DOCUMENTS

D365,554	S	*	12/1995	Fisher et al.	.....	D14/443
D365,811	S	*	1/1996	Kemp et al.	.....	D14/450
D385,871	S	*	11/1997	Fisher et al.	.....	D14/443
D556,698	S	*	12/2007	Walser	.....	D13/164
D602,445	S	*	10/2009	Liu	.....	D13/162.1
D609,195	S	*	2/2010	Yamashita et al.	.....	D13/162
D611,007	S	*	3/2010	Kangas	.....	D13/164
D642,134	S	*	7/2011	Walser	.....	D13/164

FOREIGN PATENT DOCUMENTS

WO WO 2009140987 A1 \* 11/2009

\* cited by examiner

*Primary Examiner* — Thomas Johannes

(74) *Attorney, Agent, or Firm* — Laurence A. Greenberg; Werner H. Stemer; Ralph E. Locher

(57) **CLAIM**

The ornamental design for a field device, as shown and described.

**DESCRIPTION**

FIG. 1 is a front elevation view of a field device showing our new design;

FIG. 2 is a rear elevation view thereof;

FIG. 3 is a top view thereof;

FIG. 4 is a bottom view thereof;

FIG. 5 is a right side view thereof;

FIG. 6 is a left side view thereof; and,

FIG. 7 is a right top perspective view thereof.

The broken line portion of the drawings is included to show unclaimed subject matter only and forms no part of the claimed design.

**1 Claim, 7 Drawing Sheets**

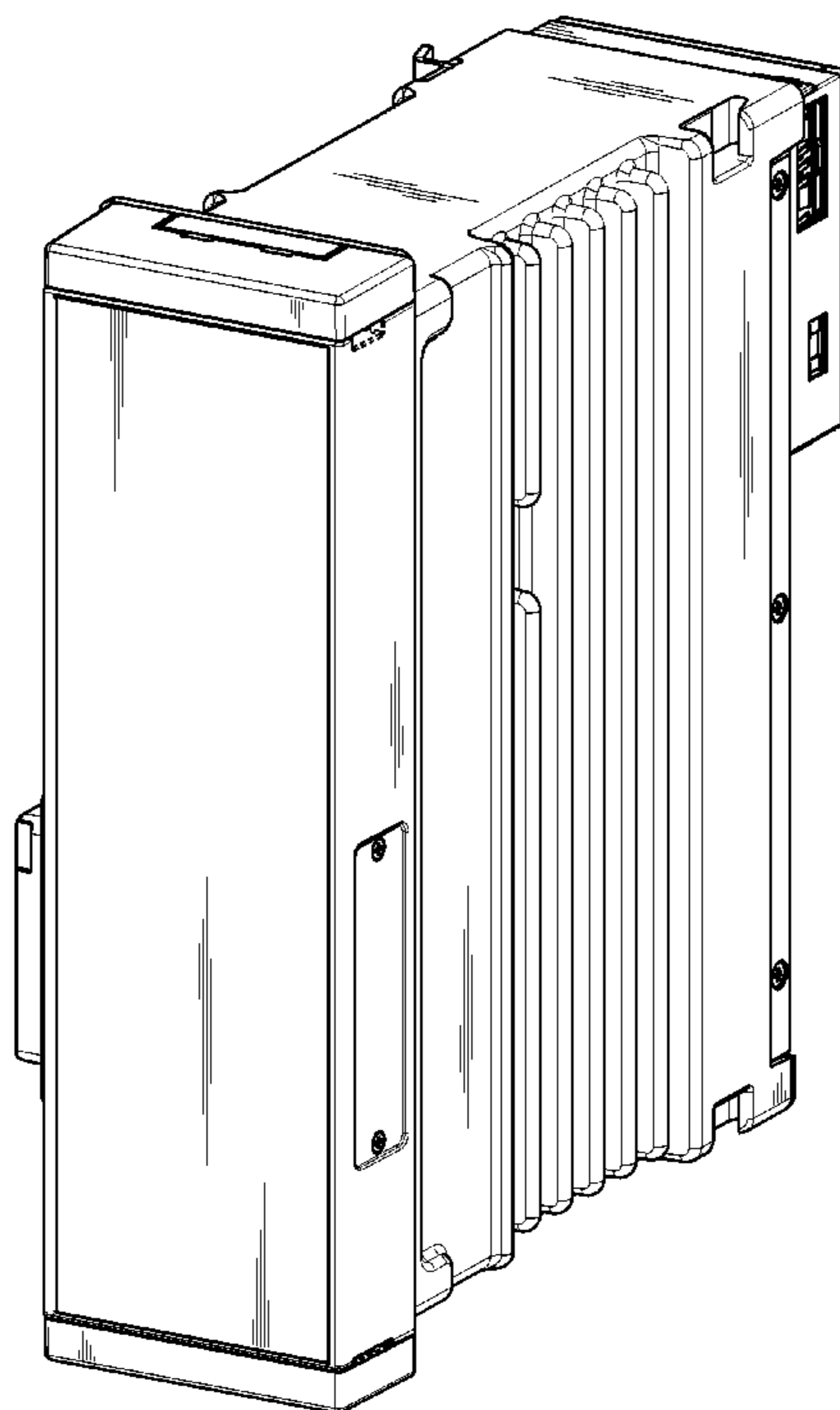


FIG. 1

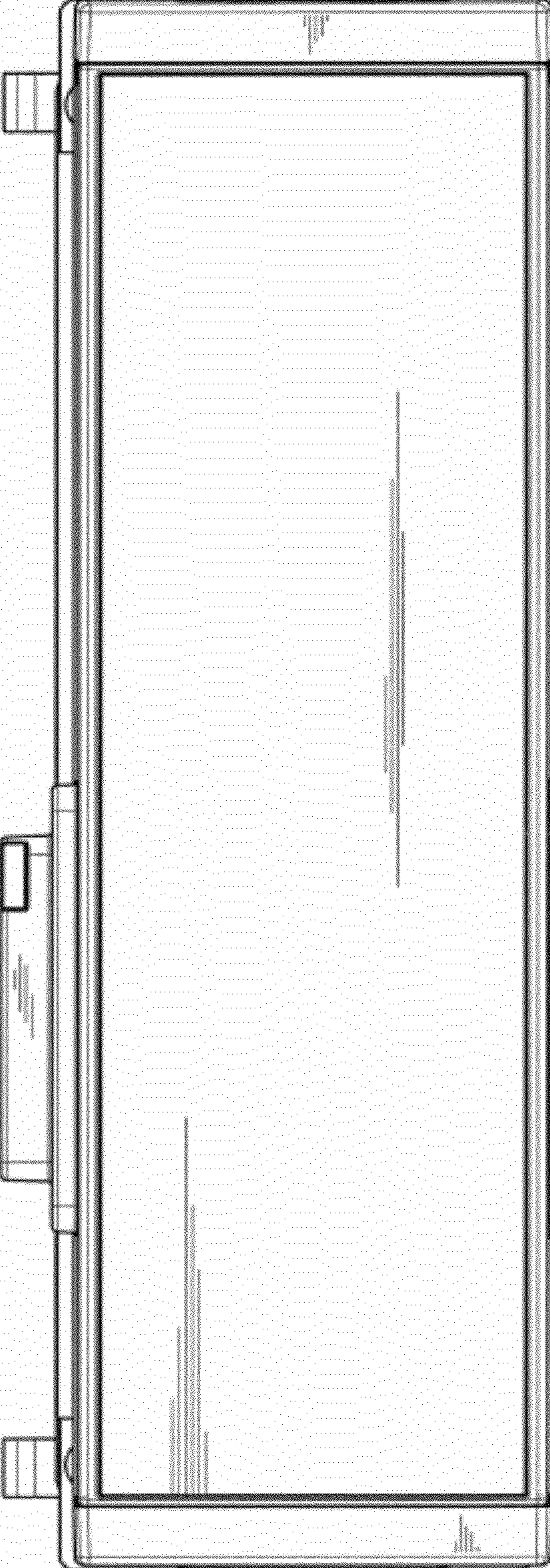


FIG 2

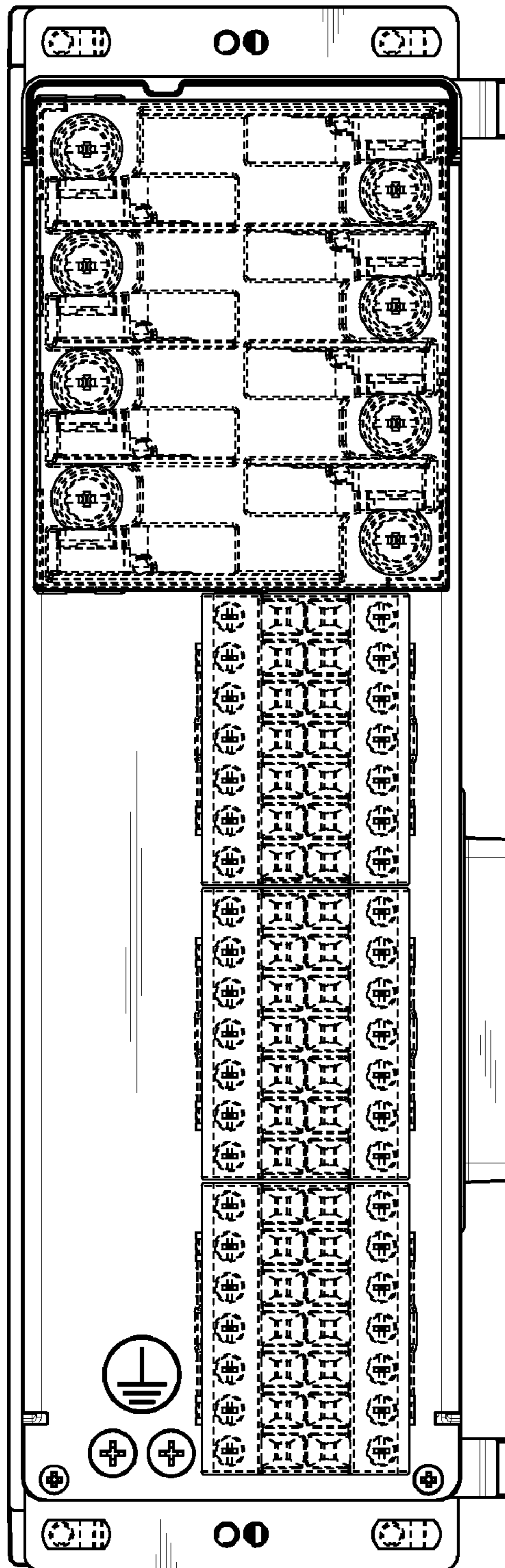


FIG 3

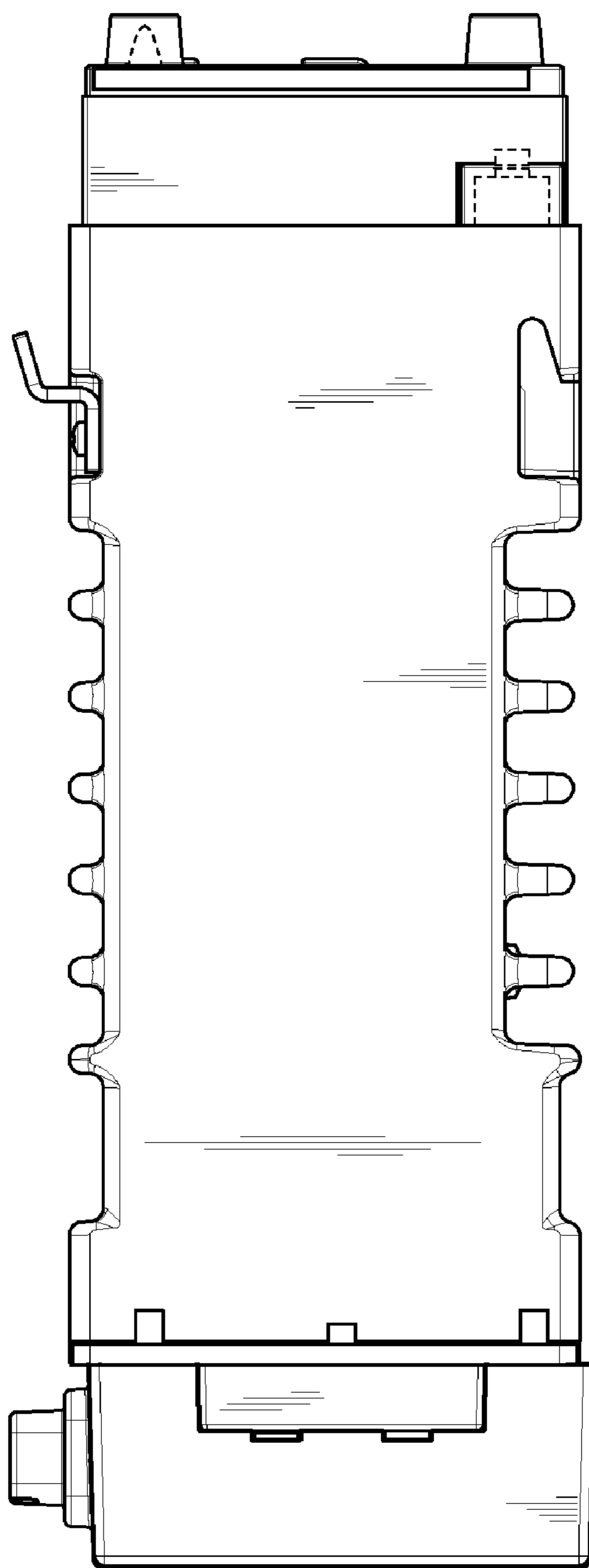


FIG 4

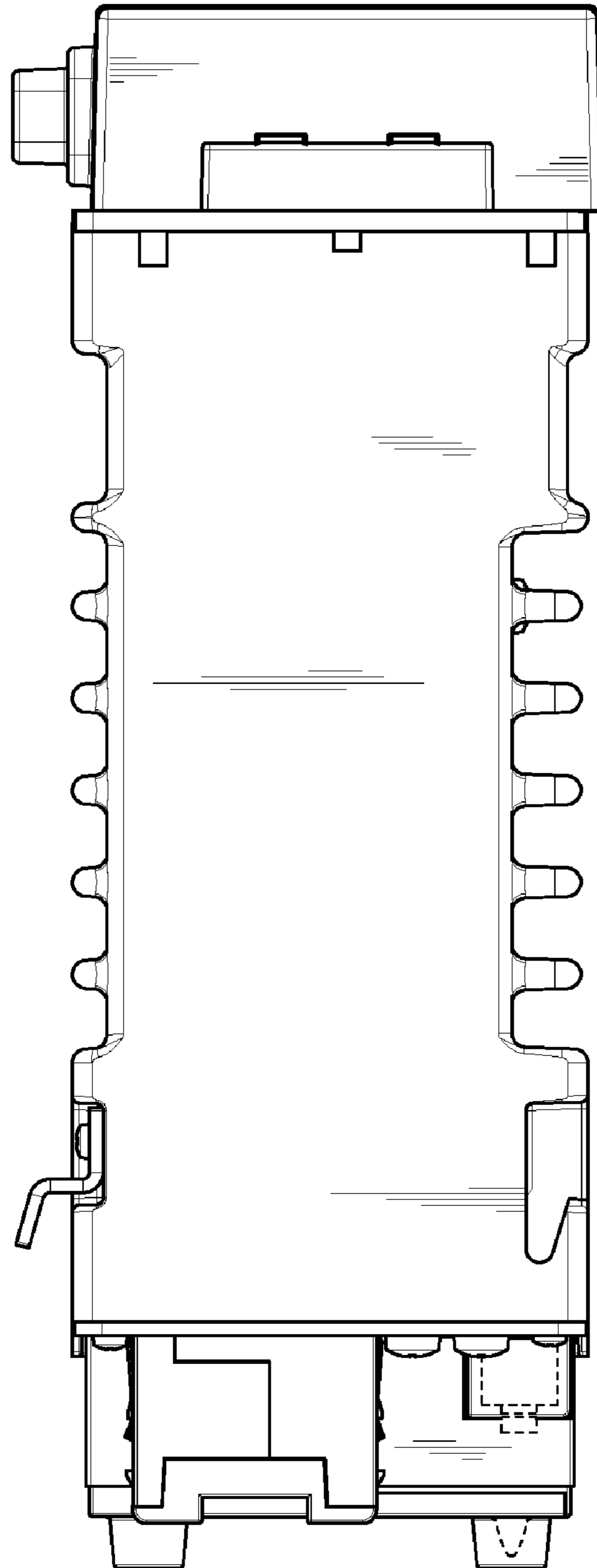


FIG 5

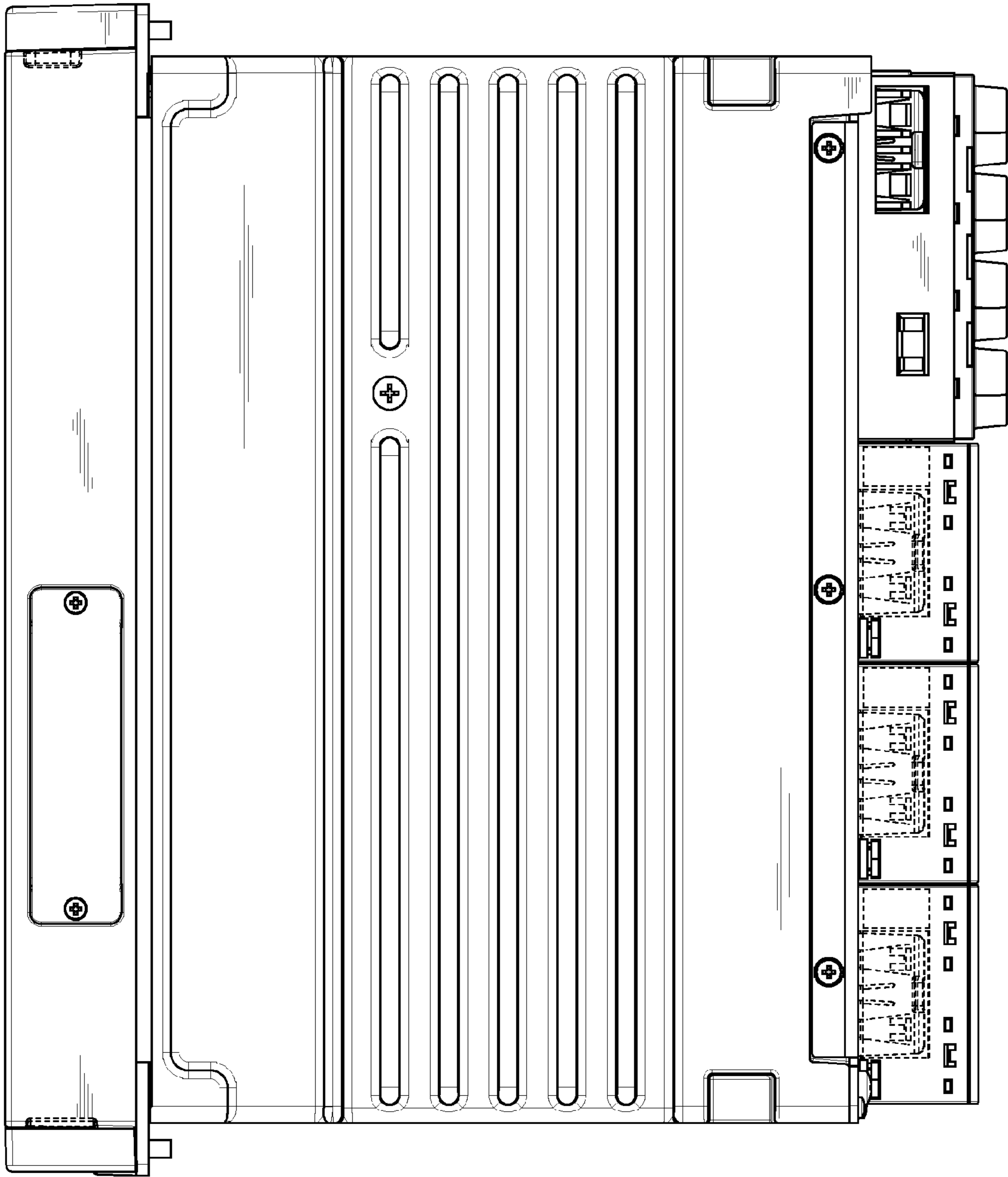


FIG 6

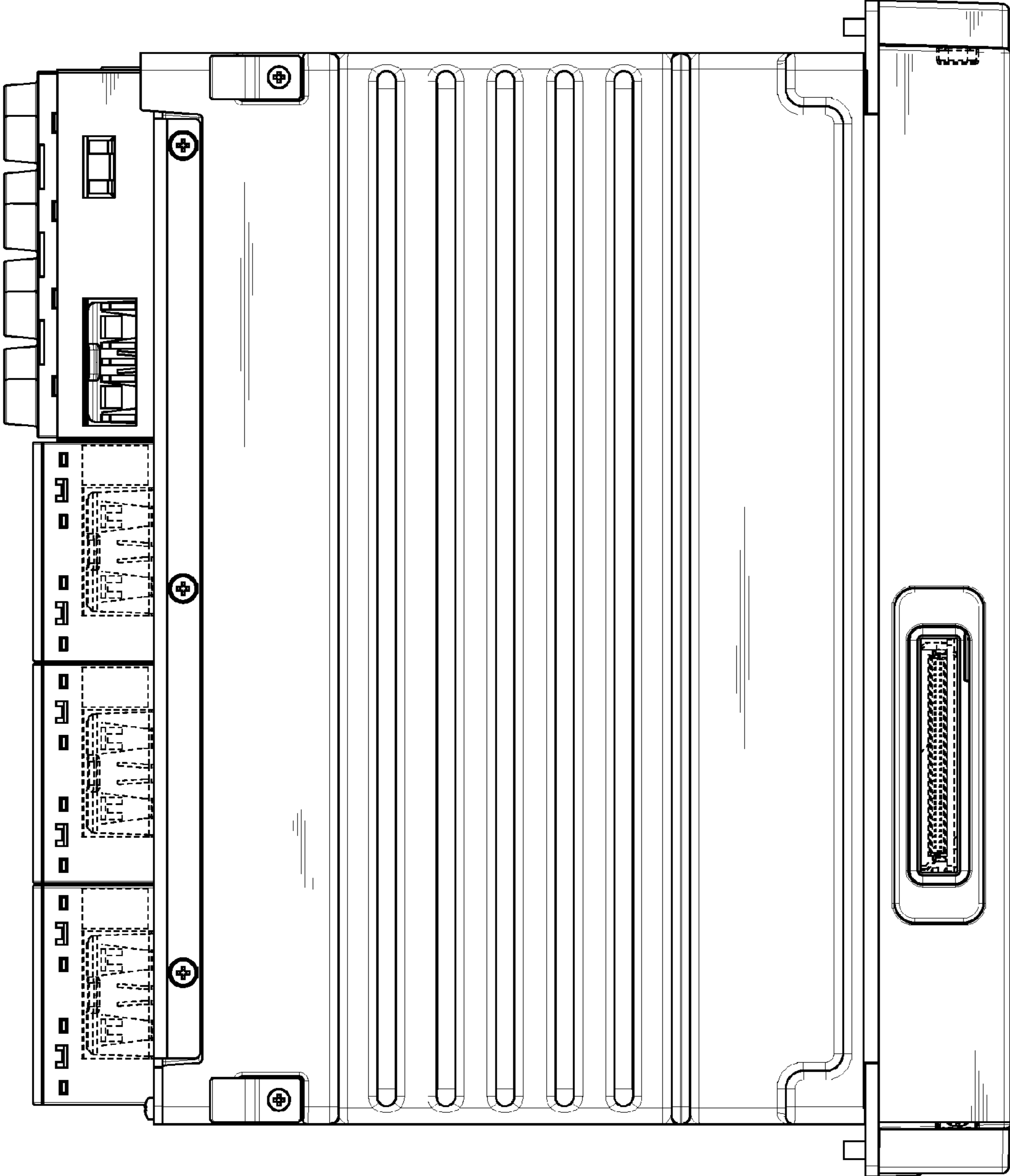


FIG 7

