



US00D661251S

(12) **United States Design Patent**
Cheng et al.

(10) **Patent No.:** **US D661,251 S**
(45) **Date of Patent:** **** Jun. 5, 2012**

- (54) **BATTERY CONNECTOR**
- (75) Inventors: **Hsiung-Kuei Cheng**, Taipei (TW);
Huang-Chih Chen, Taipei (TW)
- (73) Assignee: **Cyber Power System Inc.**, Taipei (TW)
- (**) Term: **14 Years**
- (21) Appl. No.: **29/355,501**
- (22) Filed: **Feb. 9, 2010**
- (51) **LOC (9) Cl.** **13-02**
- (52) **U.S. Cl.** **D13/120**
- (58) **Field of Classification Search** D13/118-121,
D13/133, 146-147, 154, 184, 199; 439/83,
439/108, 166, 436-439, 500, 577, 595, 630,
439/660, 671, 676, 680, 700, 708-709, 721,
439/752, 871

See application file for complete search history.

(56) **References Cited**

U.S. PATENT DOCUMENTS

D210,533	S	*	3/1968	Pauza	D13/147
D314,756	S	*	2/1991	Endo et al.	D13/147
5,059,142	A	*	10/1991	Ohta et al.	439/752
5,358,427	A	*	10/1994	Miwa	439/595
D457,194	S	*	5/2002	Goto	D21/333
D525,206	S	*	7/2006	Cheng et al.	D13/147
D529,444	S	*	10/2006	Kudo	D13/147

D580,872	S	*	11/2008	Knepper	D13/154
D581,366	S	*	11/2008	Knepper	D13/154
D583,329	S	*	12/2008	Chiang et al.	D13/147
D586,754	S	*	2/2009	Yuan et al.	D13/147
D592,144	S	*	5/2009	Lai et al.	D13/147
D598,382	S	*	8/2009	So	D13/147

* cited by examiner

Primary Examiner — Rosemary K Tarcza

(74) *Attorney, Agent, or Firm* — Apex Juris, PLLC; Tracy M. Heims

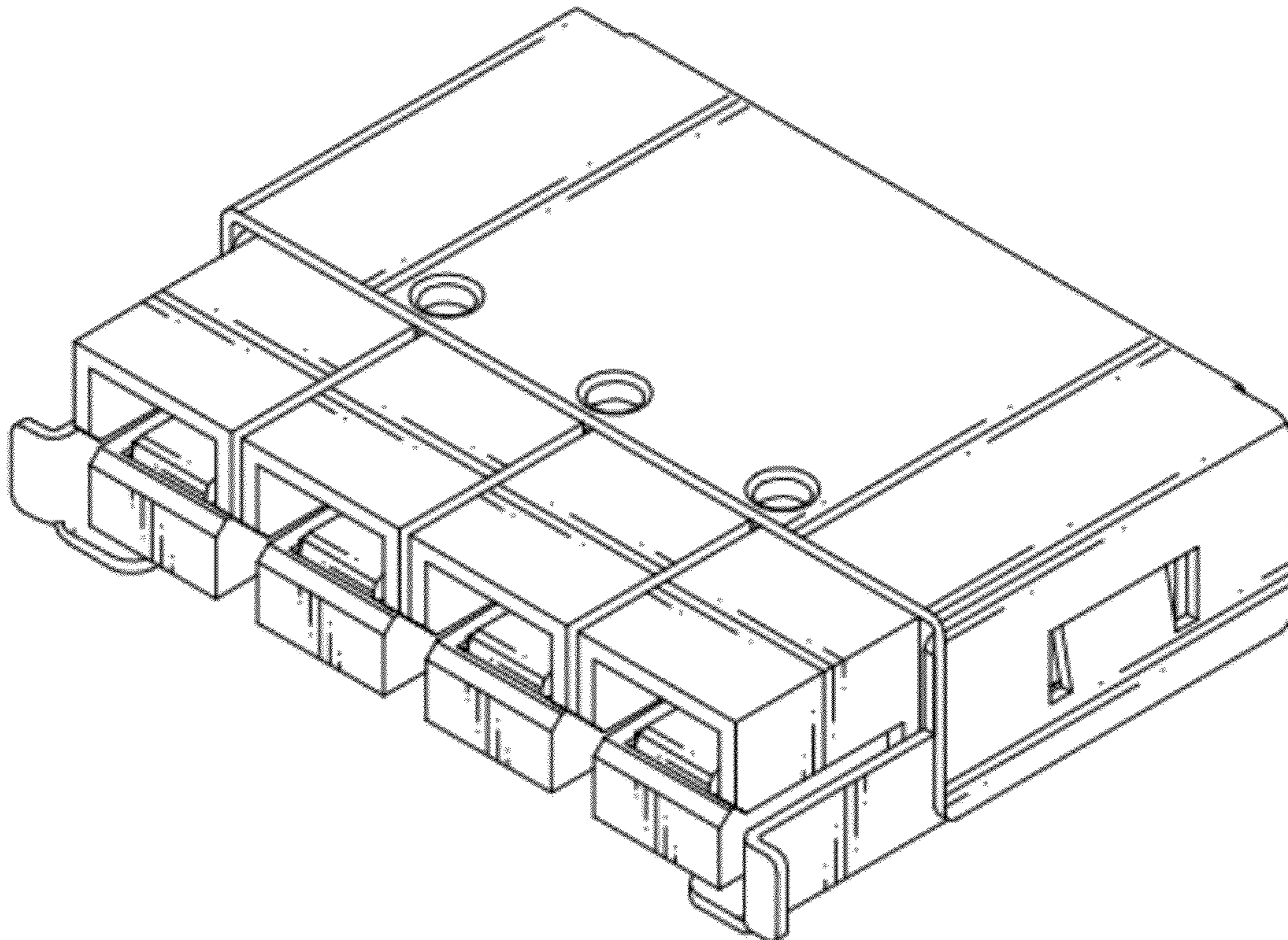
(57) **CLAIM**

The ornamental design for a battery connector, as shown.

DESCRIPTION

FIG. 1 is a perspective view of a battery connector showing our new design;
 FIG. 2 is a front view thereof;
 FIG. 3 is a rear view thereof;
 FIG. 4 is a left view thereof;
 FIG. 5 is a right view thereof;
 FIG. 6 is a top view thereof;
 FIG. 7 is a bottom view thereof; and,
 FIG. 8 is another perspective view thereof.

1 Claim, 8 Drawing Sheets



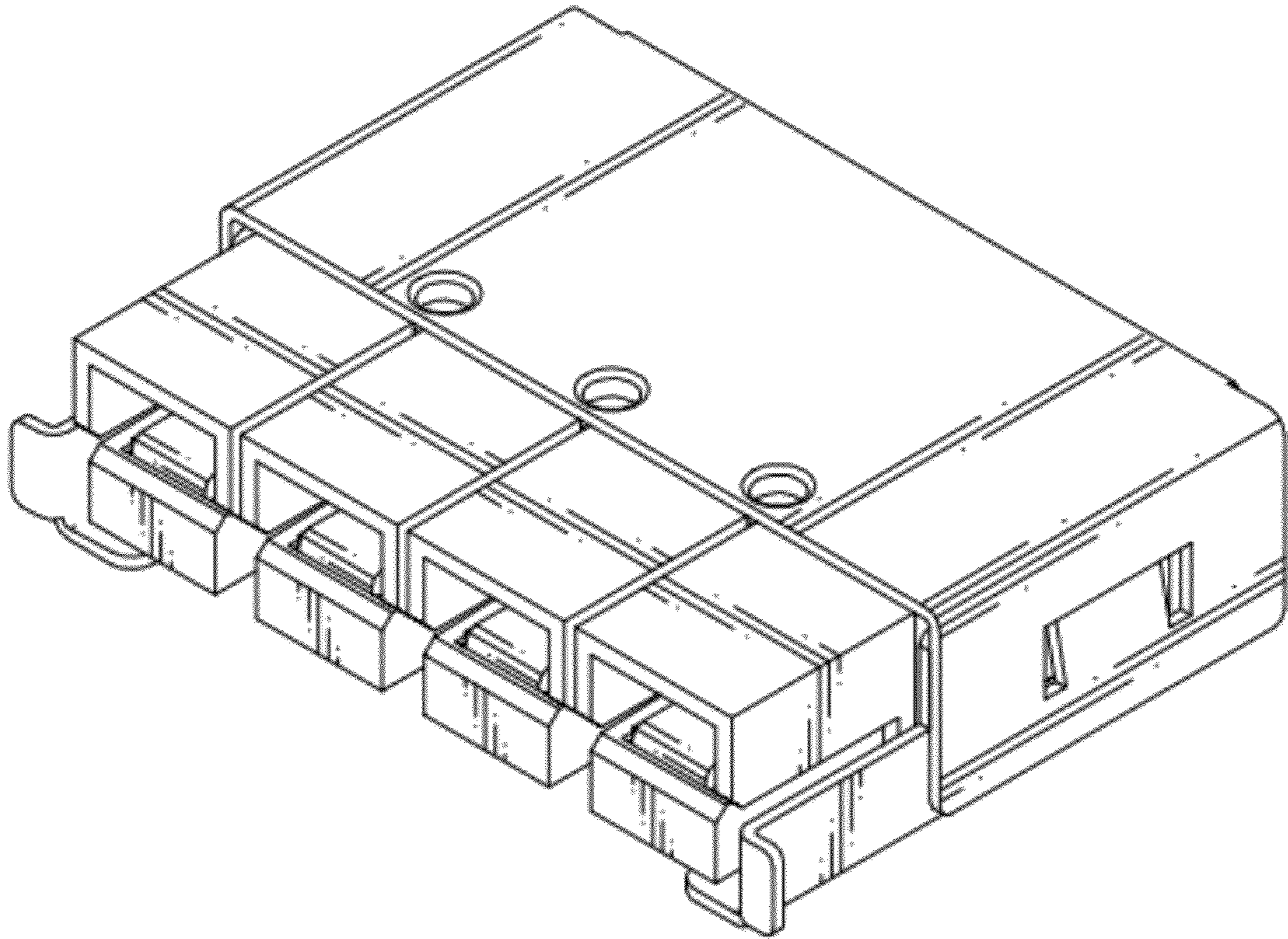


FIG.1

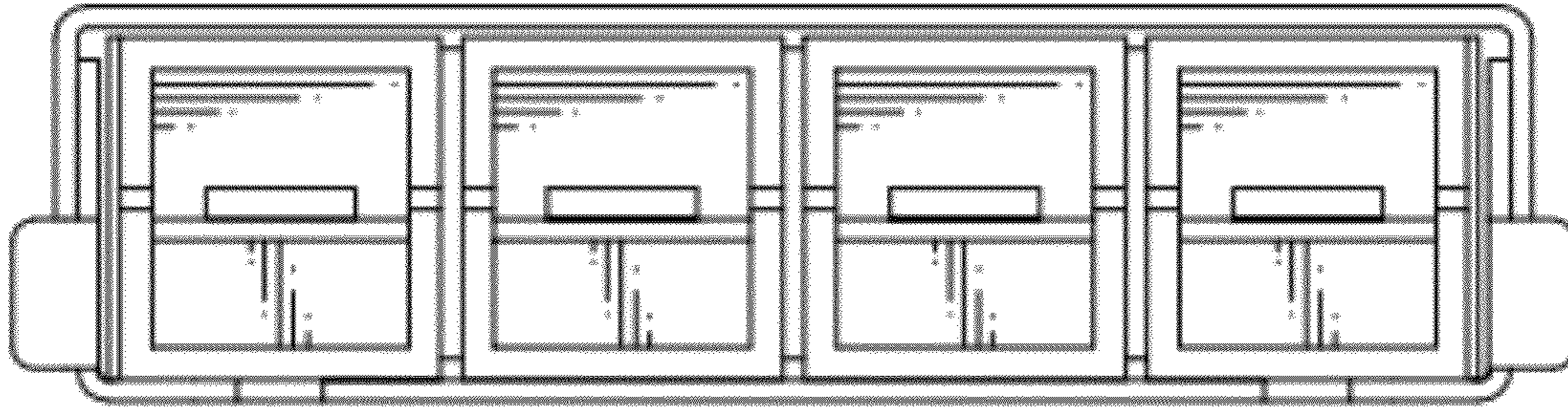


FIG. 2

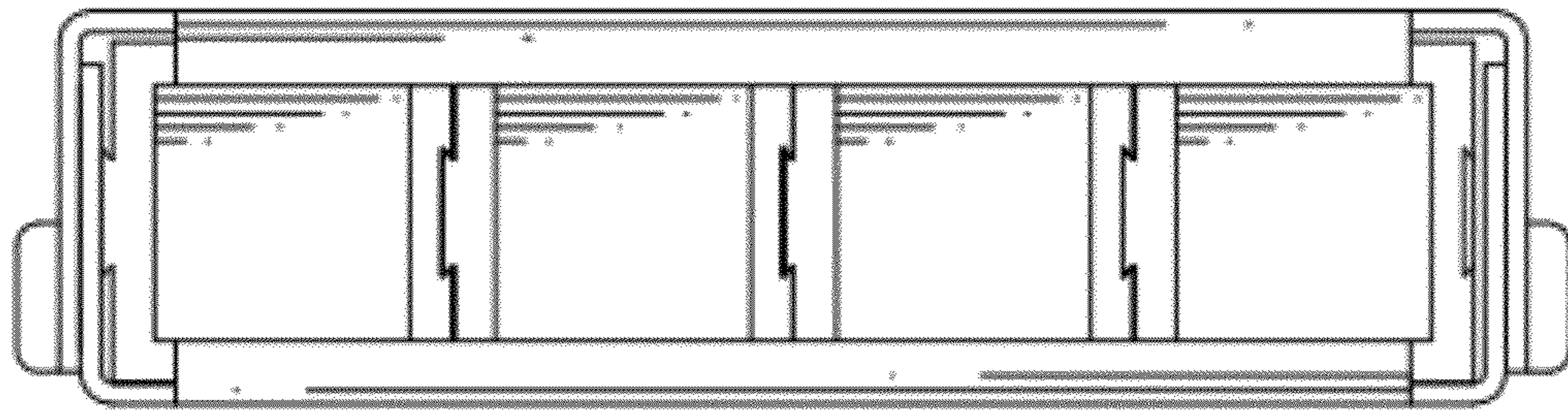


FIG.3

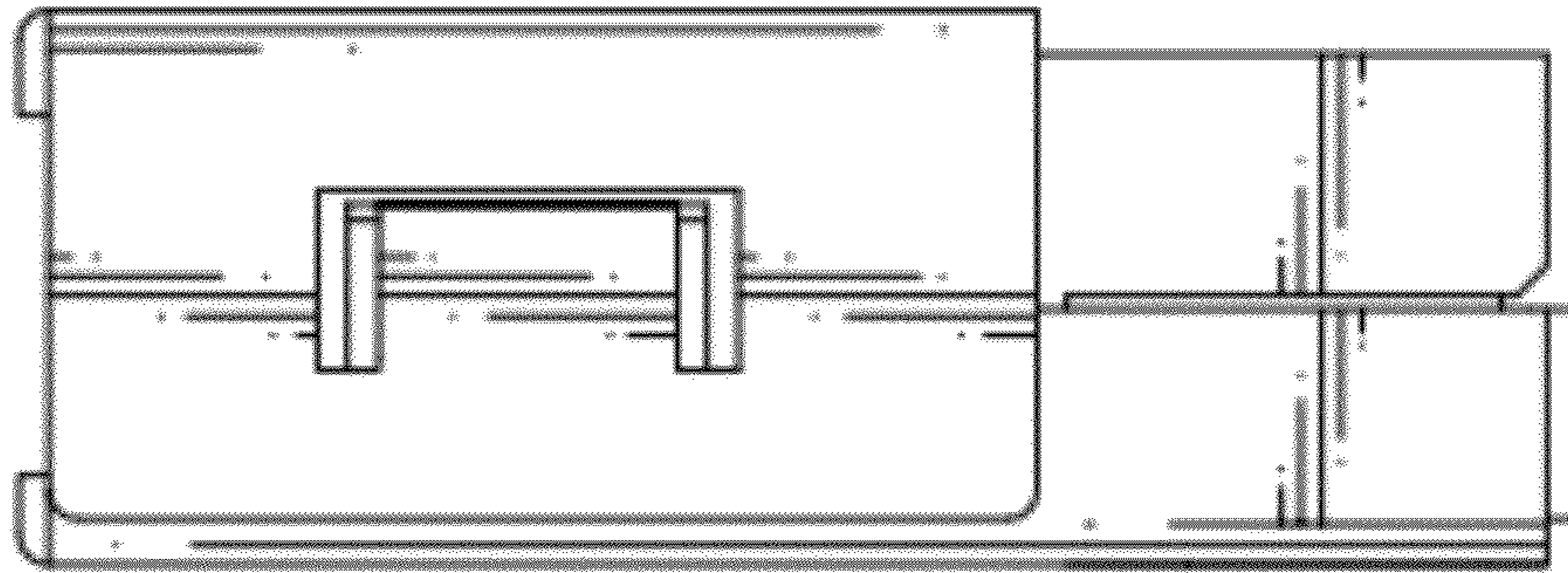


FIG.4

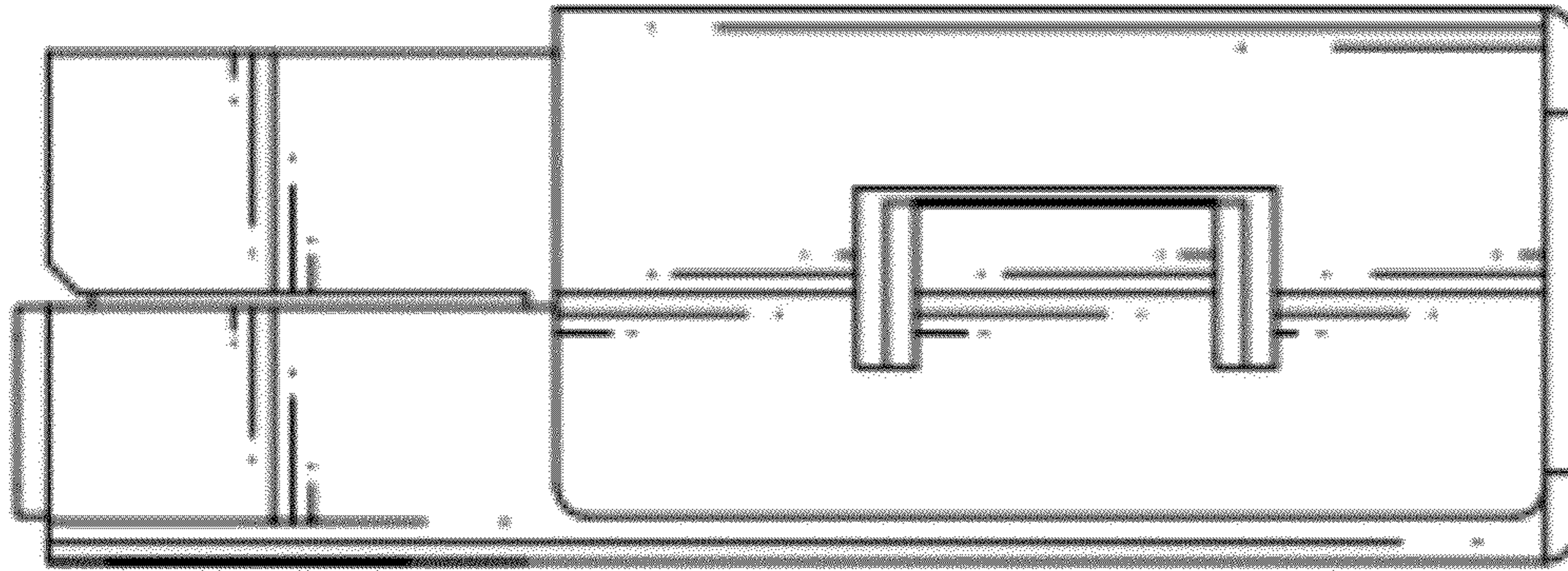


FIG.5

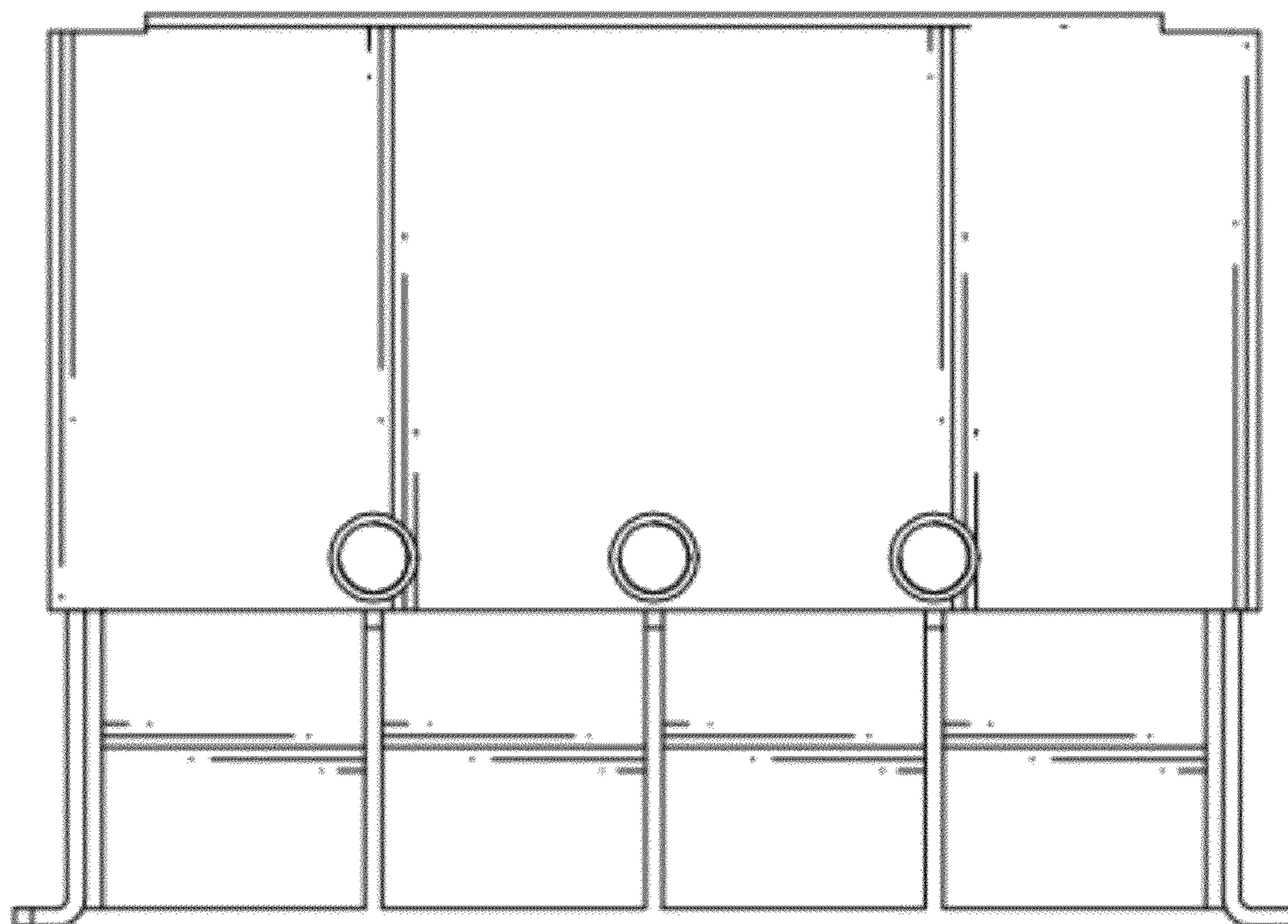


FIG.6

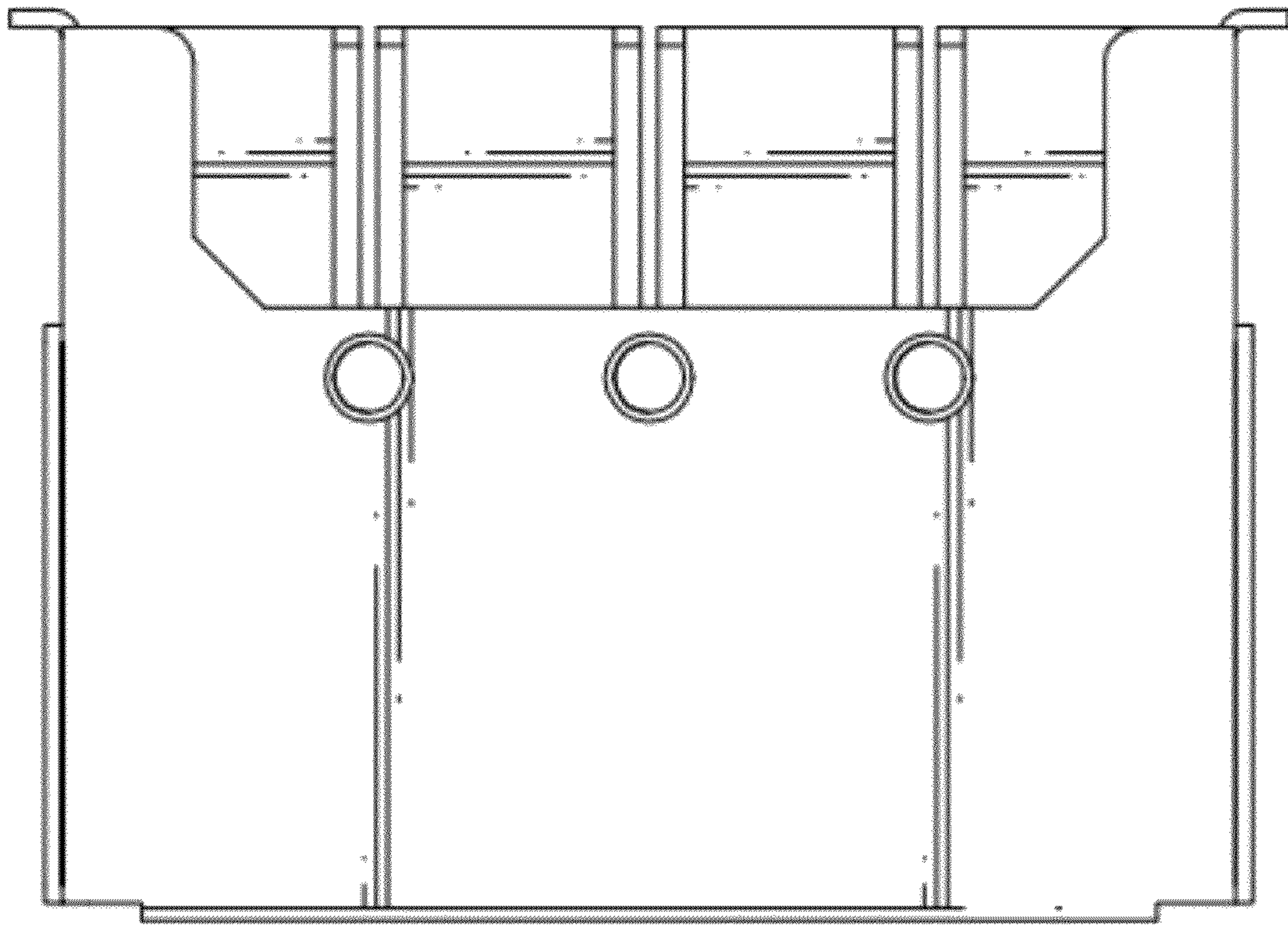


FIG.7

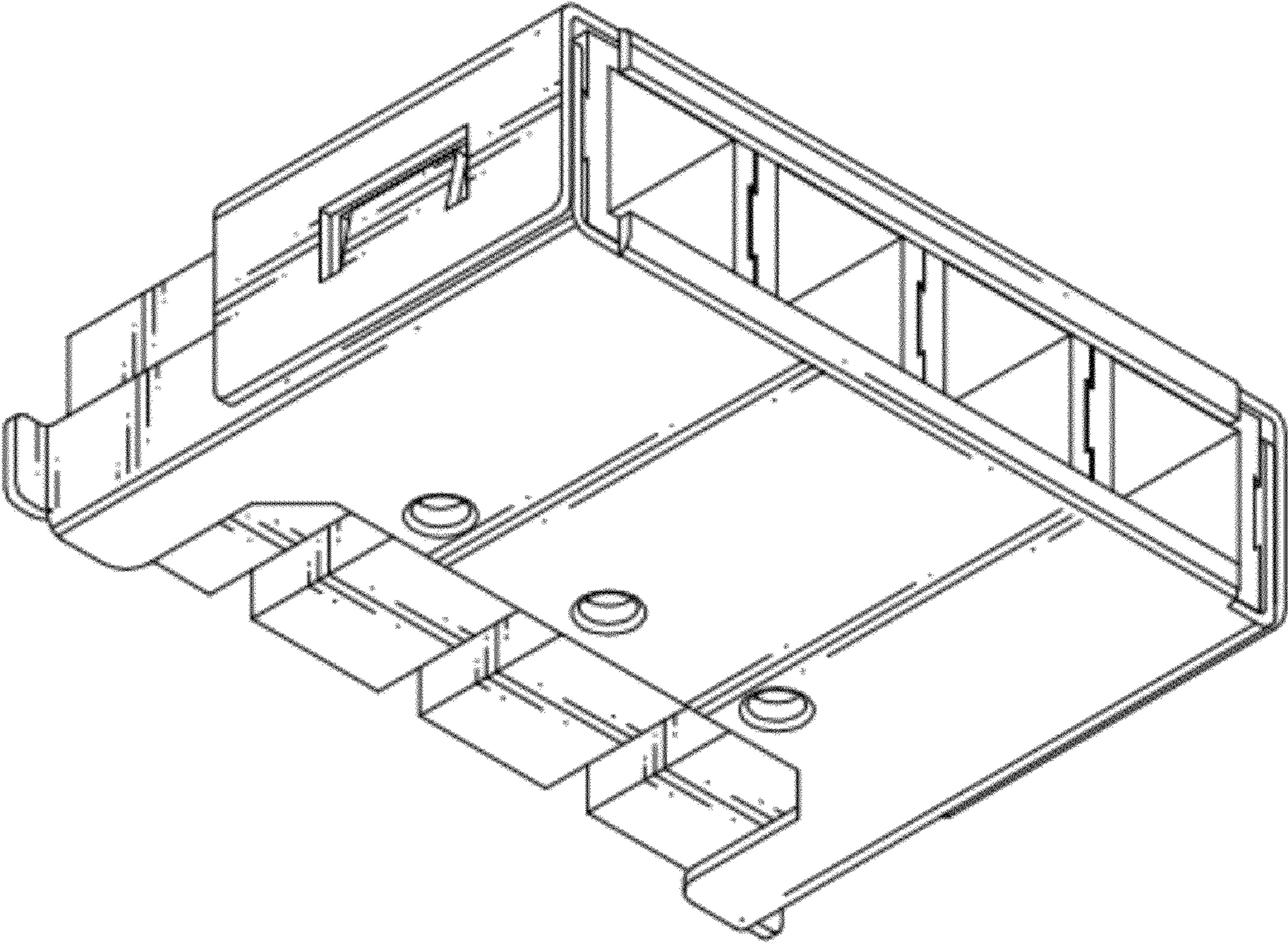


FIG.8