



US00D661250S

(12) **United States Design Patent**
Andersson

(10) **Patent No.:** **US D661,250 S**
(45) **Date of Patent:** **** Jun. 5, 2012**

(54) **FREQUENCY CONVERTER**

(75) Inventor: **Jan Andersson**, Erlangen (DE)
(73) Assignee: **Siemens Aktiengesellschaft**, München (DE)
(**) Term: **14 Years**

(21) Appl. No.: **29/390,865**
(22) Filed: **Apr. 29, 2011**

(30) **Foreign Application Priority Data**

Oct. 29, 2010 (EP) 001242317

(51) **LOC (9) Cl.** **13-02**
(52) **U.S. Cl.** **D13/110**
(58) **Field of Classification Search** D13/110,
D13/101, 122, 123, 184, 199; D15/5; 123/185.1,
123/185.14; 290/47, 48; 310/89, 109; 361/600,
361/601, 622, 702, 703, 730, 809; 363/141,
363/142

See application file for complete search history.

(56) **References Cited**

U.S. PATENT DOCUMENTS

D363,056 S *	10/1995	Vinciarelli et al.	D13/110
D401,216 S *	11/1998	Person et al.	D13/110
D403,301 S *	12/1998	Lehmann et al.	D13/110
D425,017 S *	5/2000	Leung	D13/110
D505,915 S *	6/2005	Hussaini et al.	D13/110
D548,183 S *	8/2007	Hakala et al.	D13/110
D606,017 S *	12/2009	Charlson et al.	D13/110

* cited by examiner

Primary Examiner — Derrick Holland

(74) *Attorney, Agent, or Firm* — Henry M. Feiereisen;
Ursula B. Day

(57) **CLAIM**

The ornamental design for a frequency converter, as shown and described.

DESCRIPTION

FIG. 1 is a front elevational view of a frequency converter showing my new design;
FIG. 2 is a rear elevational view thereof;
FIG. 3 is a top plan view thereof;
FIG. 4 is a bottom plan view thereof;
FIG. 5 is a left side elevational view thereof;
FIG. 6 is a right side elevational view thereof;
FIG. 7 is a front, top and side perspective view thereof, and,
FIG. 8 is a rear, top and side view perspective view thereof.

1 Claim, 8 Drawing Sheets

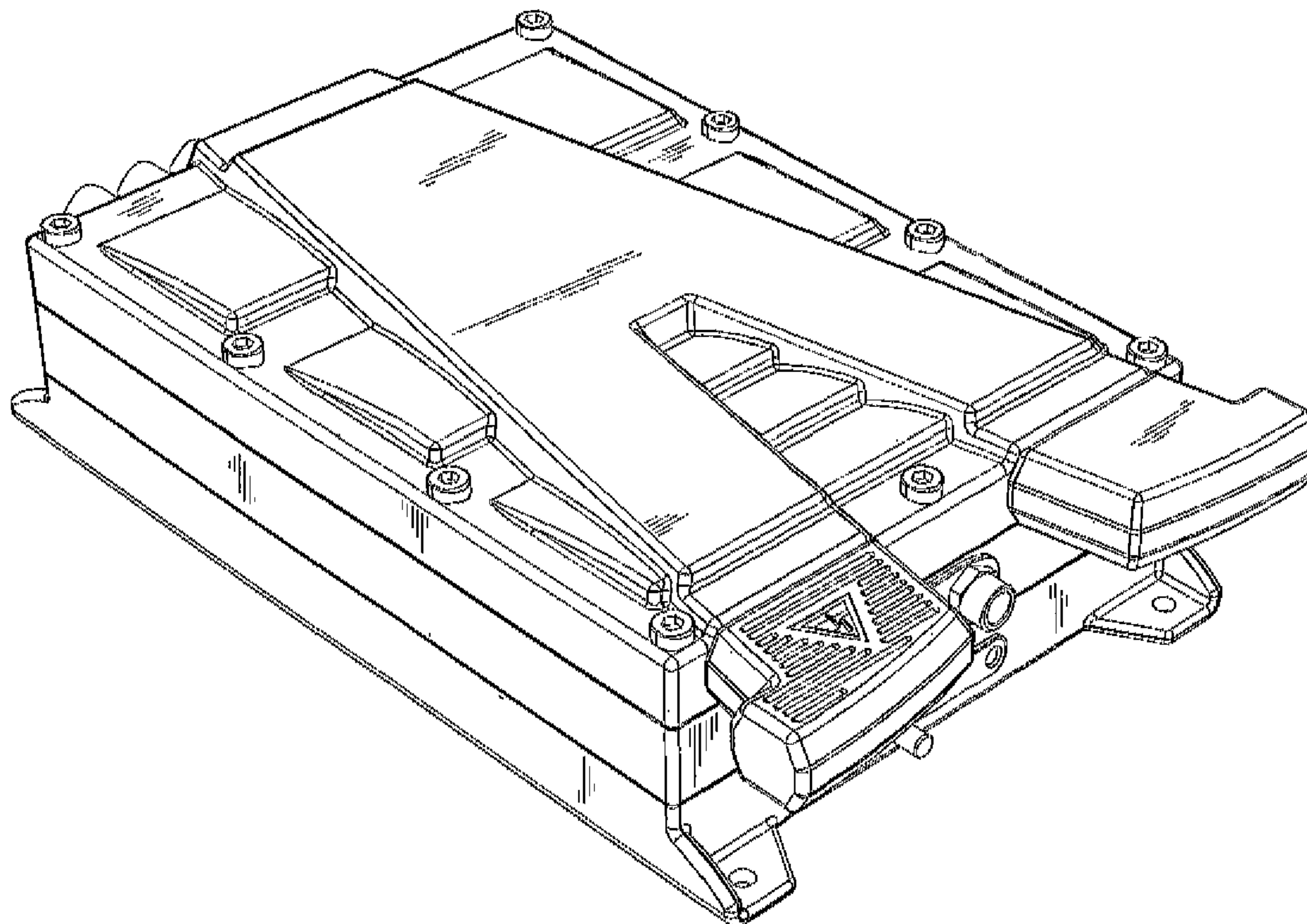


FIG. 1

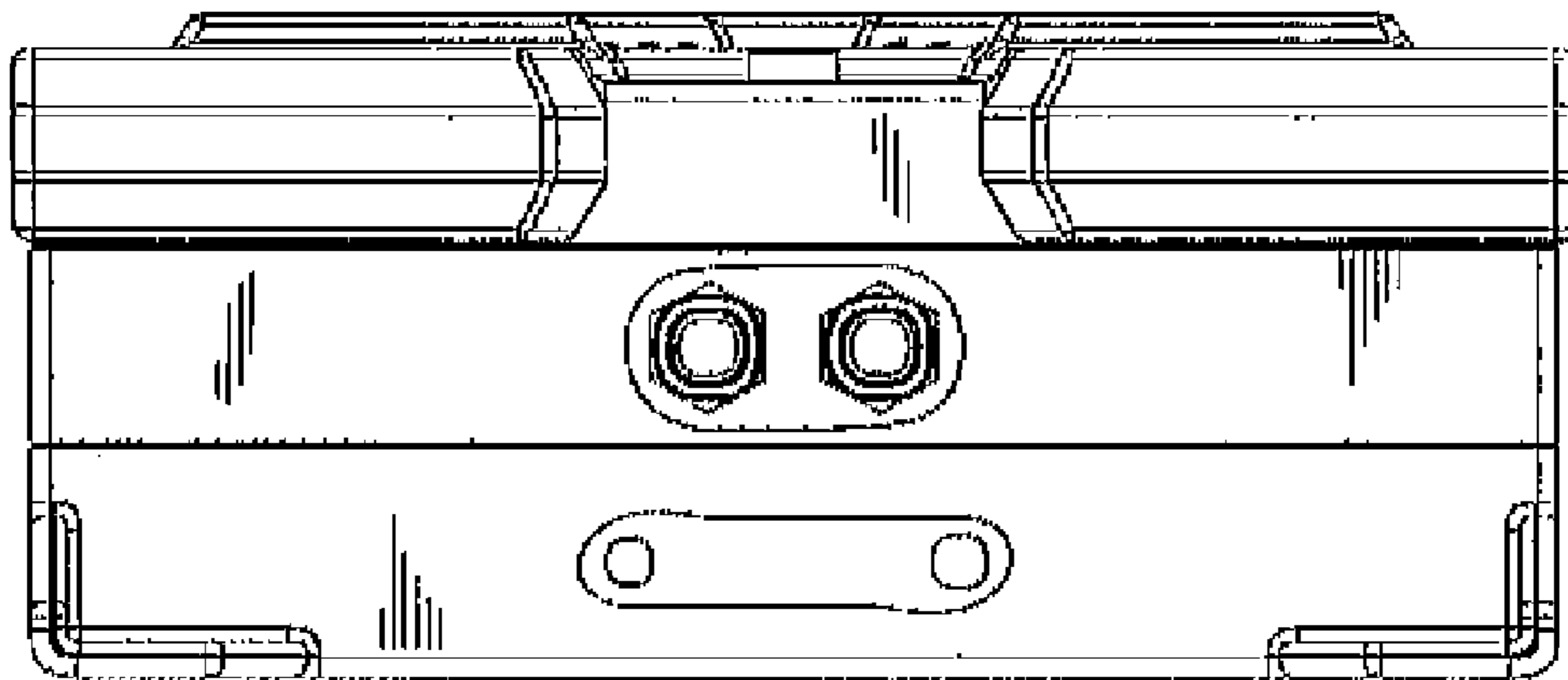


FIG. 2

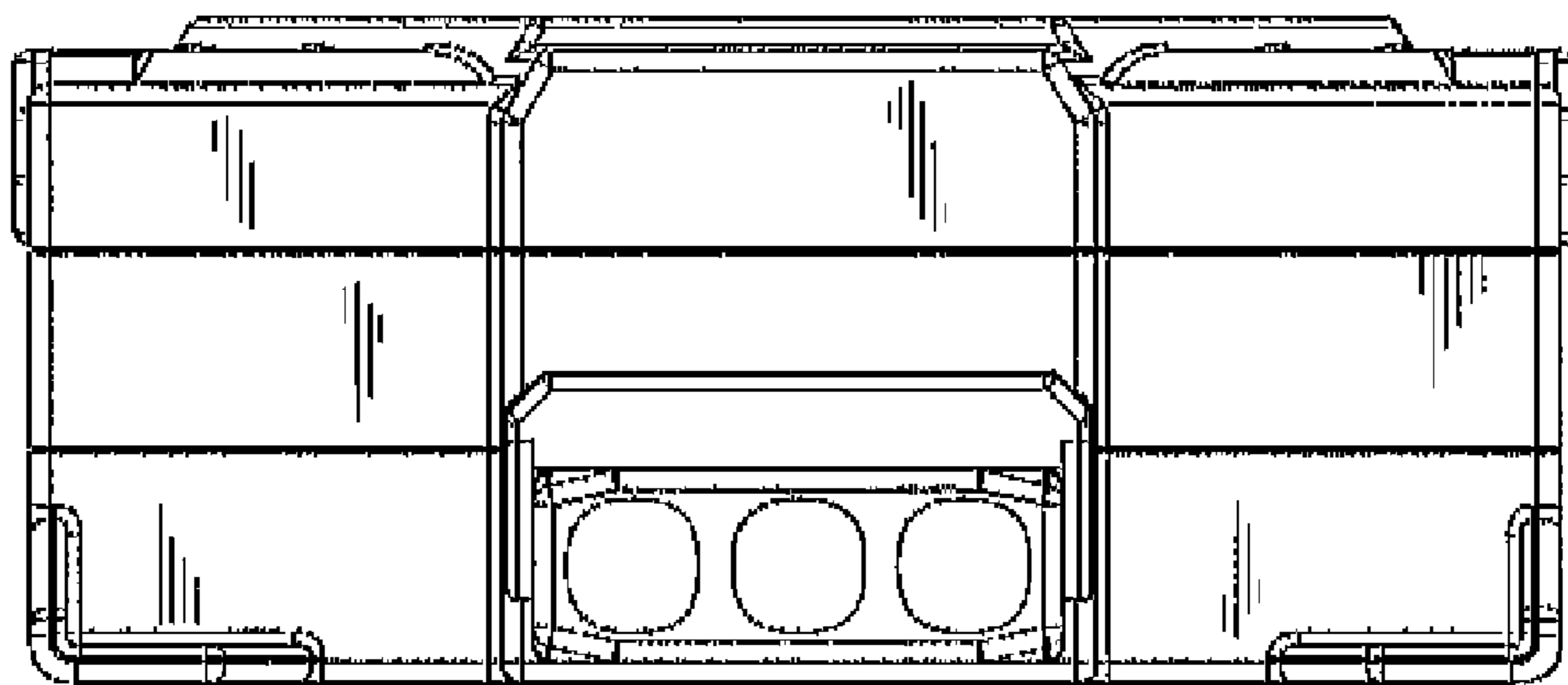


FIG. 3

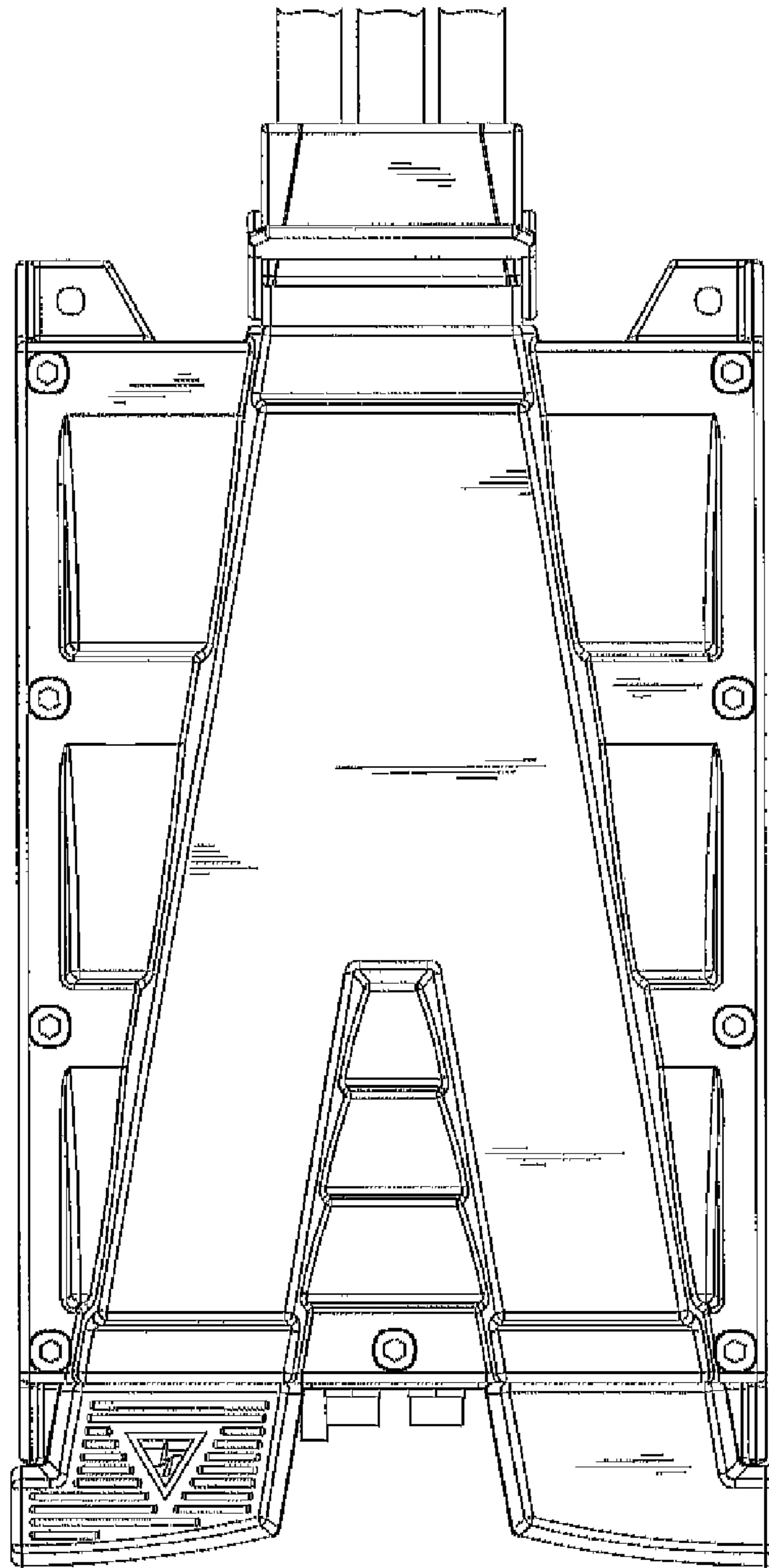


FIG. 4

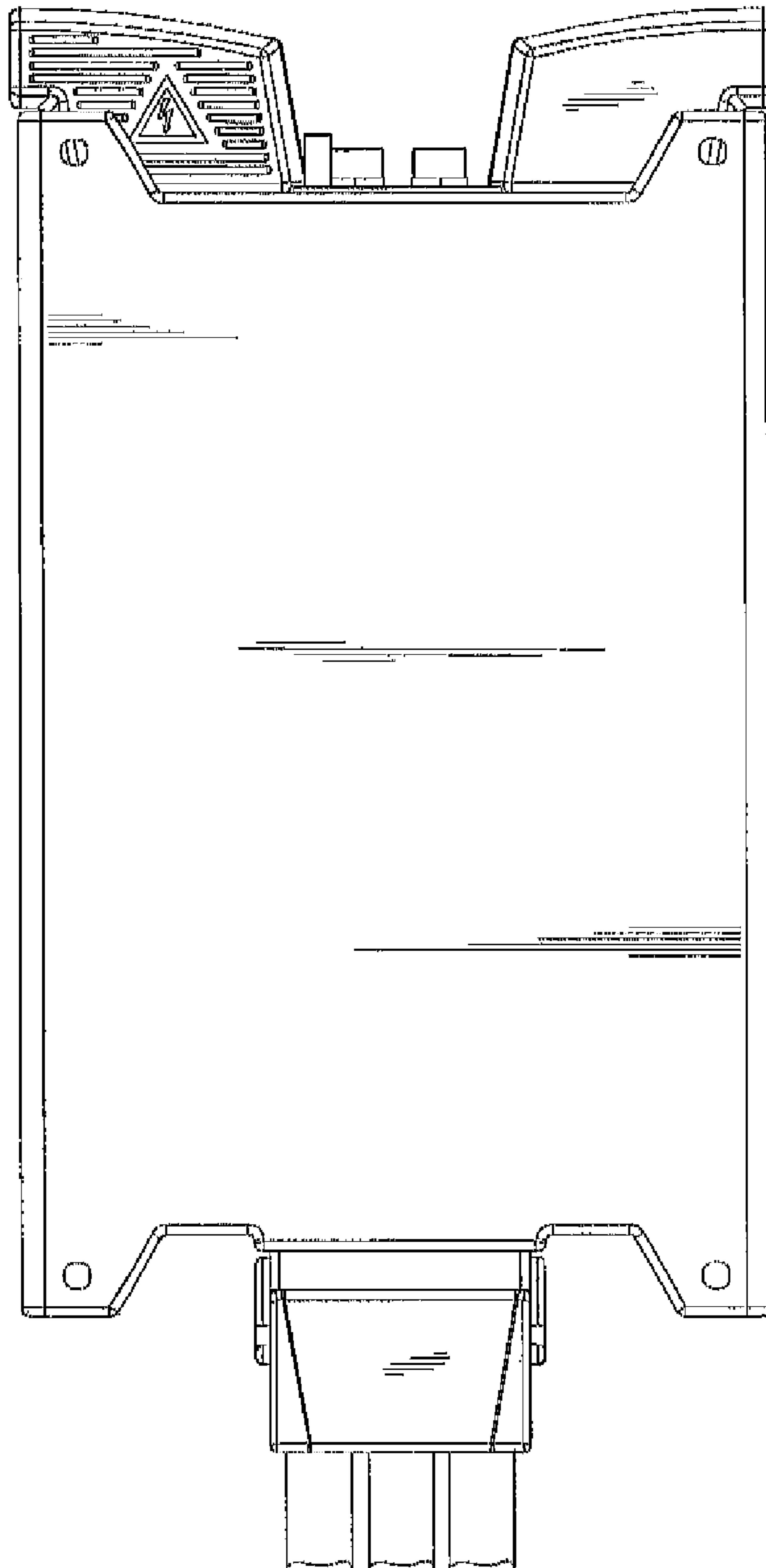


FIG. 5

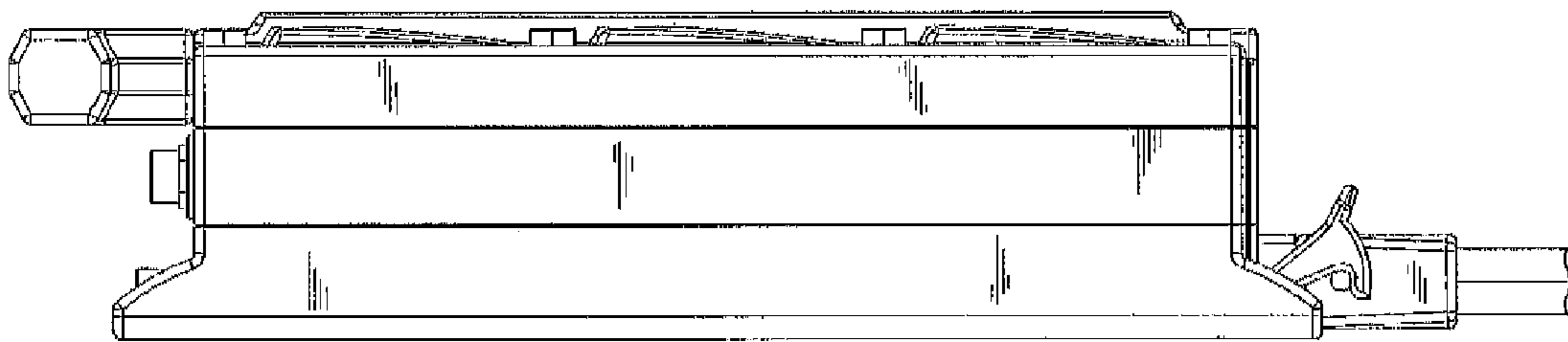


FIG. 6

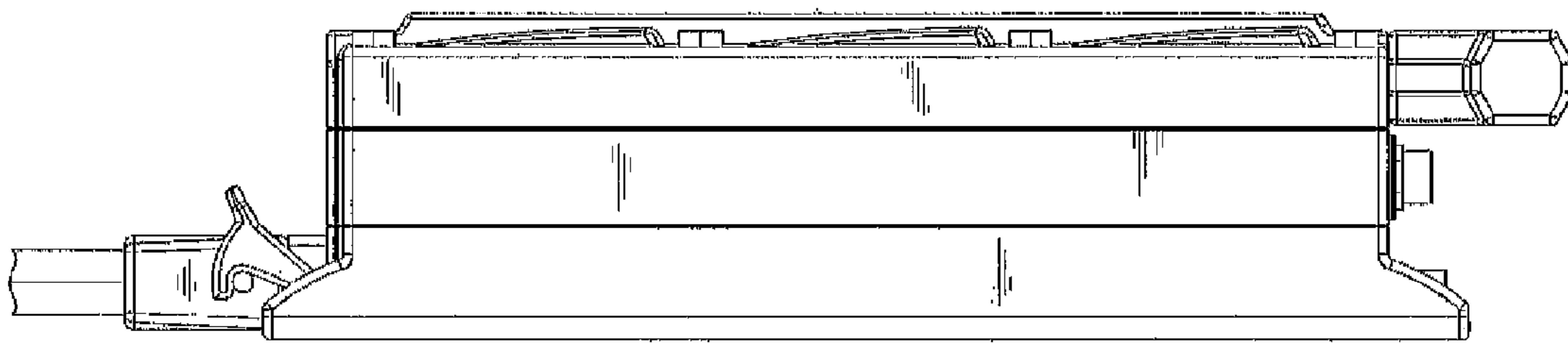


FIG. 7

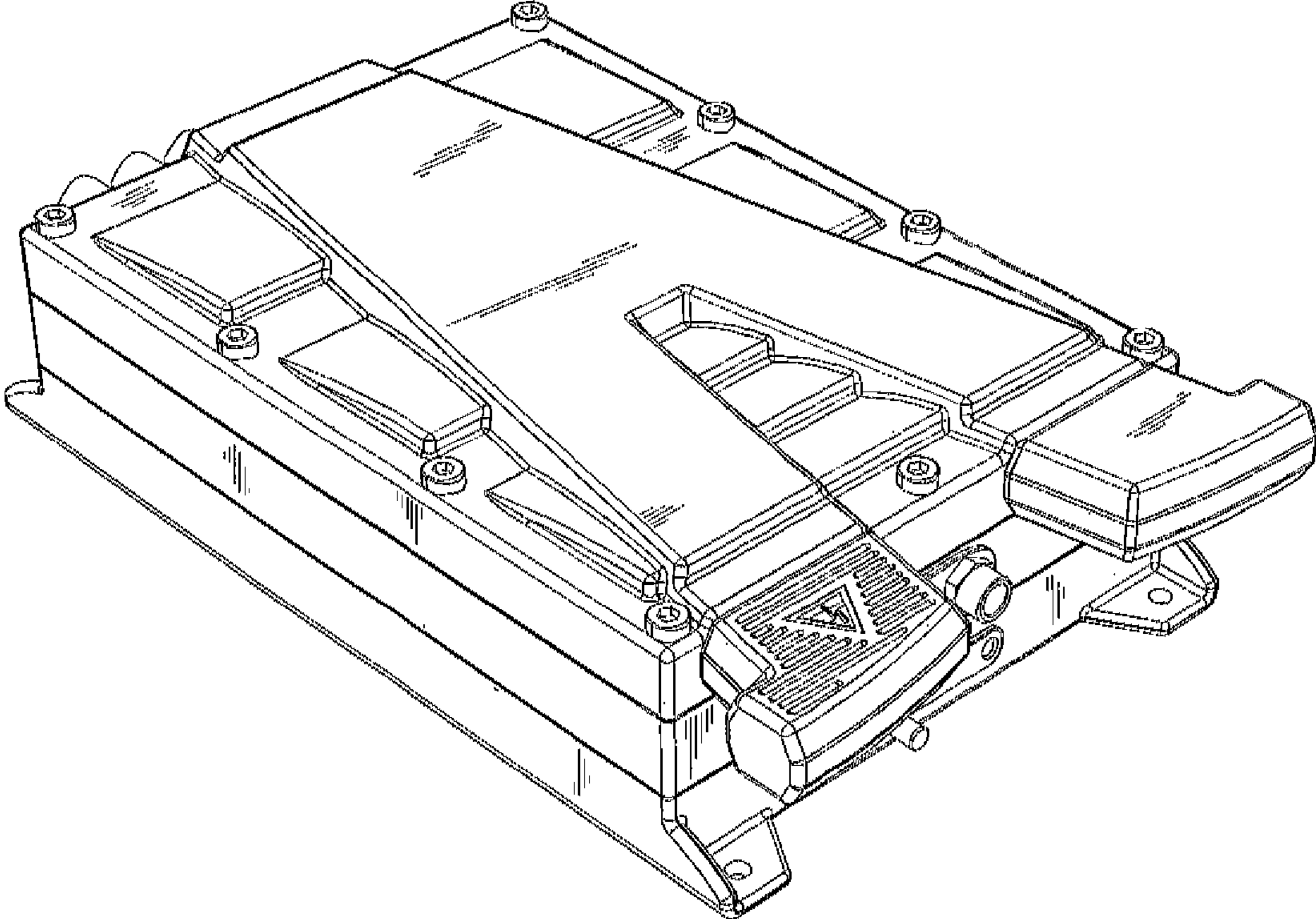


FIG. 8

