



US00D661249S

(12) **United States Design Patent**
Smith et al.

(10) **Patent No.:** **US D661,249 S**
(45) **Date of Patent:** **** Jun. 5, 2012**

(54) **MULTIMEDIA CONVERTER**
(75) Inventors: **Dustin Jonathan Smith**, Waterloo (CA);
Anders Fahrendorff, Ottawa (CA);
Todd Andrew Wood, Toronto (CA)
(73) Assignee: **Research In Motion Limited**, Waterloo,
Ontario (CA)

(**) Term: **14 Years**
(21) Appl. No.: **29/389,882**

(22) Filed: **Apr. 18, 2011**
(51) **LOC (9) Cl.** **13-02**
(52) **U.S. Cl.** **D13/110**
(58) **Field of Classification Search** D13/110,
D13/102, 107, 108, 123, 133, 184, 199; D14/217,
D14/238.1, 432, 433, 435.1, 483; 307/149,
307/150, 151; 363/140, 142, 143, 146; 439/171,
439/172, 173, 218, 518, 650-652, 692, 956
See application file for complete search history.

(56) **References Cited**

U.S. PATENT DOCUMENTS

D325,913 S * 5/1992 Takahashi et al. D14/191
D327,050 S * 6/1992 Zirinsky D13/110
D375,483 S * 11/1996 Tashiro D13/110

5,648,712 A * 7/1997 Hahn 320/111
D423,452 S * 4/2000 Fujisawa et al. D13/110
D463,416 S * 9/2002 Tomino et al. D14/240
D474,771 S * 5/2003 Deguchi et al. D14/433
D503,679 S * 4/2005 Andre et al. D13/110
D509,472 S * 9/2005 Vinciarelli et al. D13/110
D561,094 S * 2/2008 Sween et al. D13/110
D561,321 S * 2/2008 Hong D23/370
D570,772 S * 6/2008 Mahaffey et al. D13/110

* cited by examiner

Primary Examiner — Derrick Holland

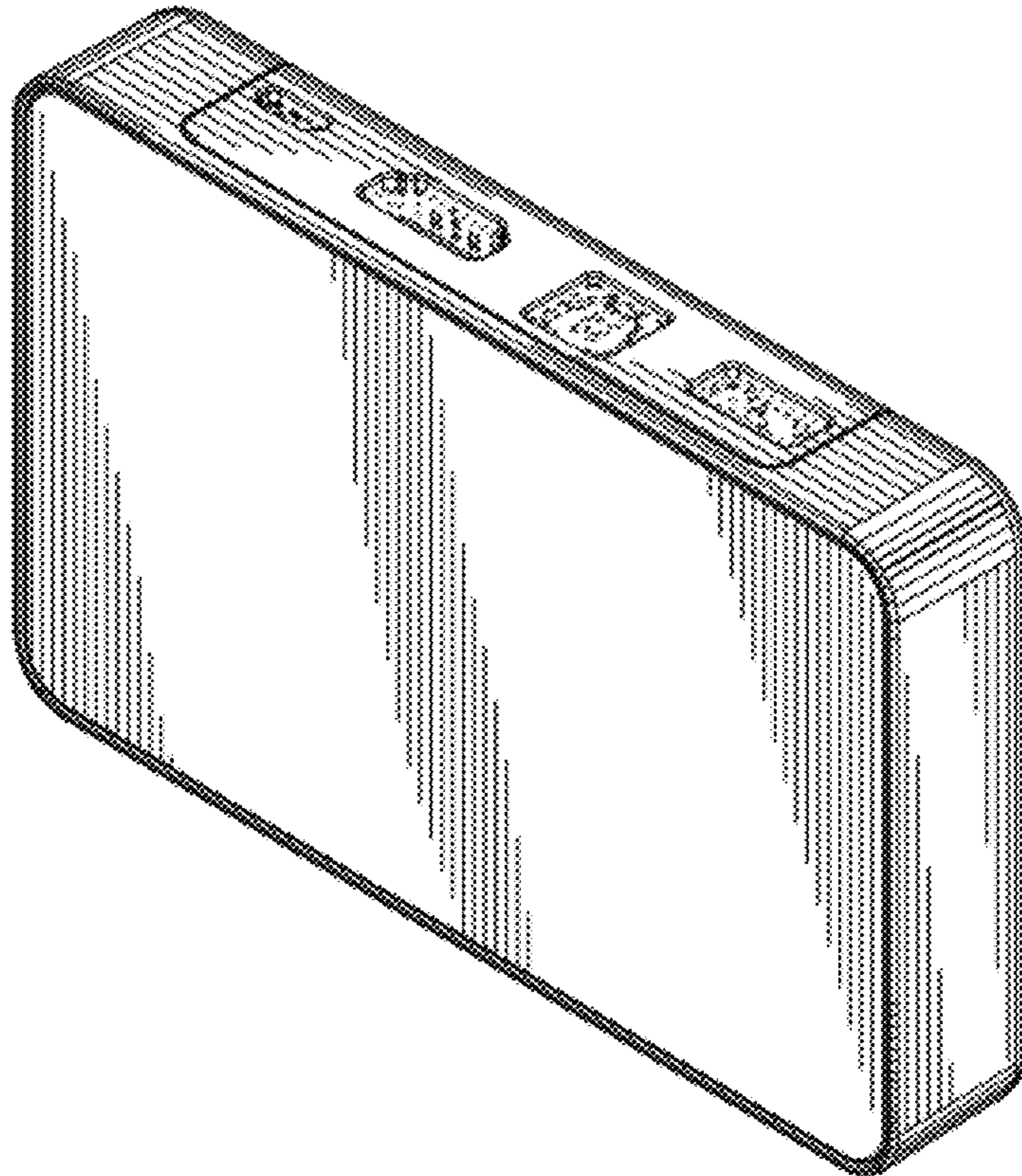
(57) **CLAIM**

We claim the ornamental design for a multimedia converter,
as shown and described.

DESCRIPTION

FIG. 1 is a front perspective view of a multimedia converter;
FIG. 2 is a back perspective view of the multimedia converter;
FIG. 3 is a front elevational view thereof;
FIG. 4 is a back elevational view thereof;
FIG. 5 is a right elevational view thereof;
FIG. 6 is a left elevational view thereof;
FIG. 7 is a top plan view thereof; and,
FIG. 8 is a bottom plan view thereof.
The broken lines shown represent unclaimed subject matter
and form no part of the claimed design.

1 Claim, 6 Drawing Sheets



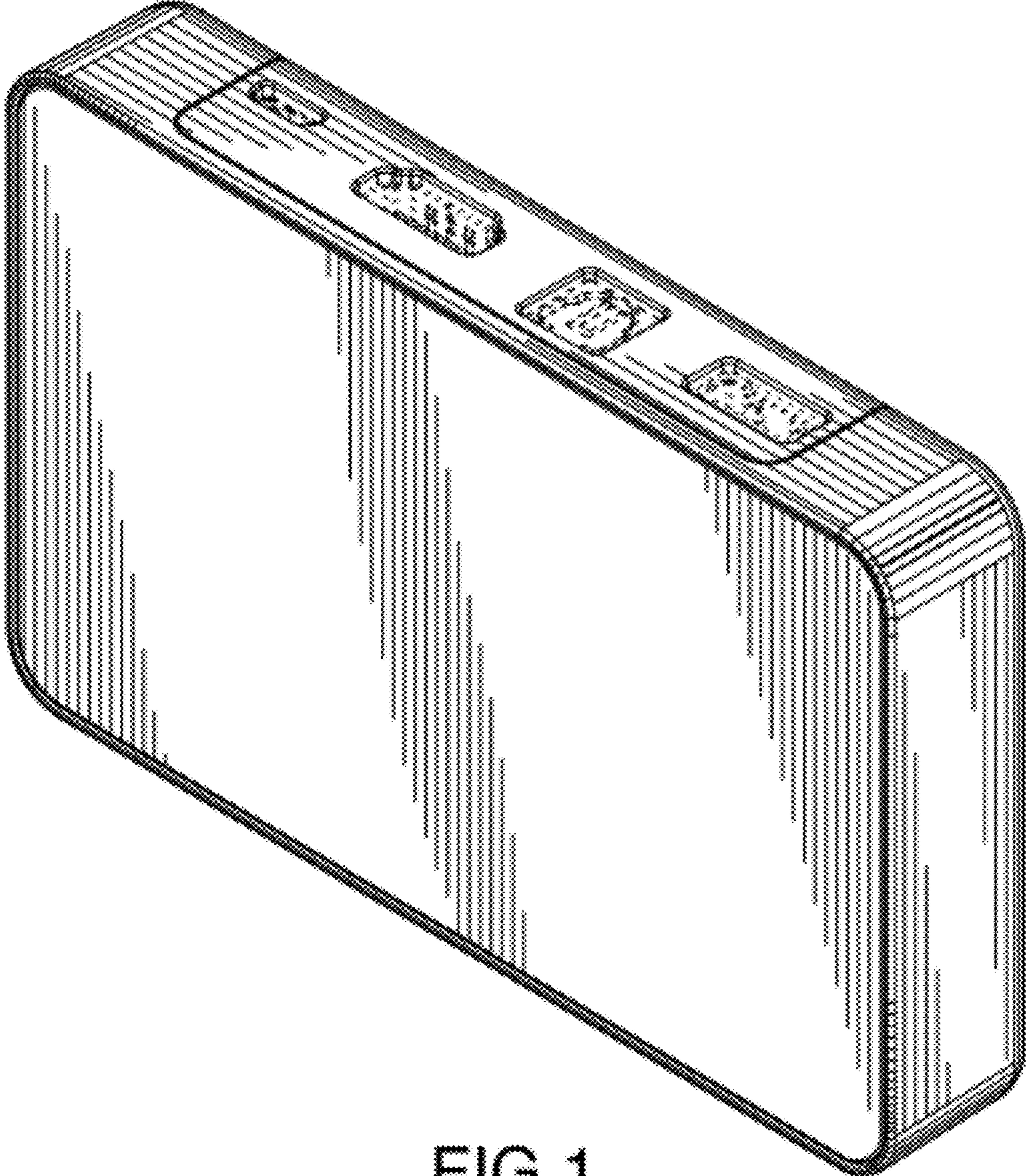


FIG. 1

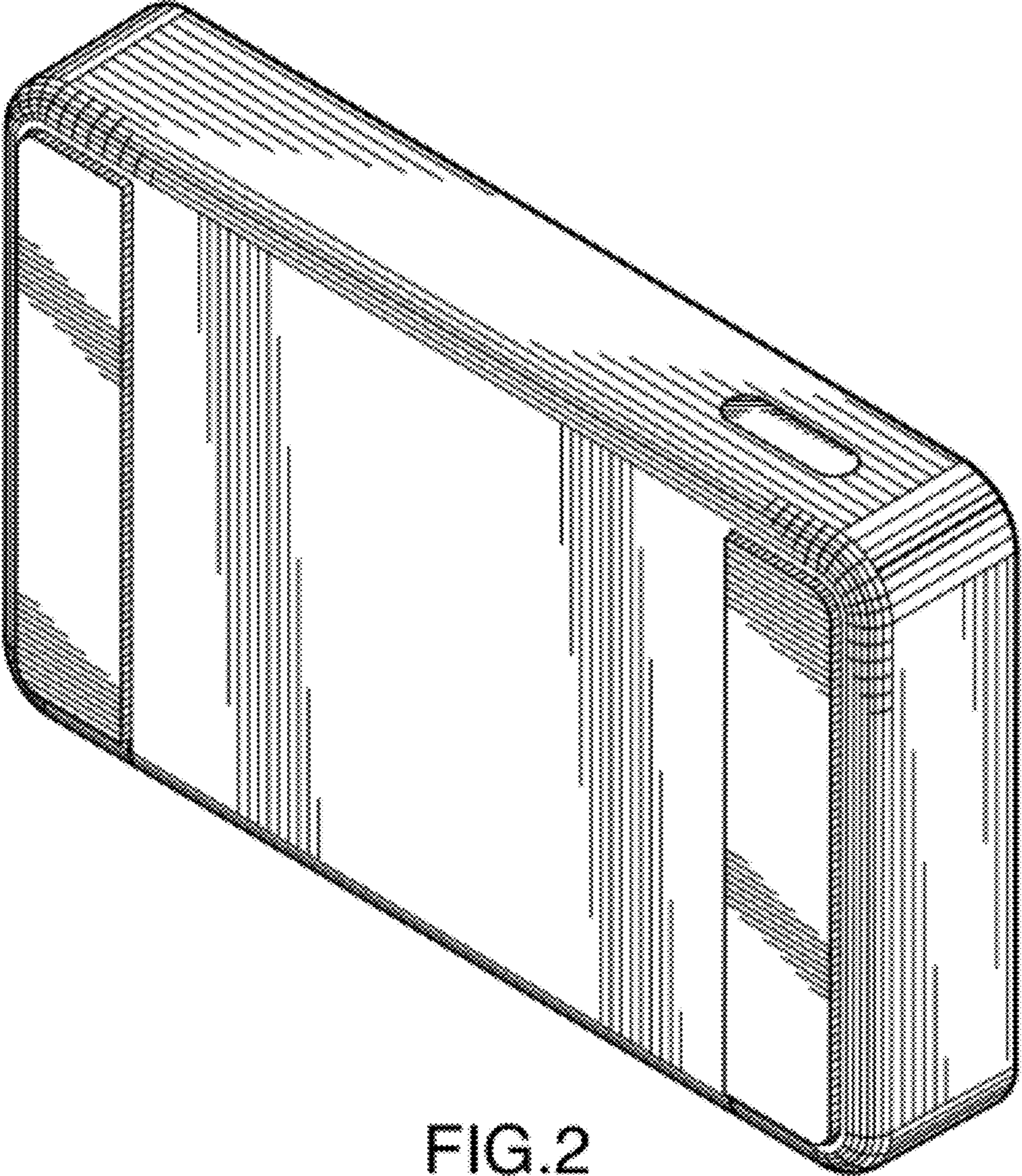


FIG.2

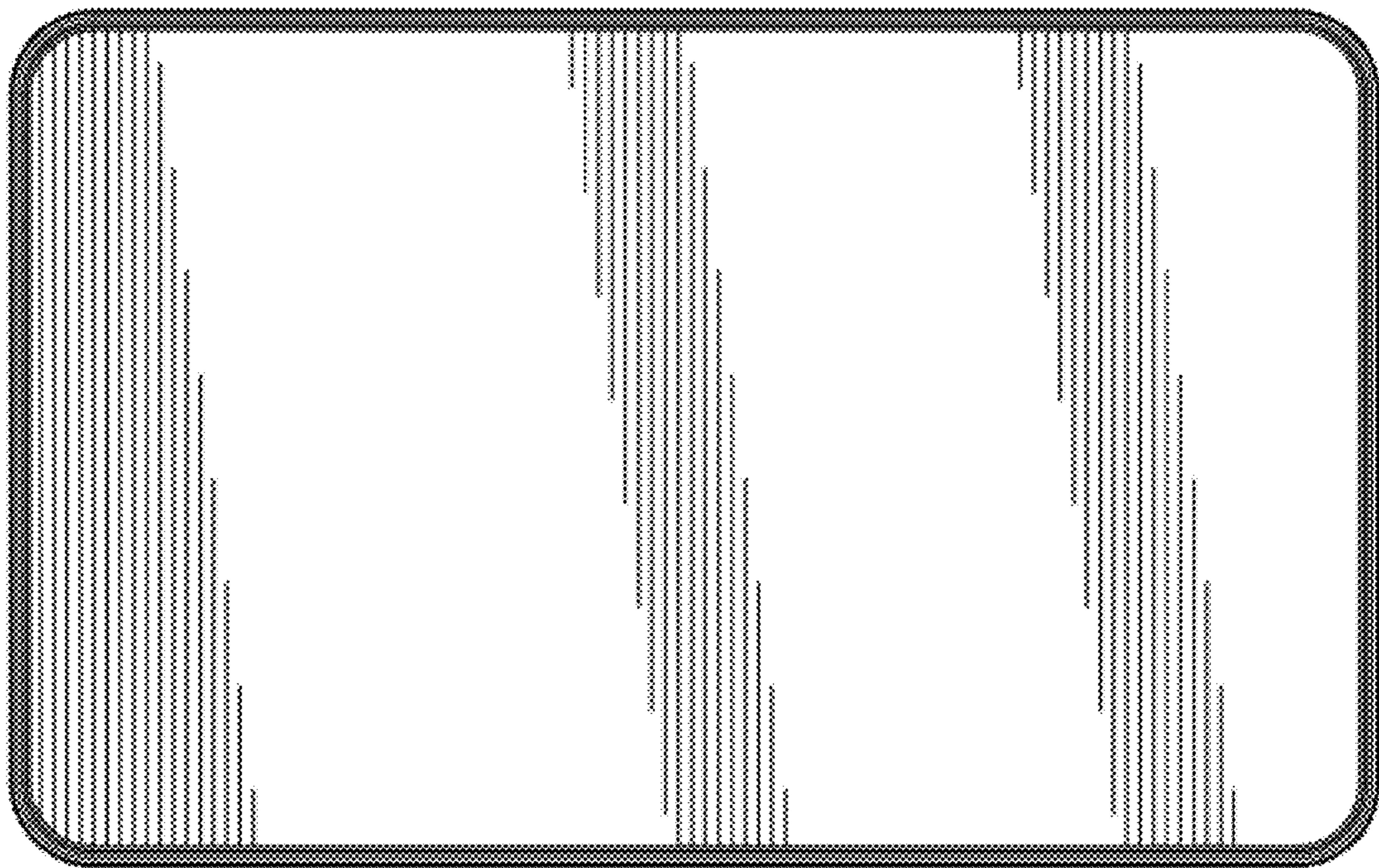


FIG.3

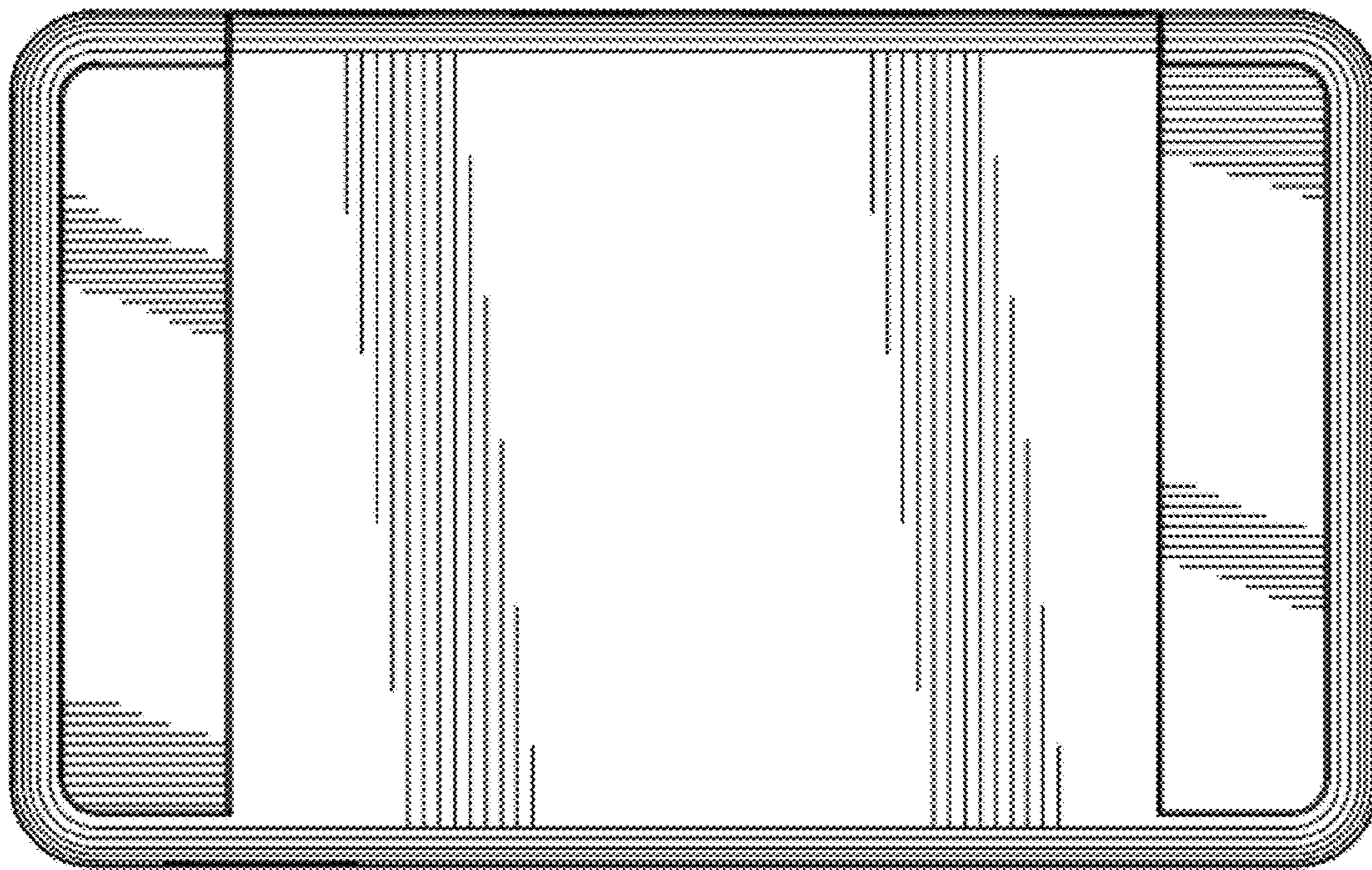


FIG.4

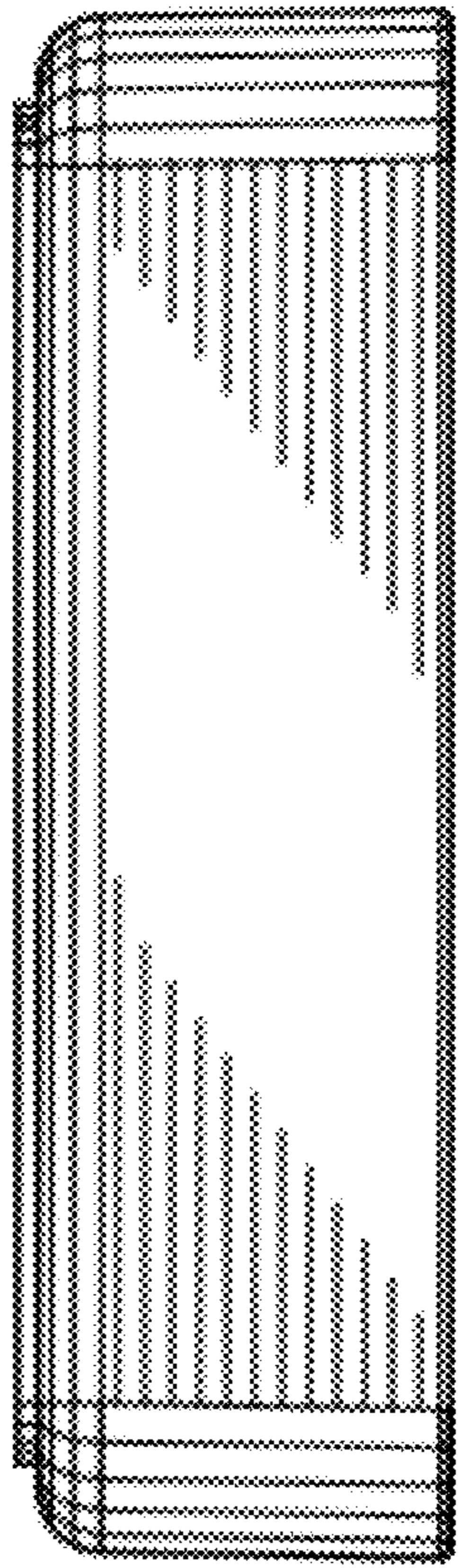


FIG. 5

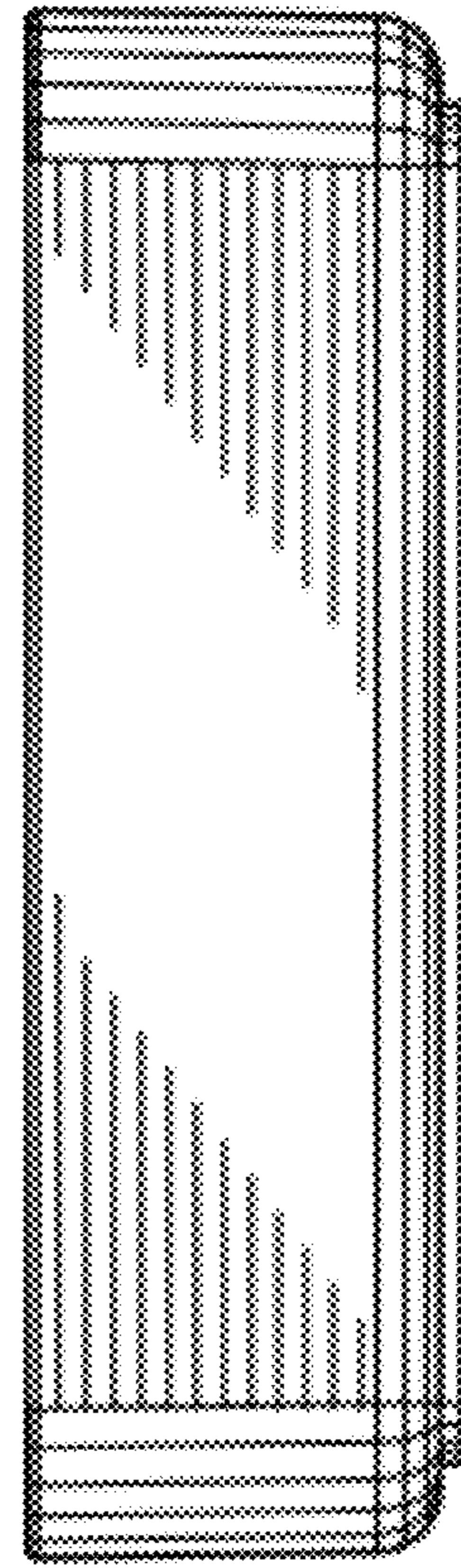


FIG. 6

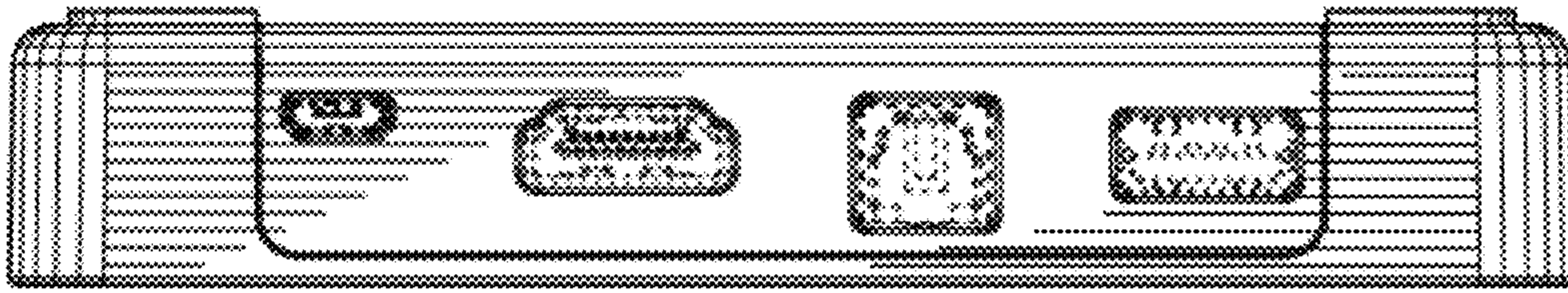


FIG. 7

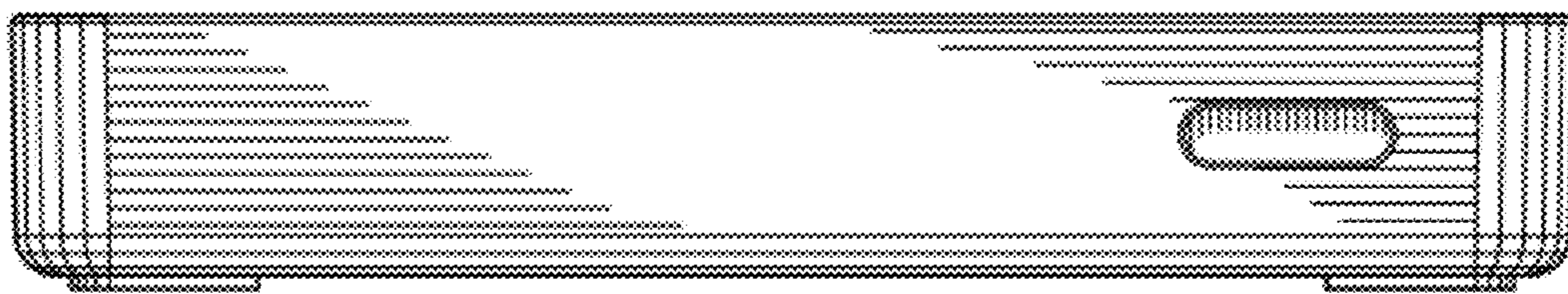


FIG. 8