

US00D661242S

(12) **United States Design Patent**  
**Schmidt-Zum Berge et al.**

(10) **Patent No.:** **US D661,242 S**  
(45) **Date of Patent:** **\*\* Jun. 5, 2012**

(54) **TIRE TREAD FOR A VEHICLE TIRE**

(75) Inventors: **Meike Schmidt-Zum Berge**, Hanover (DE); **Stefan Rittweger**, Hanover (DE)

(73) Assignee: **Continental Reifen Deutschland GmbH**, Hannover (DE)

(\*\*) Term: **14 Years**

(21) Appl. No.: **29/368,433**

(22) Filed: **Aug. 24, 2010**

(51) **LOC (9) Cl.** ..... **12-16**

(52) **U.S. Cl.** ..... **D12/517**

(58) **Field of Classification Search** ..... D12/505-532;  
152/209.1, 209.8, 209.9, 209.12, 209.18,  
152/209.25

See application file for complete search history.

(56) **References Cited**

**U.S. PATENT DOCUMENTS**

- D385,240 S \* 10/1997 Gauthier ..... D12/528
- D639,722 S \* 6/2011 Sieber et al. .... D12/532
- D647,453 S \* 10/2011 Nomura et al. .... D12/517

\* cited by examiner

*Primary Examiner* — George D Kirschbaum

(74) *Attorney, Agent, or Firm* — Laurence A. Greenberg;  
Werner H. Stemer; Ralph E. Locher

(57) **CLAIM**

The ornamental design for a tire tread of a vehicle tire, as shown and described.

**DESCRIPTION**

FIG. 1 is a perspective view of the vehicle tire, showing our new design;

FIG. 2 is a front elevational view thereof;

FIG. 3 is an enlarged partial front view thereof;

FIG. 4 is a right side elevational view thereof; and,

FIG. 5 is a left side elevational view thereof.

It is understood that the claimed tire tread pattern is intended to be applied to the entire surface of the tire, as indicated schematically in solid lines in the drawings.

In the drawings, the broken lines defining the sidewall, and inner bead depict environmental subject matter that forms no part of the claimed design.

**1 Claim, 5 Drawing Sheets**

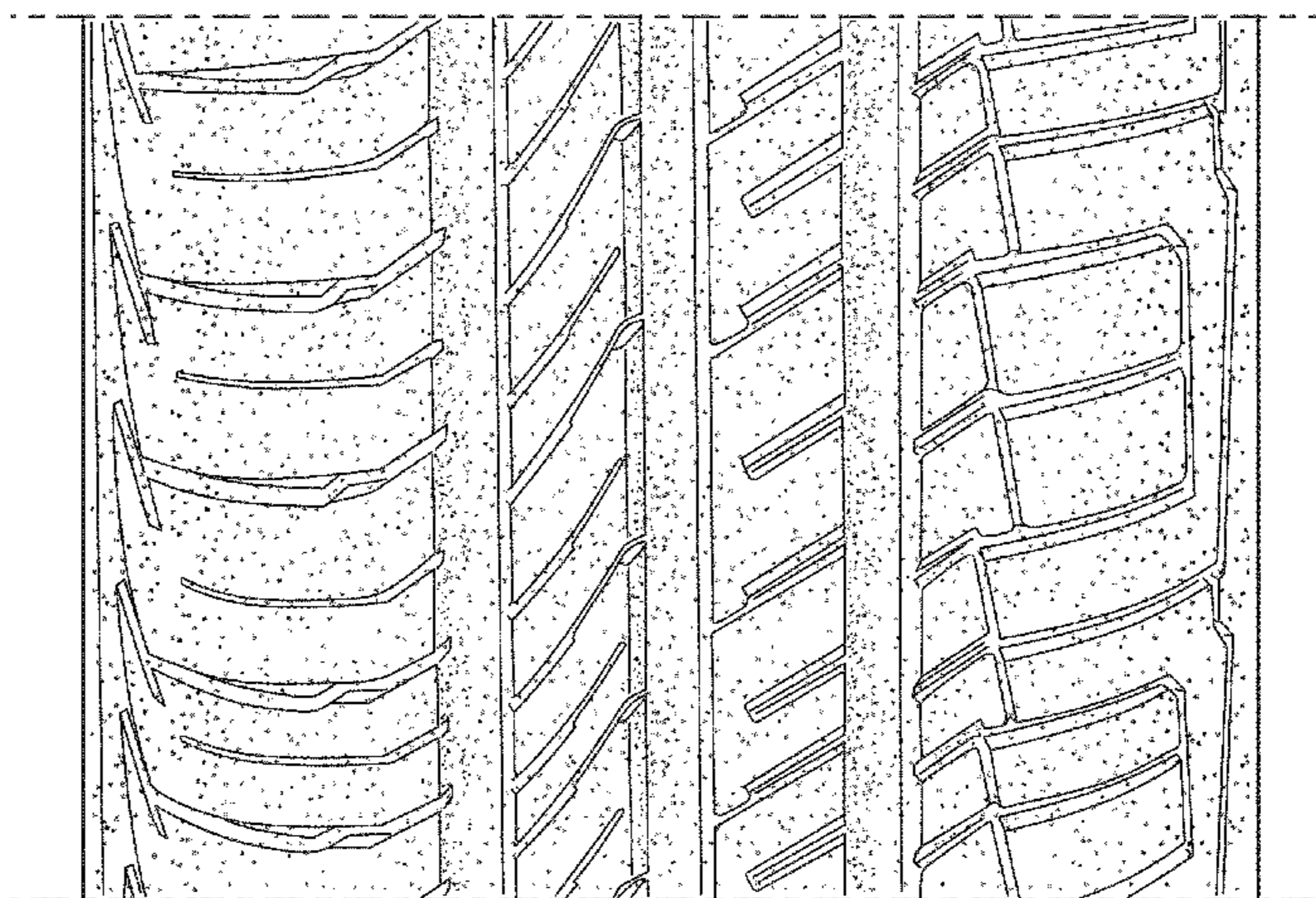
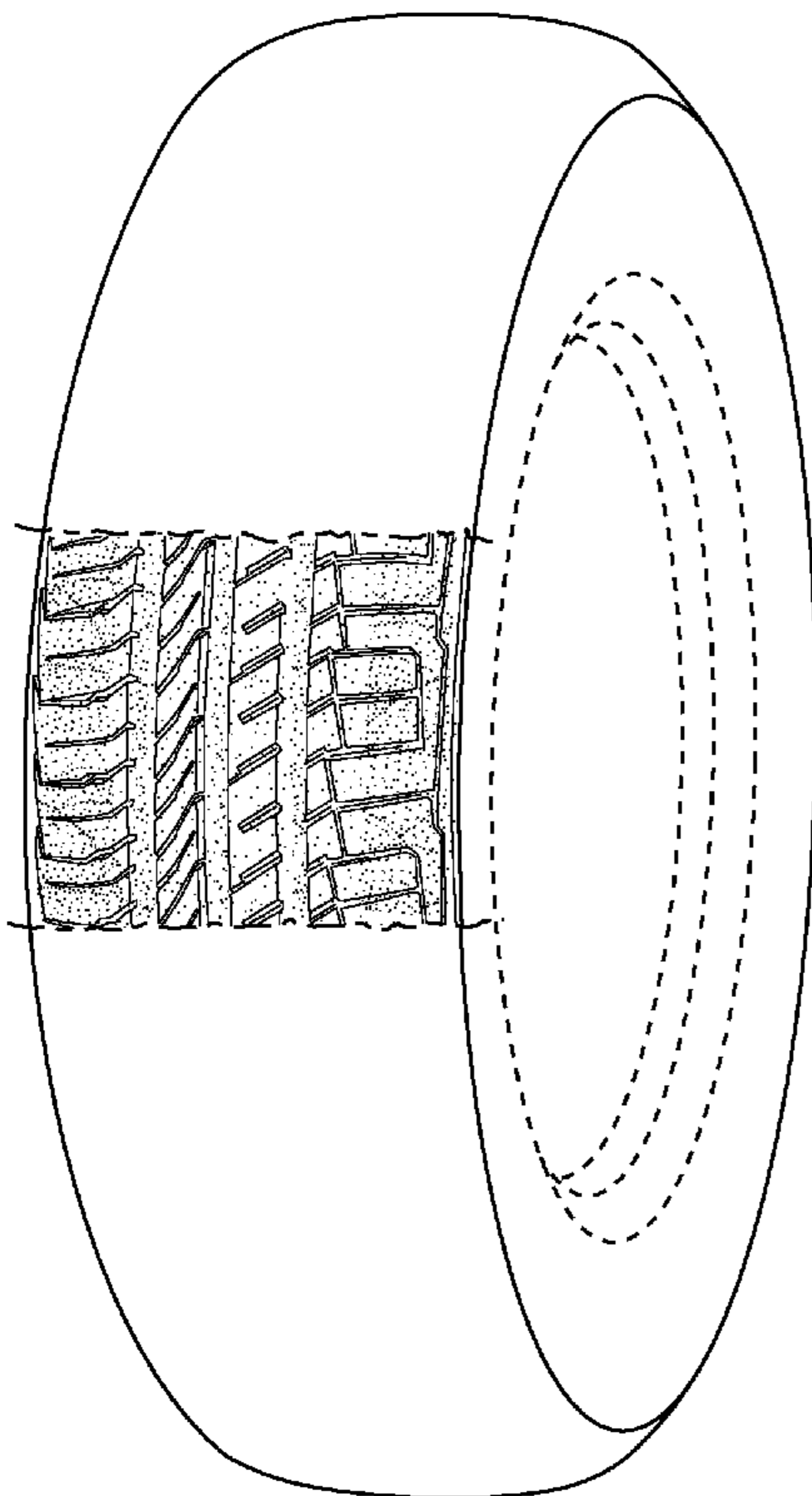


FIG. 1

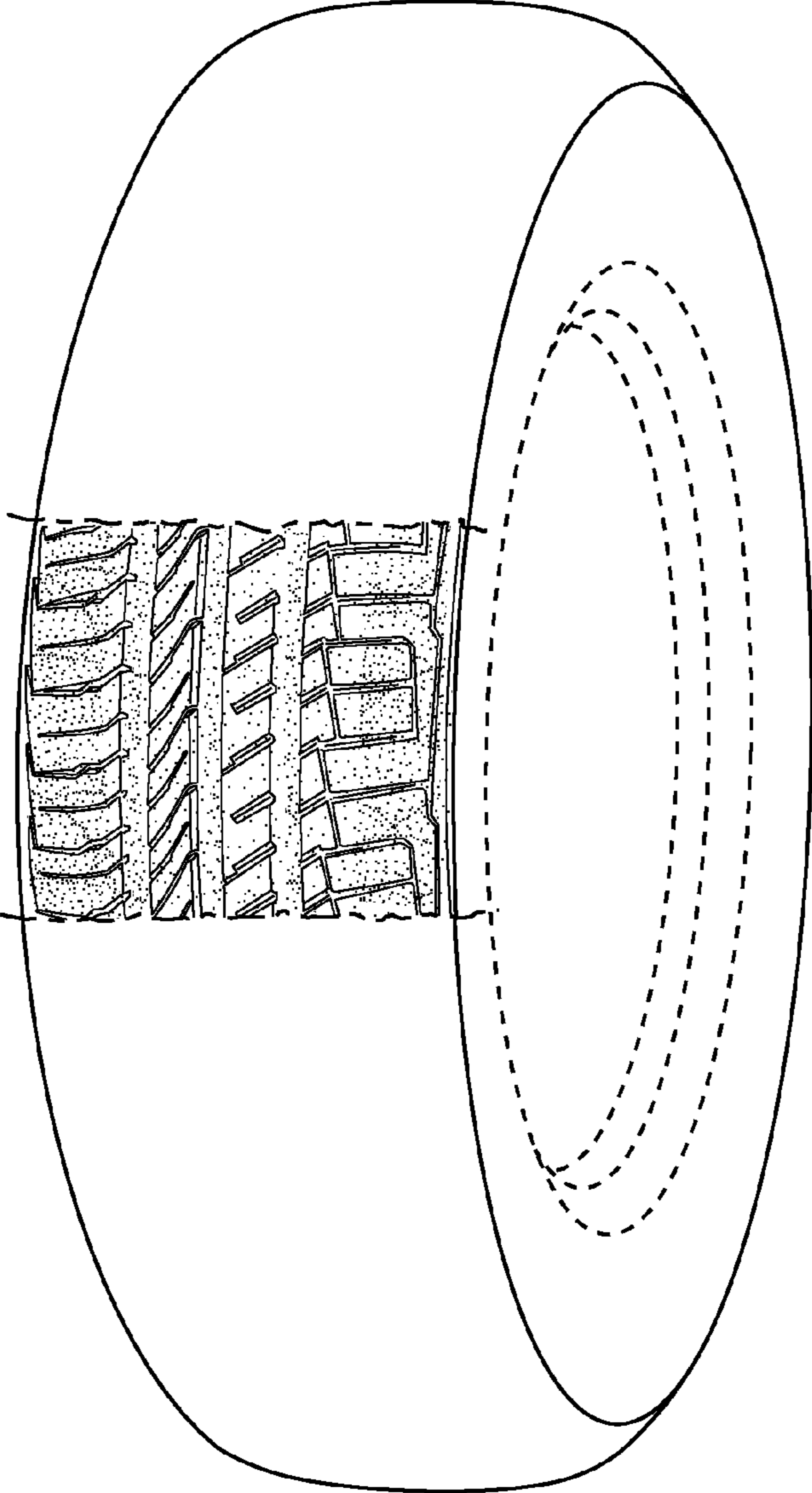


FIG. 2

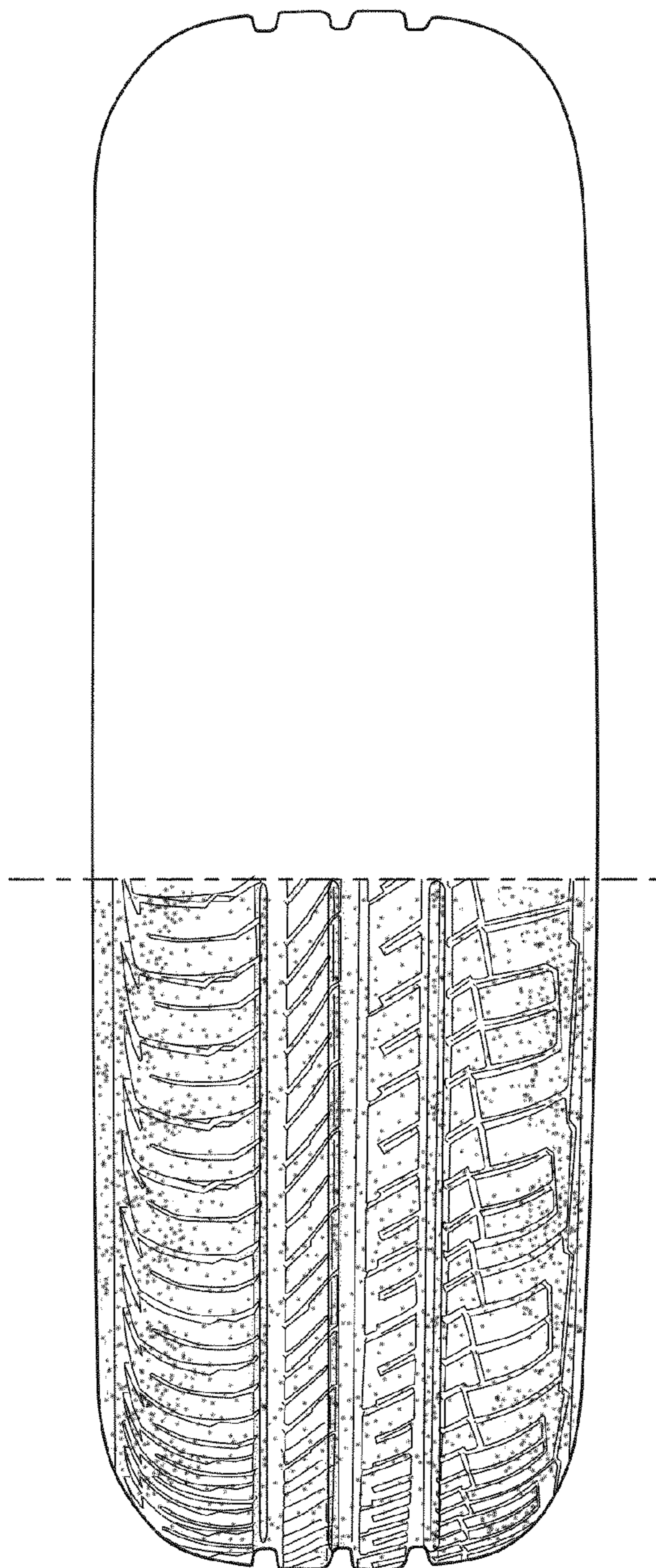
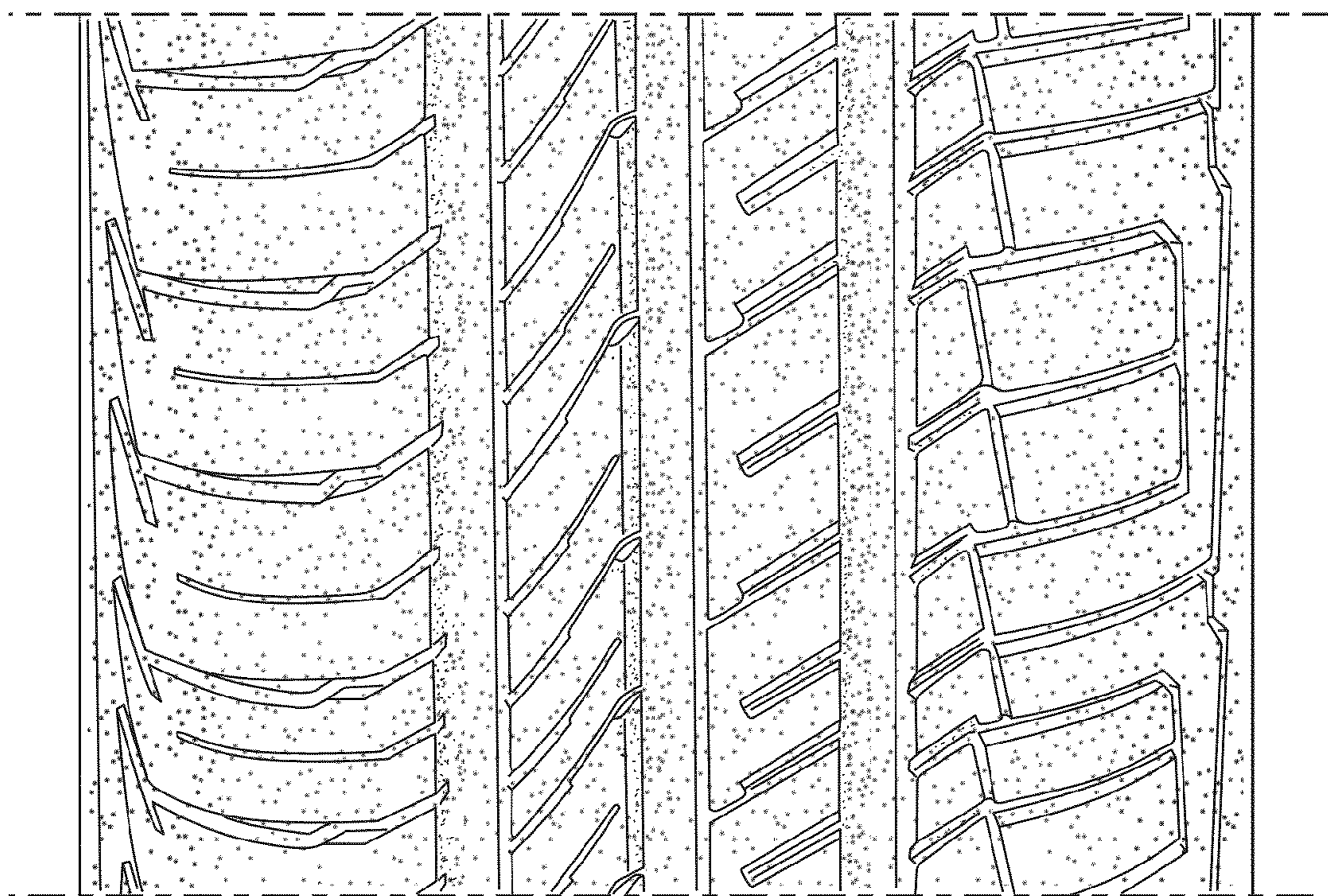


FIG. 3



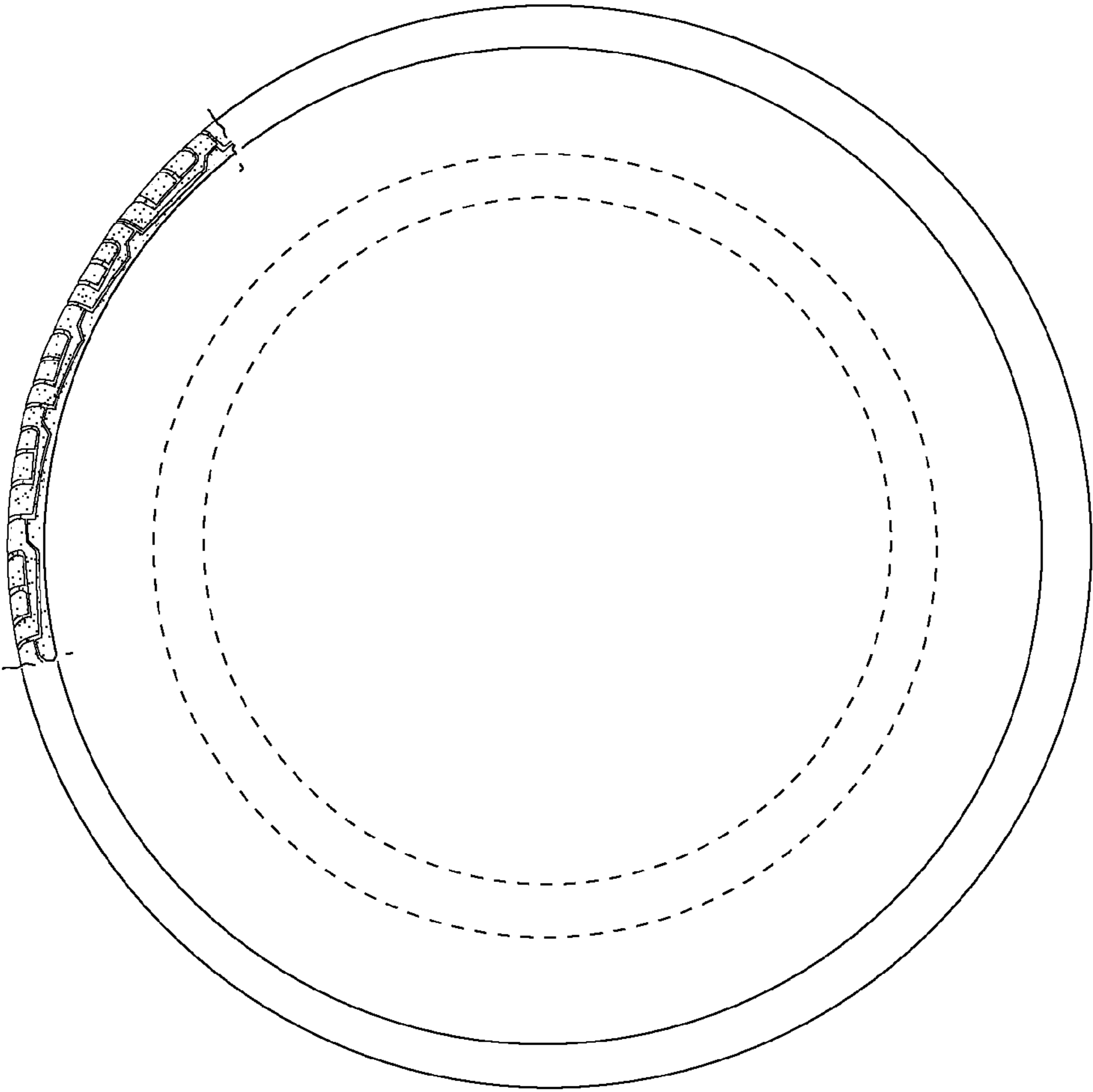


FIG. 4

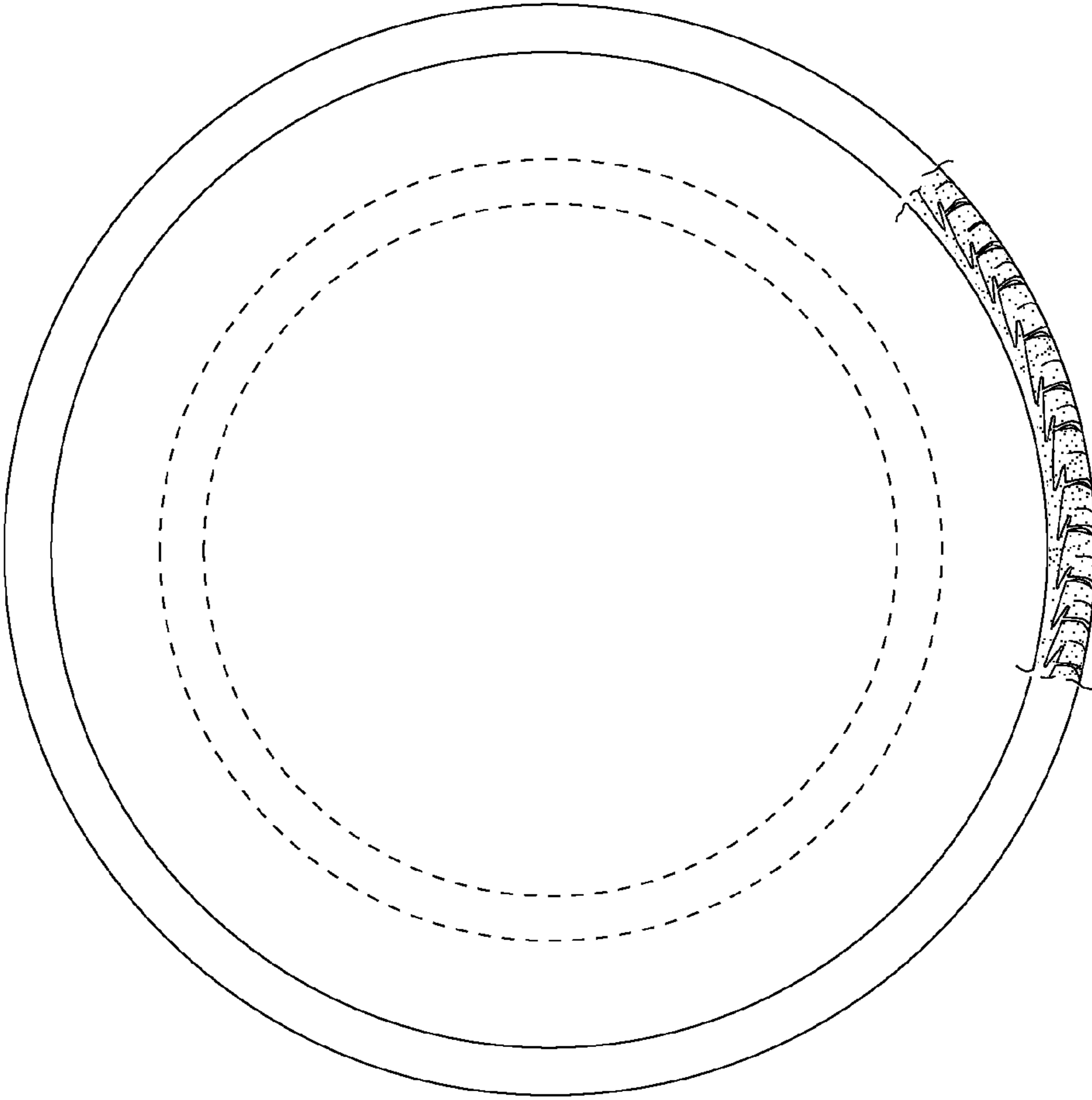


FIG. 5