



US00D661238S

(12) **United States Design Patent**
Chan

(10) **Patent No.:** **US D661,238 S**
(45) **Date of Patent:** **** Jun. 5, 2012**

(54) **VEHICLE WHEEL**

(75) Inventor: **Albert Tam-san Chan**, Kowloon (HK)

(73) Assignee: **MCW Limited**, Hong Kong (HK)

(**) Term: **14 Years**

(21) Appl. No.: **29/394,135**

(22) Filed: **Jun. 13, 2011**

(30) **Foreign Application Priority Data**

Dec. 14, 2010 (CN) 2010 3 0704009

(51) **LOC (9) Cl.** **12-16**

(52) **U.S. Cl.** **D12/209**

(58) **Field of Classification Search** D12/204-213;
301/37.101, 64.101, 65, 64.201

See application file for complete search history.

(56) **References Cited**

U.S. PATENT DOCUMENTS

D512,008 S *	11/2005	Tirado	D12/209
D547,709 S *	7/2007	James	D12/209
D550,138 S *	9/2007	Walbey, Jr.	D12/209
D557,192 S *	12/2007	Walbey, Jr.	D12/209
D575,717 S *	8/2008	Hetrick	D12/209
D618,154 S *	6/2010	Zhao	D12/209

D618,606 S *	6/2010	Zhao	D12/209
D620,867 S *	8/2010	Zhao	D12/209
D622,651 S *	8/2010	Zhao	D12/209
D642,106 S *	7/2011	Antoniadis et al.	D12/209

* cited by examiner

Primary Examiner — Stacia Cadmus

(74) *Attorney, Agent, or Firm* — Law Office of Sergei Orel, LLC

(57) **CLAIM**

I claim the ornamental design for a vehicle wheel, as shown and described.

DESCRIPTION

FIG. 1 is a top view of the vehicle wheel showing my new design;

FIG. 2 is a front view thereof;

FIG. 3 is a rear view thereof;

FIG. 4 is a bottom view thereof;

FIG. 5 is a side view thereof;

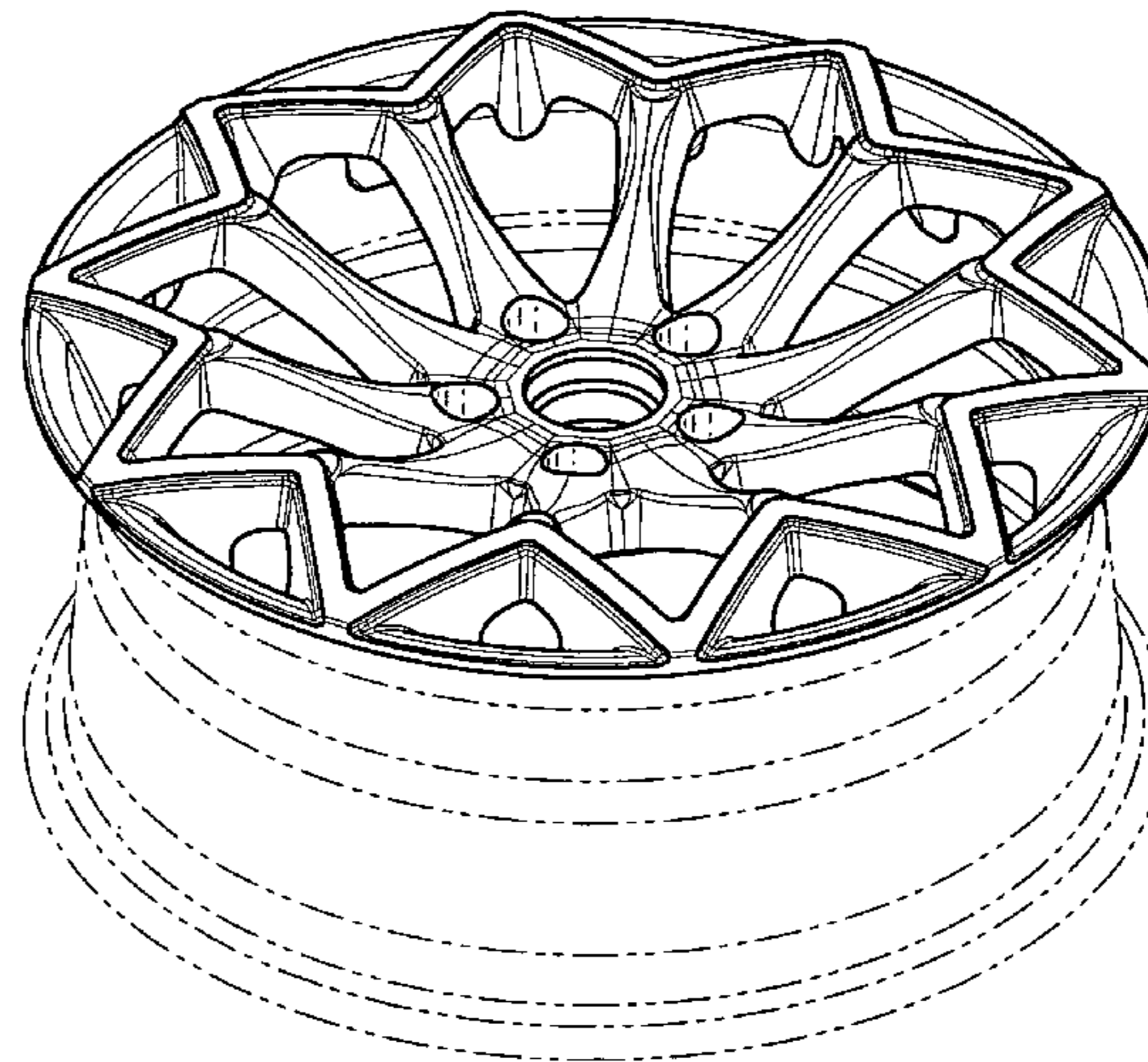
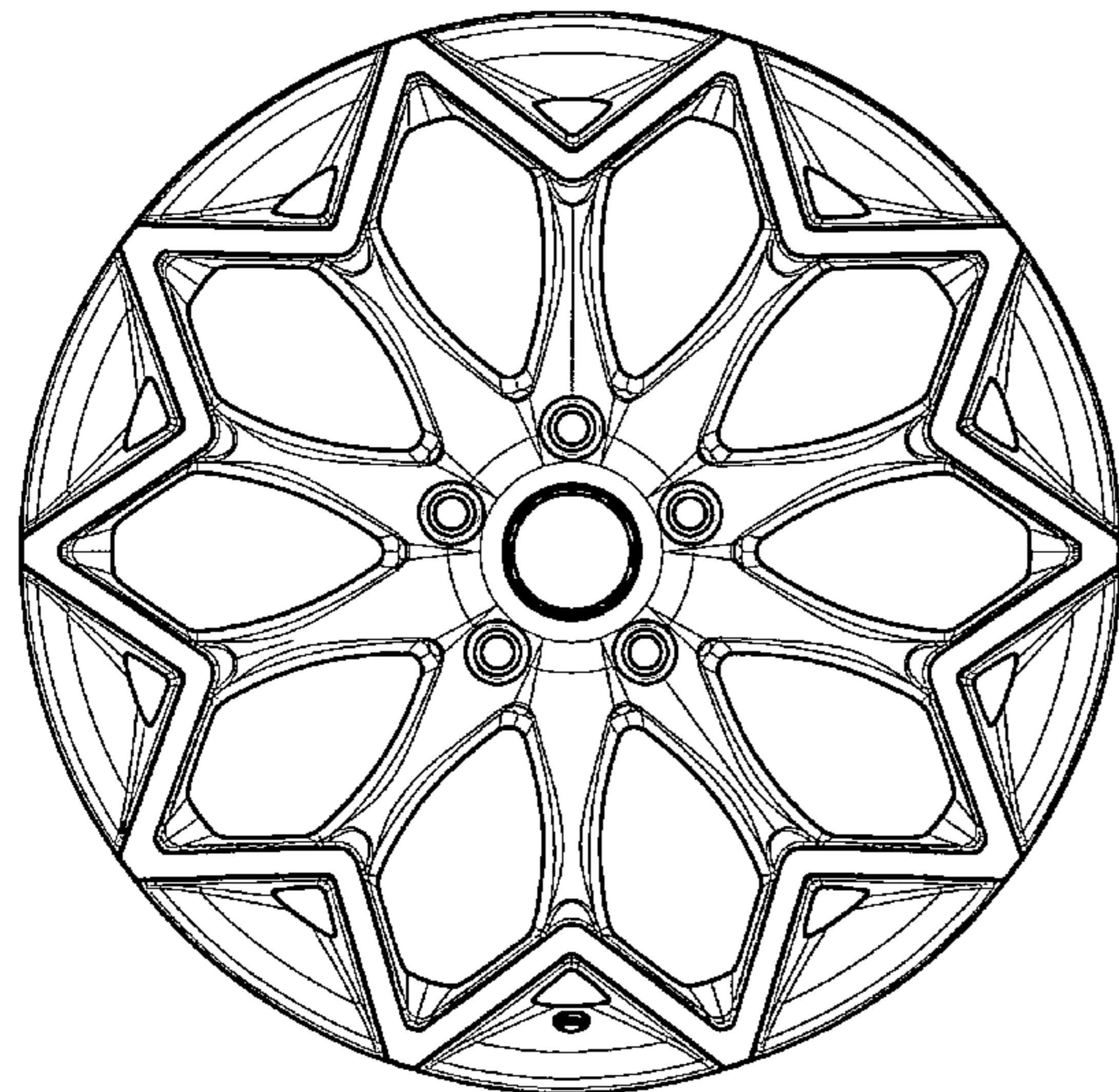
FIG. 6 is an opposite side view thereof;

FIG. 7 is a front perspective view thereof; and,

FIG. 8 is an rear perspective view thereof.

The broken line showing of the rim is included for the purpose of illustrating environment and forms no part of the claimed design.

1 Claim, 5 Drawing Sheets



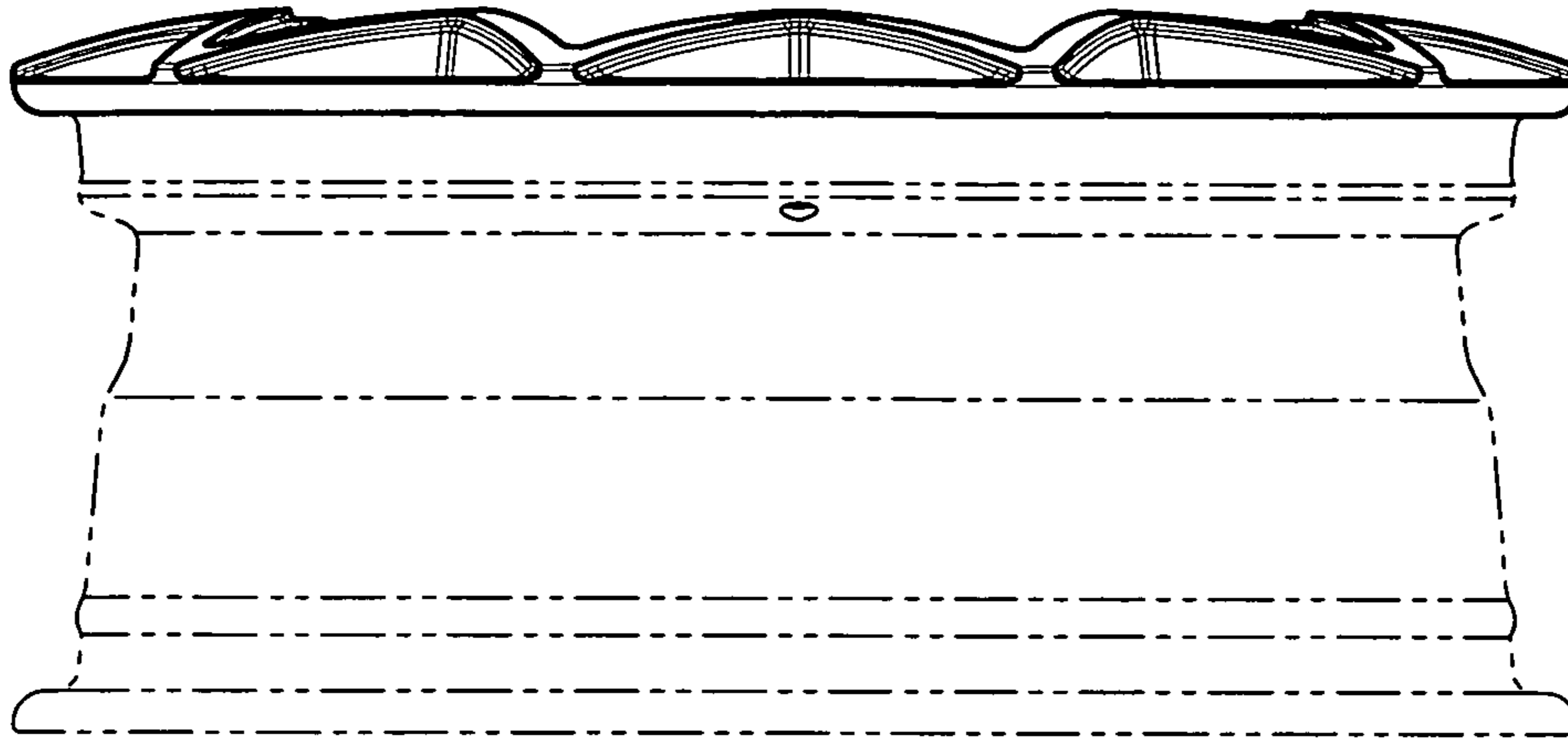


Fig.1

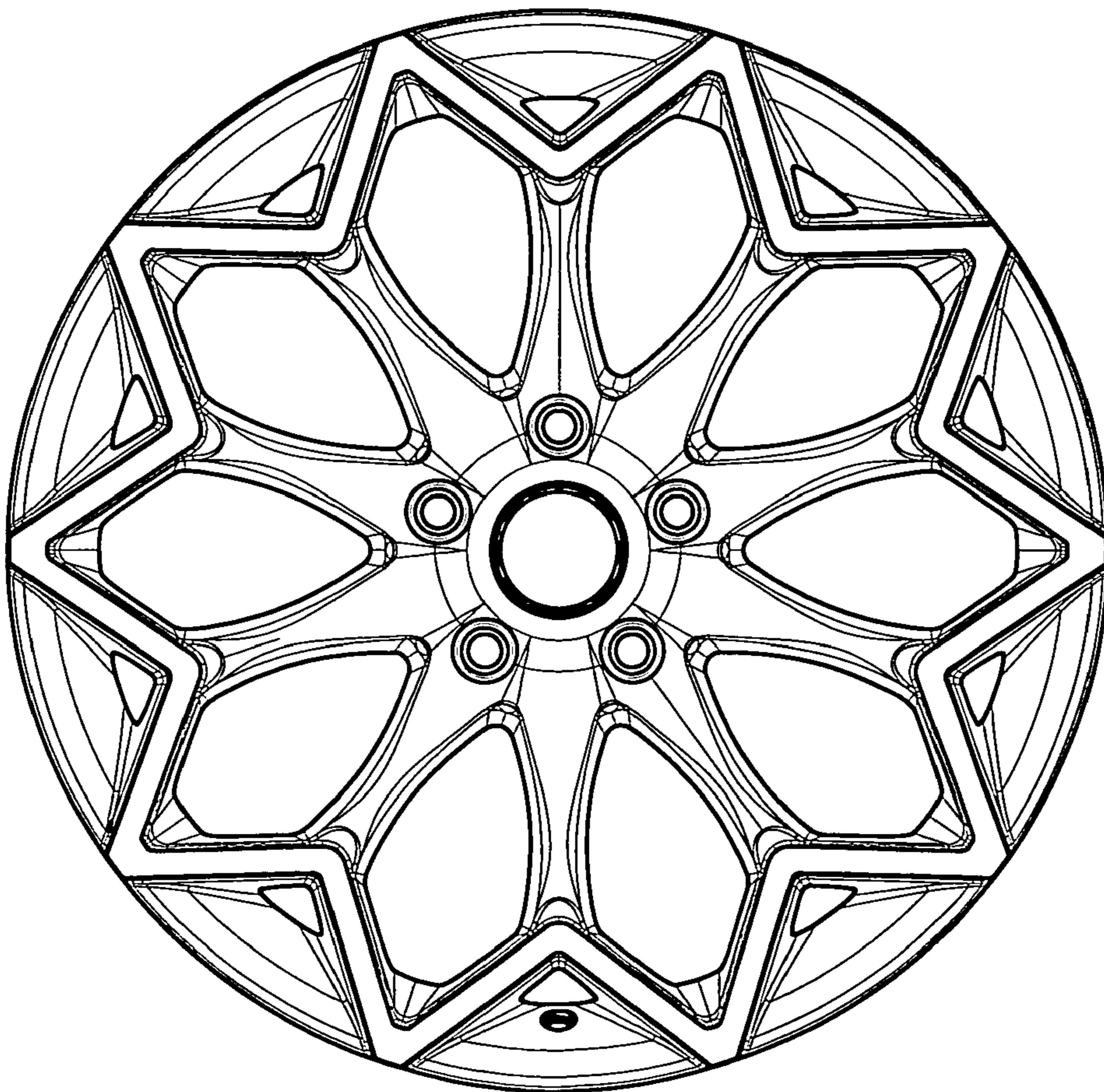


Fig.2

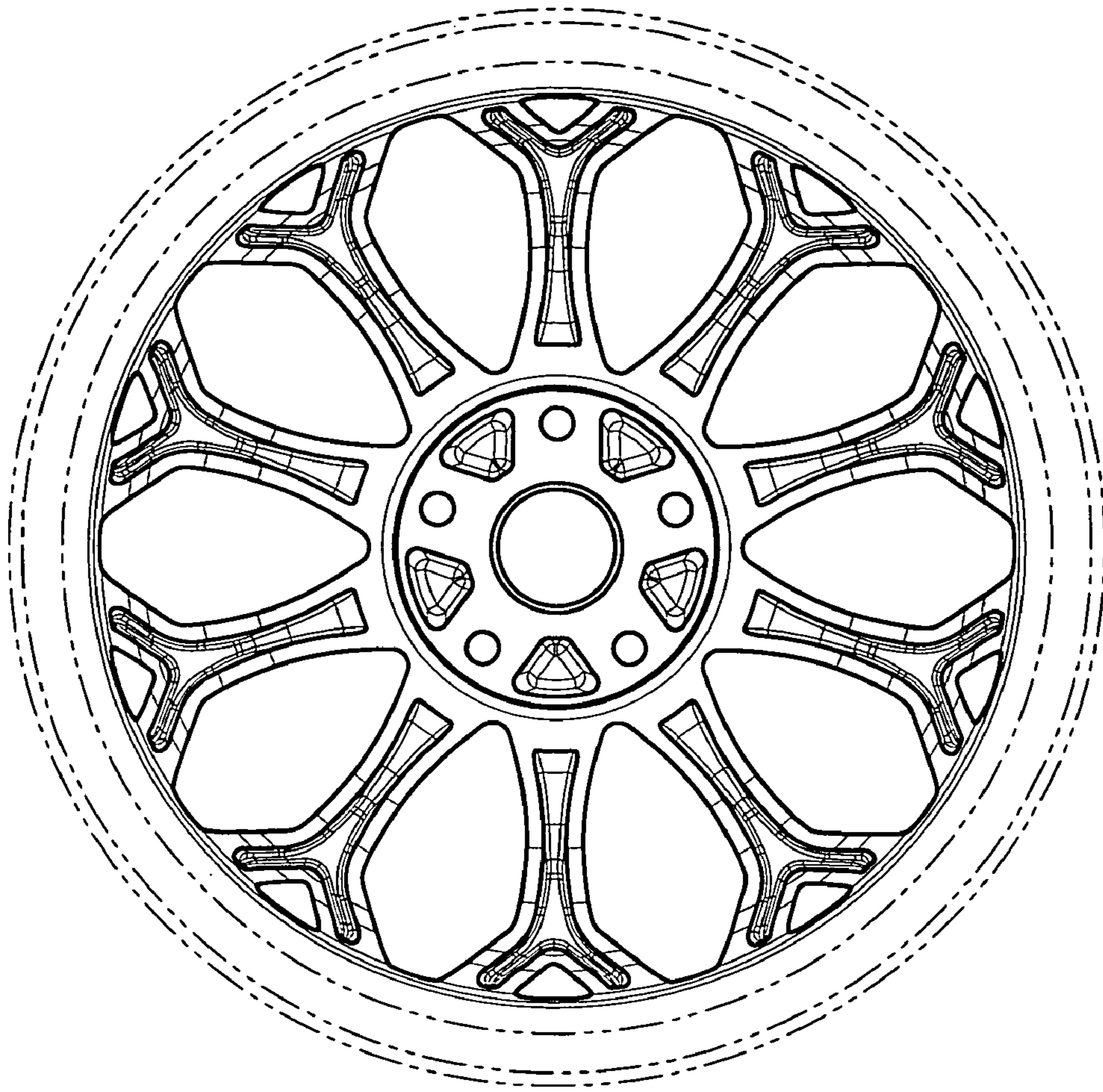


Fig.3

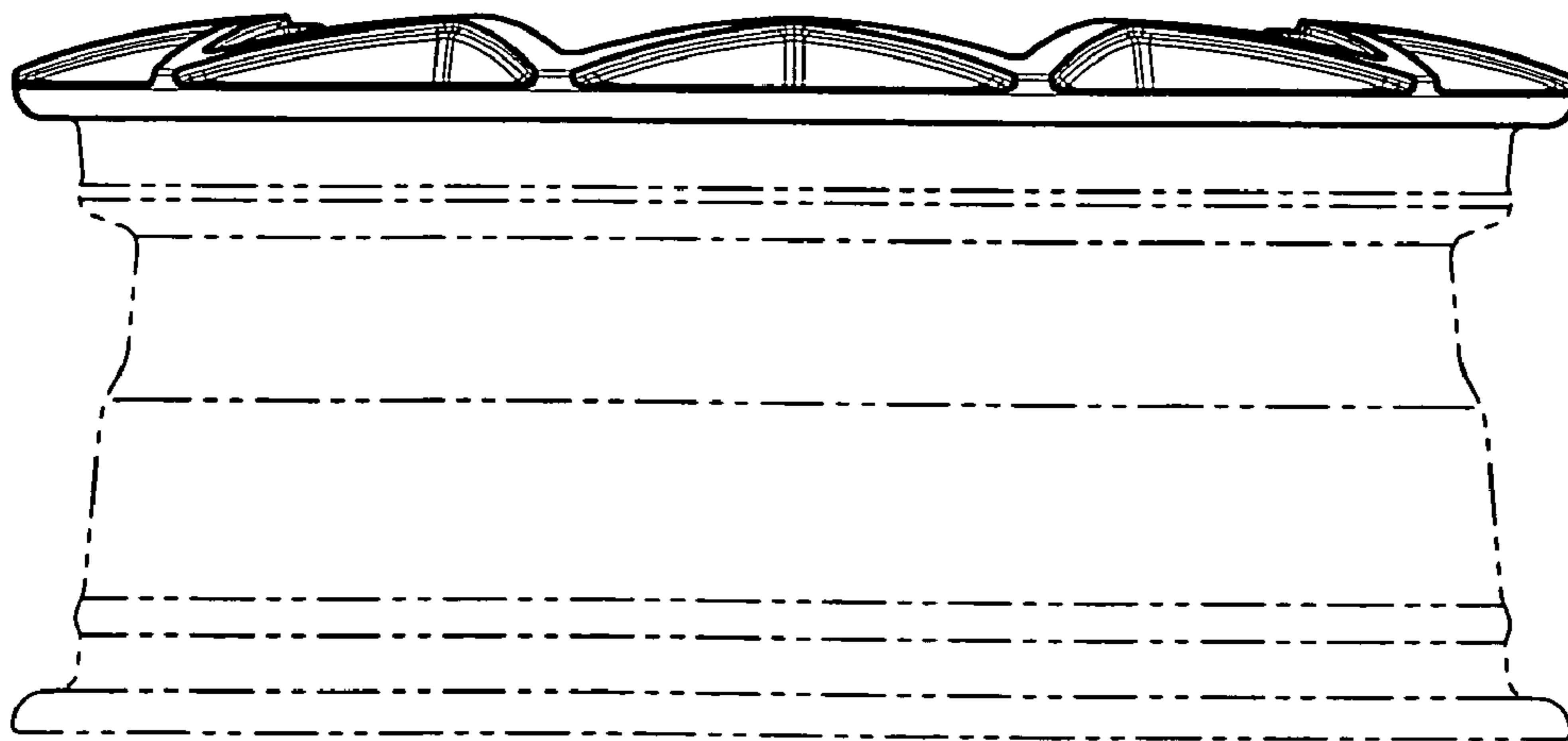


Fig.4

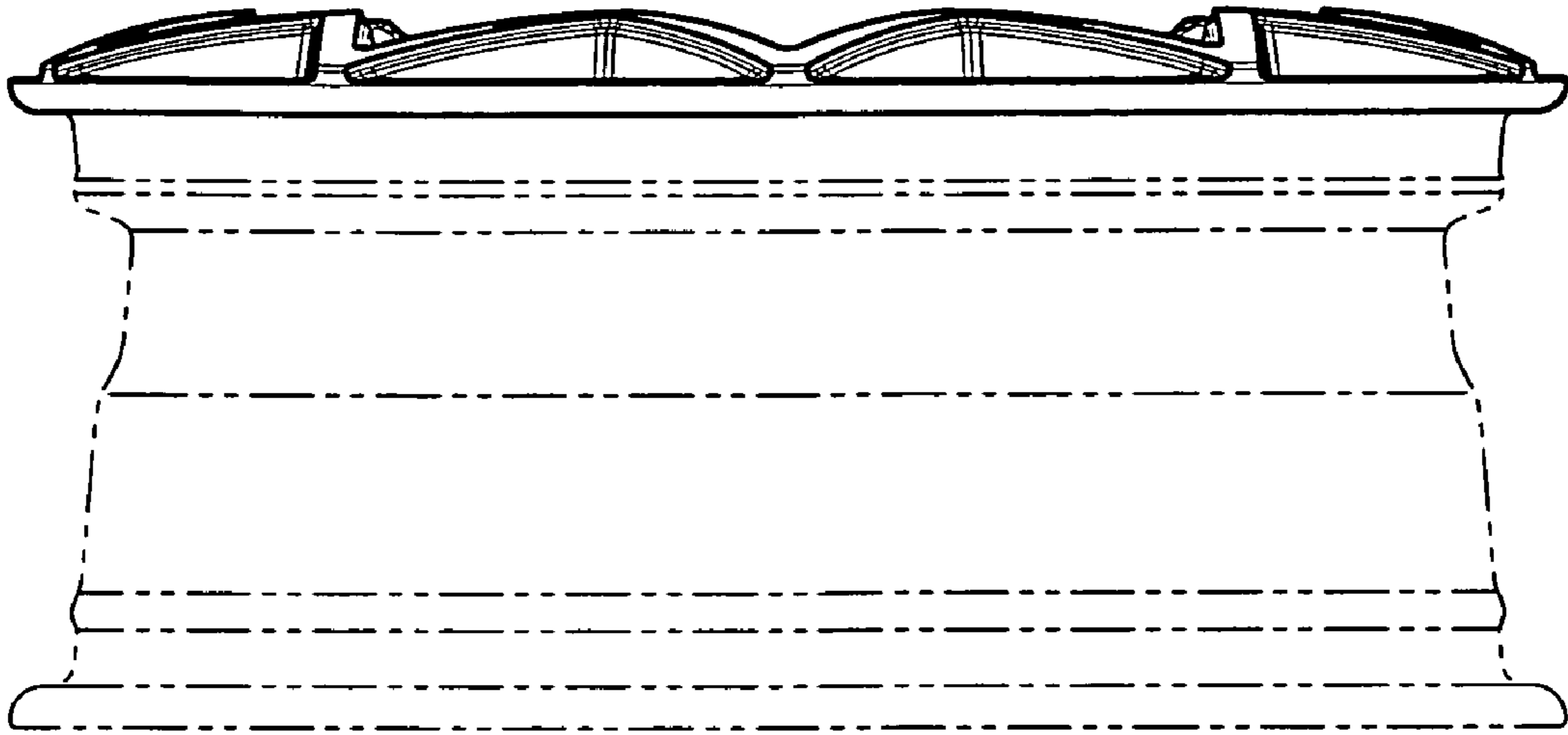


Fig.5

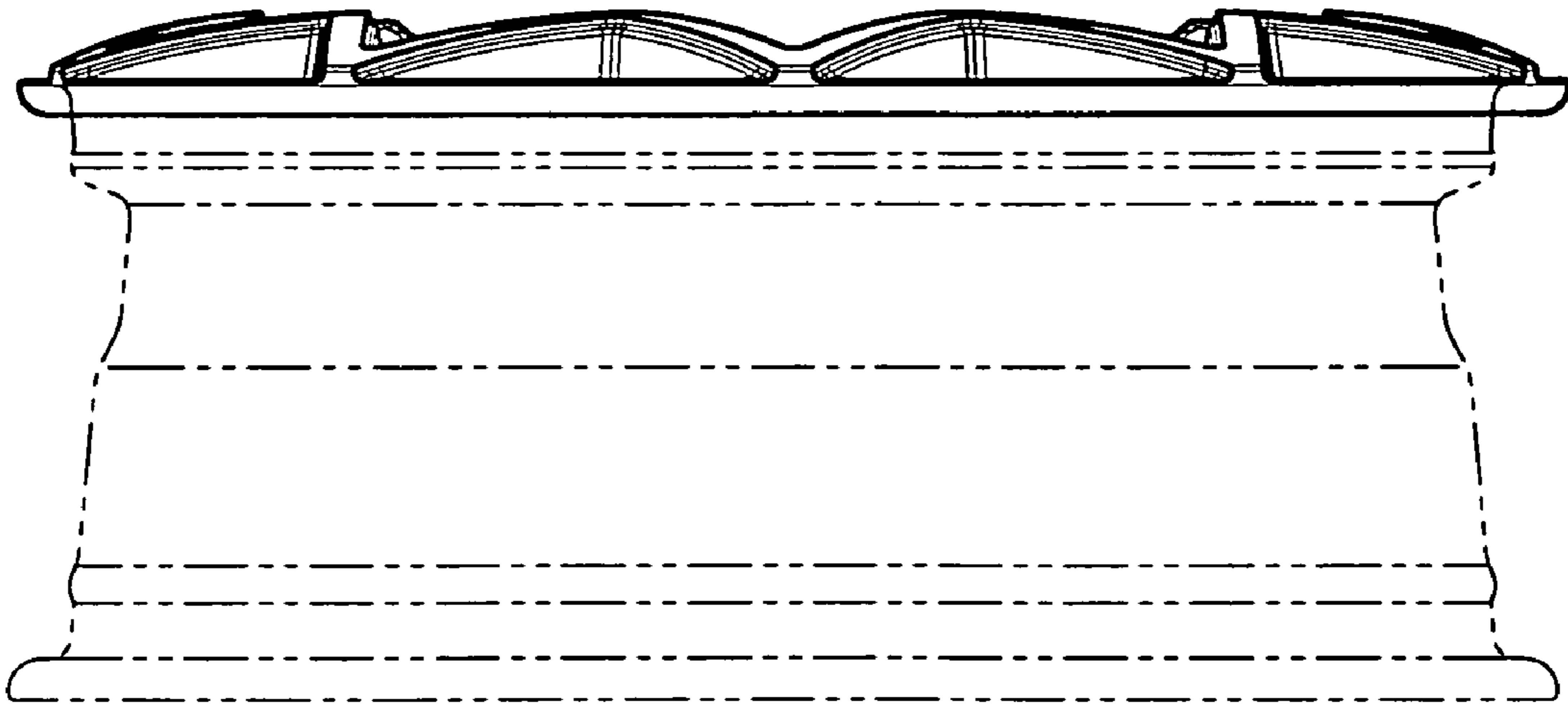


Fig.6

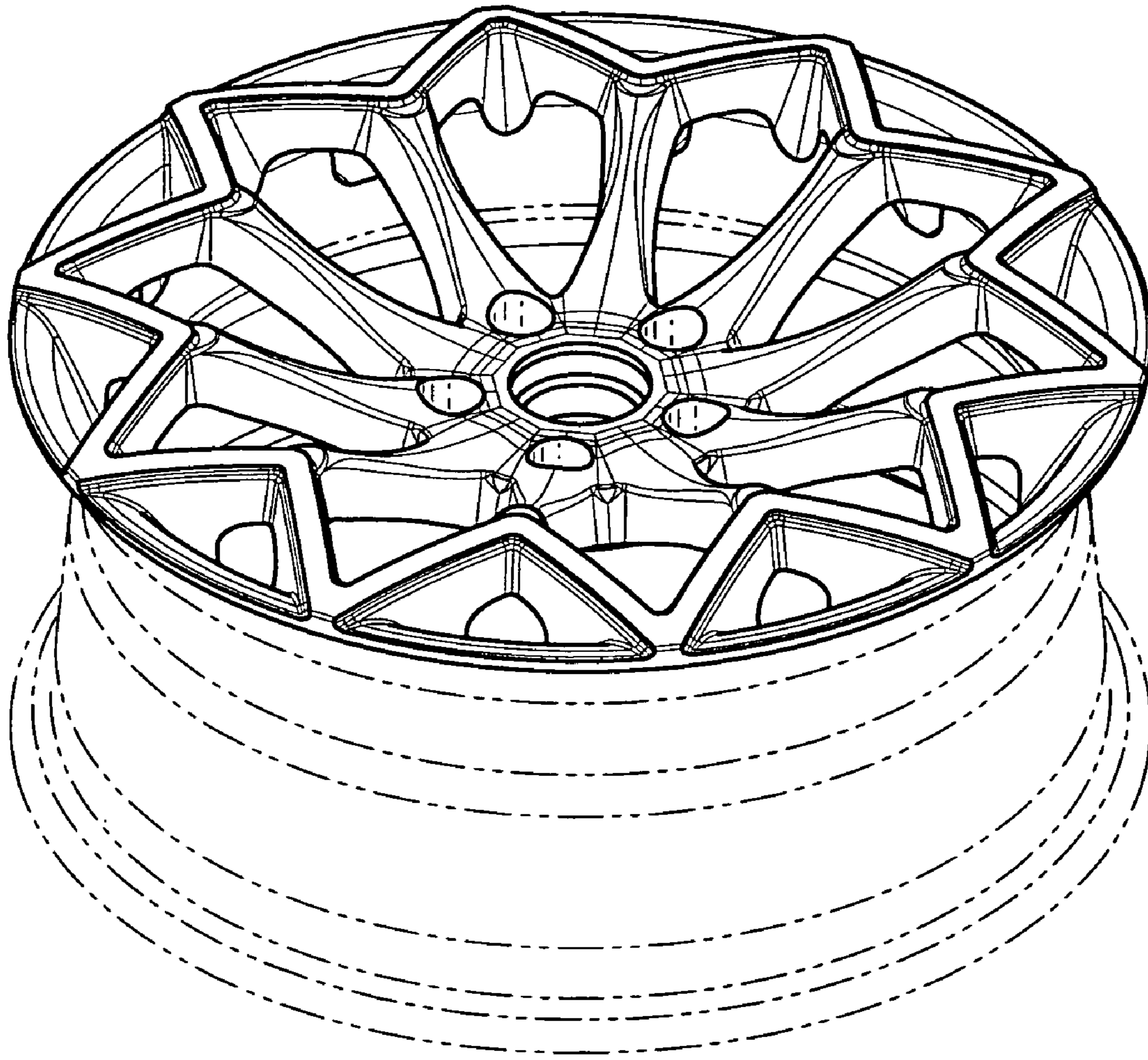


Fig.7

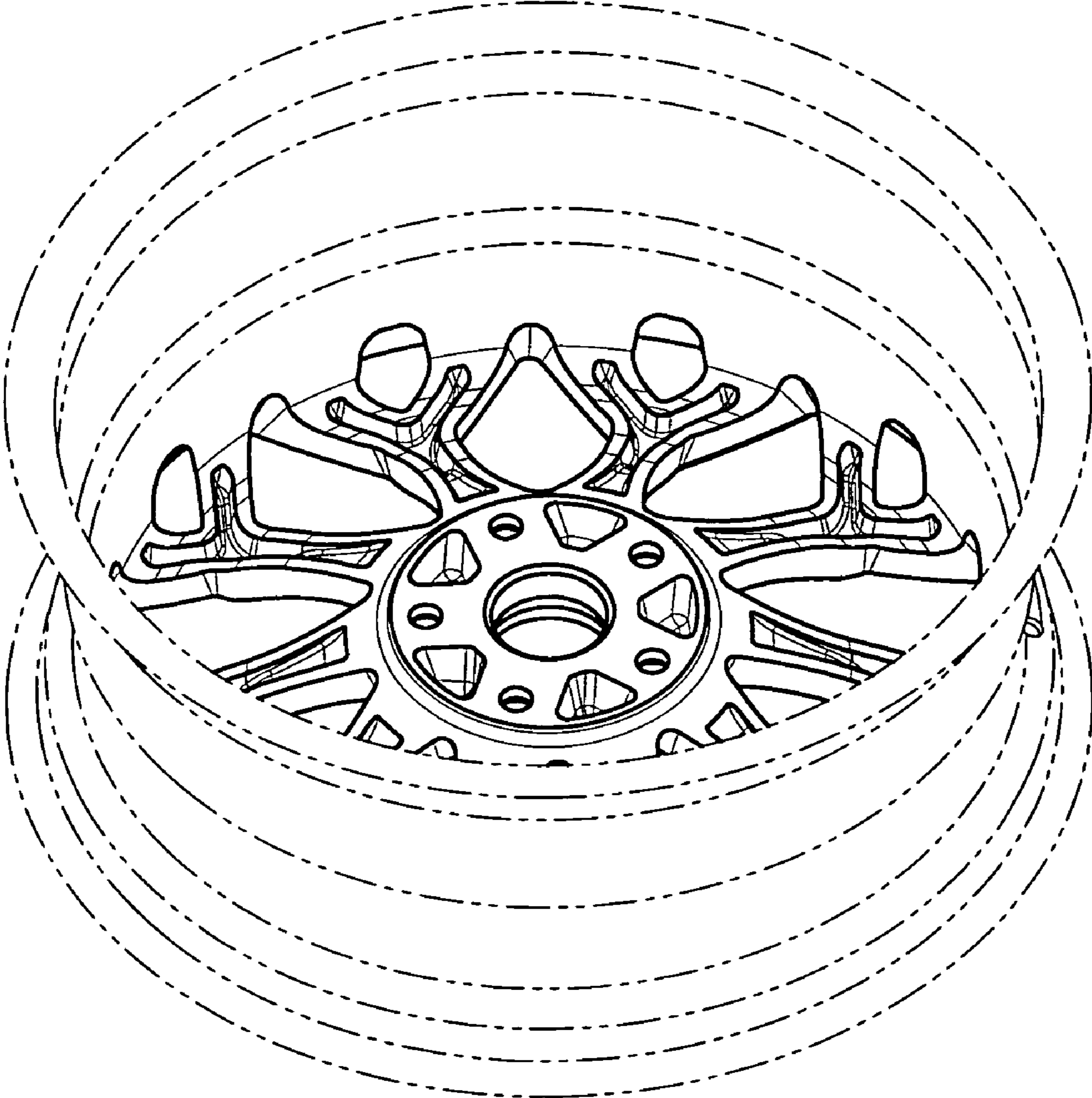


Fig.8