



US00D661226S

(12) **United States Design Patent**
Varga

(10) **Patent No.:** **US D661,226 S**
(45) **Date of Patent:** **** Jun. 5, 2012**

(54) **AUTOMOBILE**

(75) Inventor: **Peter Varga**, Pforzheim (DE)

(73) Assignee: **Dr. Ing. h.c. F. Porsche**
Aktiengesellschaft, Stuttgart (DE)

(**) Term: **14 Years**

(21) Appl. No.: **29/361,095**

(22) Filed: **May 5, 2010**

(30) **Foreign Application Priority Data**

Nov. 23, 2009 (DE) 40 2009 005 792

(51) **LOC (9) Cl.** **12-08**

(52) **U.S. Cl.** **D12/92**

(58) **Field of Classification Search** D12/86,
D12/90-92, 88; D21/424, 433, 434; 296/181.1,
296/181.5

See application file for complete search history.

(56) **References Cited**

U.S. PATENT DOCUMENTS

D593,906 S * 6/2009 Borkert D12/92
D605,981 S * 12/2009 Larson et al. D12/92
D606,456 S * 12/2009 Saracoglu D12/92
D606,902 S * 12/2009 Saracoglu D12/92

D606,903 S * 12/2009 Saracoglu D12/92
D607,779 S * 1/2010 Kulla D12/92
D607,780 S * 1/2010 Larson D12/92
D610,488 S * 2/2010 Kulla et al. D12/92
D623,557 S * 9/2010 Kulla et al. D12/92

* cited by examiner

Primary Examiner — Melody N Brown

(57) **CLAIM**

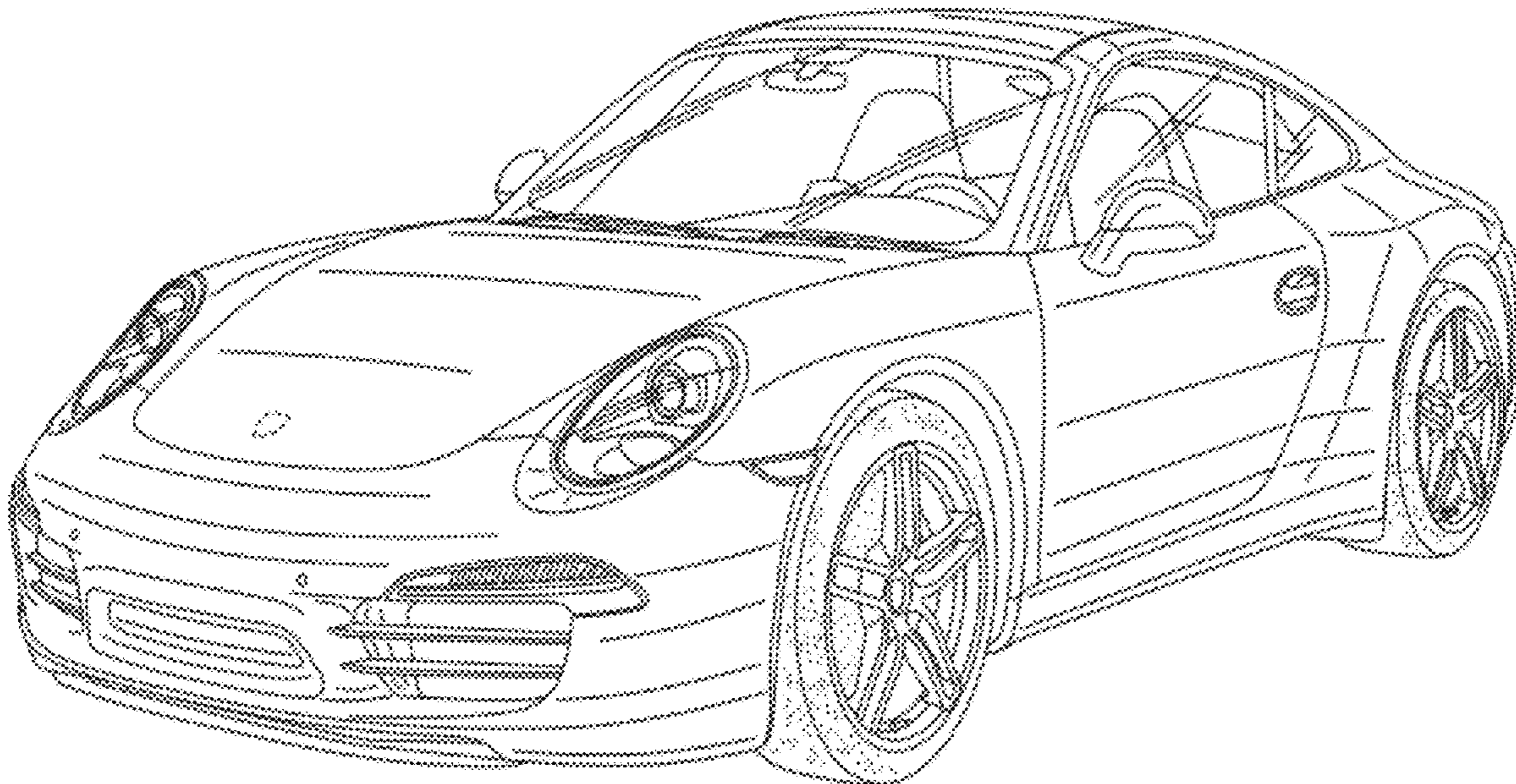
The ornamental design for an automobile, as shown and described.

DESCRIPTION

FIG. 1 is a front elevational view of an automobile, showing my new design;
FIG. 2 is a front and side perspective view thereof;
FIG. 3 is another front and side perspective view thereof;
FIG. 4 is a rear view thereof;
FIG. 5 is a rear, side, perspective view thereof;
FIG. 6 is a right-side view thereof;
FIG. 7 is a left-side view thereof; and,
FIG. 8 is a top plan view thereof.

The broken lines shown throughout the drawing specification are for illustrative purposes only and form no part of the claimed design.

1 Claim, 8 Drawing Sheets



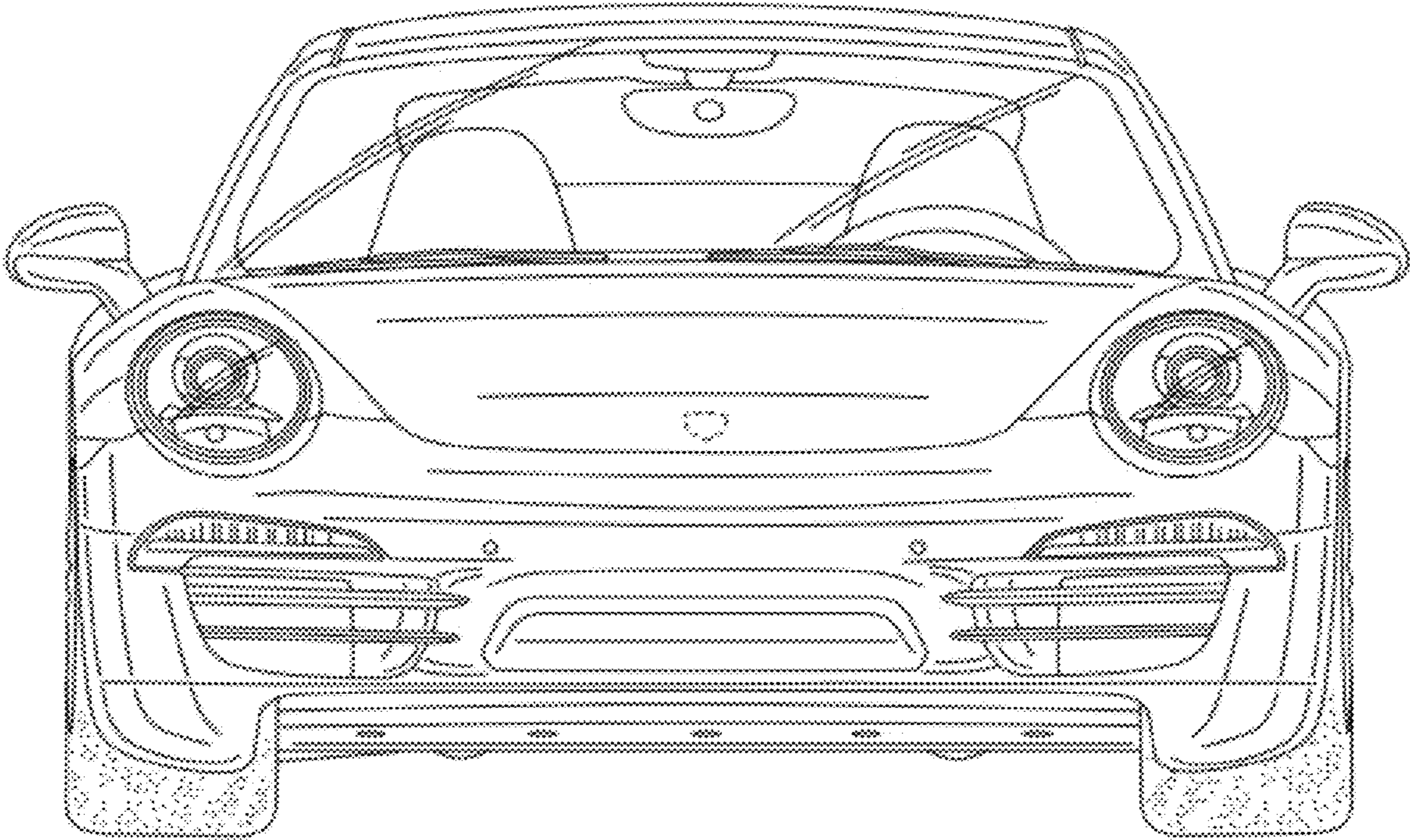


FIG. 1

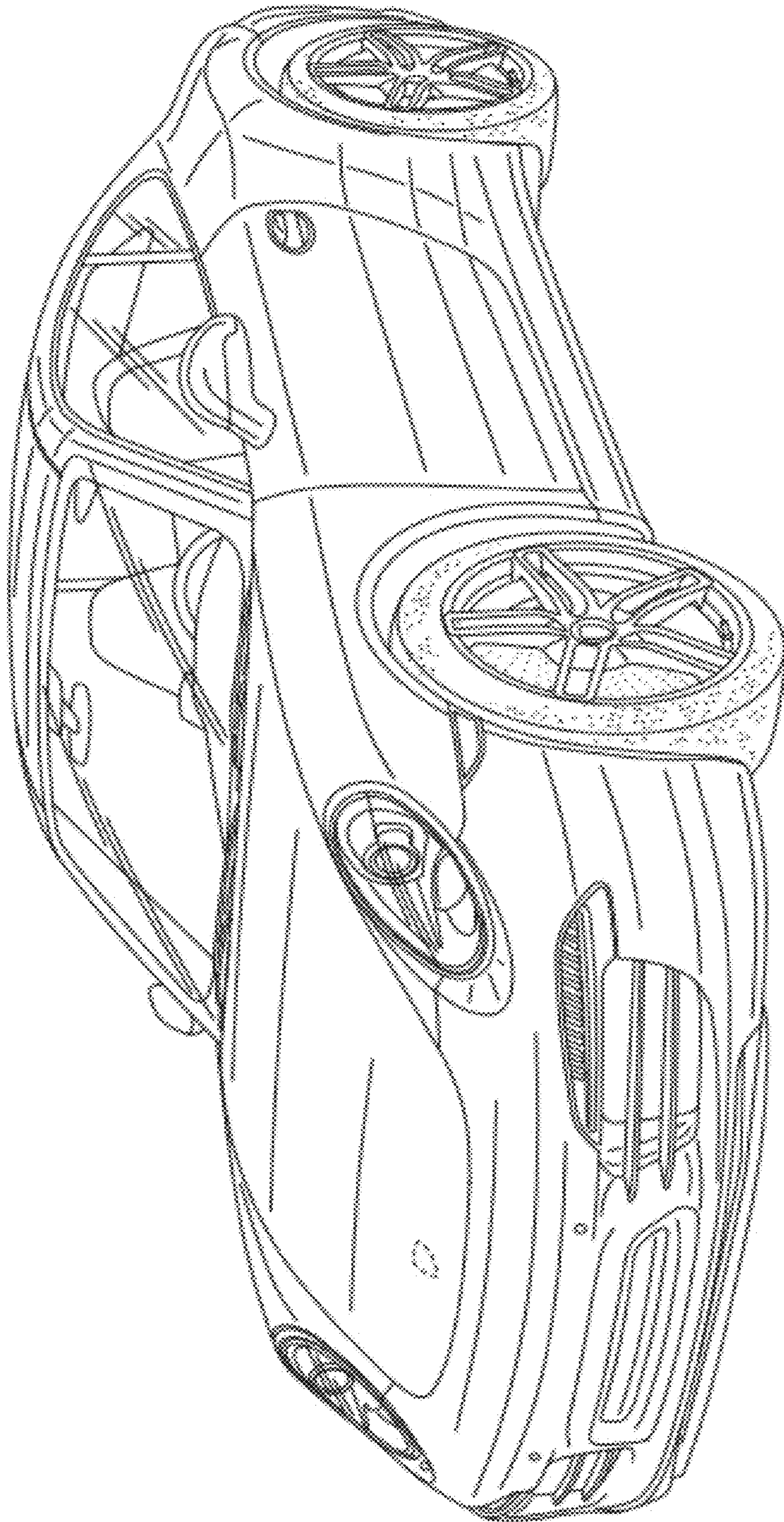


FIG. 2

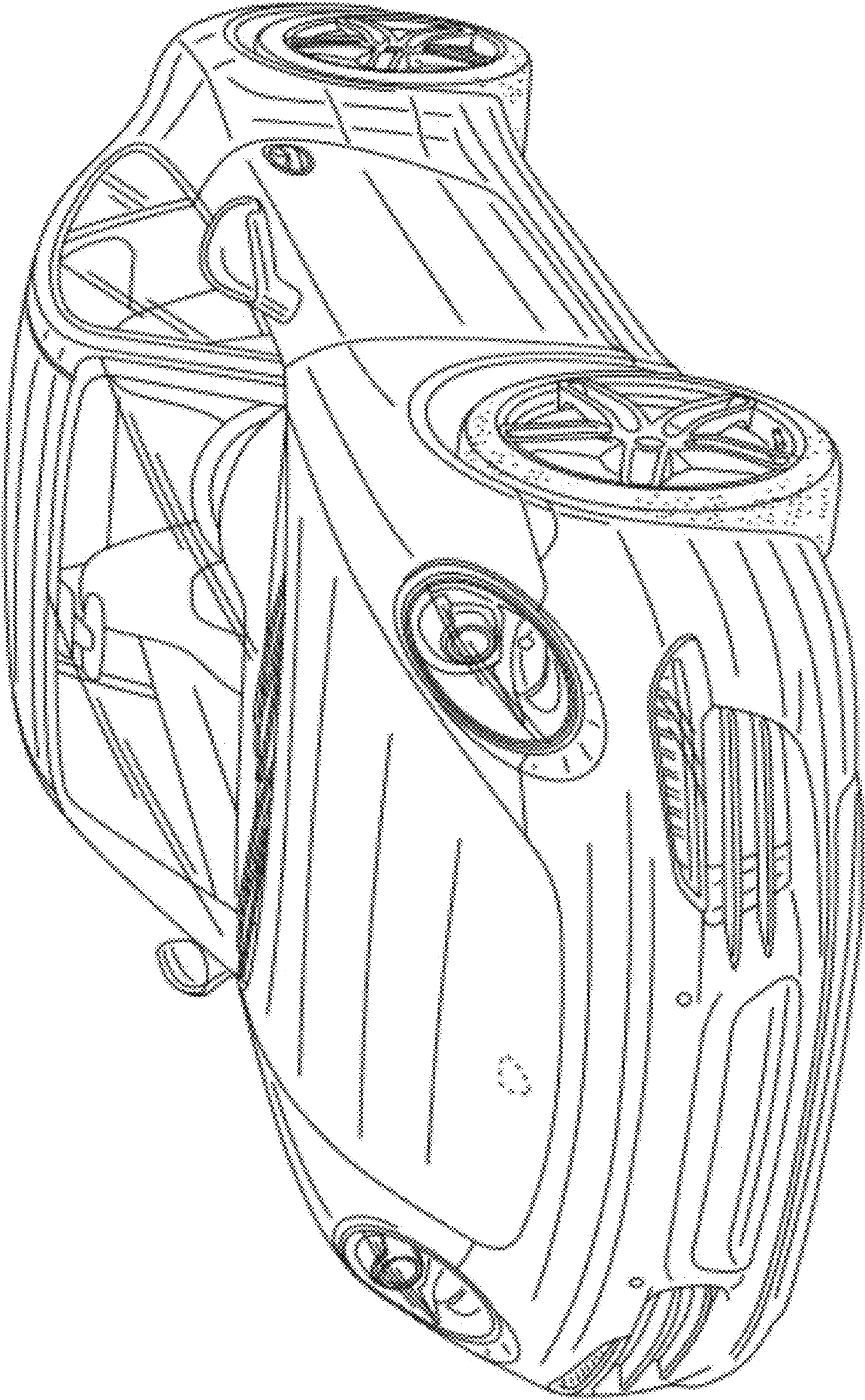


FIG. 3

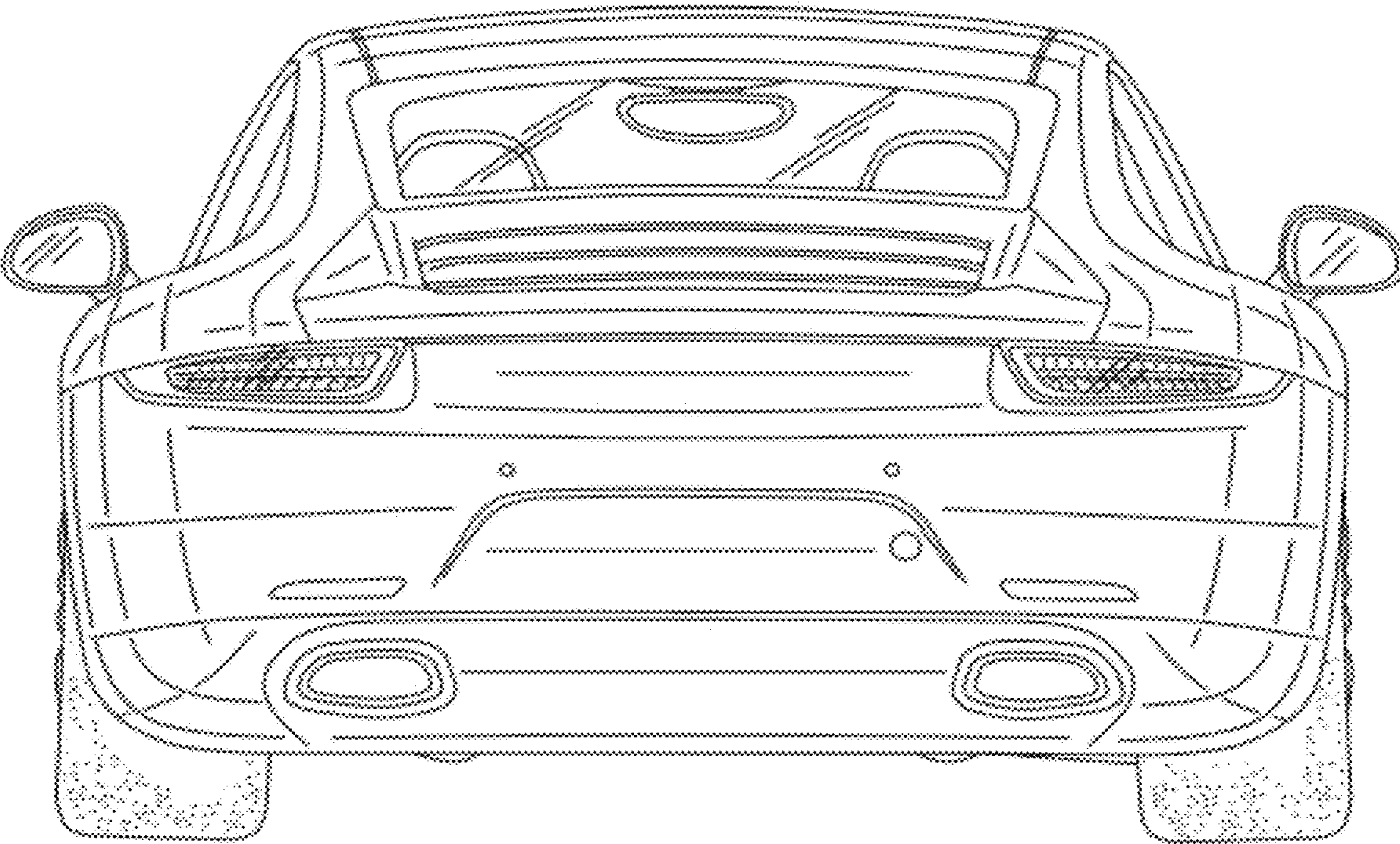


FIG. 4

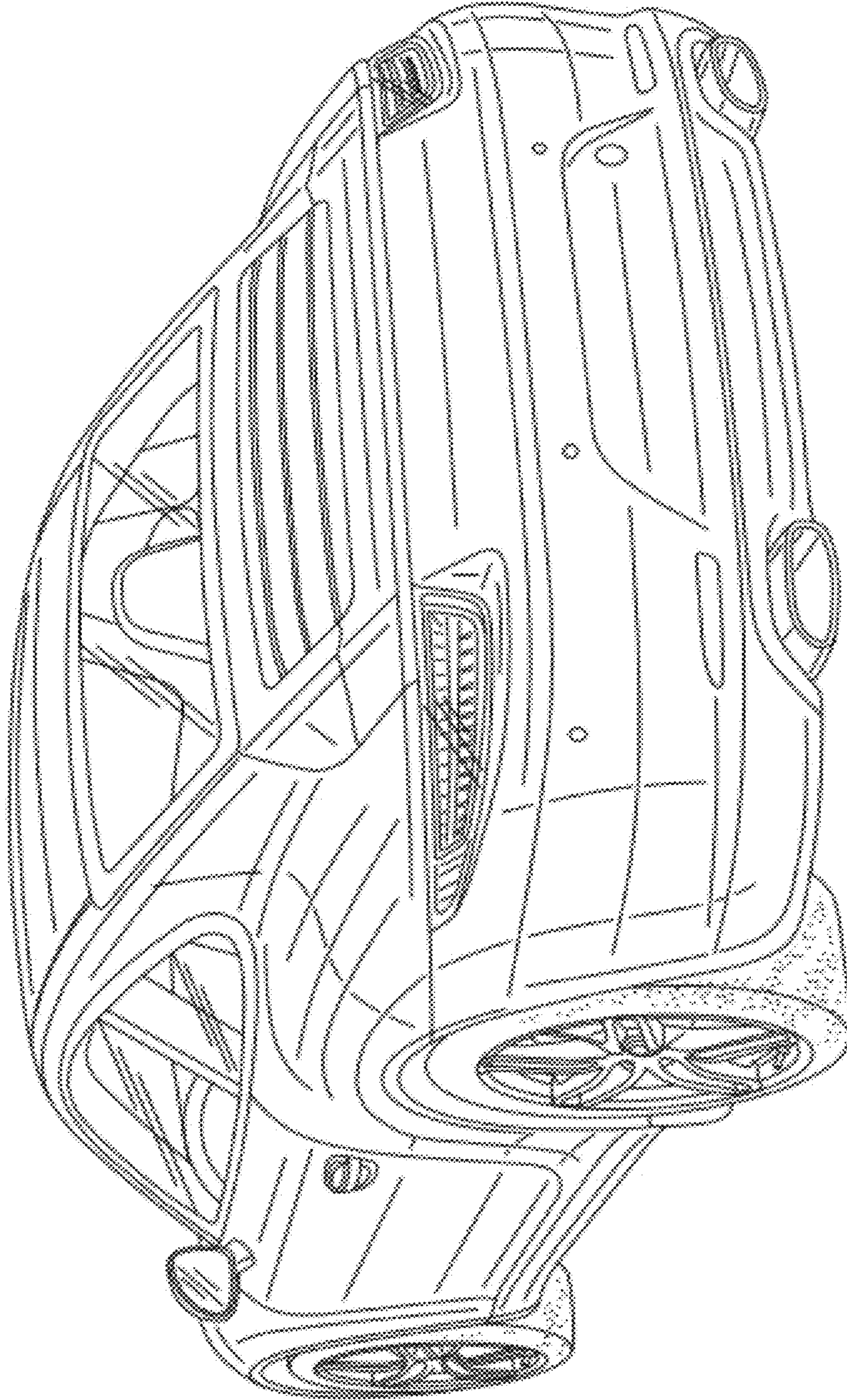


FIG. 5

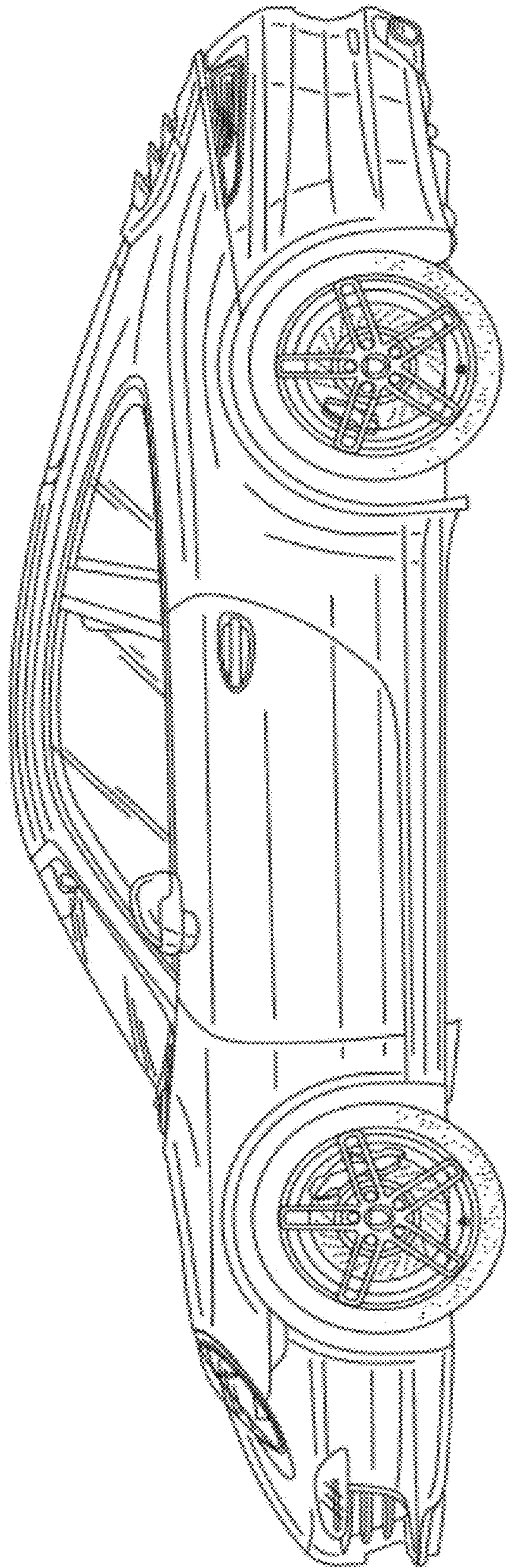


FIG. 6

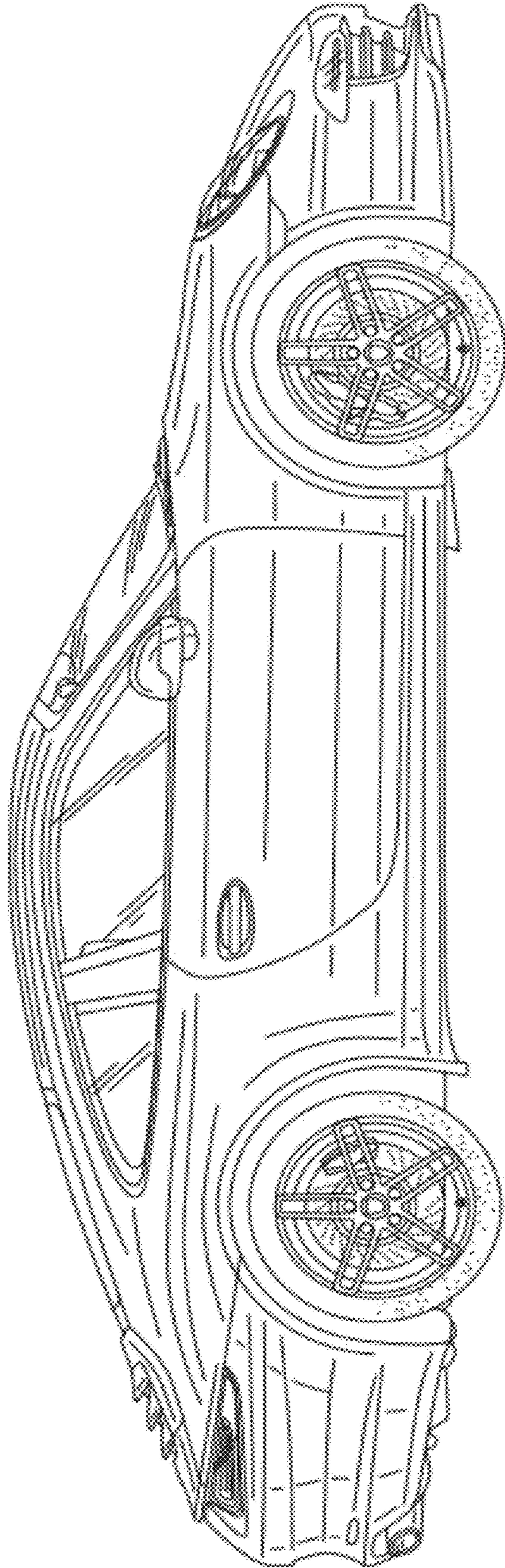


FIG. 7

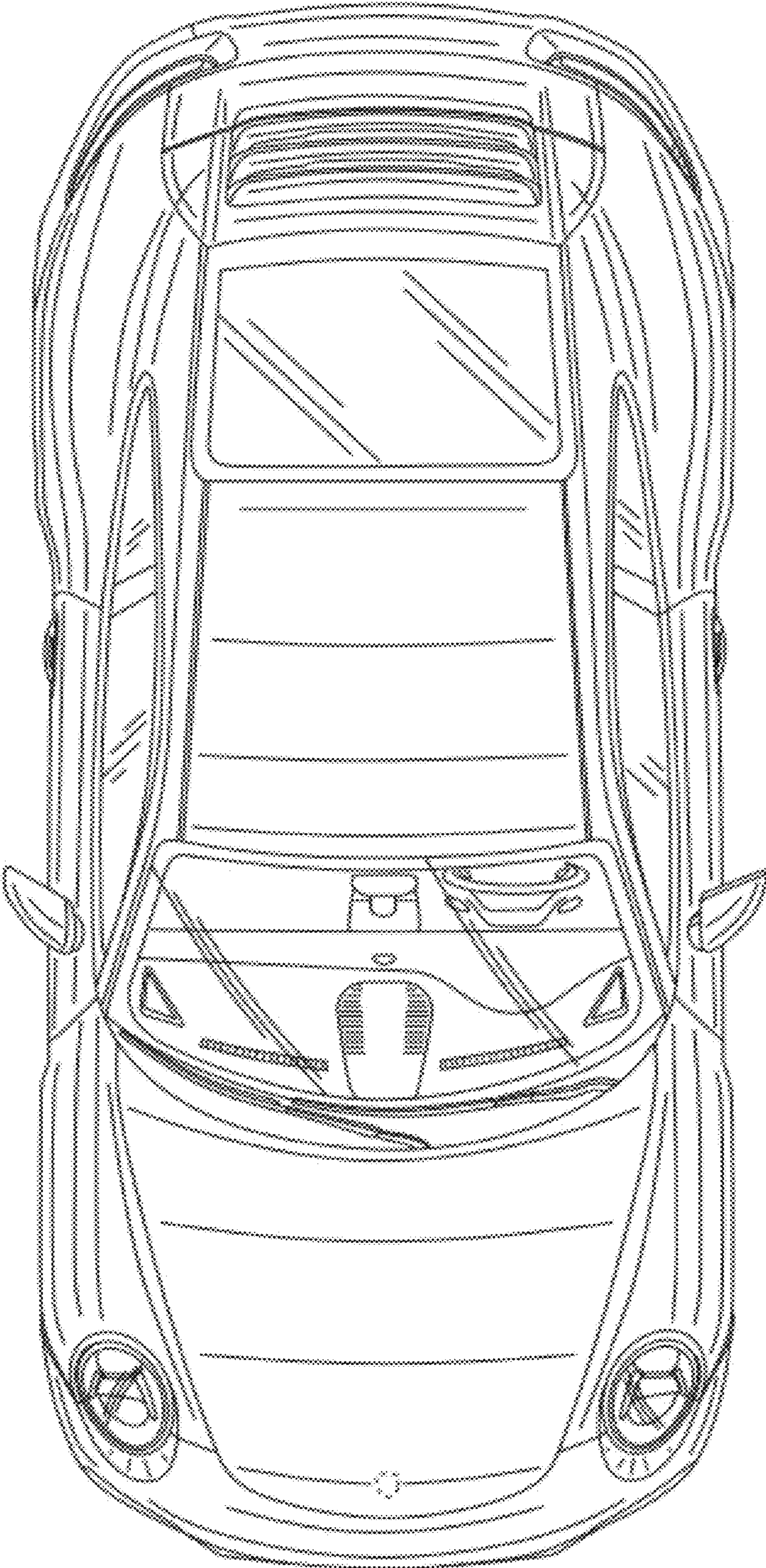


FIG. 8