



US00D661224S

(12) **United States Design Patent**  
**Allaire et al.**

(10) **Patent No.:** **US D661,224 S**  
(45) **Date of Patent:** **\*\* Jun. 5, 2012**

(54) **ALL-TERRAIN VEHICLE**

(76) Inventors: **Marius Allaire**, St-David-de-Falardeau  
(CA); **Etienne Loiselle**, Chicoutimi  
(CA); **Laurier Tremblay**, Jonquiere  
(CA)

(\*\*) Term: **14 Years**

(21) Appl. No.: **29/387,502**

(22) Filed: **Mar. 14, 2011**

(51) **LOC (9) Cl.** ..... **12-13**

(52) **U.S. Cl.** ..... **D12/12**

(58) **Field of Classification Search** ..... D12/1,  
D12/12, 14, 15; D21/539, 556, 557, 559,  
D21/562; 180/89.1, 89.12, 232, 242, 449;  
D15/23, 24, 25, 28, 33, 199

See application file for complete search history.

(56) **References Cited**

**U.S. PATENT DOCUMENTS**

D269,418 S \* 6/1983 Appelblatt et al. .... D12/12  
D289,389 S \* 4/1987 Picard ..... D12/12  
D366,645 S \* 1/1996 Dirck ..... D12/405

D465,435 S \* 11/2002 Legueu ..... D12/12  
D478,840 S 8/2003 Gregory et al.  
D544,402 S 6/2007 Westman et al.  
D590,743 S 4/2009 Waters et al.  
D632,613 S 2/2011 Allaire et al.  
2003/0089220 A1 5/2003 Boudreau et al.  
2005/0284682 A1\* 12/2005 Hass et al. .... 180/242

**OTHER PUBLICATIONS**

Canadian Industrial Designs, Registration No. 129699. L'Equipe  
Fabconcept Inc. Date of Registration: Sep. 13, 2010.

\* cited by examiner

*Primary Examiner* — T. Chase Nelson

*Assistant Examiner* — Ania Aman

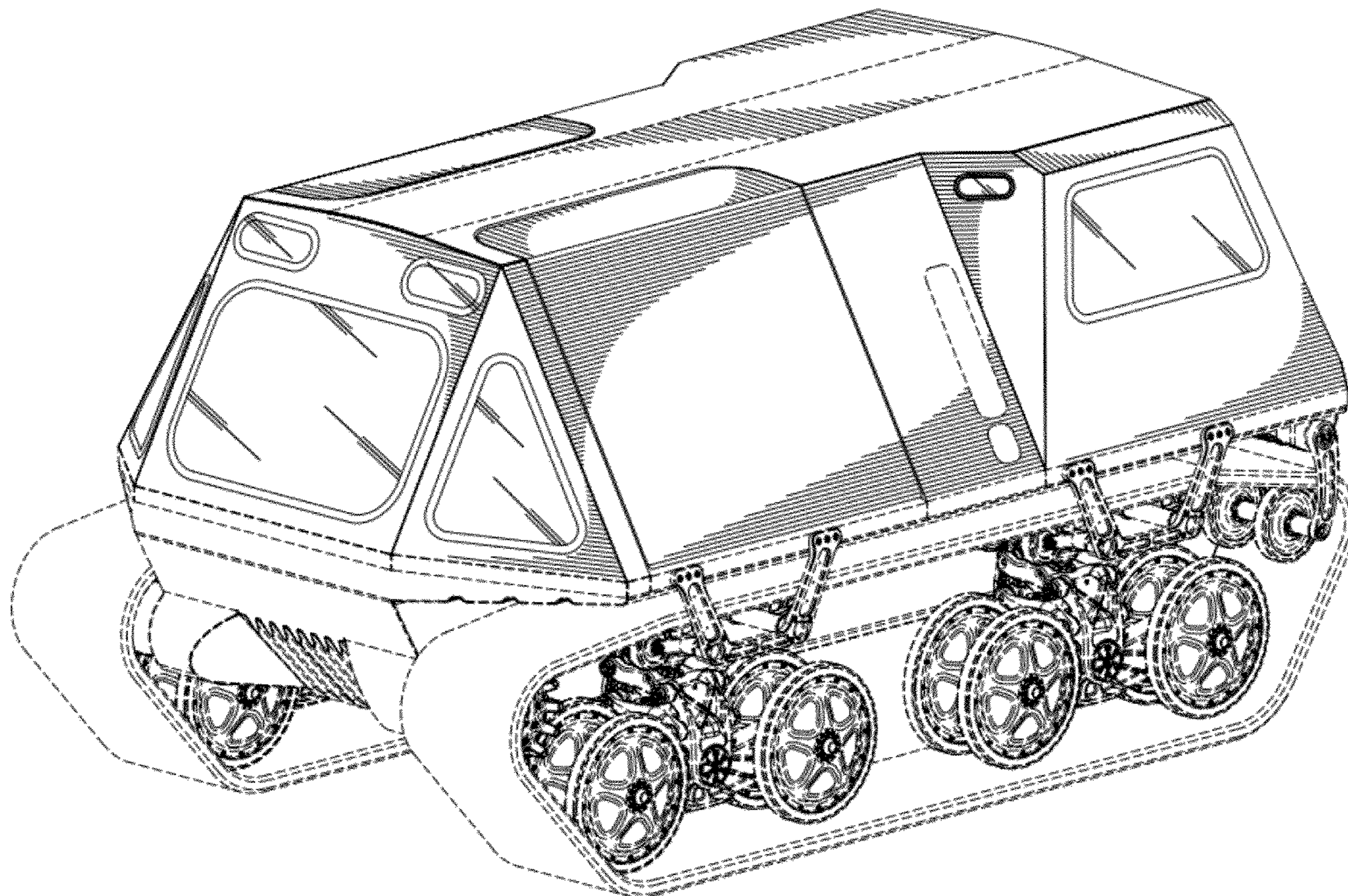
(57) **CLAIM**

The ornamental design for a all-terrain vehicle, as shown.

**DESCRIPTION**

FIG. 1 is a front-left isometric view of an all-terrain vehicle;  
FIG. 2 is a left elevational view of the all-terrain vehicle;  
FIG. 3 is a top plan view of the all-terrain vehicle;  
FIG. 4 is a front elevational view of the all-terrain vehicle;  
and,  
FIG. 5 is a rear elevational view of the all-terrain vehicle.

**1 Claim, 5 Drawing Sheets**



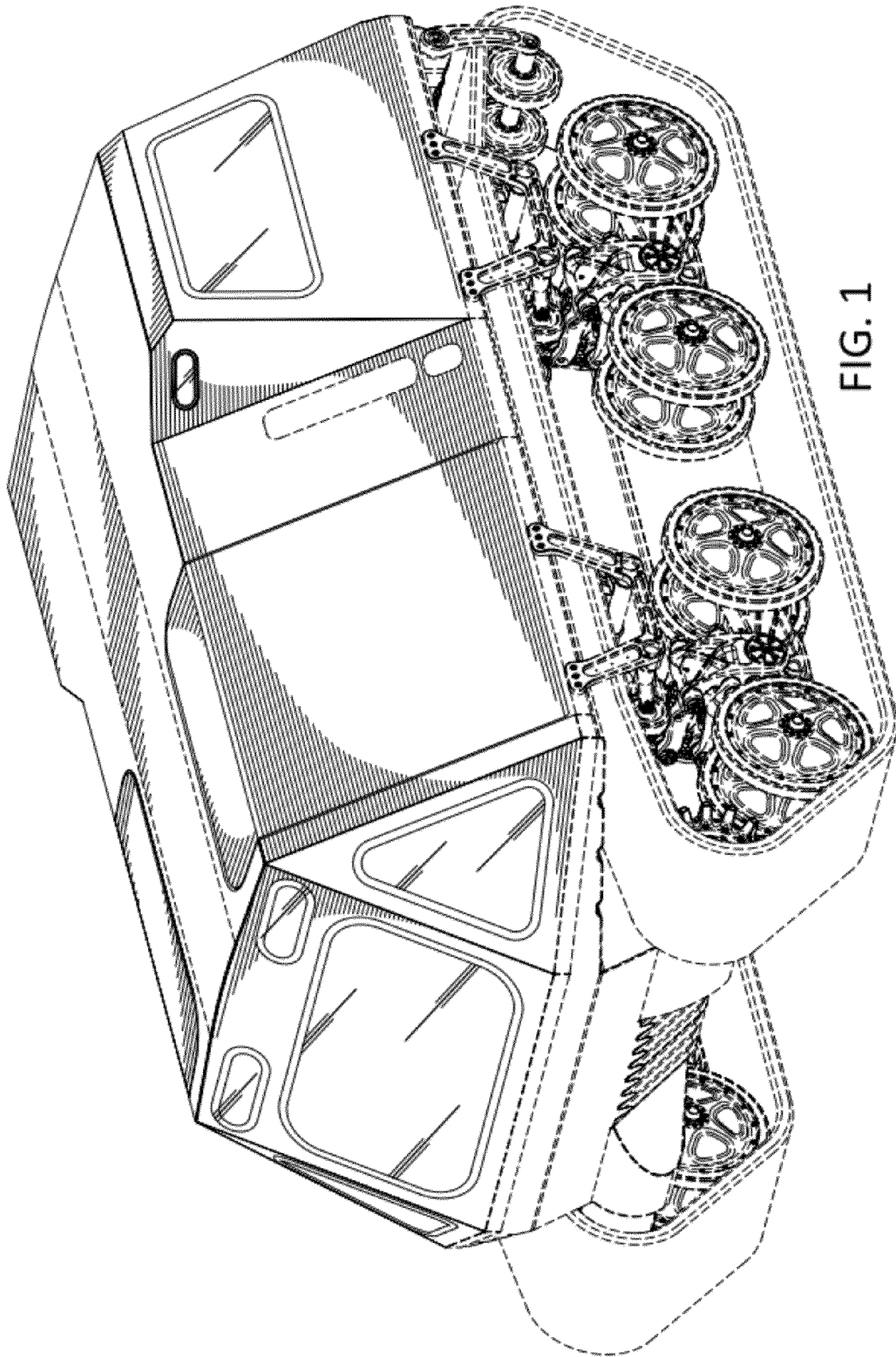


FIG. 1

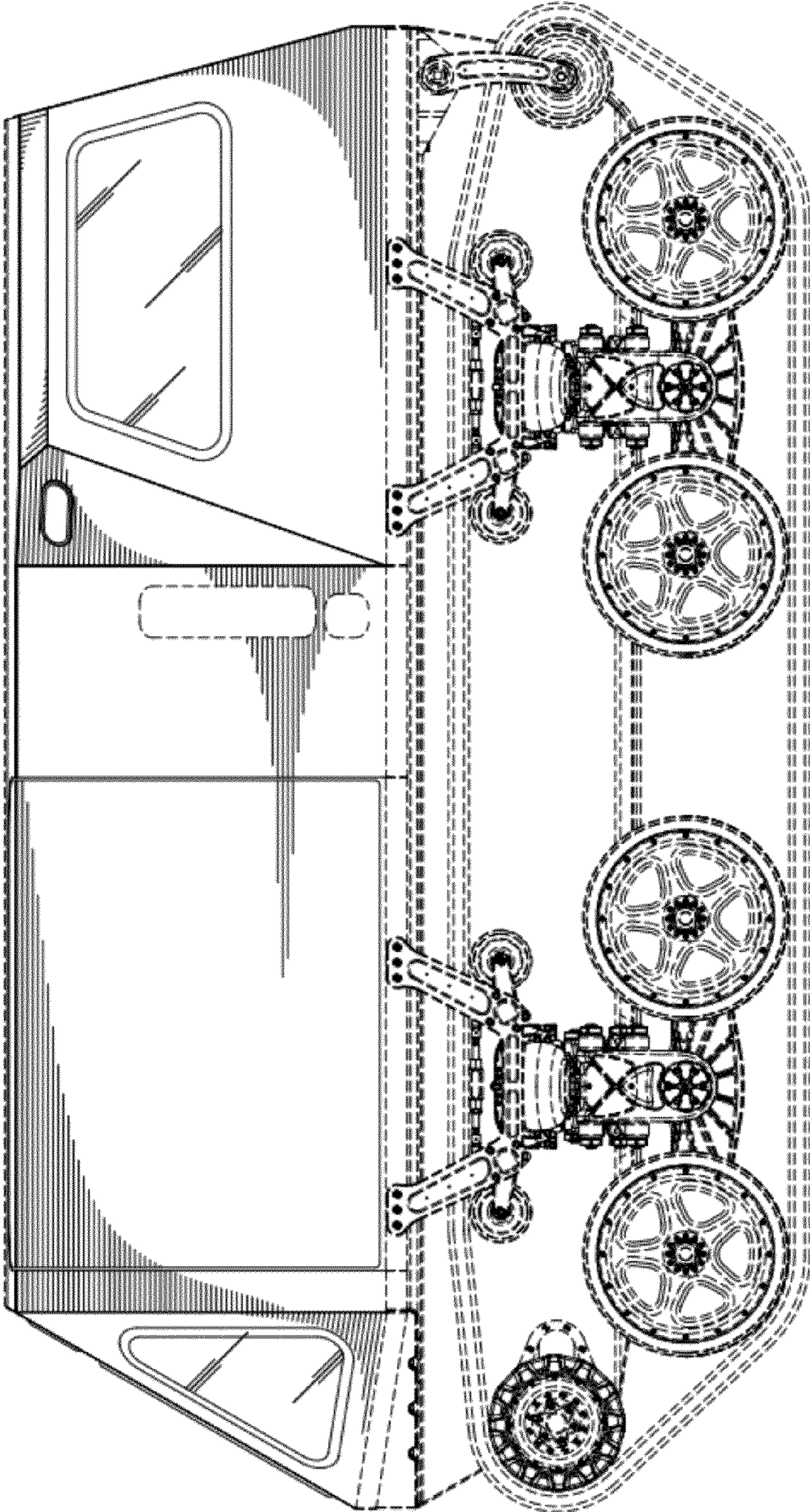


FIG. 2

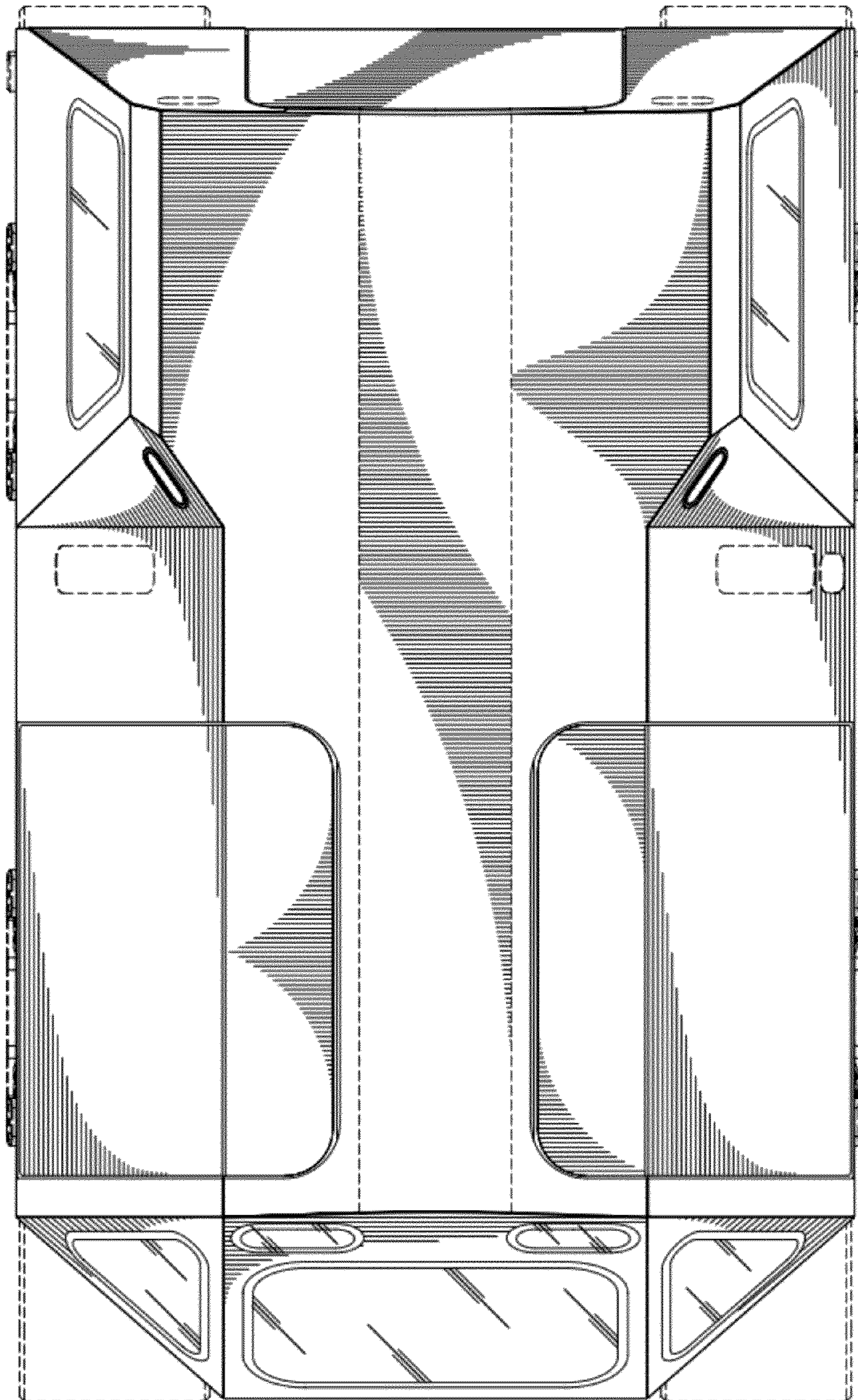


FIG. 3

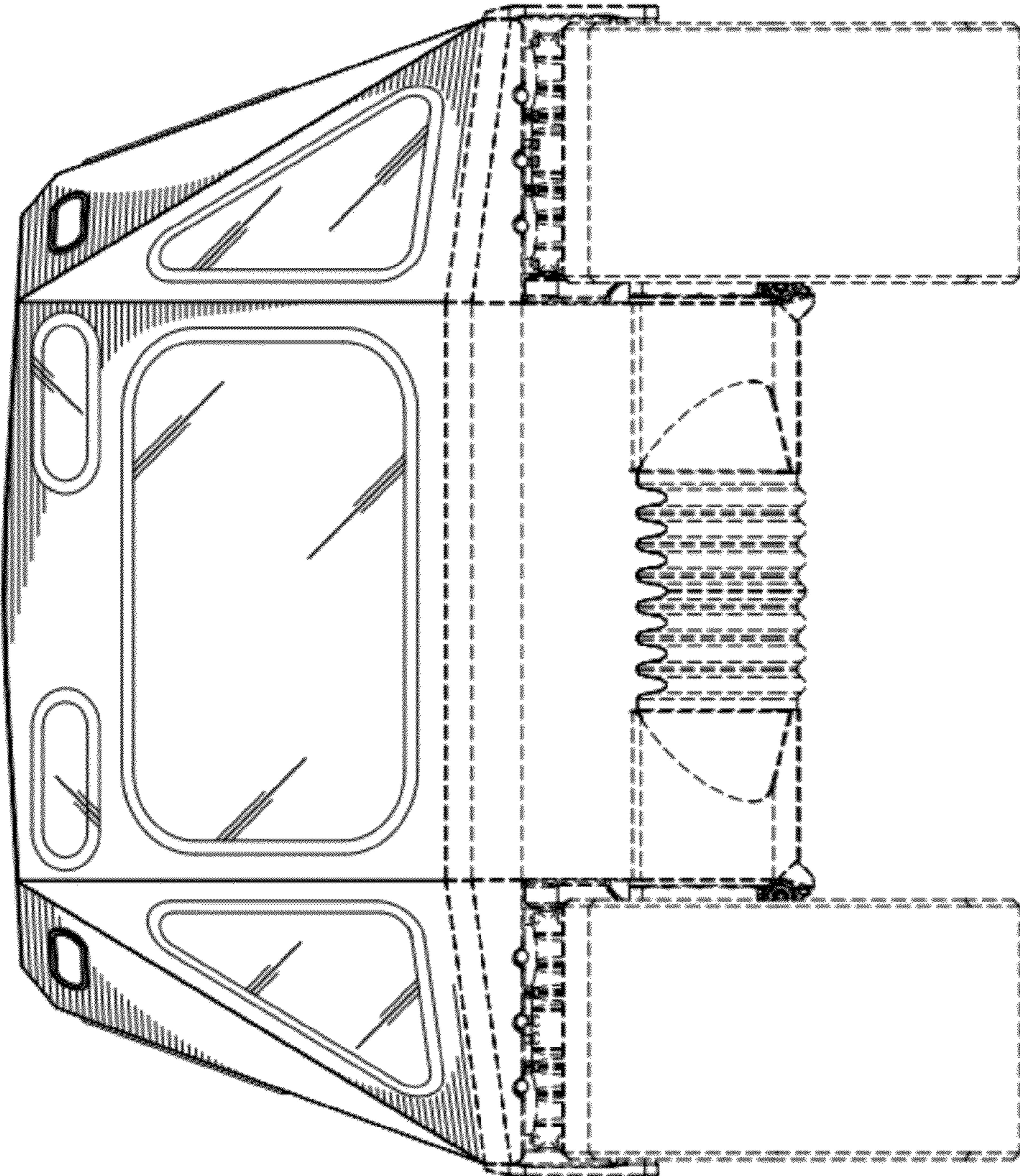


FIG. 4

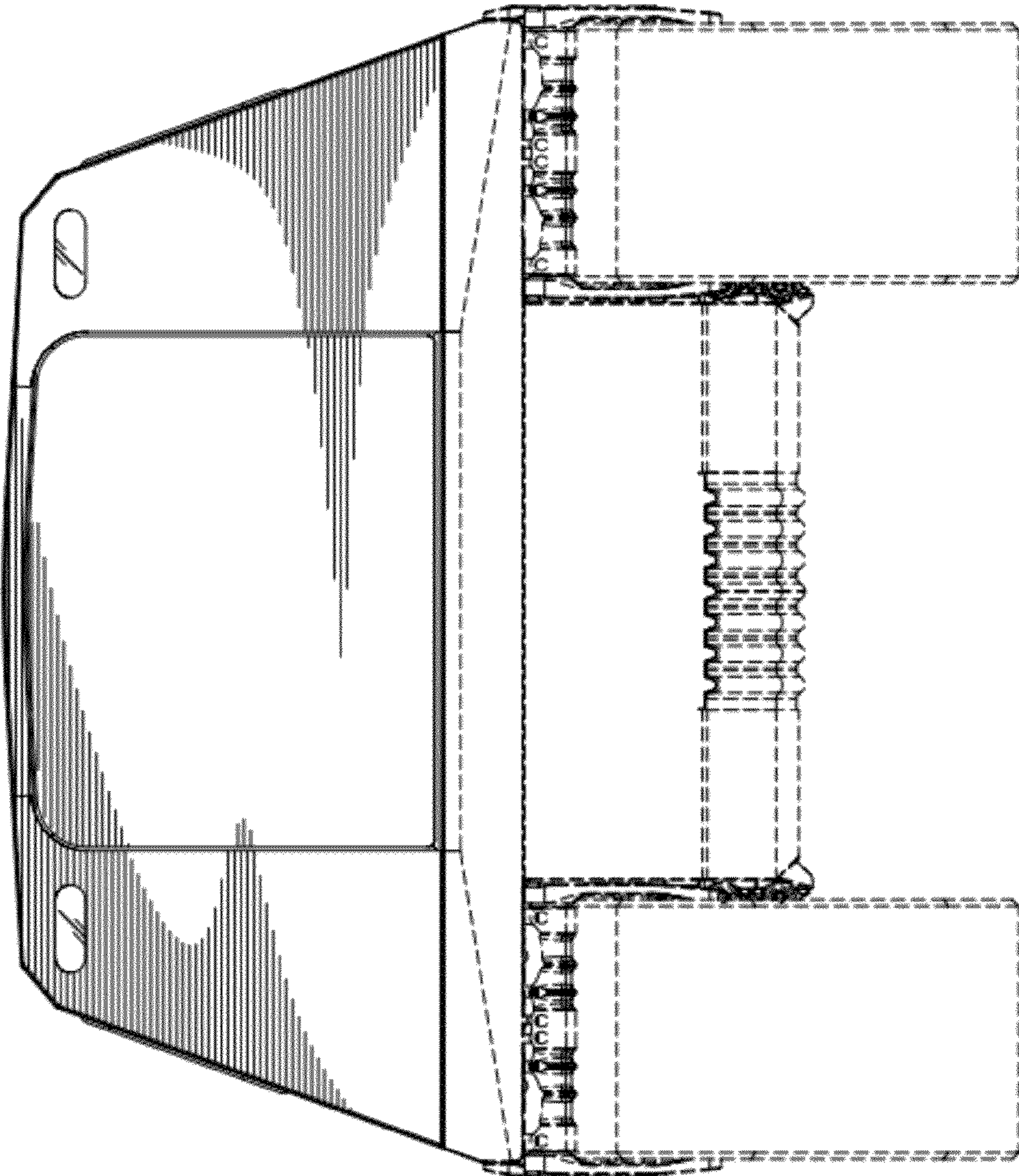


FIG. 5