

US00D661221S

(12) **United States Design Patent**
Neuner

(10) **Patent No.:** **US D661,221 S**
(45) **Date of Patent:** **** Jun. 5, 2012**

(54) **STONE**

(75) Inventor: **Clemens Neuner, Zirl (AT)**

(73) Assignee: **Swarovski Aktiengesellschaft, Triesen (LI)**

(**) Term: **14 Years**

(21) Appl. No.: **29/391,079**

(22) Filed: **May 3, 2011**

(30) **Foreign Application Priority Data**

Jan. 24, 2011 (EM) 1256366-0002

(51) **LOC (9) Cl.** **11-01**

(52) **U.S. Cl.** **D11/89**

(58) **Field of Classification Search** D11/1-2,
D11/26-29, 89-92; 63/26-28, 32
See application file for complete search history.

(56) **References Cited**

U.S. PATENT DOCUMENTS

D543,891 S * 6/2007 Granig D11/90
D560,546 S * 1/2008 Granig D11/90

D594,366 S * 6/2009 Castelein D11/89
D594,368 S * 6/2009 Mosmann D11/89
D604,662 S * 11/2009 Bartl D11/89
D609,599 S * 2/2010 Bartl D11/90

* cited by examiner

Primary Examiner — Ralf Seifert

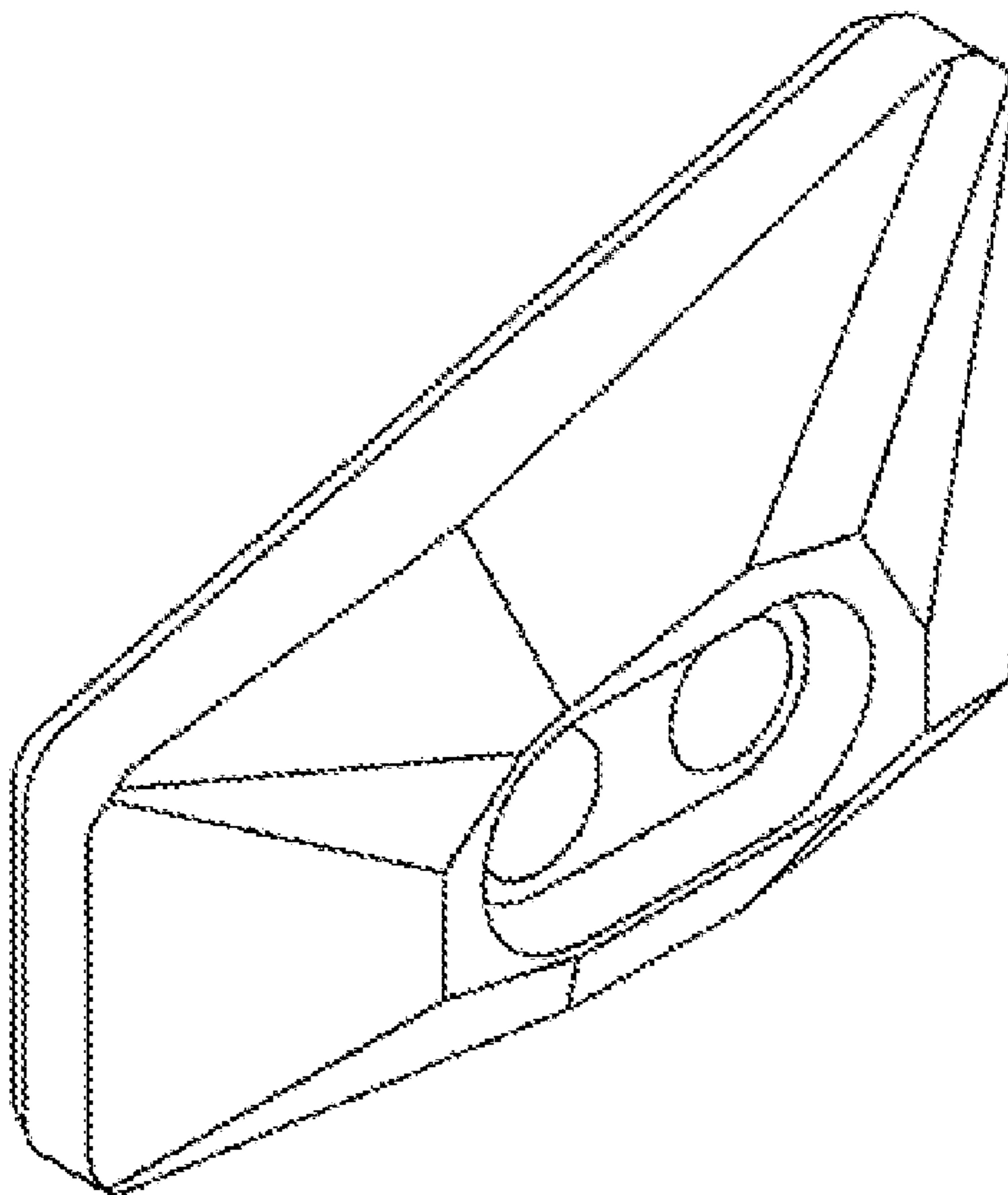
(74) *Attorney, Agent, or Firm* — Wenderoth, Lind & Ponack, L.L.P.

(57) **CLAIM**
The ornamental design for an ornamental stone, as shown and described.

DESCRIPTION

FIG. 1 is a bottom view of the invention;
FIG. 2 is a cross-sectional view taken along the lines 2-2 of FIG. 3;
FIG. 3 is a front view of the invention;
FIG. 4 is a right view of the invention;
FIG. 5 is a rear view of the invention;
FIG. 6 is a top view of the invention;
FIG. 7 is a left view of the invention; and,
FIG. 8 is a perspective view of the invention.

1 Claim, 2 Drawing Sheets



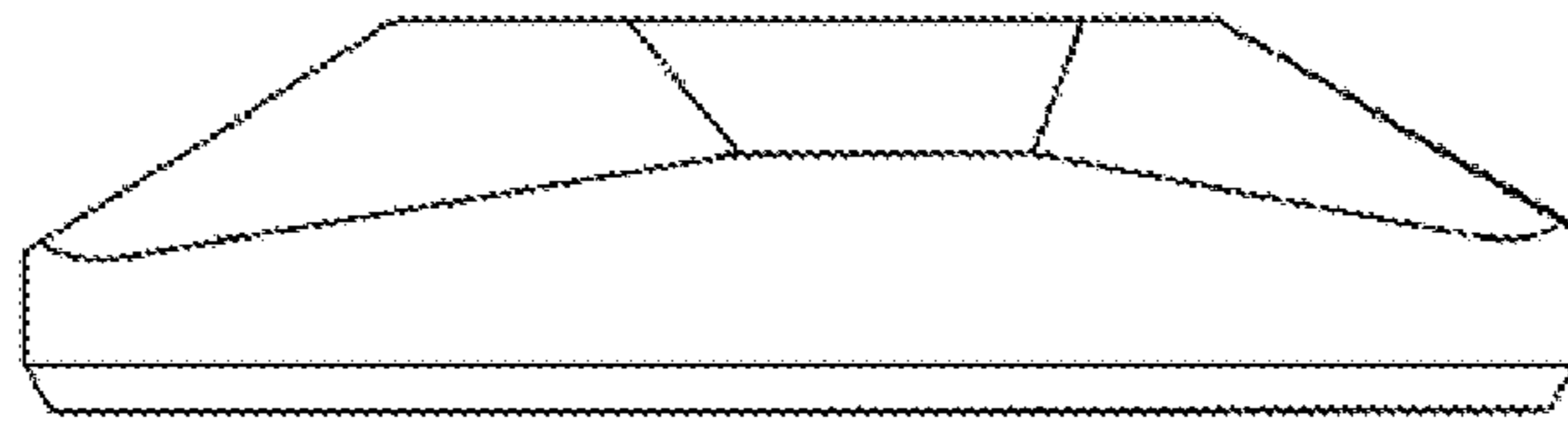


Fig. 1

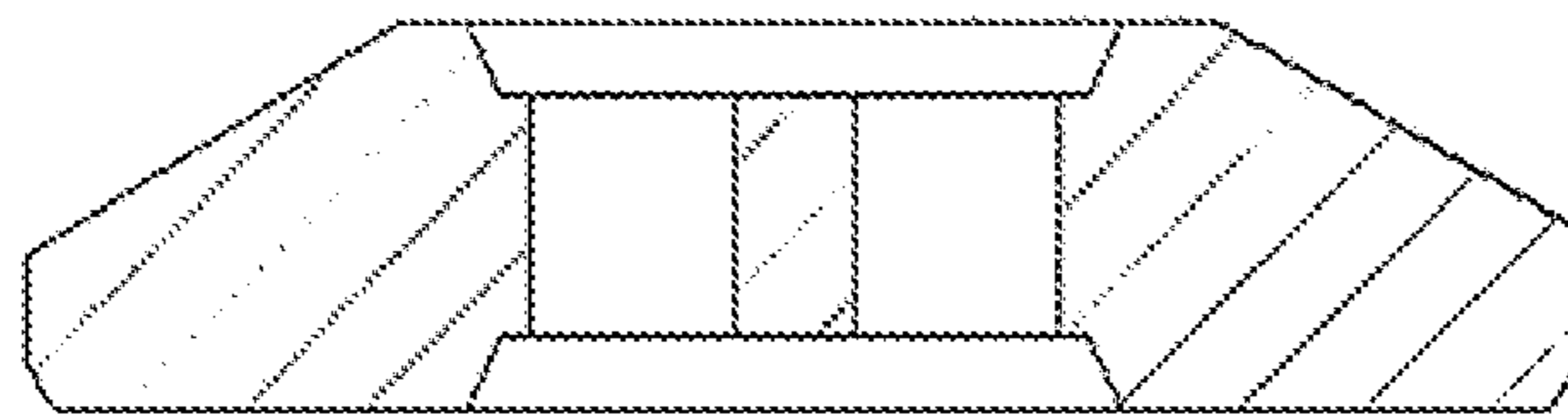


Fig. 2

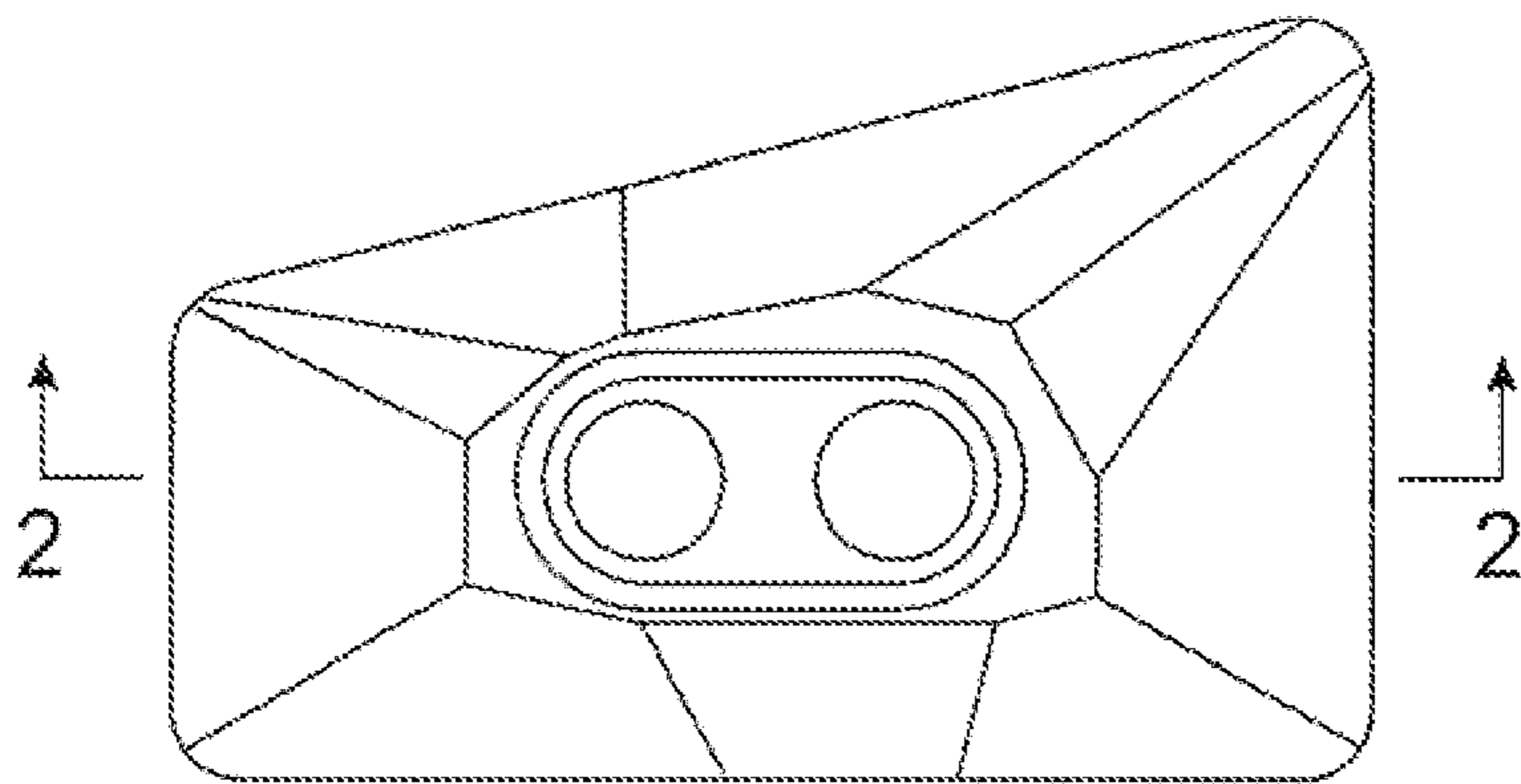


Fig. 3

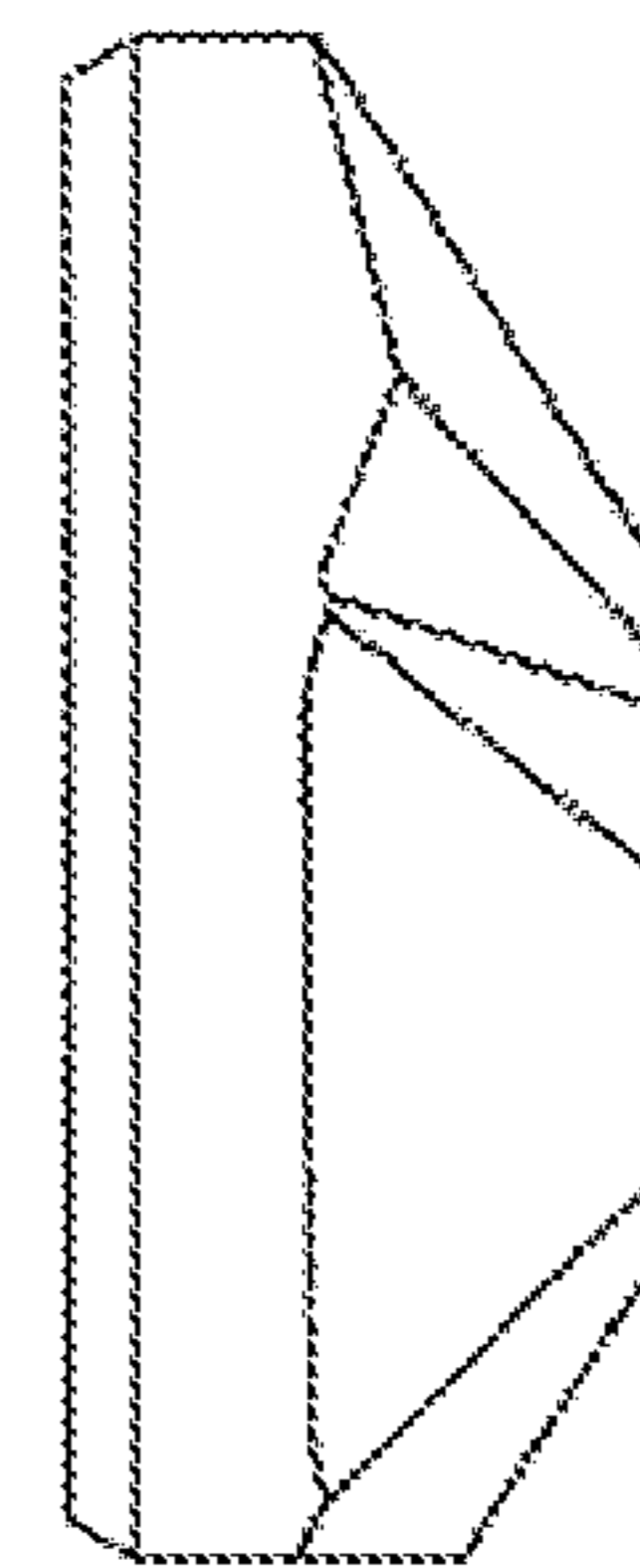


Fig. 4

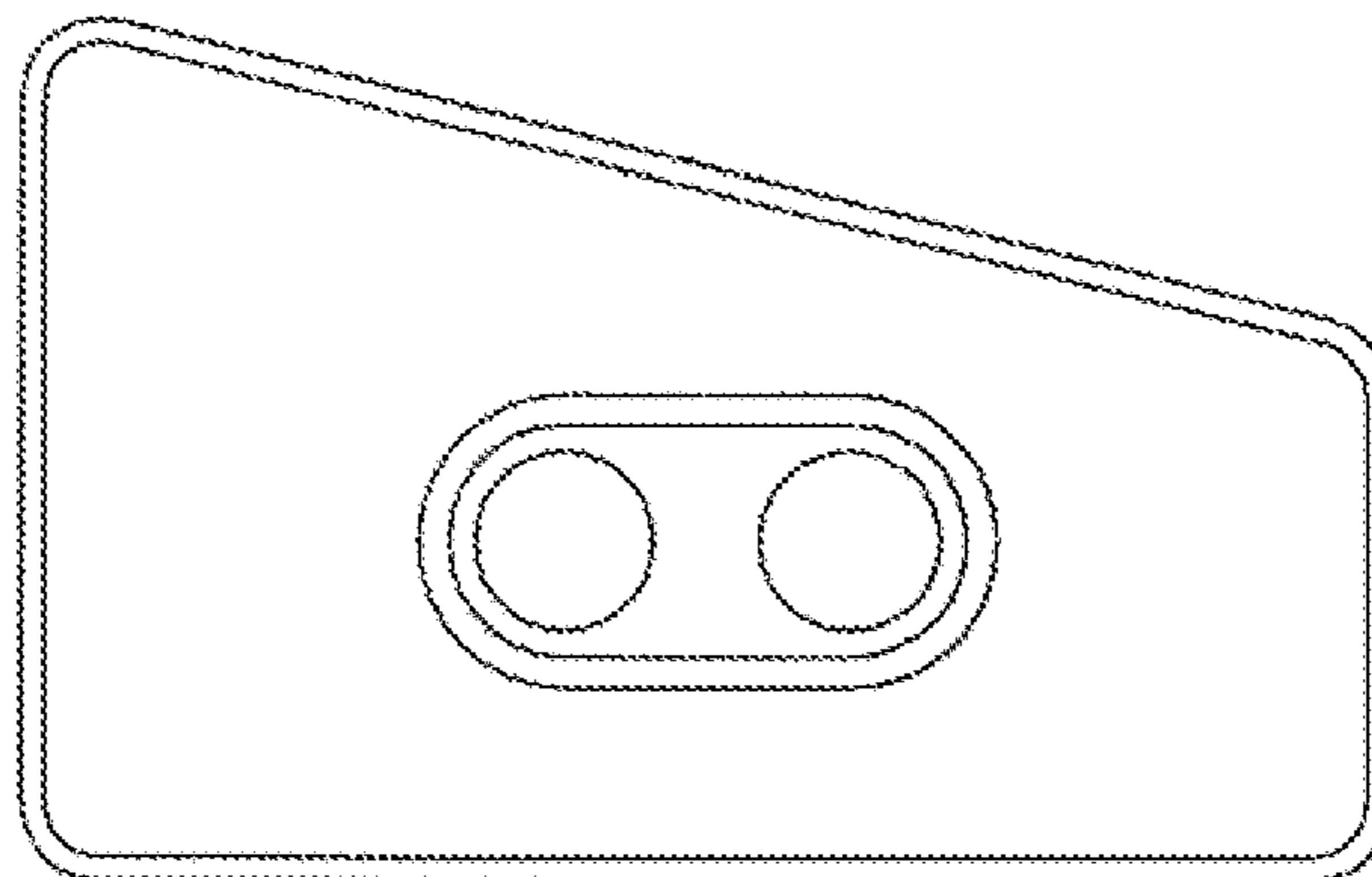


Fig. 5

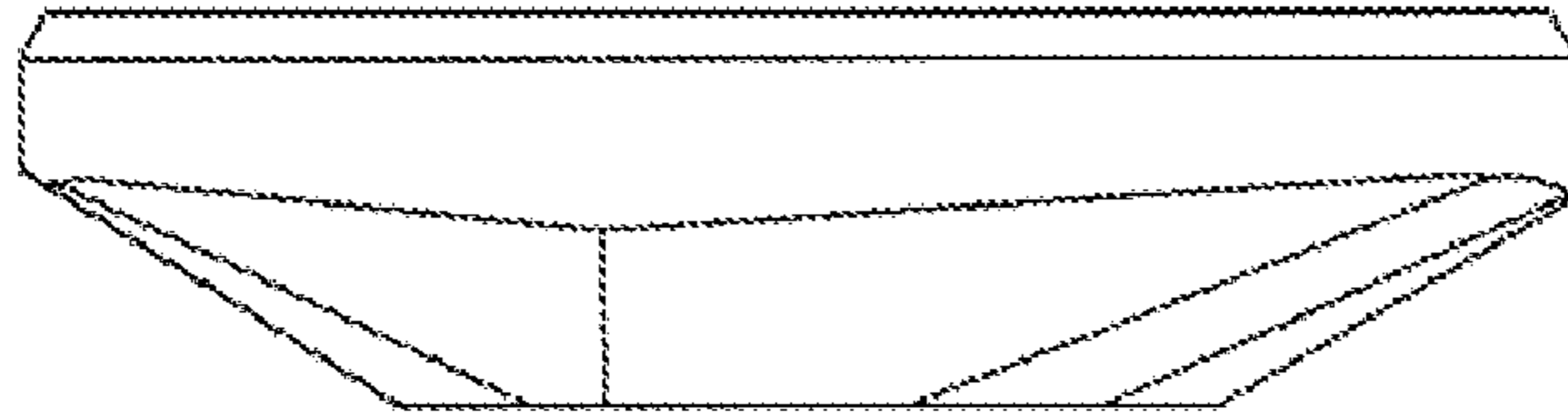


Fig. 6

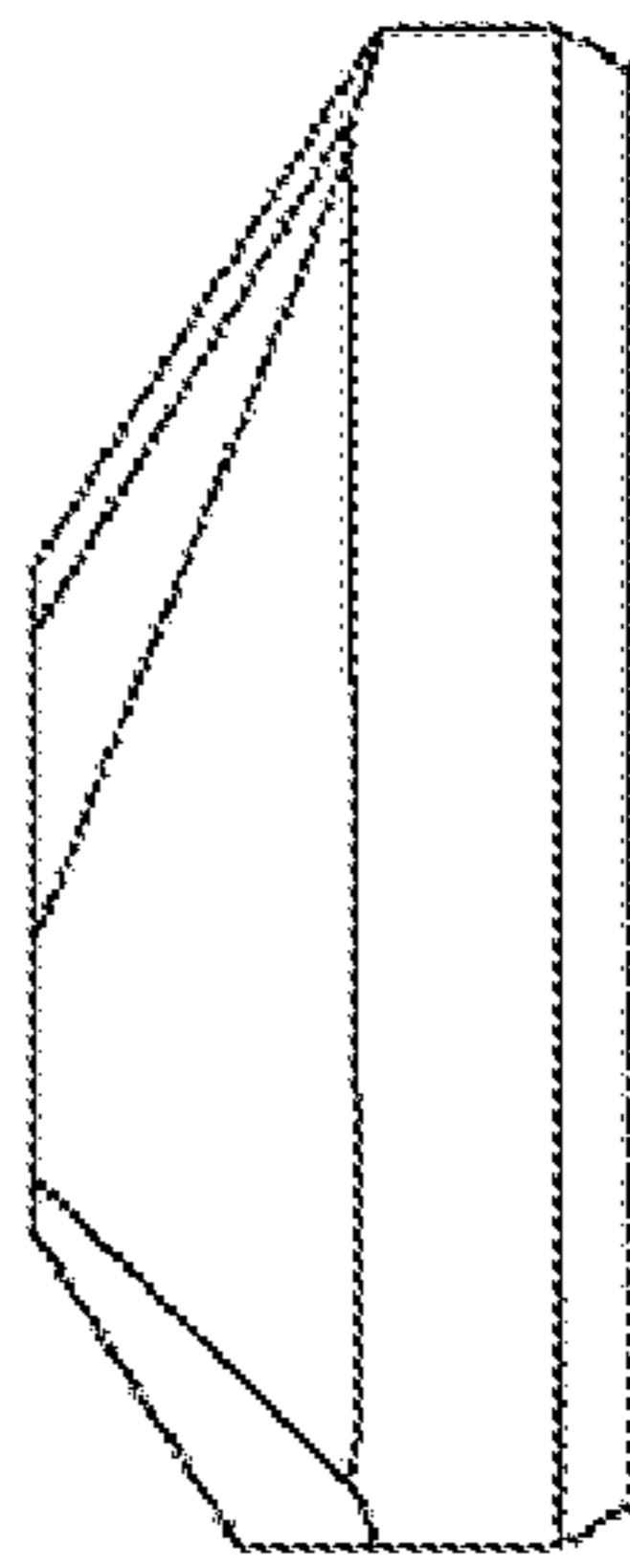


Fig. 7

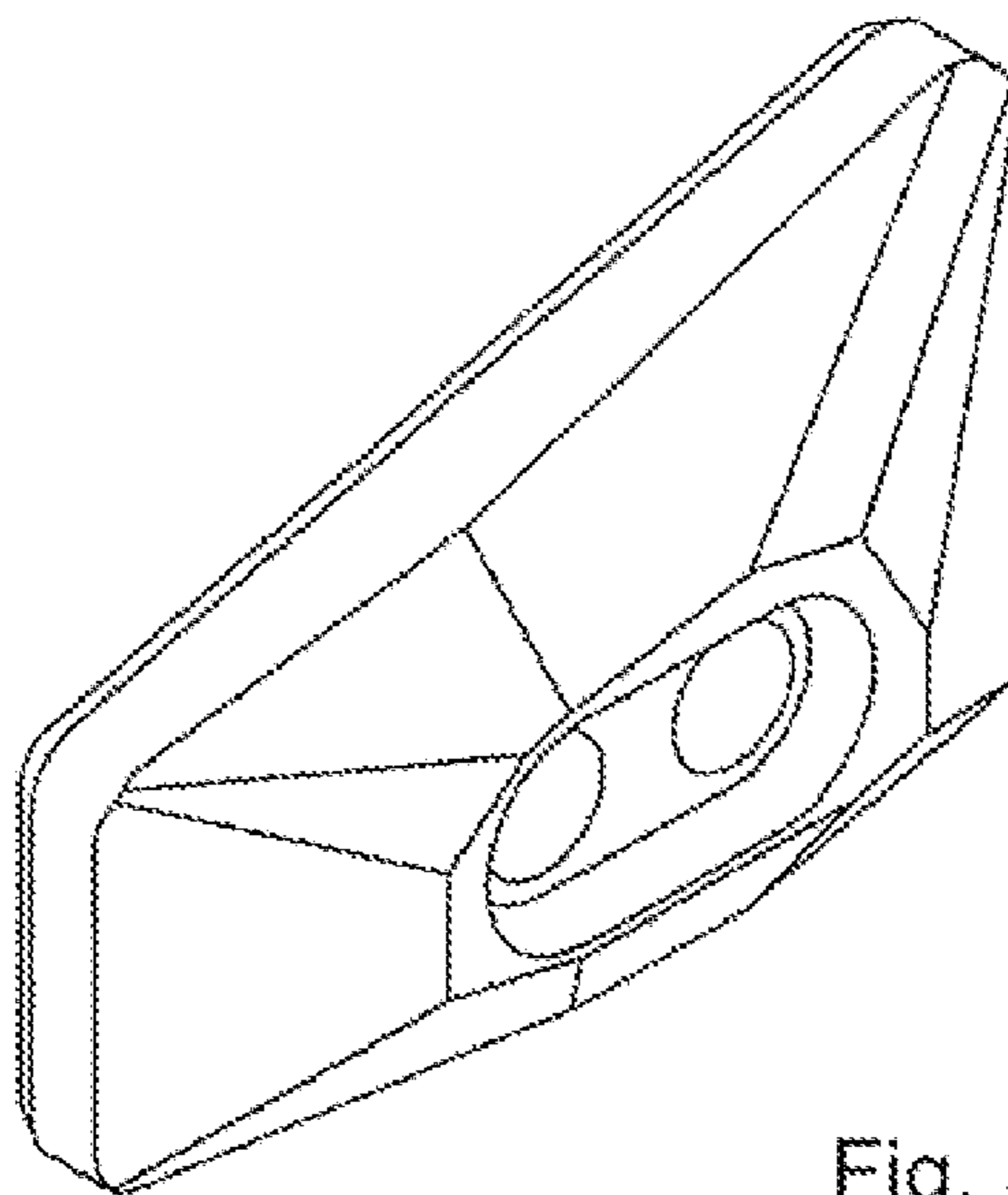


Fig. 8