

US00D661214S

(12) **United States Design Patent**
McLeod

(10) **Patent No.:** **US D661,214 S**
(45) **Date of Patent:** **** Jun. 5, 2012**

(54) **GAME CALL**

(76) Inventor: **Levi McLeod**, Delta, CO (US)

(**) Term: **14 Years**

(21) Appl. No.: **29/399,883**

(22) Filed: **Aug. 19, 2011**

(51) **LOC (9) Cl.** **10-05**

(52) **U.S. Cl.** **D10/116.1**

(58) **Field of Classification Search** D10/119.1,
D10/119.3; 446/202-209

See application file for complete search history.

(56) **References Cited**

U.S. PATENT DOCUMENTS

3,968,592	A	7/1976	Piper	
4,207,703	A	6/1980	Saso	
4,335,539	A	6/1982	Jones	
5,222,903	A *	6/1993	Parrott et al.	446/207
D498,165	S *	11/2004	Primos et al.	D10/119.2
6,926,578	B1	8/2005	Casias et al.	
7,384,323	B2 *	6/2008	Sceery	446/208

7,785,166	B1	8/2010	Kirby	
D642,950	S *	8/2011	Barden	D10/119.1
8,016,637	B2 *	9/2011	Pribbanow	446/202

OTHER PUBLICATIONS

Primos Hunting Calls—Cow, website at <https://shop.primos.com/c-15-cow.aspx>, 2011, 2 pages.

* cited by examiner

Primary Examiner — George D Kirschbaum

(74) *Attorney, Agent, or Firm* — Sheridan Ross P.C.

(57) **CLAIM**

The ornamental design for a game call, as shown and described.

DESCRIPTION

FIG. 1 is a front perspective view of the game call;

FIG. 2 is a top plan view thereof;

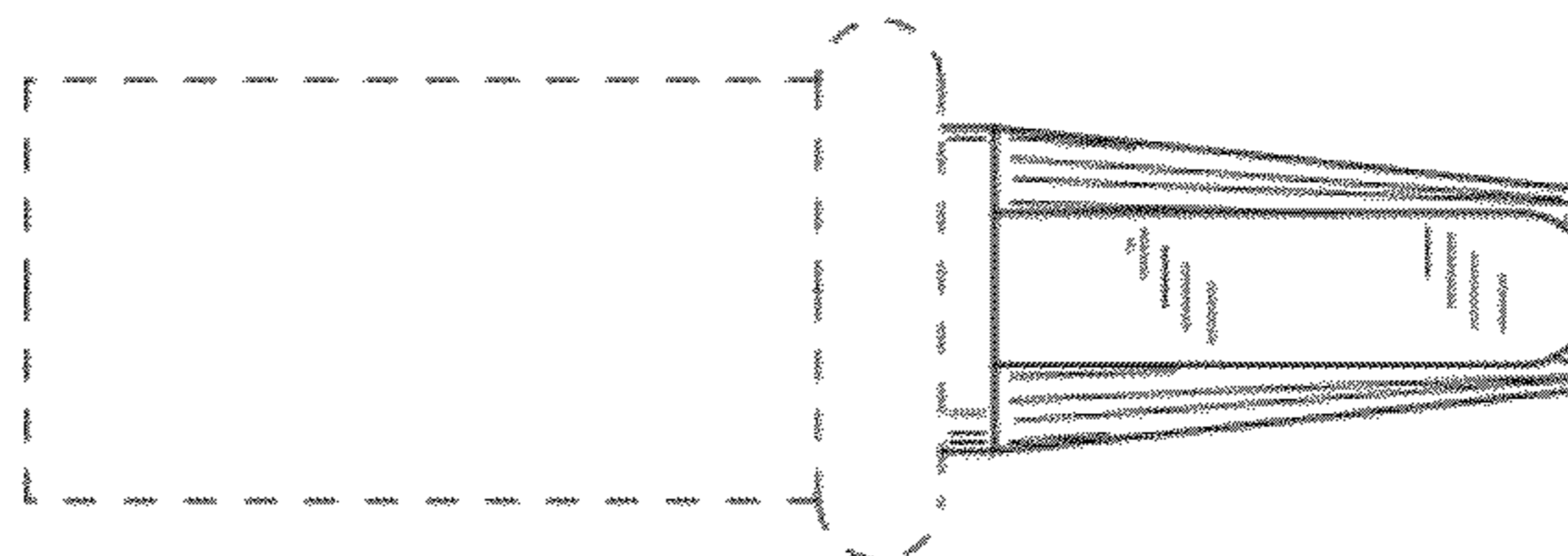
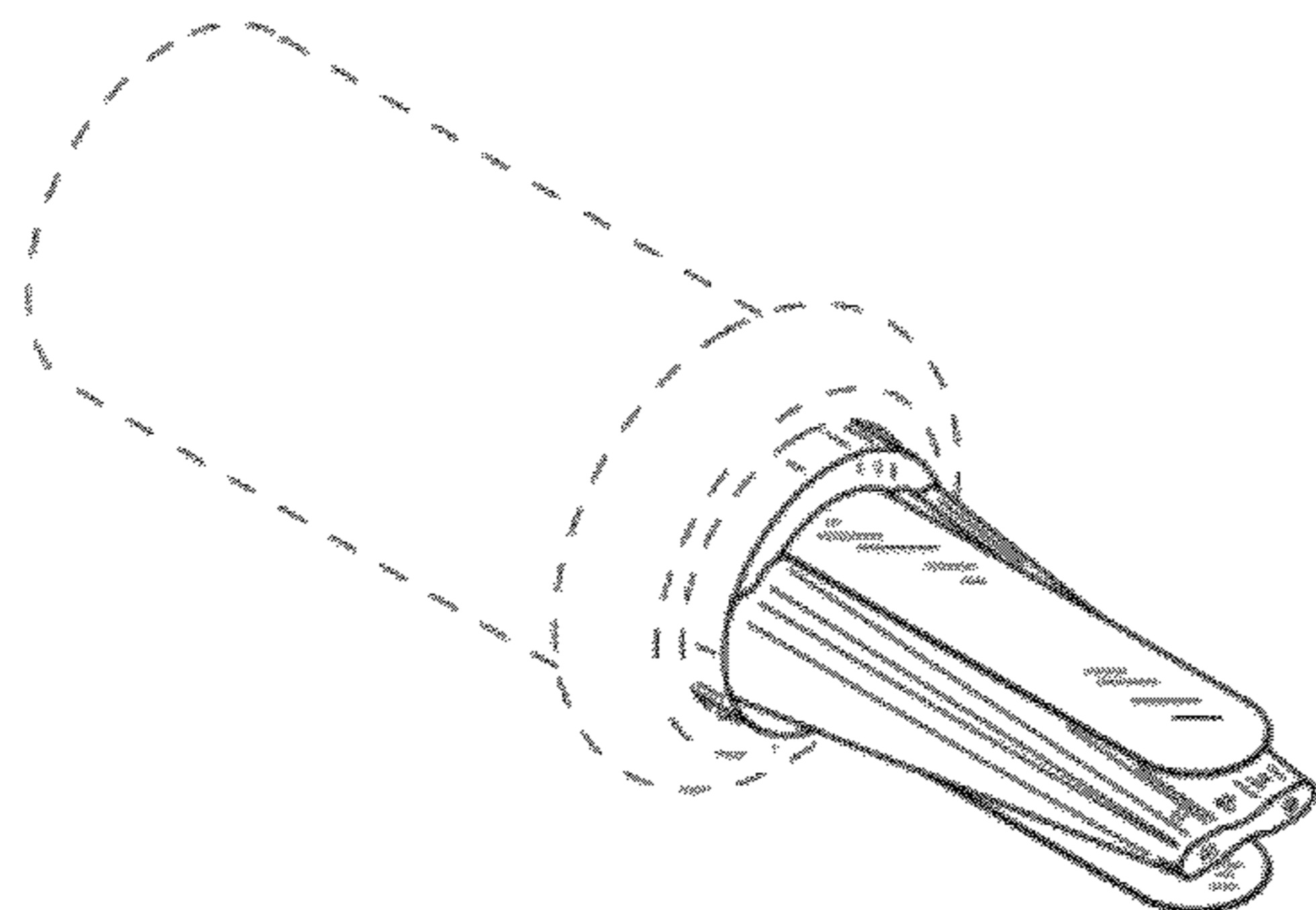
FIG. 3 is a left elevation view thereof;

FIG. 4 is a front elevation view thereof; and,

FIG. 5 is a right elevation view thereof.

The broken line showing of a game call is included for the purpose of illustrating environment and forms no part of the claimed design.

1 Claim, 2 Drawing Sheets



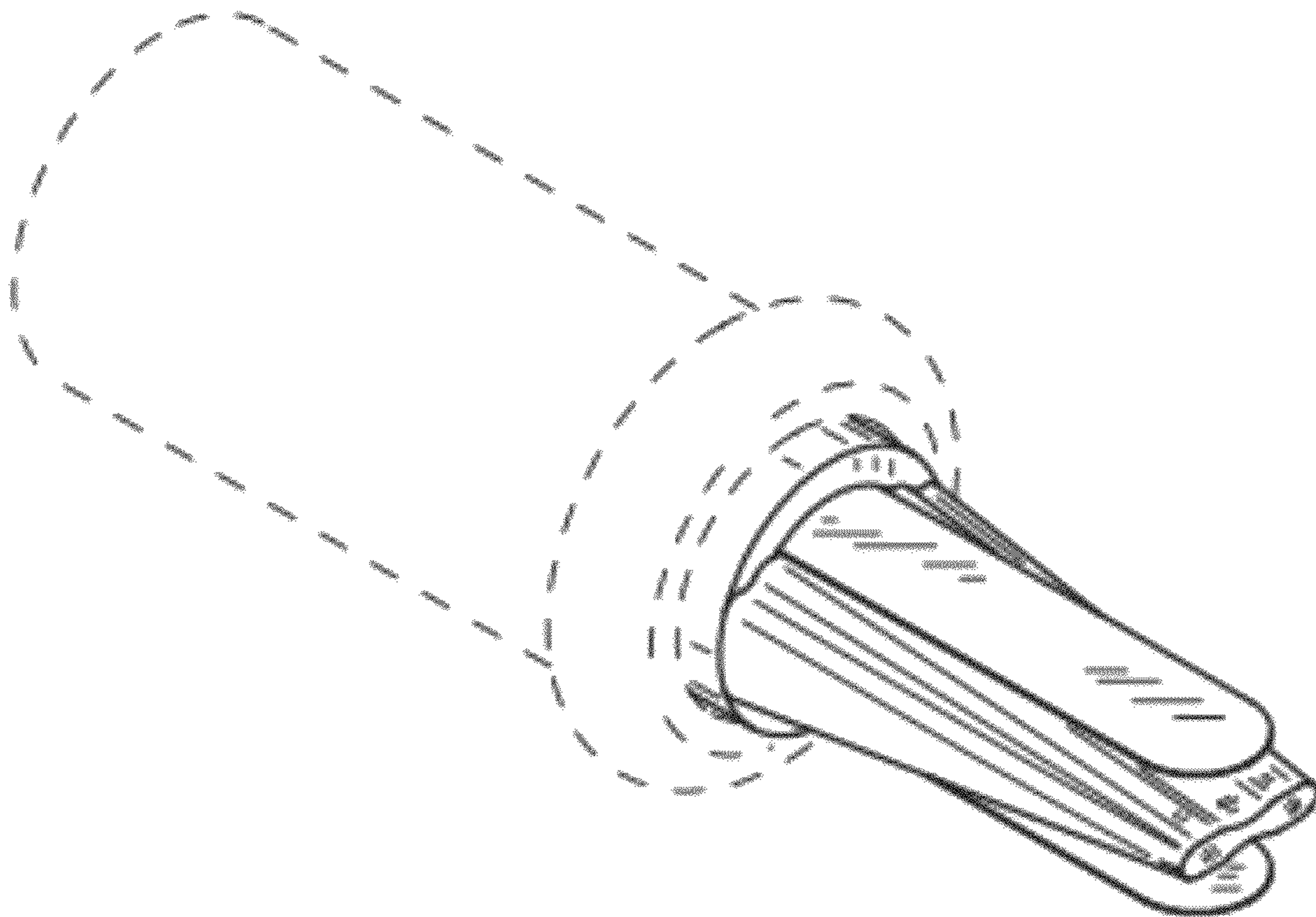


FIG. 1

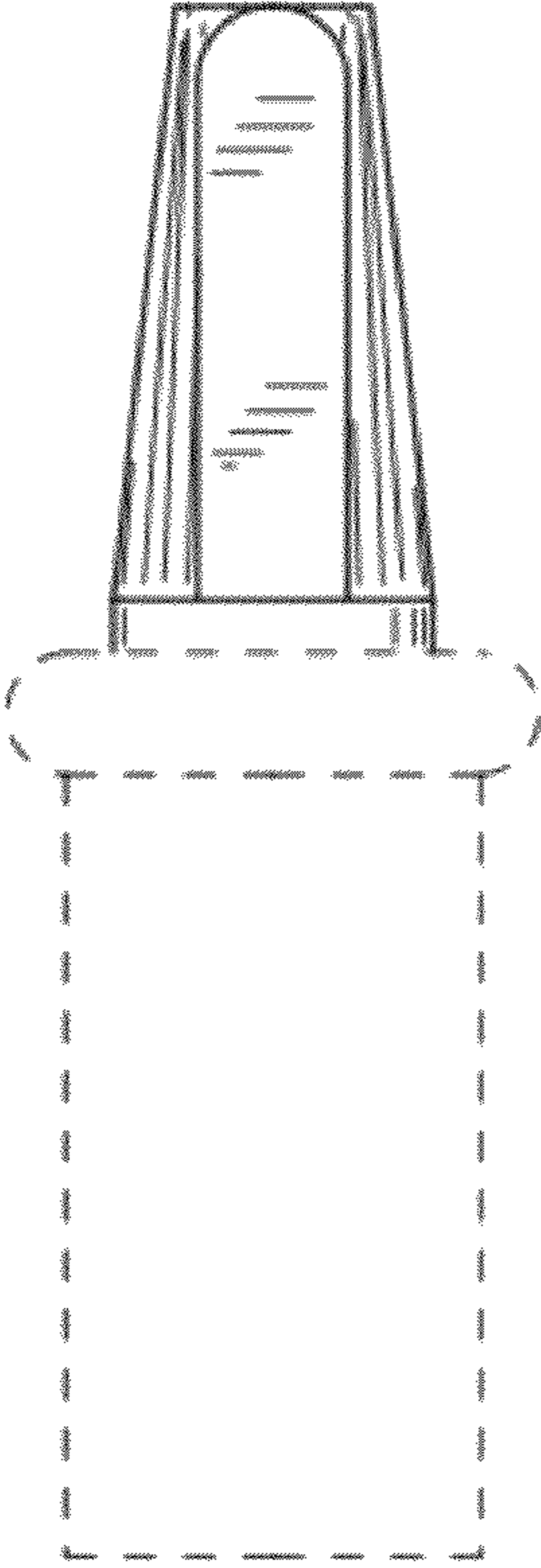


FIG. 2

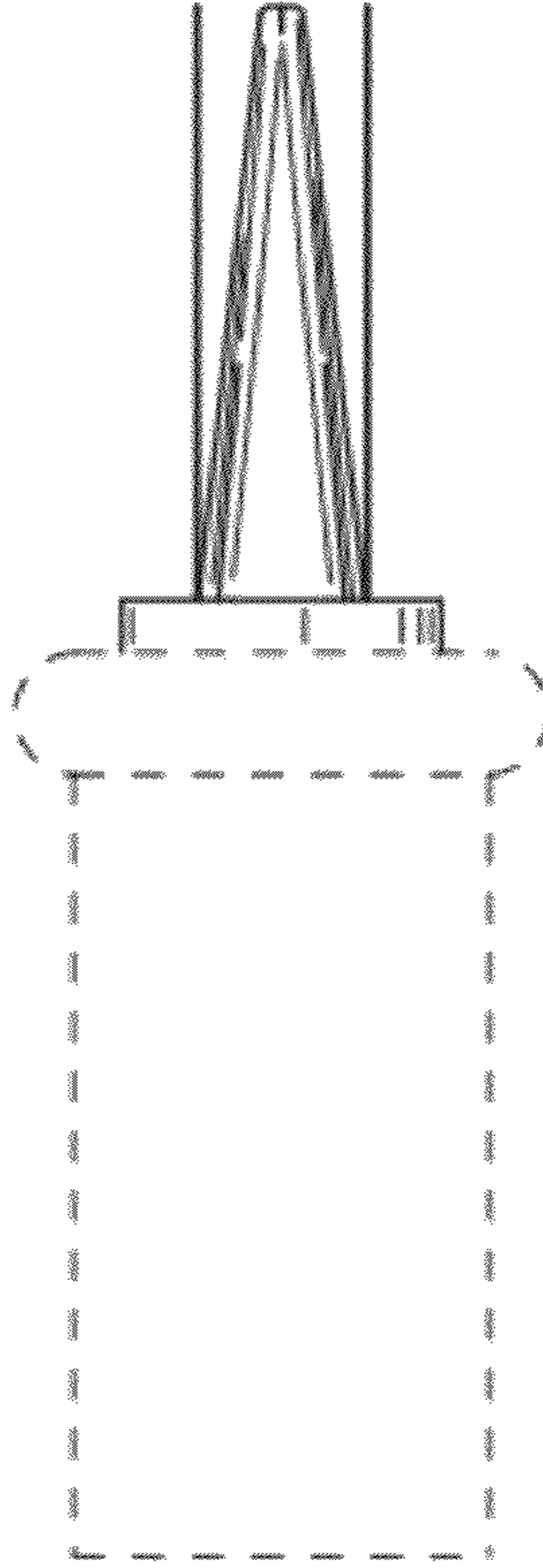


FIG. 4

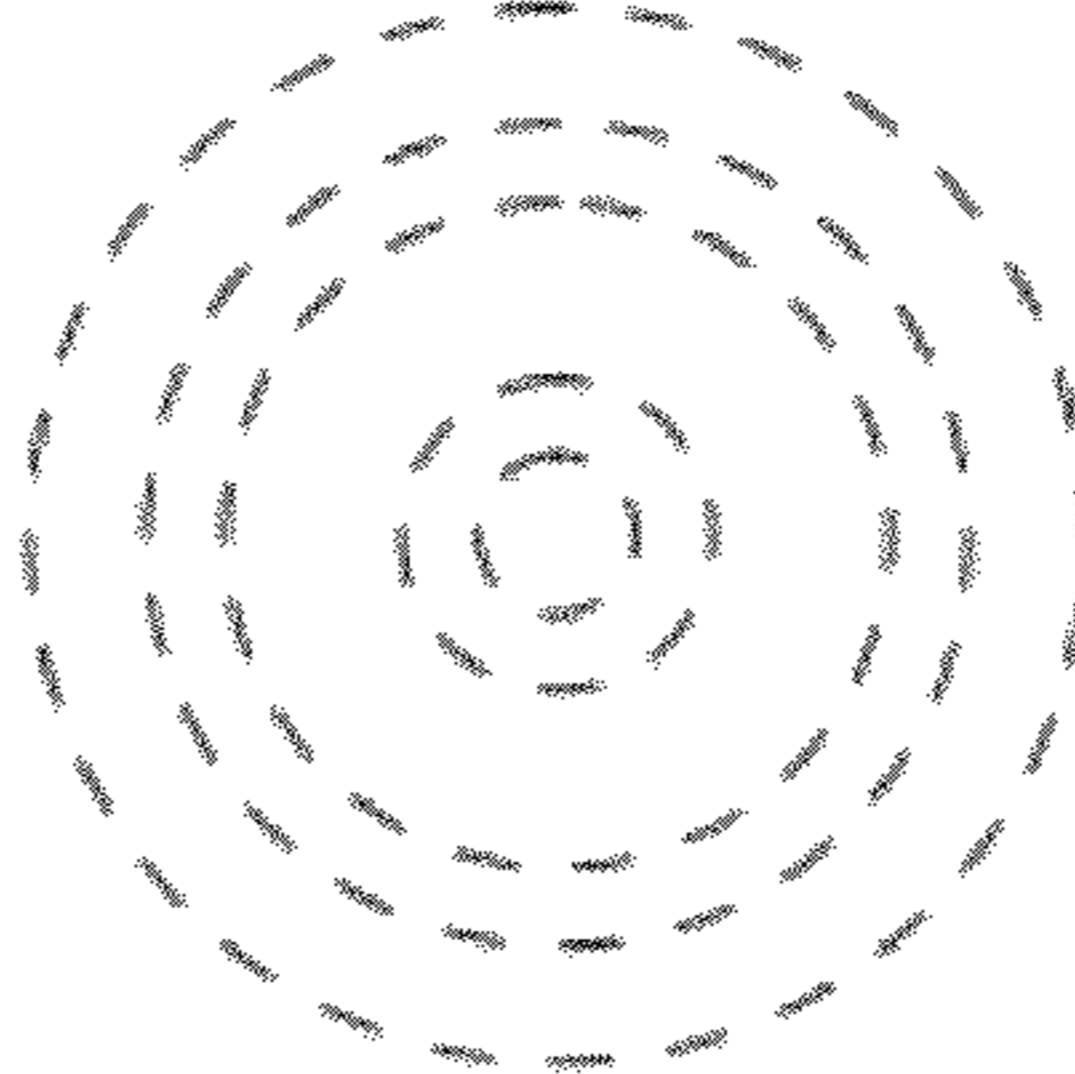


FIG. 3

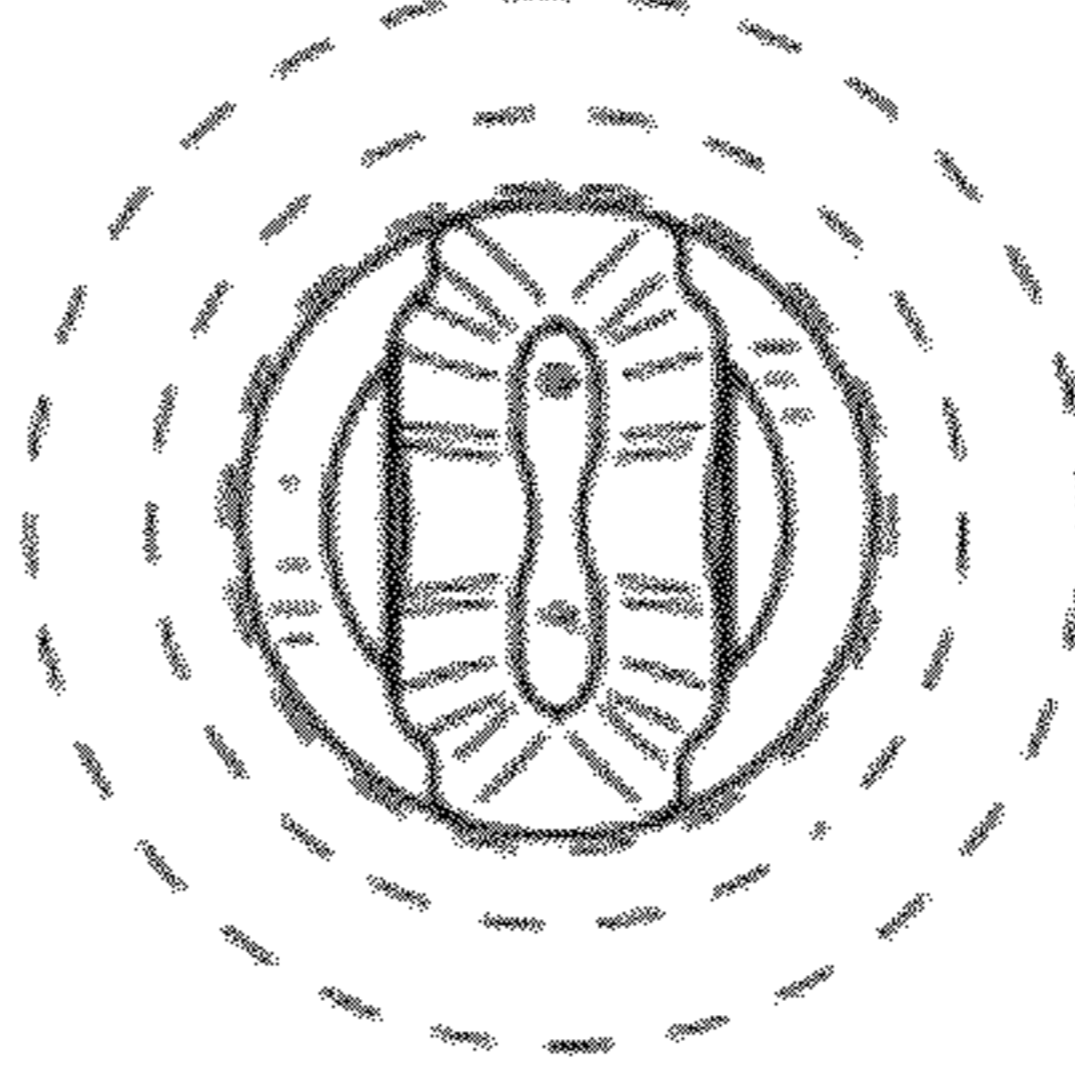


FIG. 5