



US00D661213S

(12) **United States Design Patent**
Hojmose

(10) **Patent No.:** **US D661,213 S**
(45) **Date of Patent:** **** Jun. 5, 2012**

(54) **SMOKE SENSOR**

(75) Inventor: **Glenn Hojmose**, Silkeborg (DK)

(73) Assignee: **Cavius APS** (DK)

(**) Term: **14 Years**

(21) Appl. No.: **29/407,466**

(22) Filed: **Nov. 29, 2011**

(30) **Foreign Application Priority Data**

Nov. 23, 2011 (EM) 001951450

(51) **LOC (9) Cl.** **10-05**

(52) **U.S. Cl.** **D10/106.2**

(58) **Field of Classification Search** ... D10/106.2-106.5;
340/531, 540-545, 555, 558, 571-573, 556;
392/423; 362/276; 428/192; 134/21
See application file for complete search history.

(56) **References Cited**

U.S. PATENT DOCUMENTS

D215,040 S *	8/1969	Pearsall	D10/106.5
D226,539 S *	3/1973	Ludt	D10/106.5
D238,484 S *	1/1976	Abe	D10/106.2
4,823,118 A *	4/1989	Suzuki et al.	340/693.5
7,414,538 B2 *	8/2008	Cook et al.	340/628
7,760,102 B2 *	7/2010	Chabanis et al.	340/584
2002/0008152 A1 *	1/2002	Yahav	239/1

* cited by examiner

Primary Examiner — George D Kirschbaum

(74) *Attorney, Agent, or Firm* — Sheridan Ross, P.C.

(57) **CLAIM**

The ornamental design for a smoke sensor, as shown and described.

DESCRIPTION

FIG. 1 is a bottom perspective view of a smoke sensor, showing my new design;

FIG. 2 is a side elevation view of the smoke sensor of FIG. 1;

FIG. 3 is another bottom perspective view of the smoke sensor of FIG. 1;

FIG. 4 is a top perspective view of the smoke sensor of FIG. 1;

FIG. 5 is a bottom view of the smoke sensor of FIG. 1;

FIG. 6 is a top view of the smoke sensor of FIG. 1;

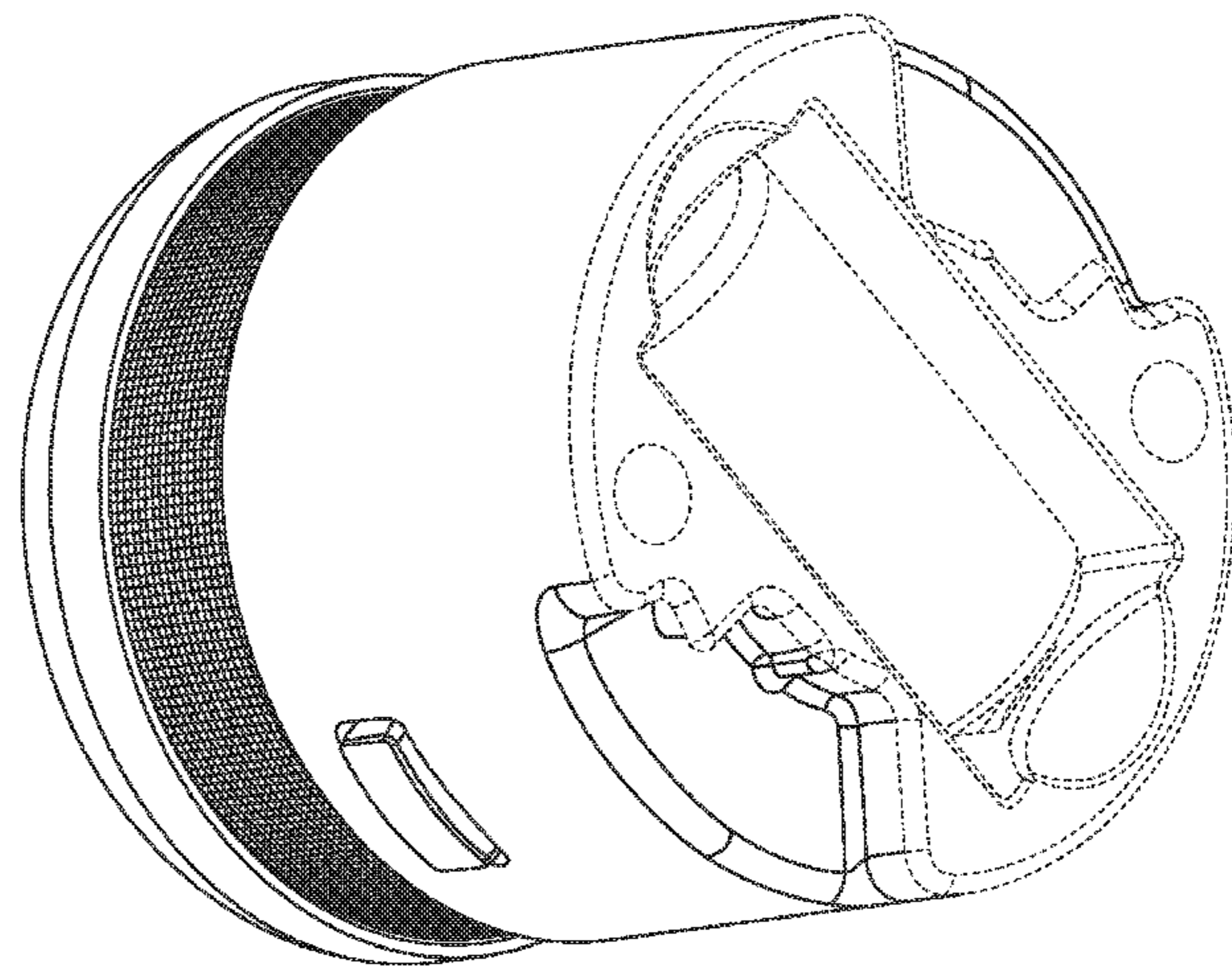
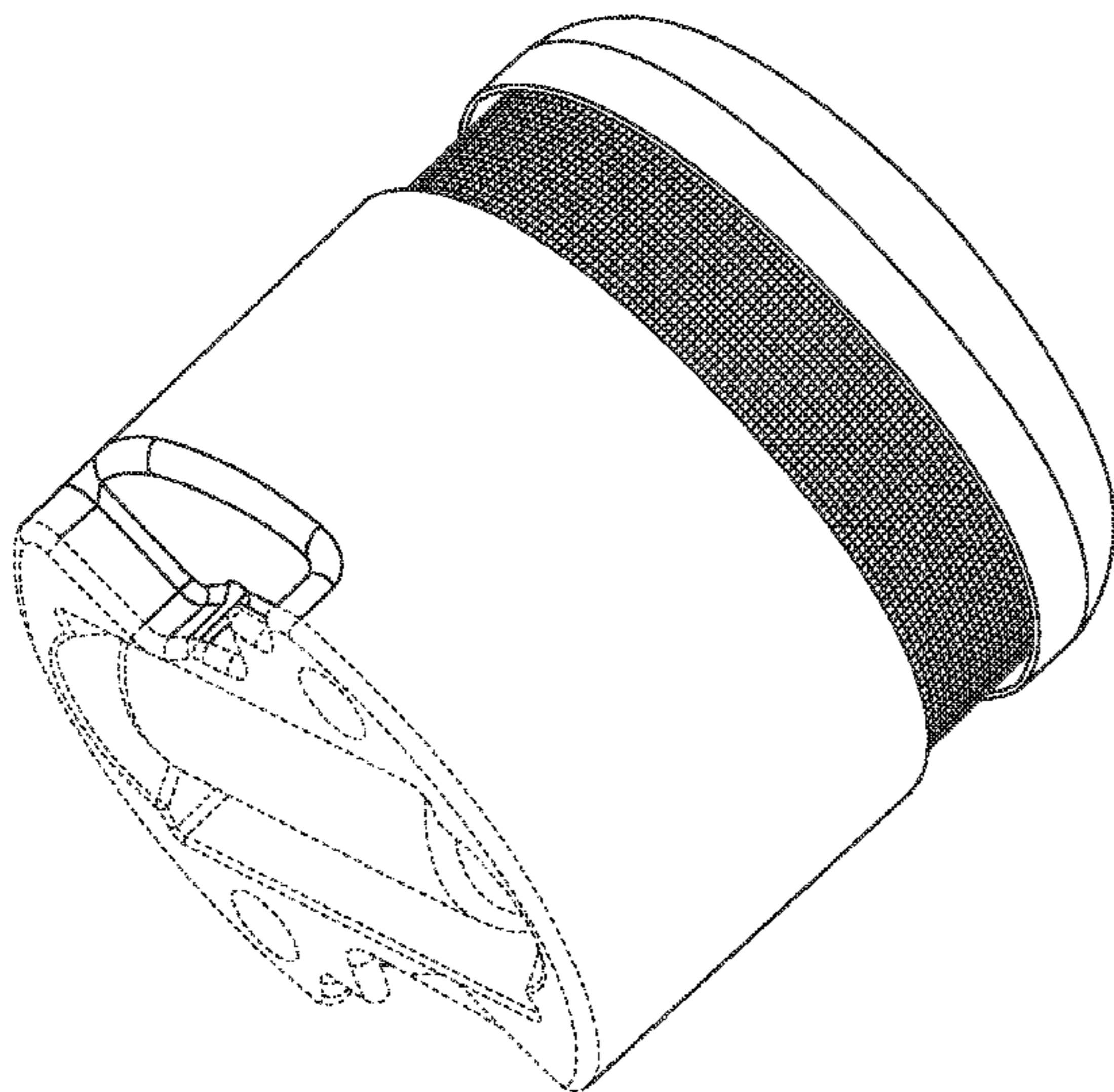
FIG. 7 is an bottom perspective view of a second embodiment, the top and side views being the same as that seen in first embodiment;

FIG. 8 is a second bottom perspective view thereof; and,

FIG. 9 is bottom view thereof.

The broken line showing of central region of the bottom of the design seen in FIGS. 7-9 is included for the purpose of illustrating portions of the “article” and forms no part of the claimed design.

1 Claim, 9 Drawing Sheets



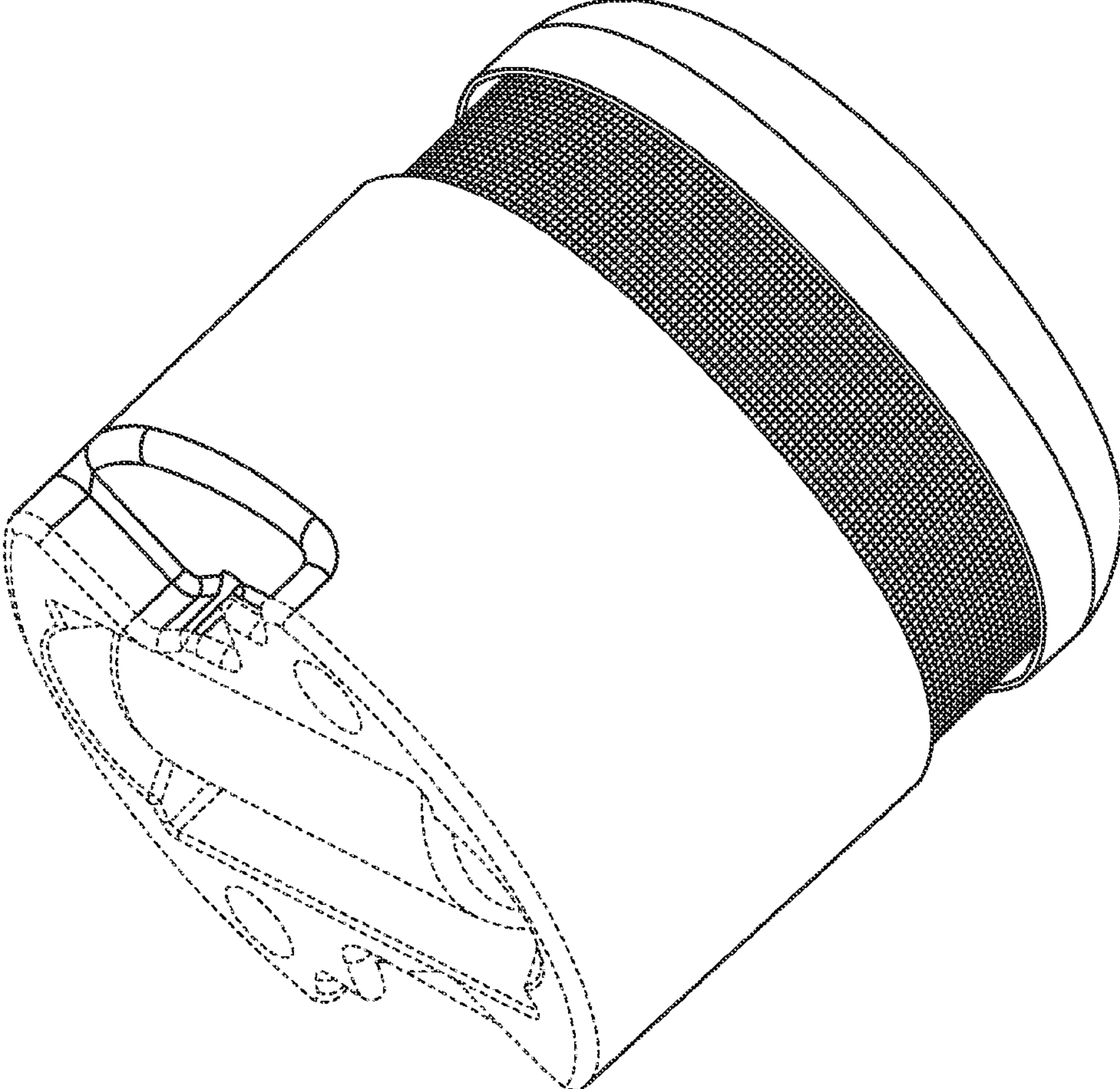


FIG.1

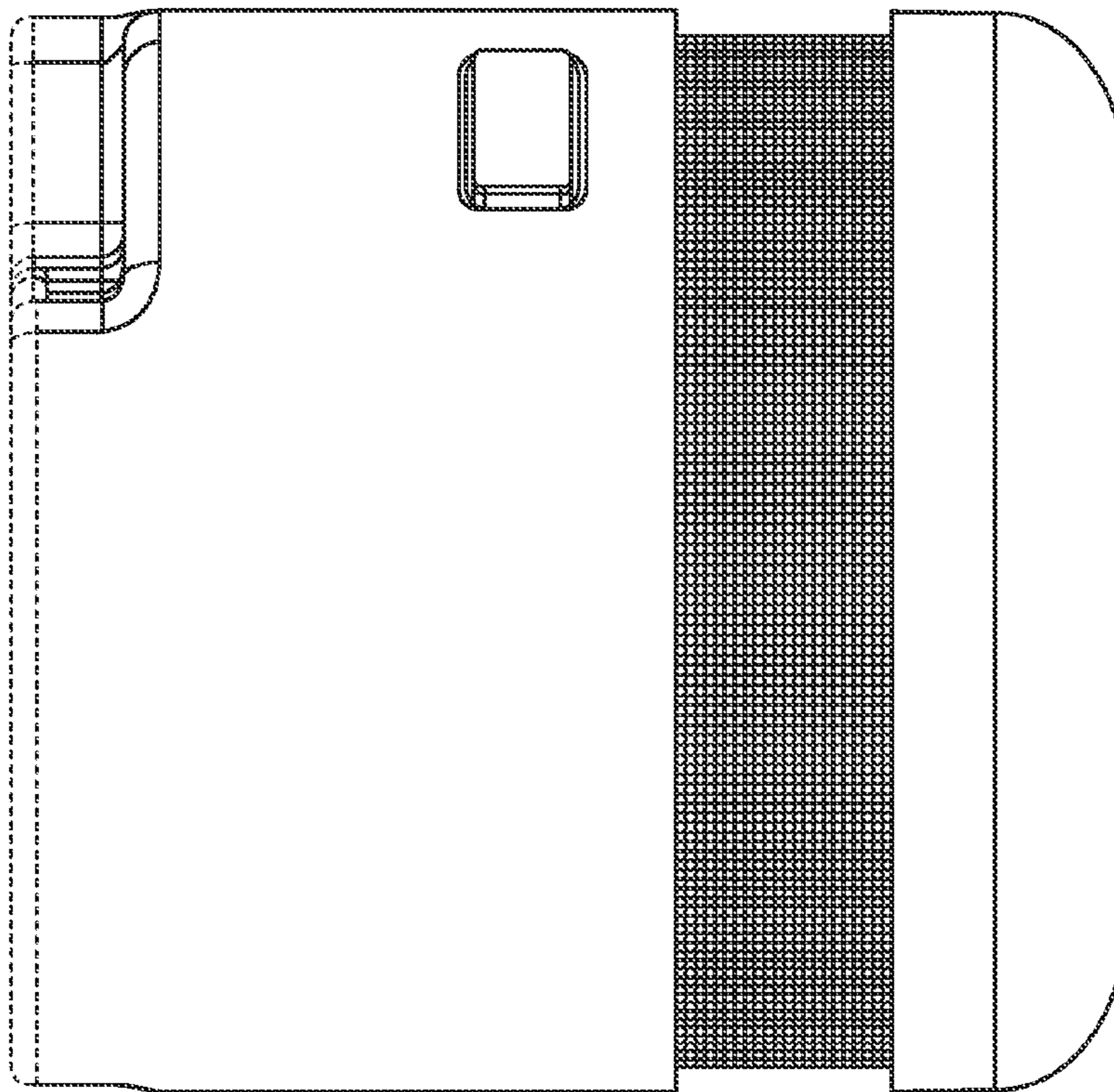


FIG. 2

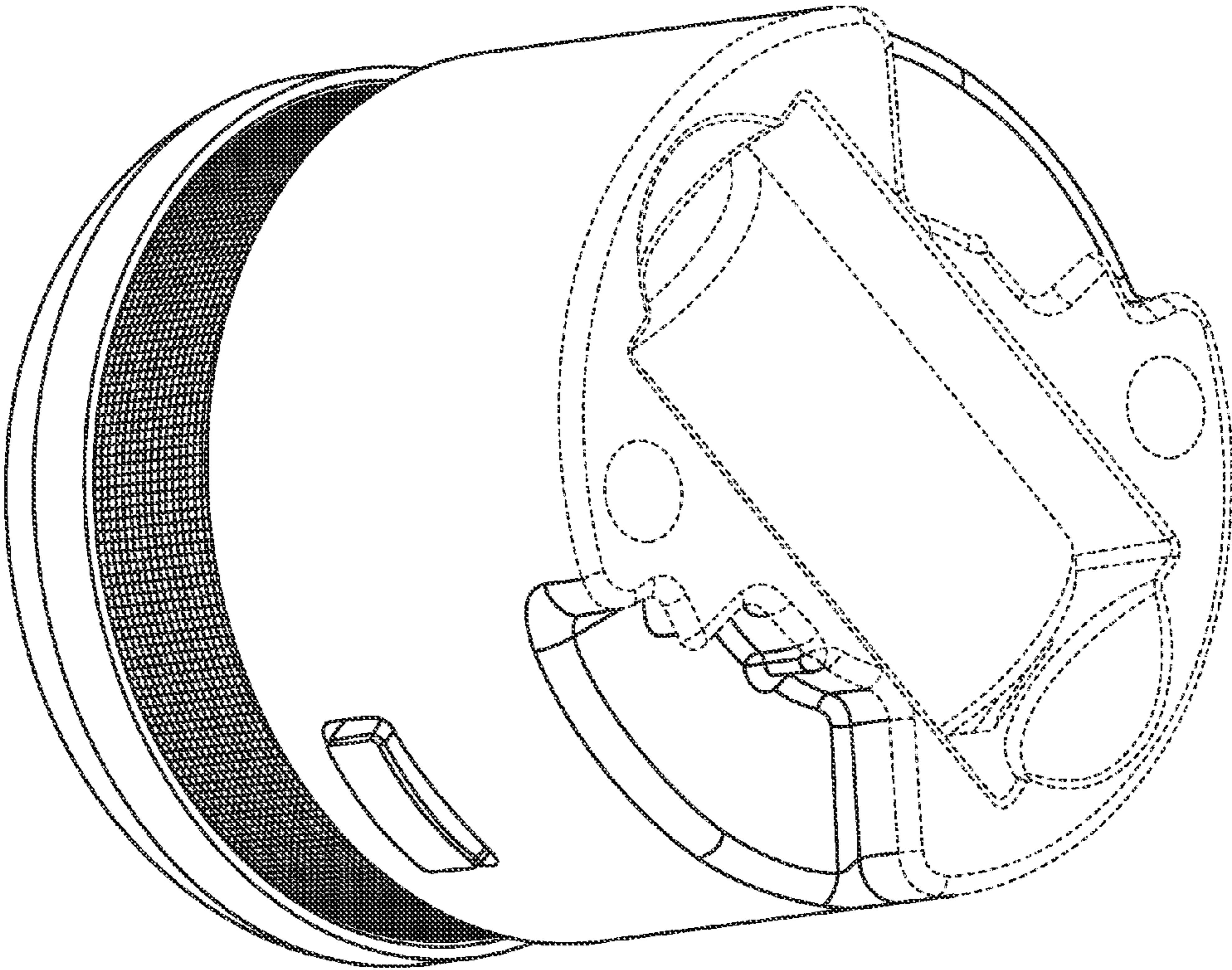


FIG.3

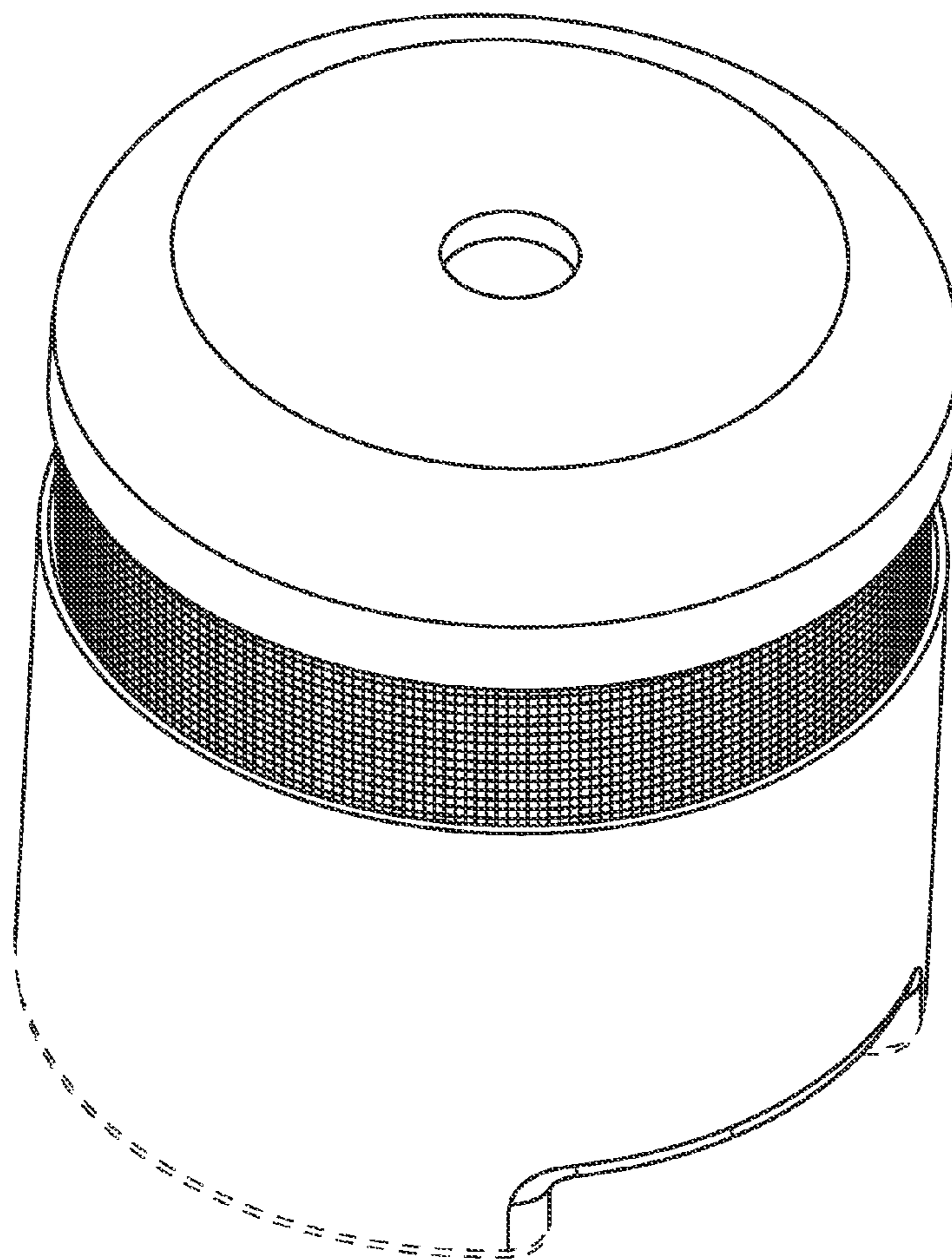


FIG.4

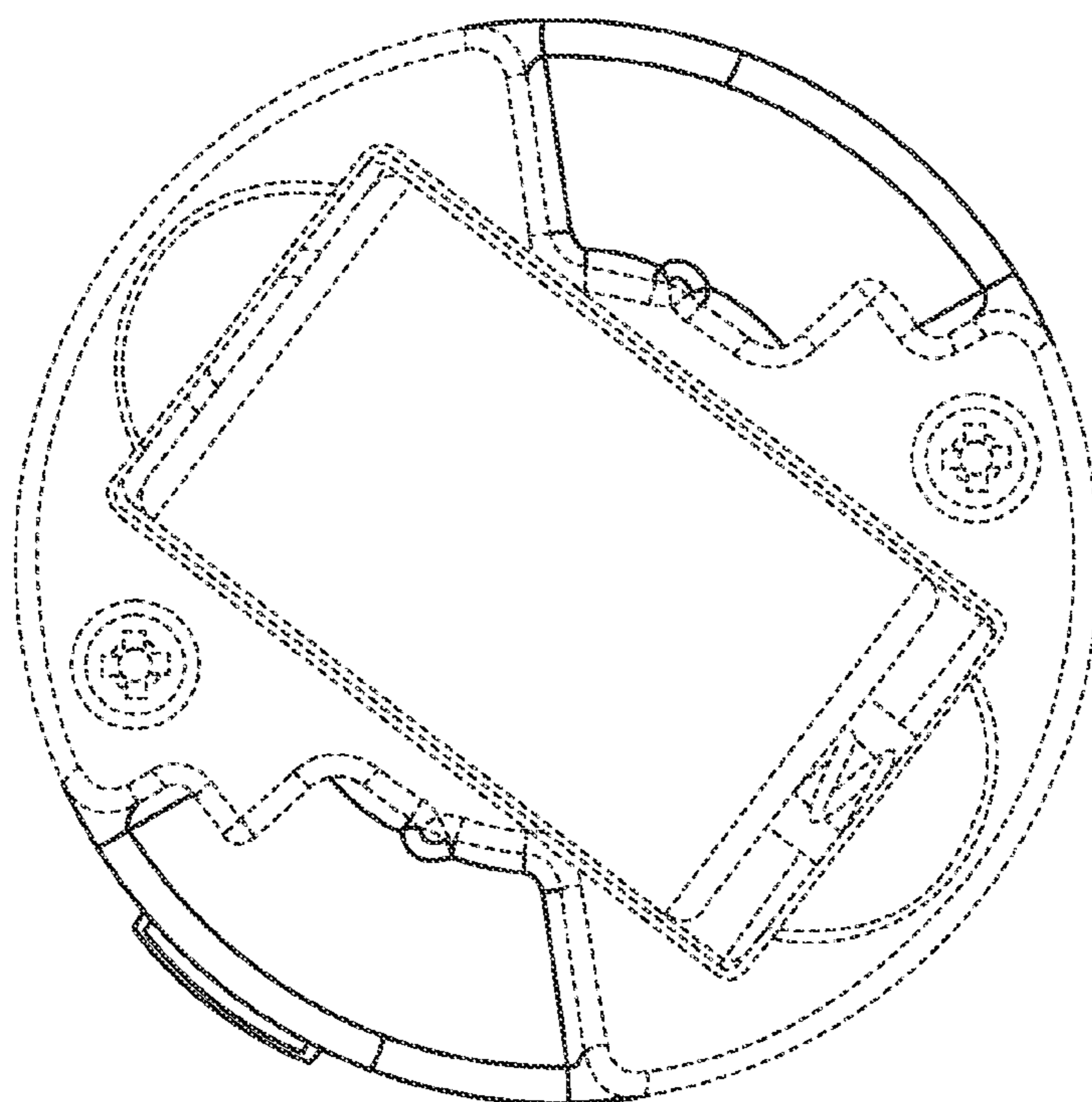


FIG.5

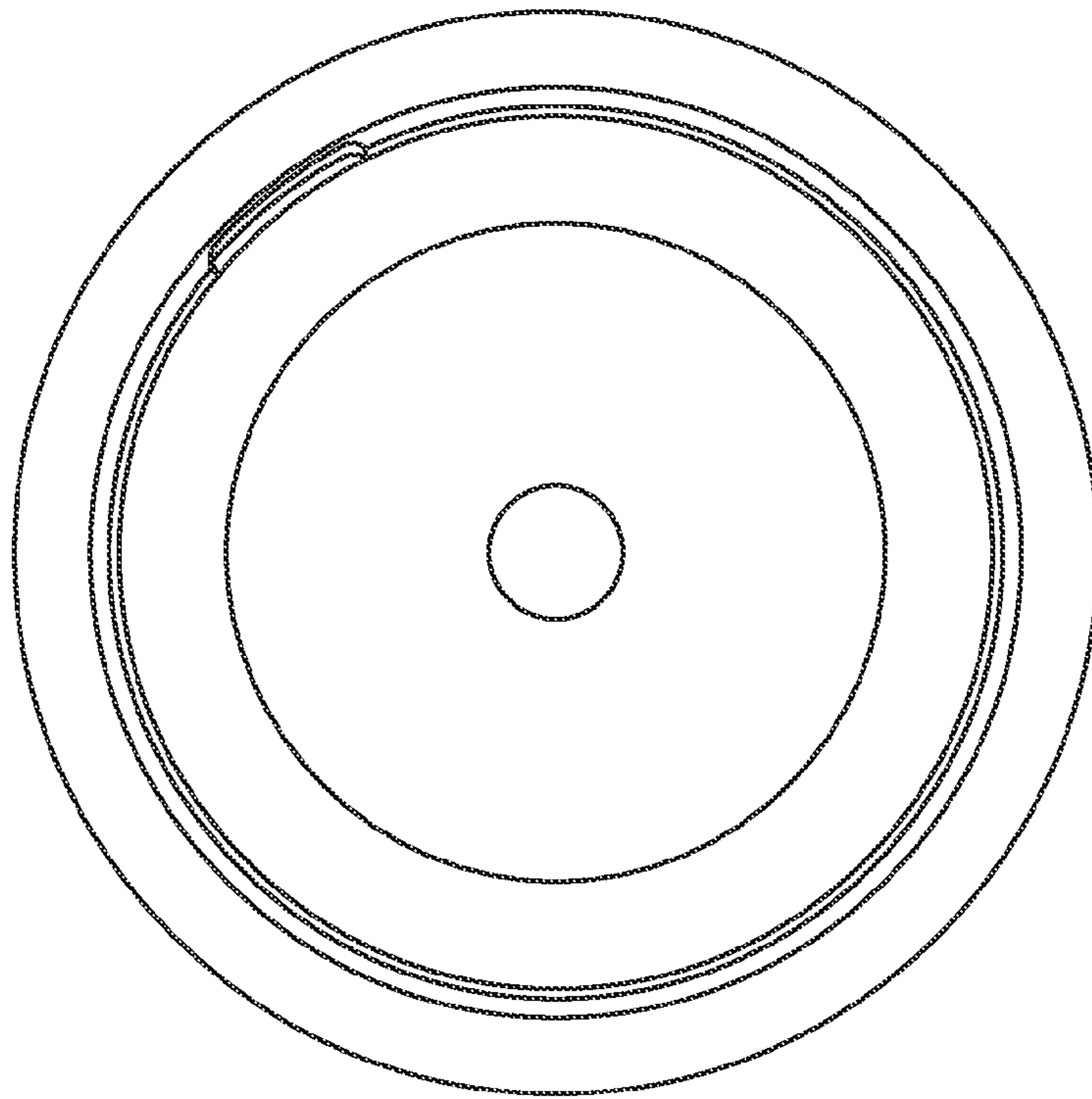


FIG.6

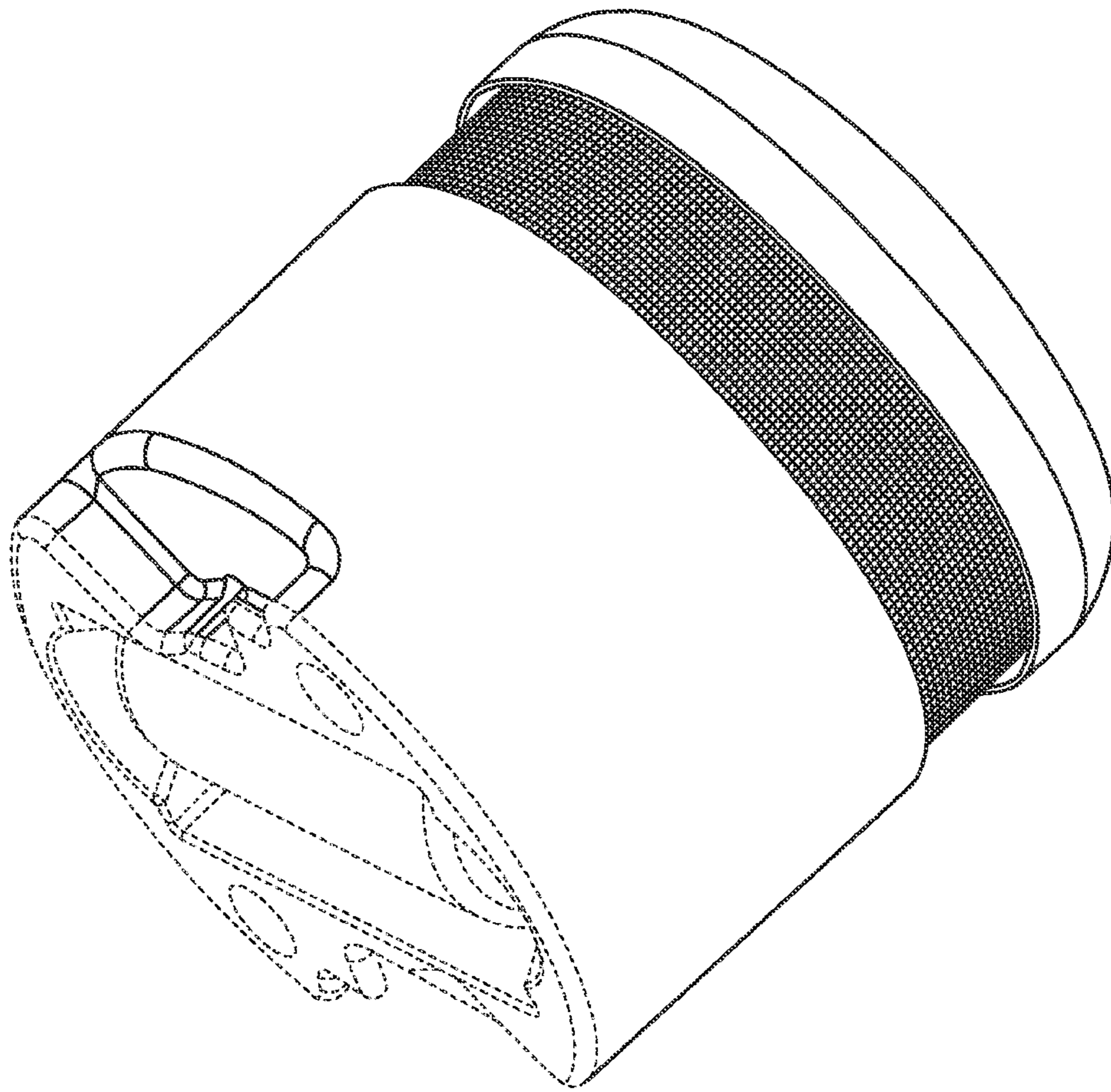


FIG.7

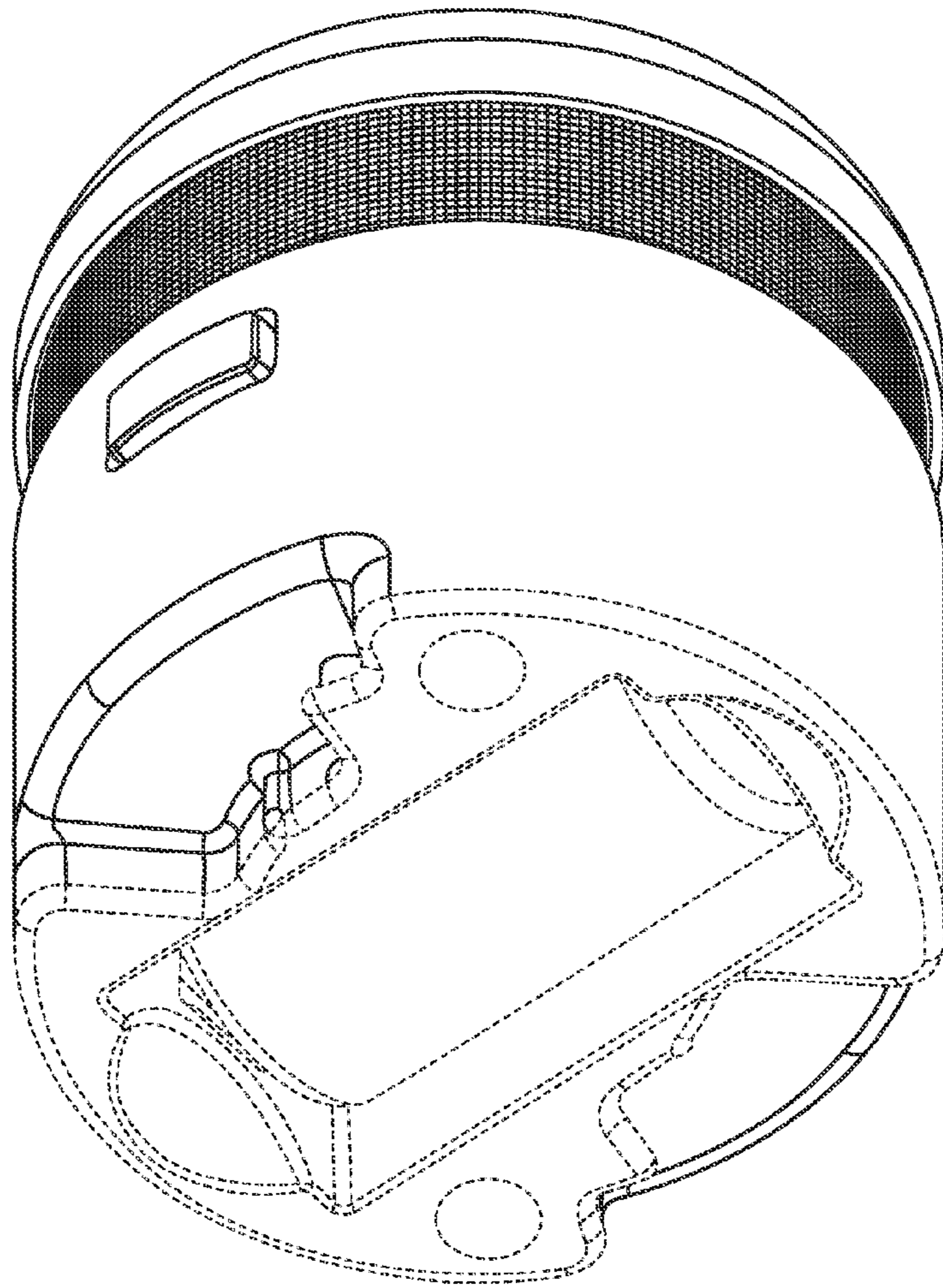


FIG.8

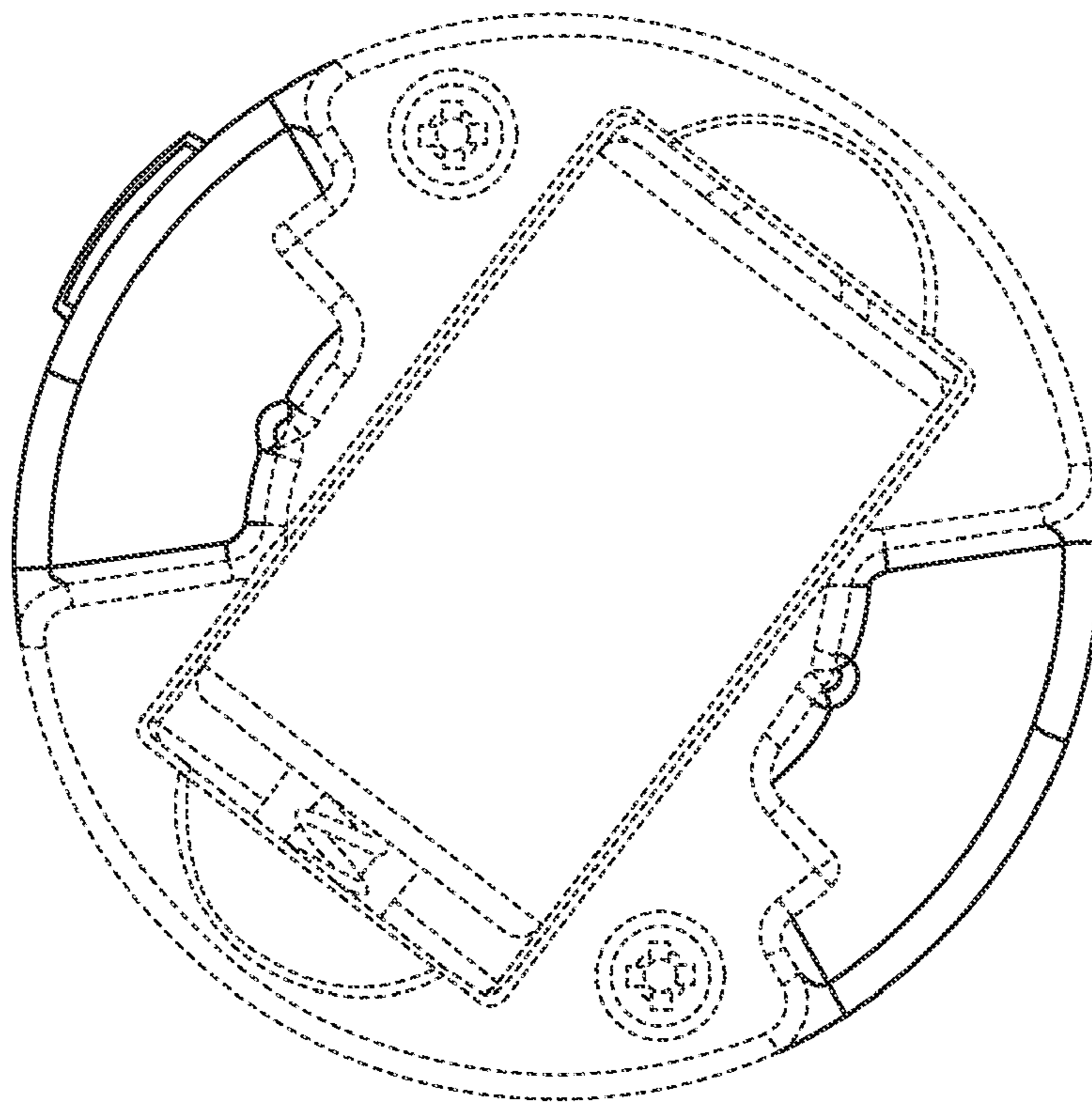


FIG. 9