

US00D661212S

(12) **United States Design Patent**
DeLeon et al.

(10) **Patent No.:** **US D661,212 S**
(45) **Date of Patent:** **** Jun. 5, 2012**

- (54) **SENSOR HOUSING**
- (75) Inventors: **Carveth DeLeon**, Brockton, MA (US);
Alexandr Ivan Fedorenko, Newton,
MA (US)
- (73) Assignee: **Honeywell International Inc.**,
Morristown, NJ (US)
- (**) Term: **14 Years**
- (21) Appl. No.: **29/398,728**
- (22) Filed: **Aug. 3, 2011**
- (51) **LOC (9) Cl.** **10-05**
- (52) **U.S. Cl.** **D10/106.2**
- (58) **Field of Classification Search** D10/106.5,
D10/106.2, 121, 98, 81, 47, 50; 340/628,
340/632, 634, 544, 545, 555, 558, 571, 693.6;
493/333; 73/23.2
See application file for complete search history.

- D628,926 S 12/2010 Carey et al.
- D631,681 S 2/2011 Ciavarella et al.
- D634,229 S 3/2011 Williams et al.
- D635,681 S 4/2011 Edwards et al.
- 2011/0072882 A1* 3/2011 Hall et al. 73/23.2

OTHER PUBLICATIONS

<http://www.google.com/products/catalog?hl=en&xhr=&q=motion+sensor&cp=13&bav=on...>, "Wireless Motion Sensor for INSTEON Automated Lighting Systems 2420M," 3 pages, printed Aug. 3, 2011.

<http://www.google.com/products/catalog?hl=en&xhr=t&q=motion+sensor&cp=13&bav=on...>, "Jobar 82-5532 2-in-1 Motion Sensor Alarm," 2 pages, printed Aug. 3, 2011.

<http://www.google.com/products/catalog?q=motion+sensor&hl=en&prmd=ivns&bav=on.2...>, "Lumapro 2LBN4 Motion Sensor 240 Deg. Viewing White," 2 pages, printed Aug. 3, 2011.

(Continued)

Primary Examiner — George D Kirschbaum
(74) *Attorney, Agent, or Firm* — Seager, Tufte & Wickhem LLC

(56) **References Cited**

U.S. PATENT DOCUMENTS

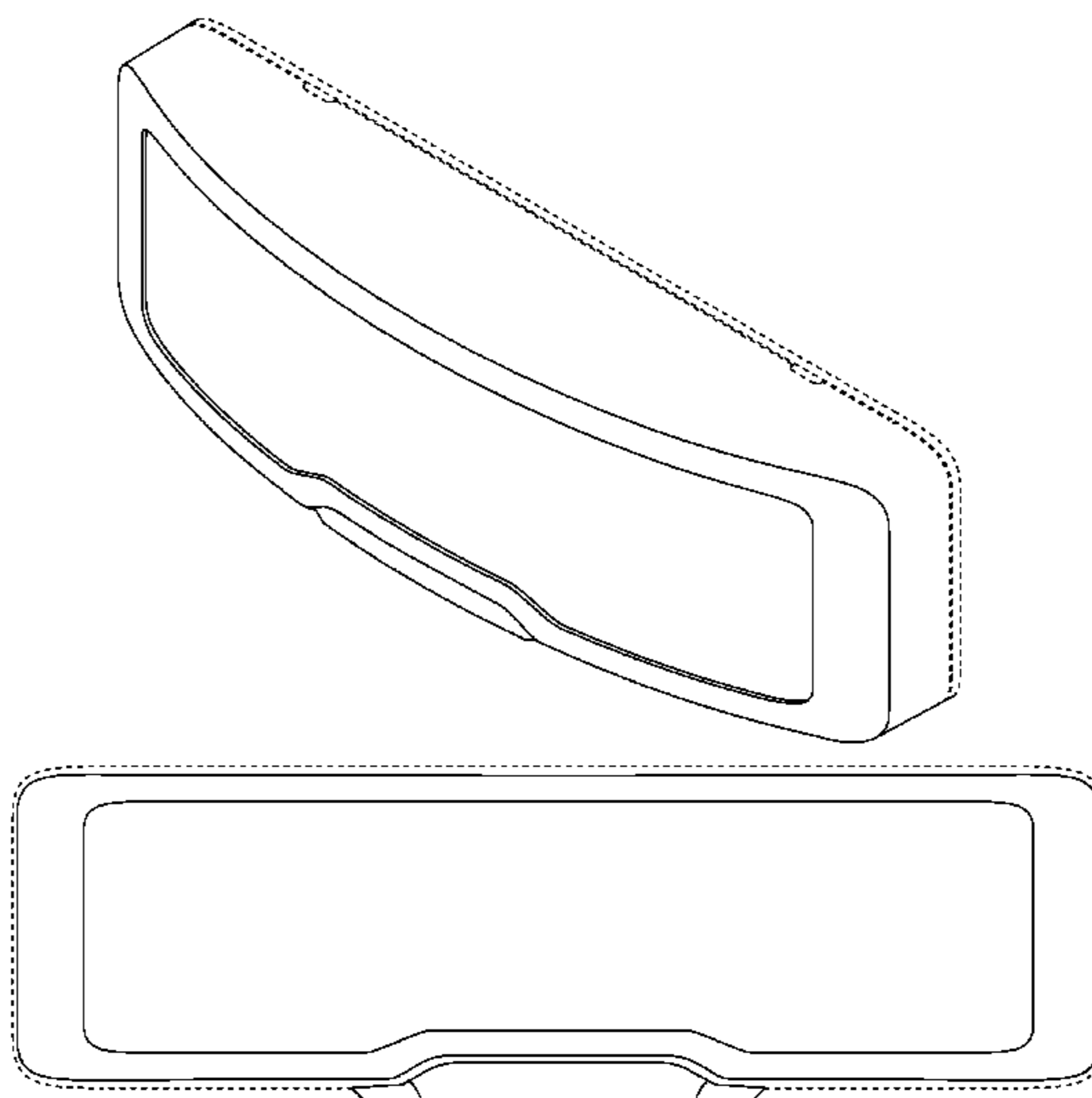
- D410,586 S * 6/1999 Olsen D10/106.2
- D444,087 S * 6/2001 Johannsen et al. D10/81
- D534,089 S * 12/2006 Disselkoen et al. D10/50
- D535,204 S 1/2007 Bender et al.
- D541,679 S 5/2007 Disselkoen
- D542,160 S 5/2007 Disselkoen
- D564,000 S 3/2008 Zyduck et al.
- D579,799 S 11/2008 Barton et al.
- D580,801 S 11/2008 Takach et al.
- D582,408 S 12/2008 Maiers et al.
- D590,508 S 4/2009 Tupin, Jr.
- D592,647 S 5/2009 L'Henaff
- D592,648 S 5/2009 L'Henaff
- D592,649 S 5/2009 L'Henaff
- D594,354 S 6/2009 Disselkoen et al.
- D596,963 S 7/2009 Novotny et al.
- D596,964 S 7/2009 Wang et al.

(57) **CLAIM**
The ornamental design for a sensor housing, as shown and described.

DESCRIPTION

FIG. 1 is a perspective view of a sensor housing;
FIG. 2 is a front elevation view of the sensor housing of FIG. 1;
FIG. 3 is a left elevation view of the sensor housing of FIG. 1;
FIG. 4 is a right elevation view of the sensor housing of FIG. 1;
FIG. 5 is a top view of the sensor housing of FIG. 1; and,
FIG. 6 is a bottom view of the sensor housing of FIG. 1.
The broken lines depict unclaimed environmental subject matter.

1 Claim, 6 Drawing Sheets



OTHER PUBLICATIONS

<http://www.google.com/products/catalog?hl=en&xhr=t&q=motion+sensor&cp=13&bav=on...>, "Macally Mace Wireless Motion Detector Sensor—80357," 3 pages, printed Aug. 3, 2011.
<http://www.google.com/>, "Motion Sensor—Google Search," #1, 2 pages, printed Aug. 3, 2011.
<http://www.google.com/>, "Motion Sensor—Google Search," #2, 3 pages, printed Aug. 3, 2011.
<http://www.google.com/>, "Motion Sensor—Google Search," #3, 3 pages, printed Aug. 3, 2011.
<http://www.google.com/>, "Motion Sensor—Google Search," #4, 2 pages, printed Aug. 3, 2011.
Phoenix Controls—Zone Presence Sensor (ZPS), 1 page, sold prior to Aug. 2, 2010.

<http://www.webstore.com/PHOENIX-CONTROLS-ZPS220-ZONE-PRESENCE-SENSOR...>, Webstore Item #7746033, 3 pages, printed Aug. 3, 2011.
Phoenix Controls, "Zone Presence Sensor," 7 pages, 2005 revised Sep. 2010.
<http://www.google.com/>, "Presence Detector," 3 pages, printed Aug. 3, 2011.
<http://www.google.com/products/catalog?q=motion+sensor&hl=en&prmd=ivns&bav=on.2...>, "Securitron Magnalock XMS Exit Motion Sensor," 2 pages, printed Aug. 3, 2011.
<http://www.google.com/products/catalog?q=motion+sensor&hl=en&prmd=ivns&bav=on.2...>, "Heath Zenith SL-5716-WH Replacement Motion Sensor, White," 2 pages, printed Aug. 3, 2011.

* cited by examiner

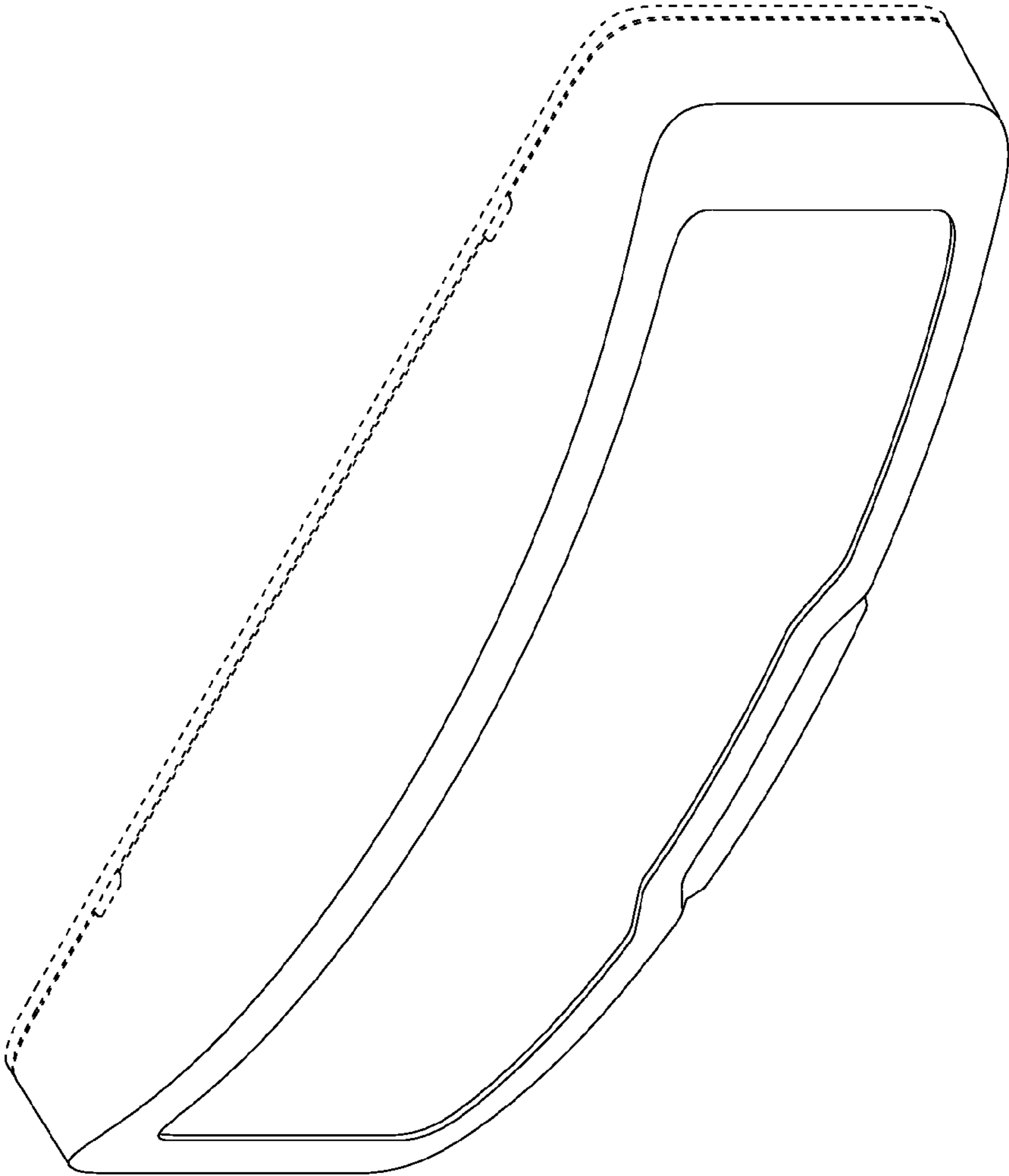


Figure 1

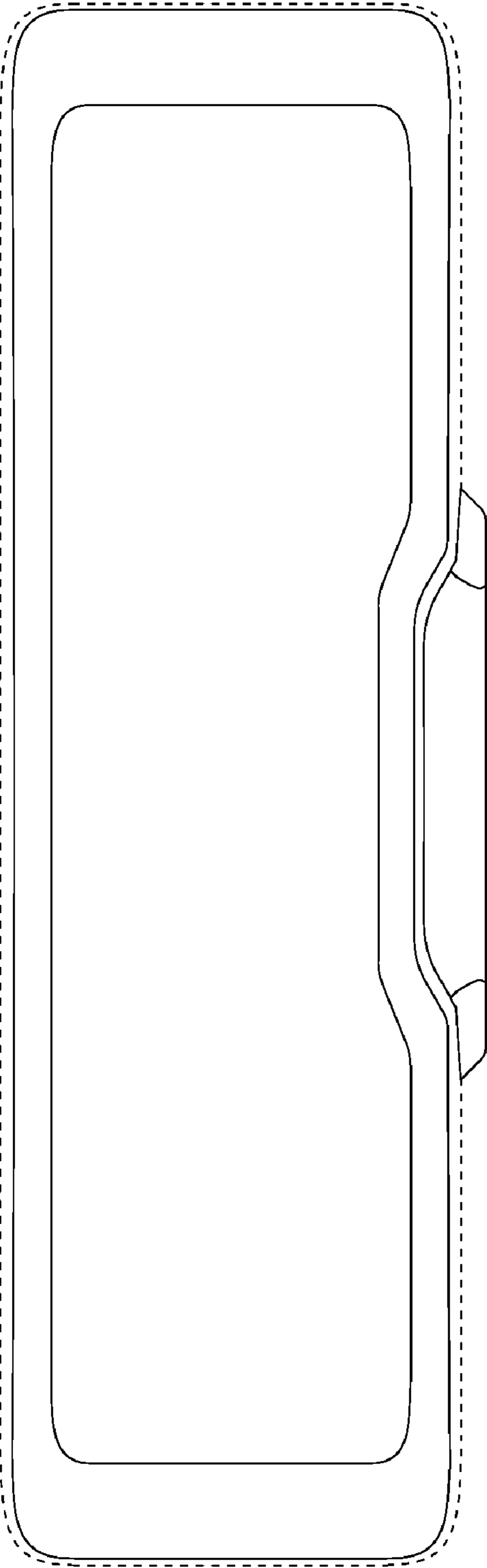


Figure 2

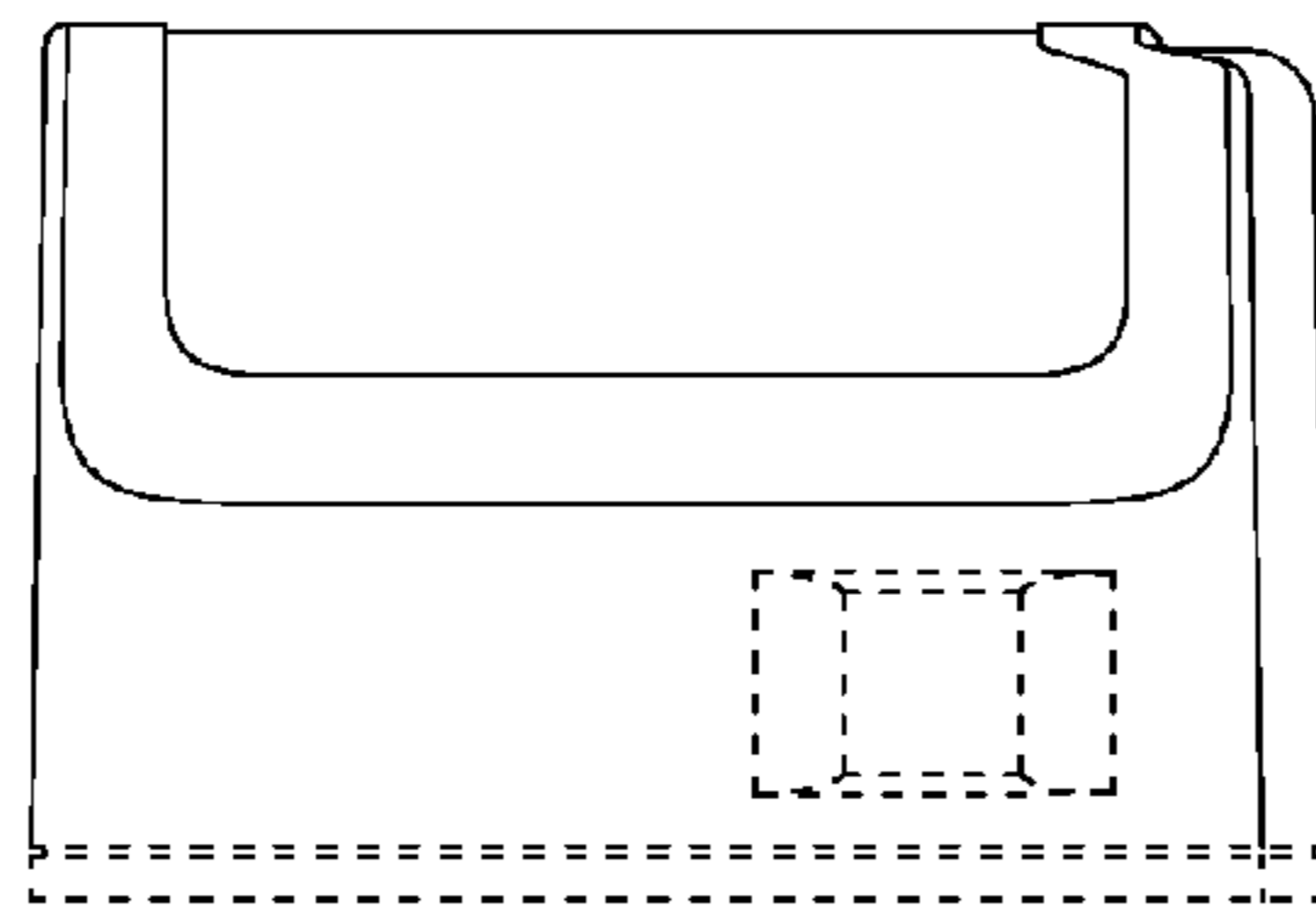


Figure 3

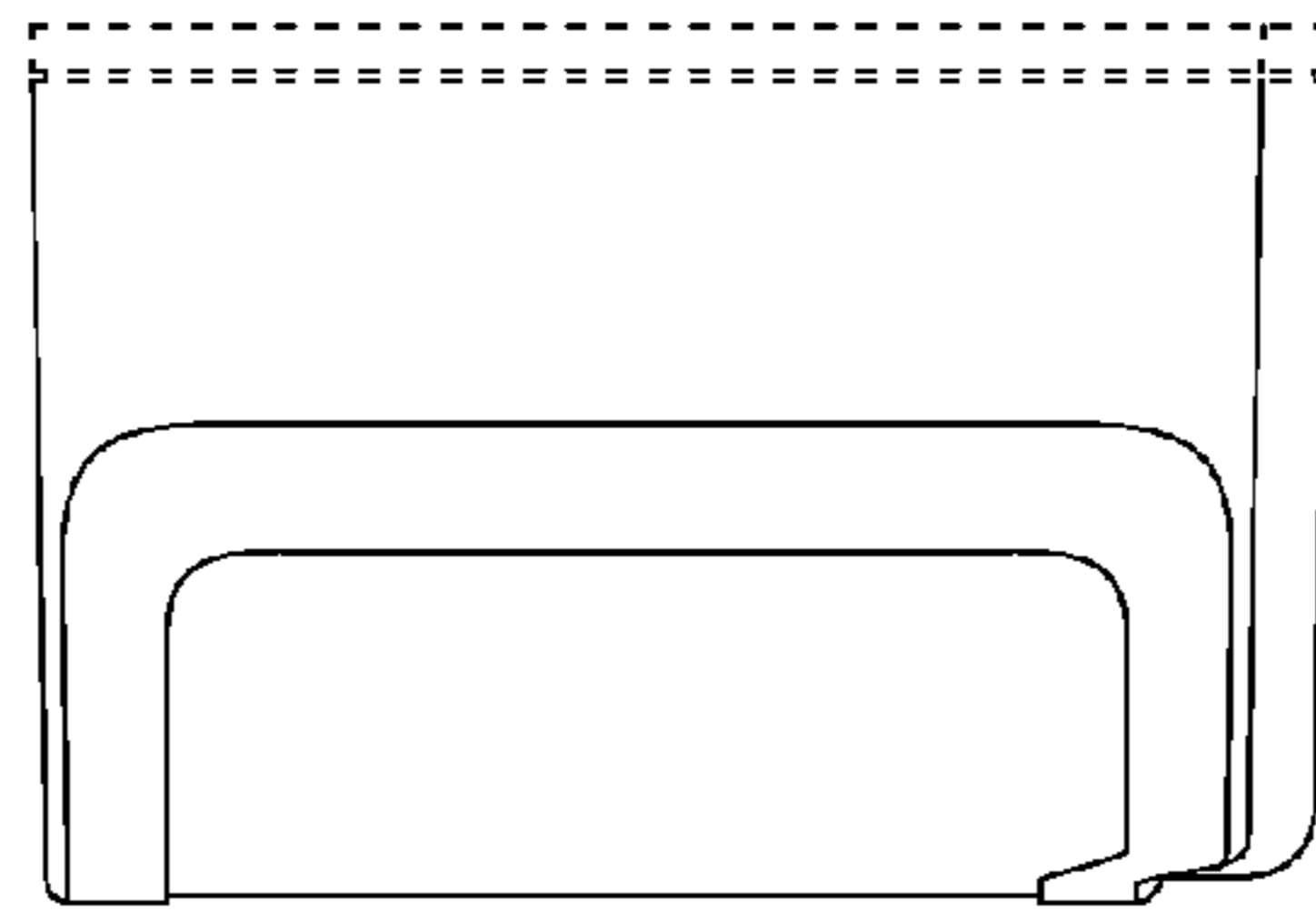


Figure 4

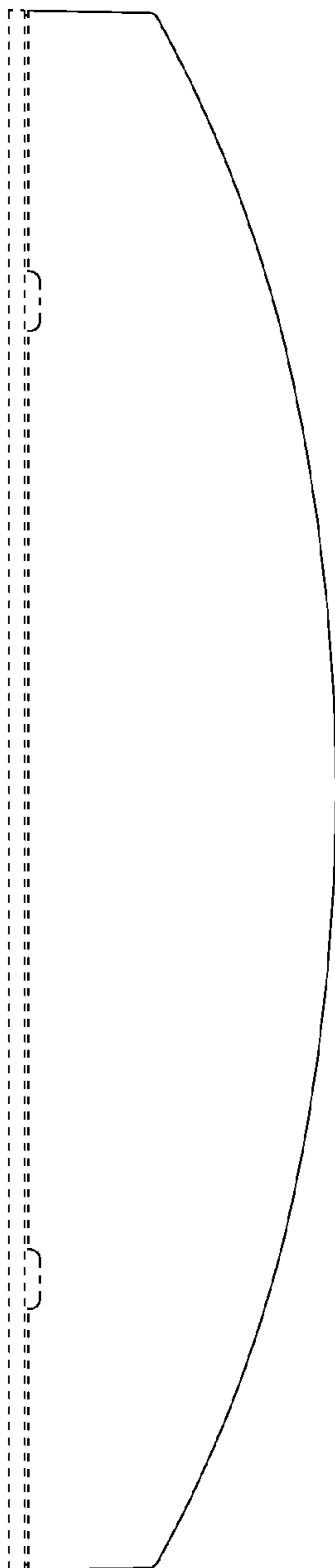


Figure 5

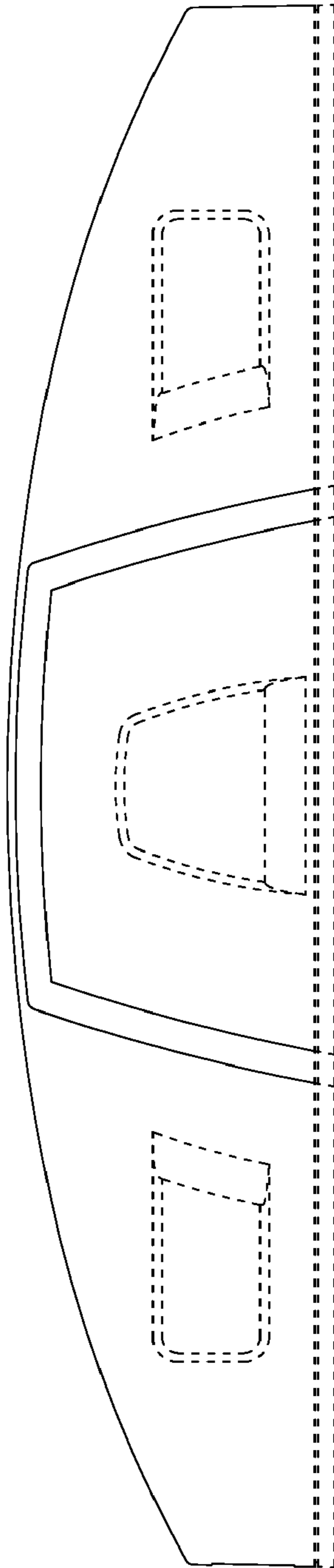


Figure 6