

US00D661211S

(12) **United States Design Patent**
Hou

(10) **Patent No.:** **US D661,211 S**
(45) **Date of Patent:** **** Jun. 5, 2012**

(54) **DEVICE FOR HUMAN FACE RECOGNITION**

(75) Inventor: **Hsiang-Fei Hou**, Tu-Cheng (TW)

(73) Assignee: **Cheng Uei Precision Industry Co., Ltd.**, Tu-Cheng, Taipei Hsien (TW)

(**) Term: **14 Years**

(21) Appl. No.: **29/362,792**

(22) Filed: **May 31, 2010**

(51) **LOC (9) Cl.** **10-05**

(52) **U.S. Cl.** **D10/104.1**

(58) **Field of Classification Search** D10/104.1,
D10/106.1, 118; D14/383, 384; 340/5.82;
382/116, 124, 126

See application file for complete search history.

(56) **References Cited**

U.S. PATENT DOCUMENTS

| | | | | | | |
|----------|---|---|---------|----------------|-------|-----------|
| D399,155 | S | * | 10/1998 | Roberts | | D10/106.6 |
| D438,131 | S | * | 2/2001 | Kim et al. | | D10/104.1 |
| D438,809 | S | * | 3/2001 | Kim et al. | | D10/104.1 |
| D459,670 | S | * | 7/2002 | Bergstrom | | D10/104.1 |
| D463,304 | S | * | 9/2002 | Berrios et al. | | D10/104.1 |
| D466,089 | S | * | 11/2002 | Suen | | D13/162 |
| D480,725 | S | * | 10/2003 | Funato | | D14/383 |

| | | | | | | |
|--------------|----|---|---------|------------------|-------|-----------|
| D511,113 | S | * | 11/2005 | Feldman et al. | | D10/104.1 |
| D516,068 | S | * | 2/2006 | Walter | | D14/383 |
| D516,069 | S | * | 2/2006 | Kuroda et al. | | D14/384 |
| D542,291 | S | * | 5/2007 | Kang et al. | | D14/384 |
| D610,031 | S | * | 2/2010 | Beland et al. | | D10/118 |
| D620,380 | S | * | 7/2010 | Hwang | | D10/104.1 |
| 2005/0206501 | A1 | * | 9/2005 | Farhat | | 340/5.82 |
| 2008/0314985 | A1 | * | 12/2008 | Kotlarsky et al. | | 235/462.2 |

* cited by examiner

Primary Examiner — George D Kirschbaum

(74) *Attorney, Agent, or Firm* — Cheng-Ju Chiang

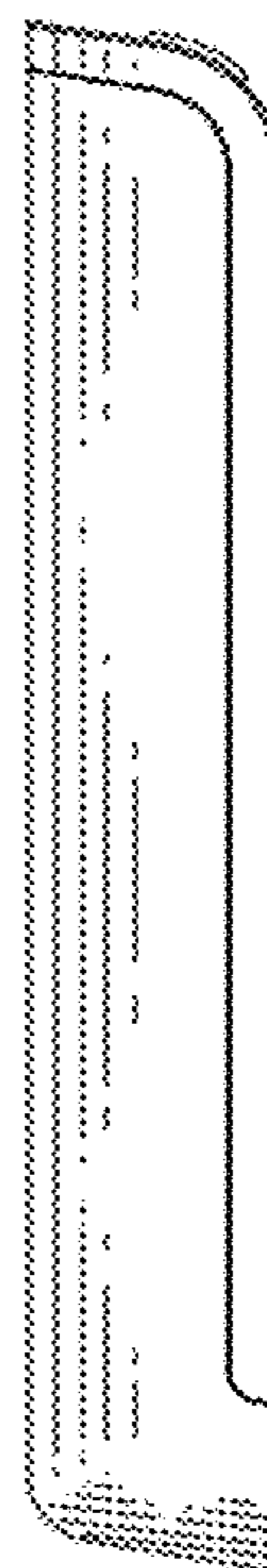
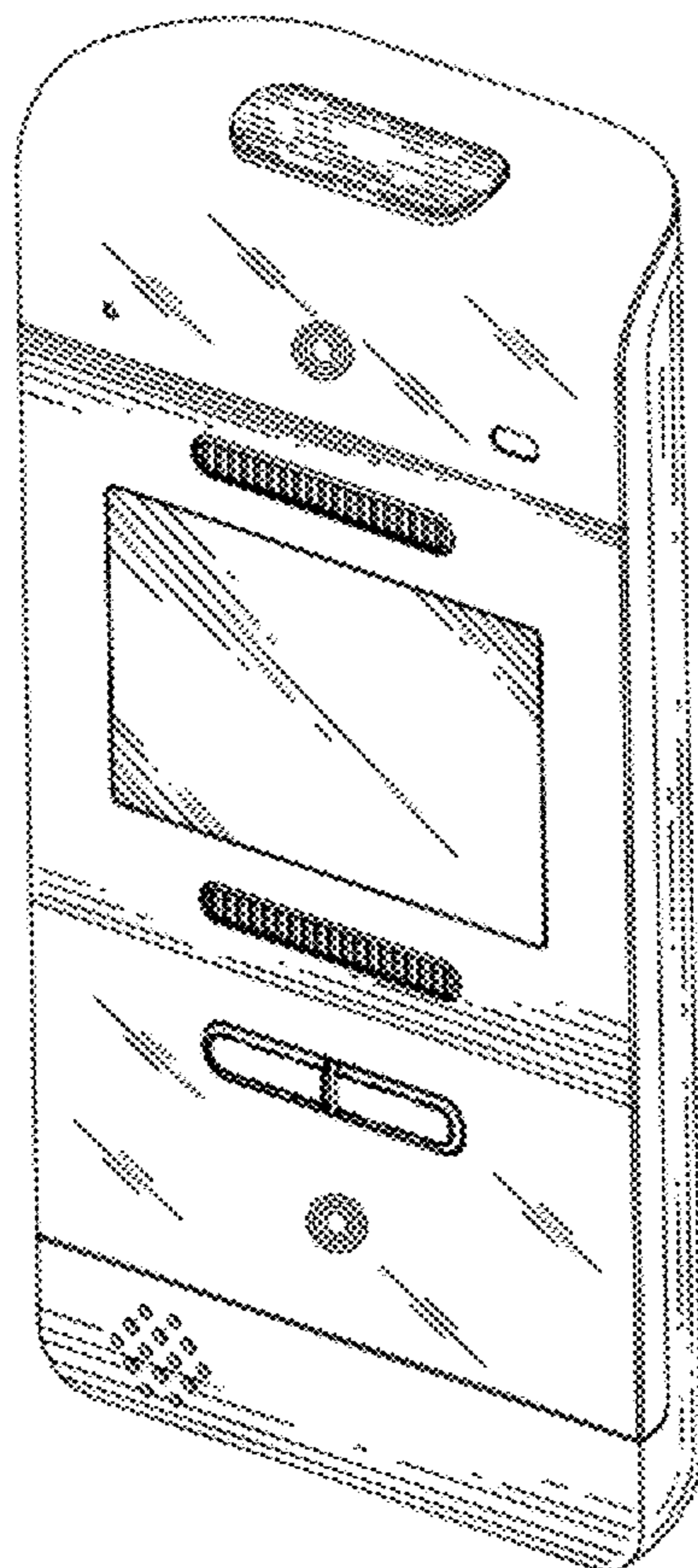
(57) **CLAIM**

The ornamental design for a device for human face recognition, as shown and described.

DESCRIPTION

FIG. 1 is a perspective view of a device for human face recognition showing my new design; FIG. 2 is a front elevational view thereof; FIG. 3 is a rear elevational view thereof; FIG. 4 is a left side elevational view thereof; FIG. 5 is a right side elevational view thereof; FIG. 6 is a top plan view thereof; and, FIG. 7 is a bottom plan view thereof.

1 Claim, 7 Drawing Sheets



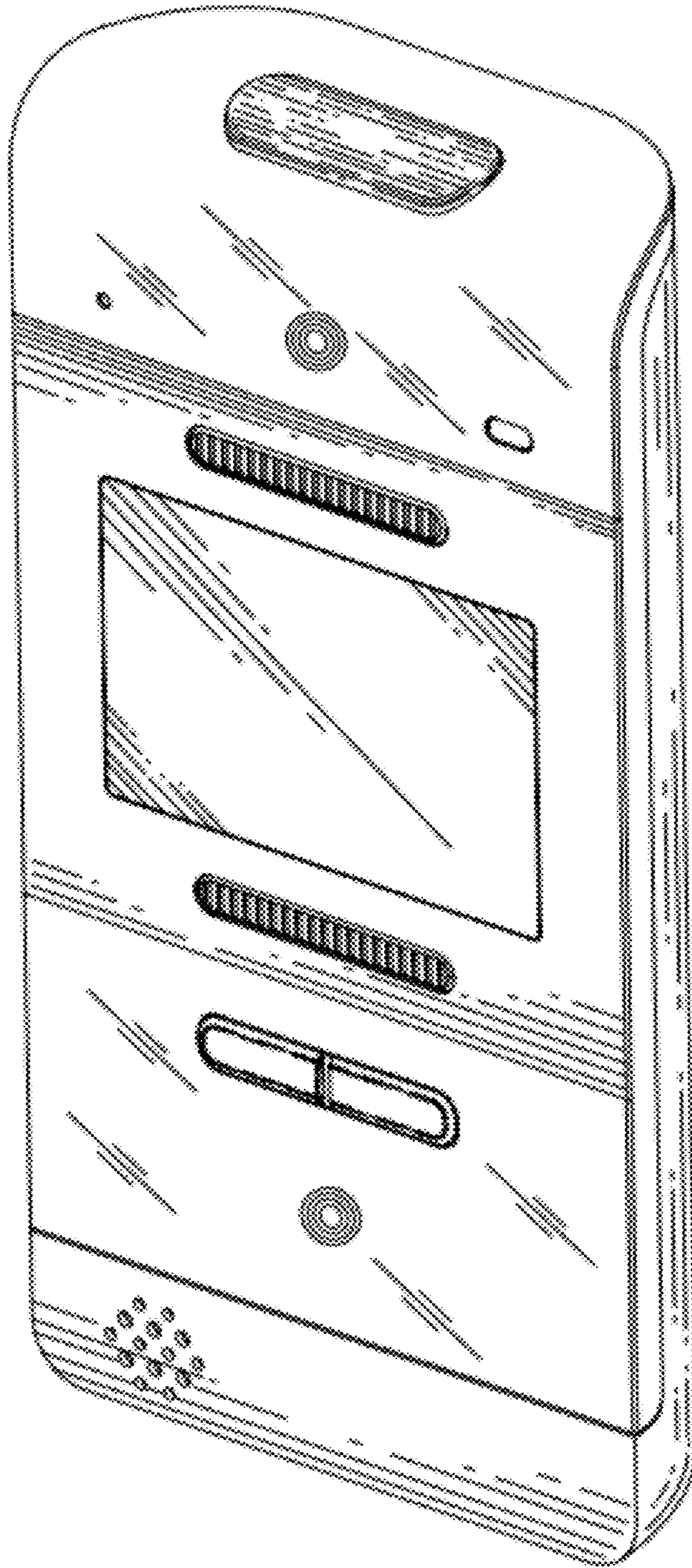


FIG. 1

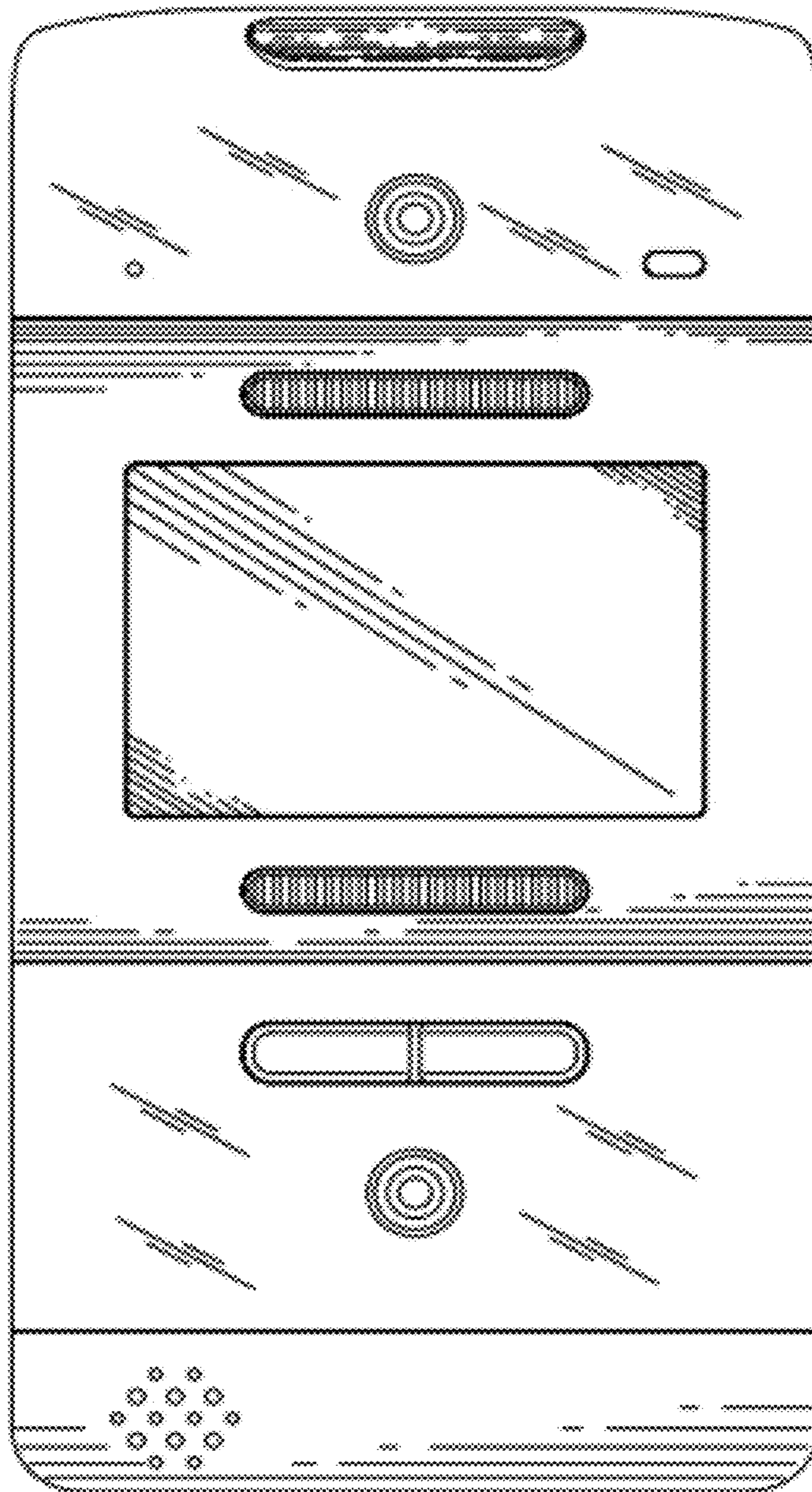


FIG. 2

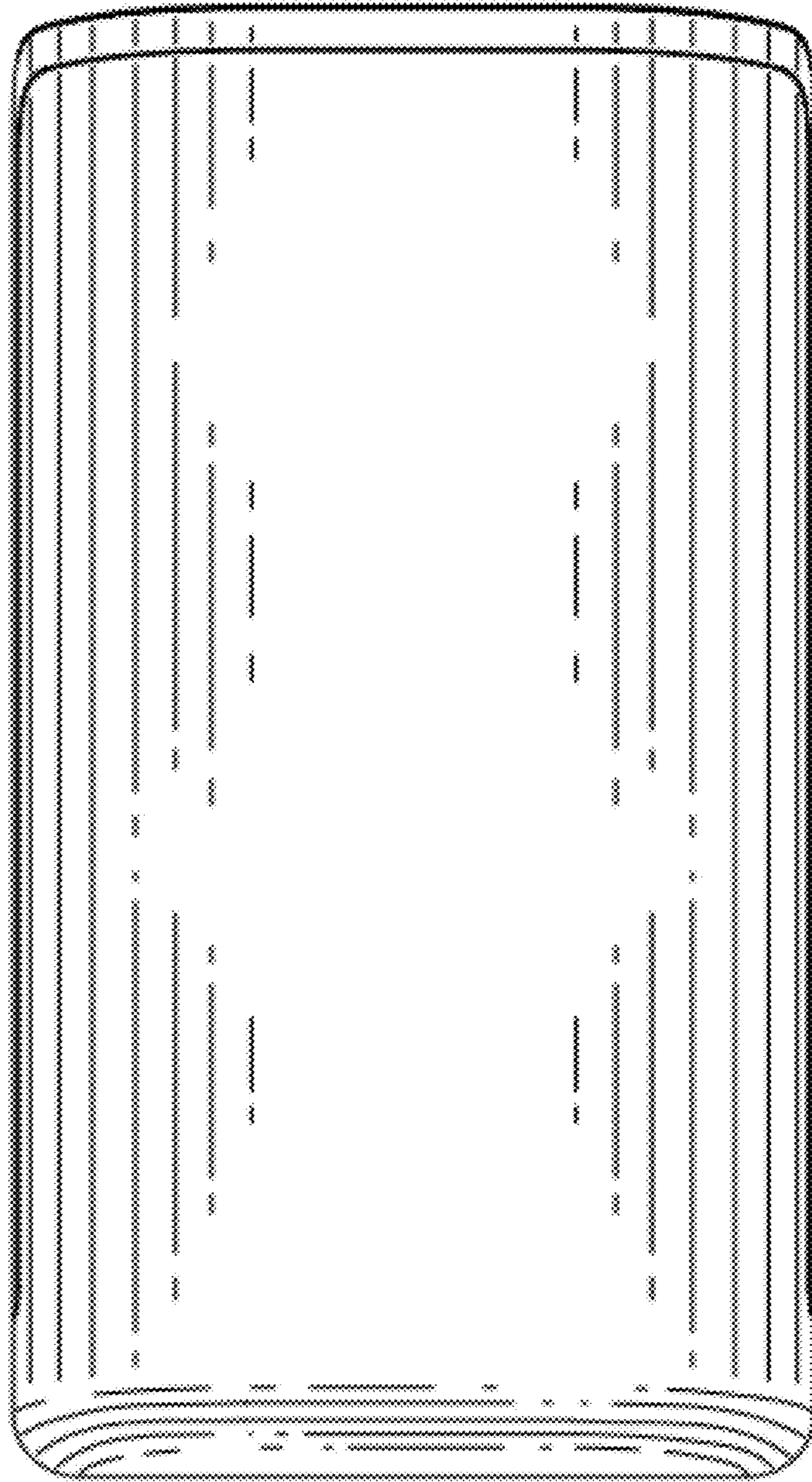


FIG. 3

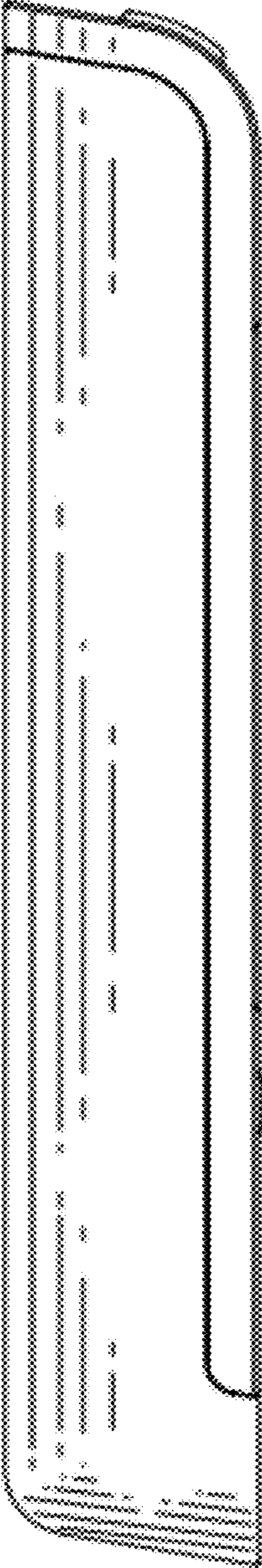


FIG. 4

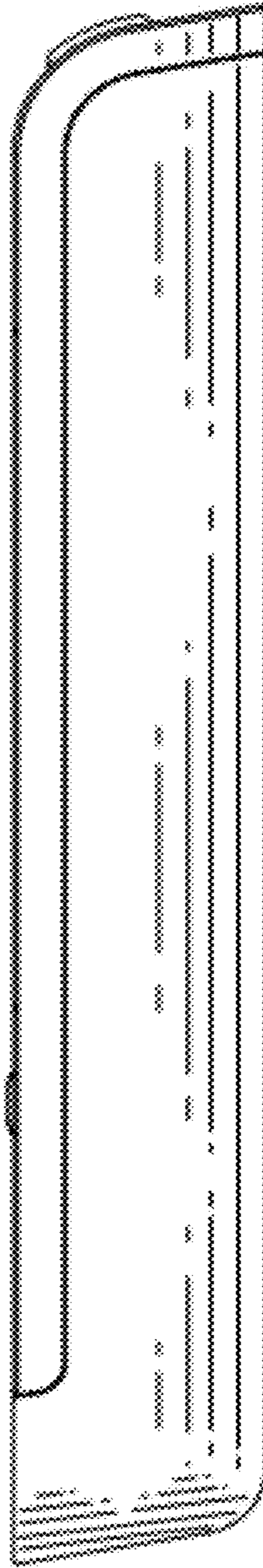


FIG. 5

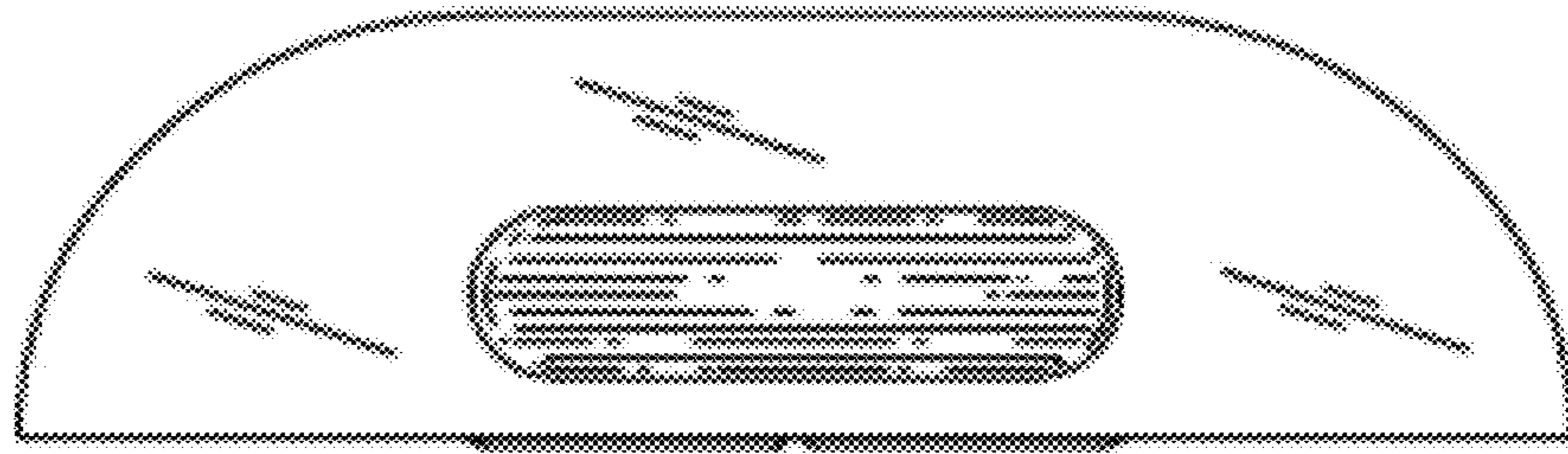


FIG. 6



FIG. 7