



US00D661209S

(12) **United States Design Patent**
Janky et al.

(10) **Patent No.:** **US D661,209 S**
(45) **Date of Patent:** **** Jun. 5, 2012**

(54) **PHONE TEST SET**

(75) Inventors: **Sena E. R. Janky**, Sammamish, WA
(US); **Roger L. Howell**, Seattle, WA
(US)

(73) Assignee: **Fluke Corporation**, Everett, WA (US)

(**) Term: **14 Years**

(21) Appl. No.: **29/362,522**

(22) Filed: **May 26, 2010**

(51) **LOC (9) Cl.** **10-04**

(52) **U.S. Cl.** **D10/78; D14/147**

(58) **Field of Classification Search** D10/78;
D14/137, 138, 140, 142, 147, 148, 240, 248;
379/21-33, 419, 428, 429, 433, 434, 440,
379/143, 144.1, 144.08, 154, 155; 455/90
See application file for complete search history.

(56) **References Cited**

U.S. PATENT DOCUMENTS

D314,926	S	*	2/1991	Sohay	D10/78
D316,824	S	*	5/1991	Sohay et al.	D10/78
5,025,466	A	*	6/1991	Hilligoss et al.	379/21
5,157,708	A	*	10/1992	Garthwaite et al.	379/21
5,228,072	A	*	7/1993	Ingalsbe et al.	379/21

D352,912	S	*	11/1994	Crick	D10/78
5,511,108	A	*	4/1996	Severt et al.	379/21
5,619,489	A	*	4/1997	Chang et al.	379/21
D418,132	S	*	12/1999	Zoiss et al.	D10/78
D430,129	S	*	8/2000	Sillers	D10/78
6,252,942	B1	*	6/2001	Zoiss et al.	379/21
D600,669	S	*	9/2009	Lewis	D14/142
2006/0023845	A1	*	2/2006	Brumble	379/21

* cited by examiner

Primary Examiner — Antoine D Davis

(74) *Attorney, Agent, or Firm* — patenttm.us

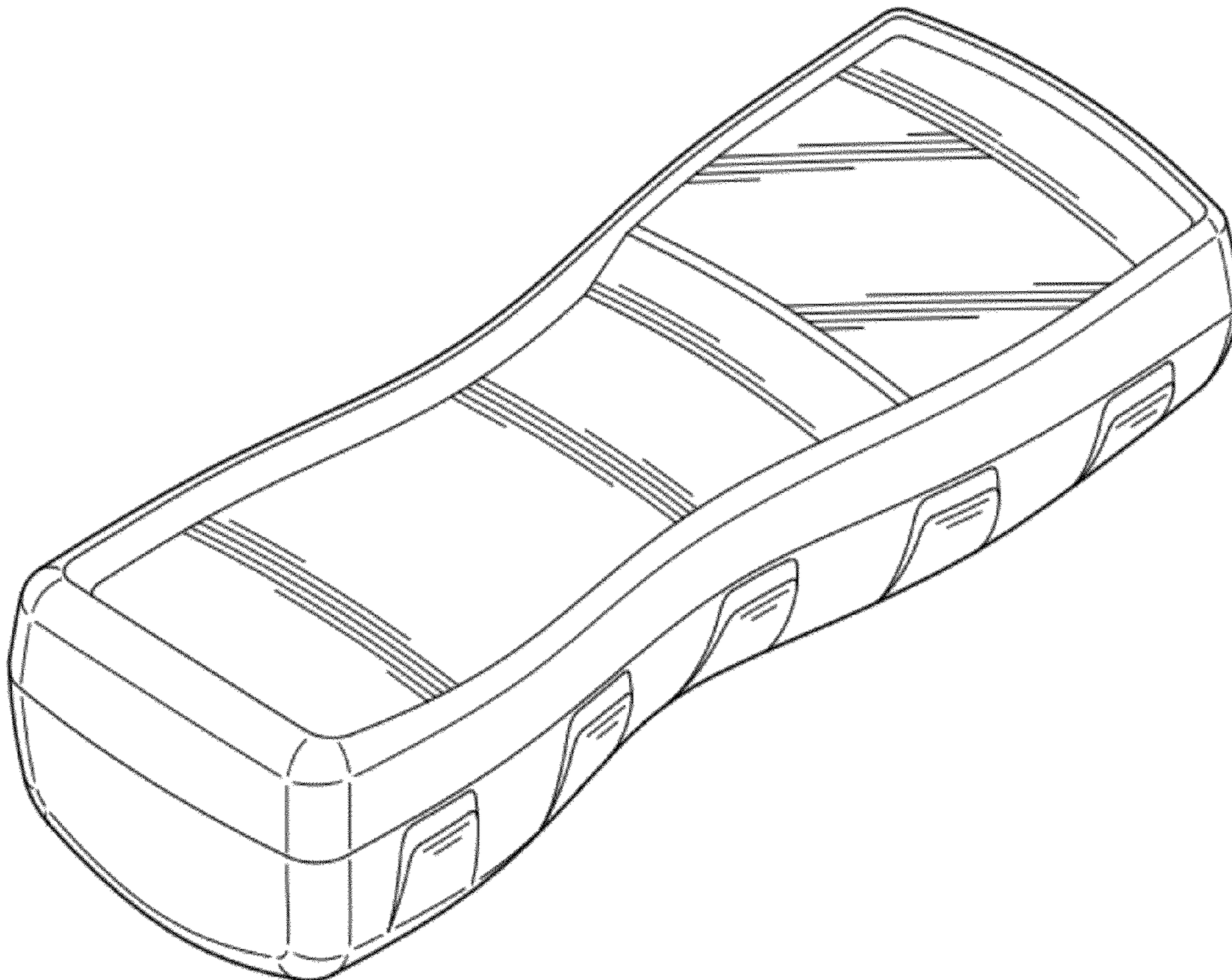
(57) **CLAIM**

We claim the ornamental design for a phone test set, as shown and described.

DESCRIPTION

FIG. 1 is a front perspective view of the design for a phone test set;
FIG. 2 is a front view of the design of FIG. 1;
FIG. 3 is a left side view of the design of FIG. 1, the right side view being a mirror image thereof;
FIG. 4 is a rear view of the design of FIG. 1;
FIG. 5 is a bottom end view of the design of FIG. 1;
FIG. 6 is a top end view of the design of FIG. 1; and,
FIG. 7 is a rear perspective view of the design of FIG. 1.

1 Claim, 4 Drawing Sheets



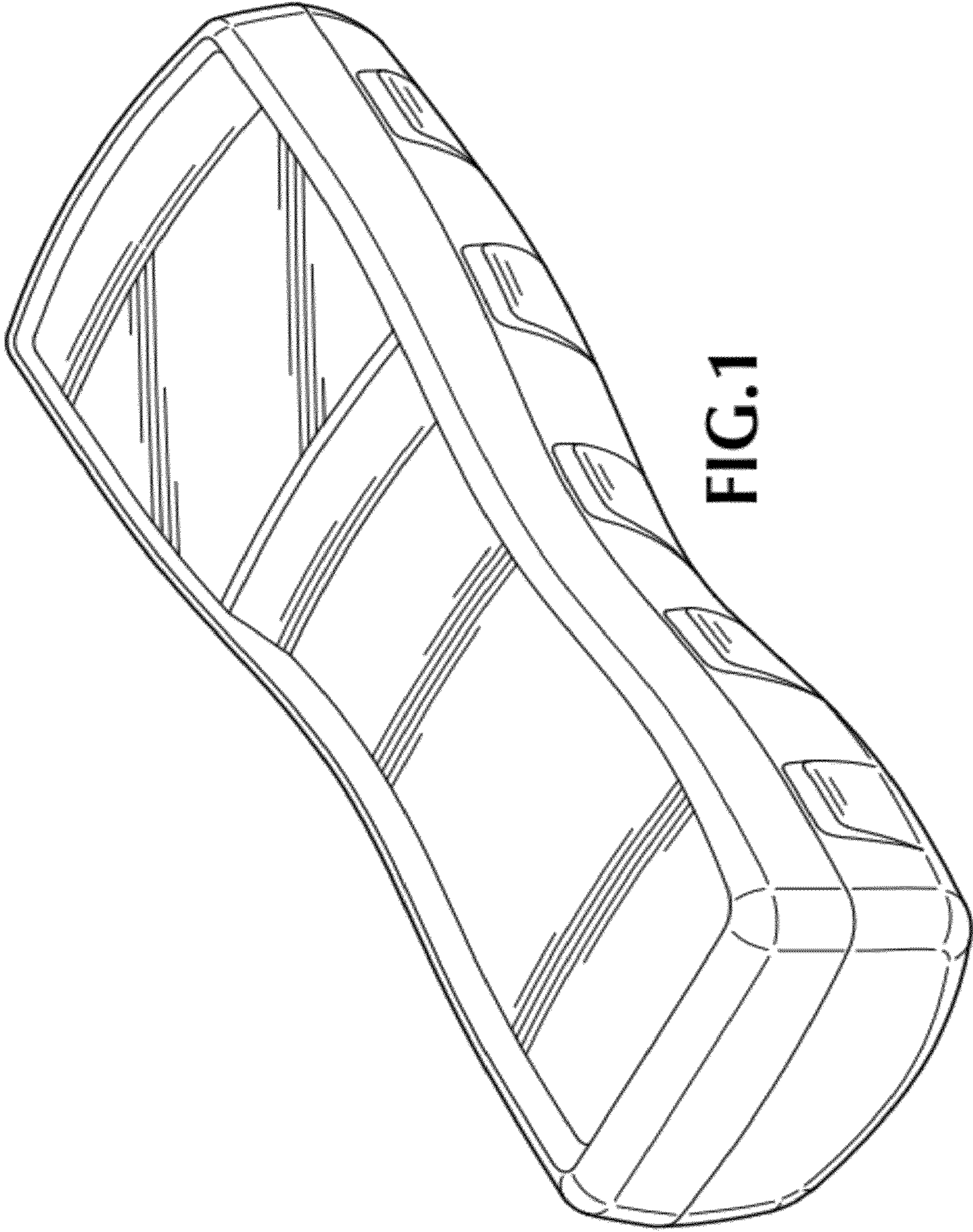


FIG.1

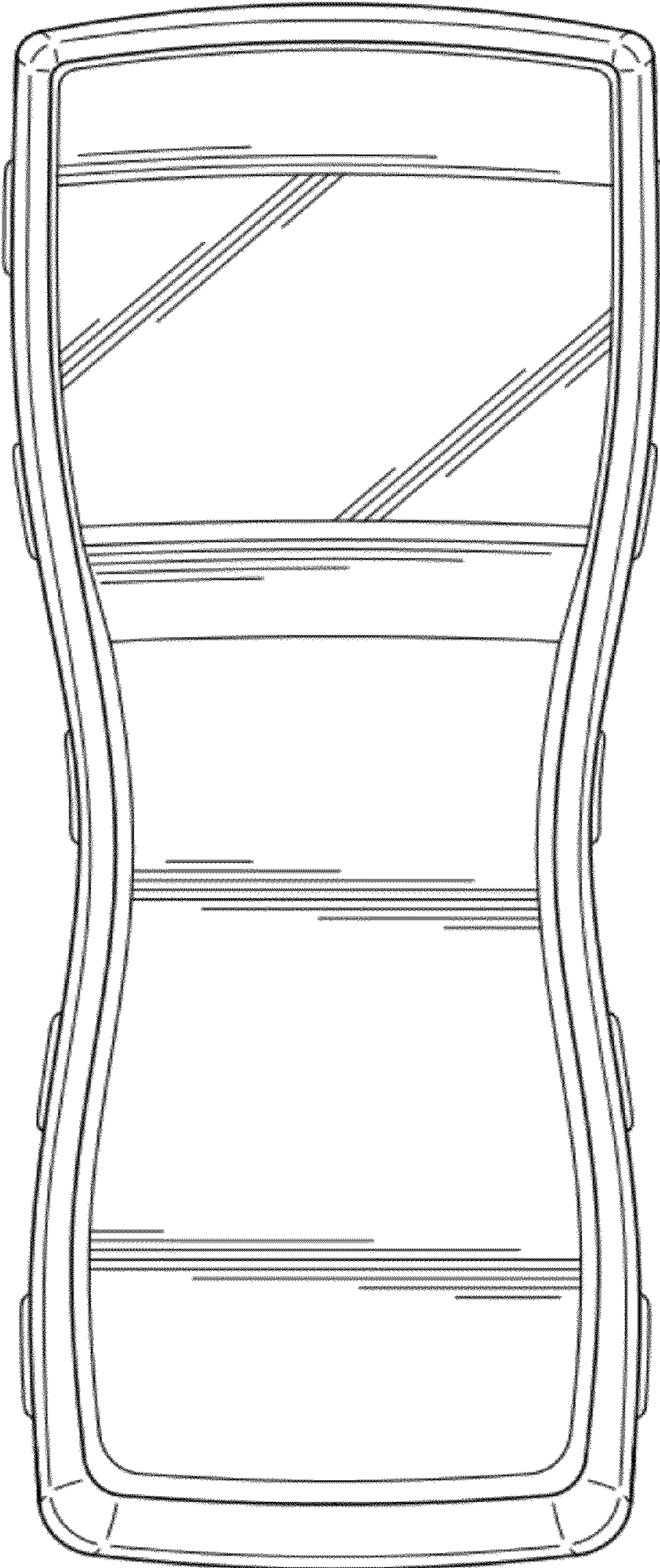


FIG. 2

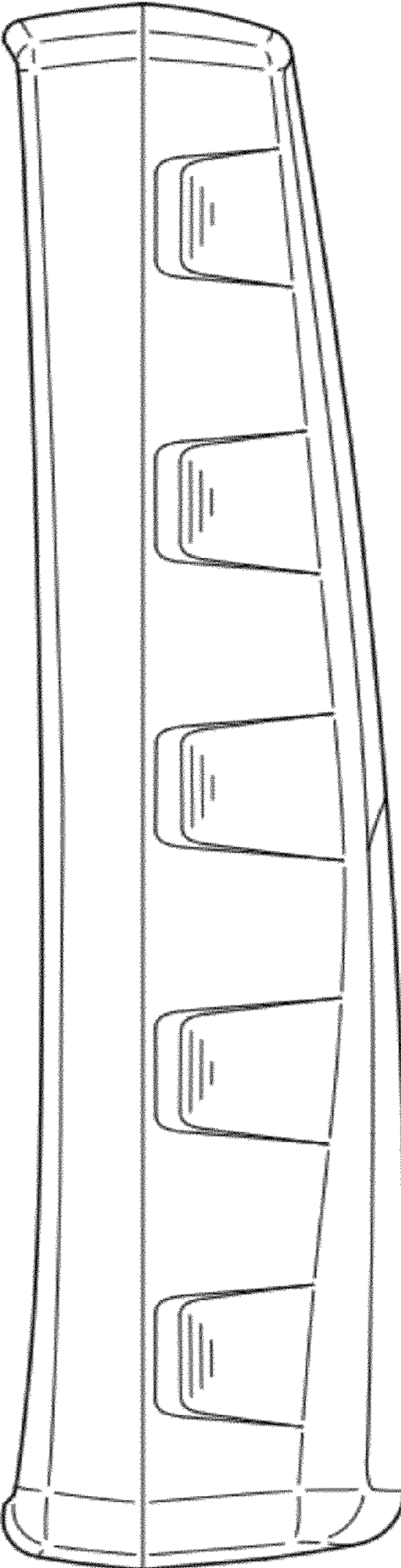


FIG. 3

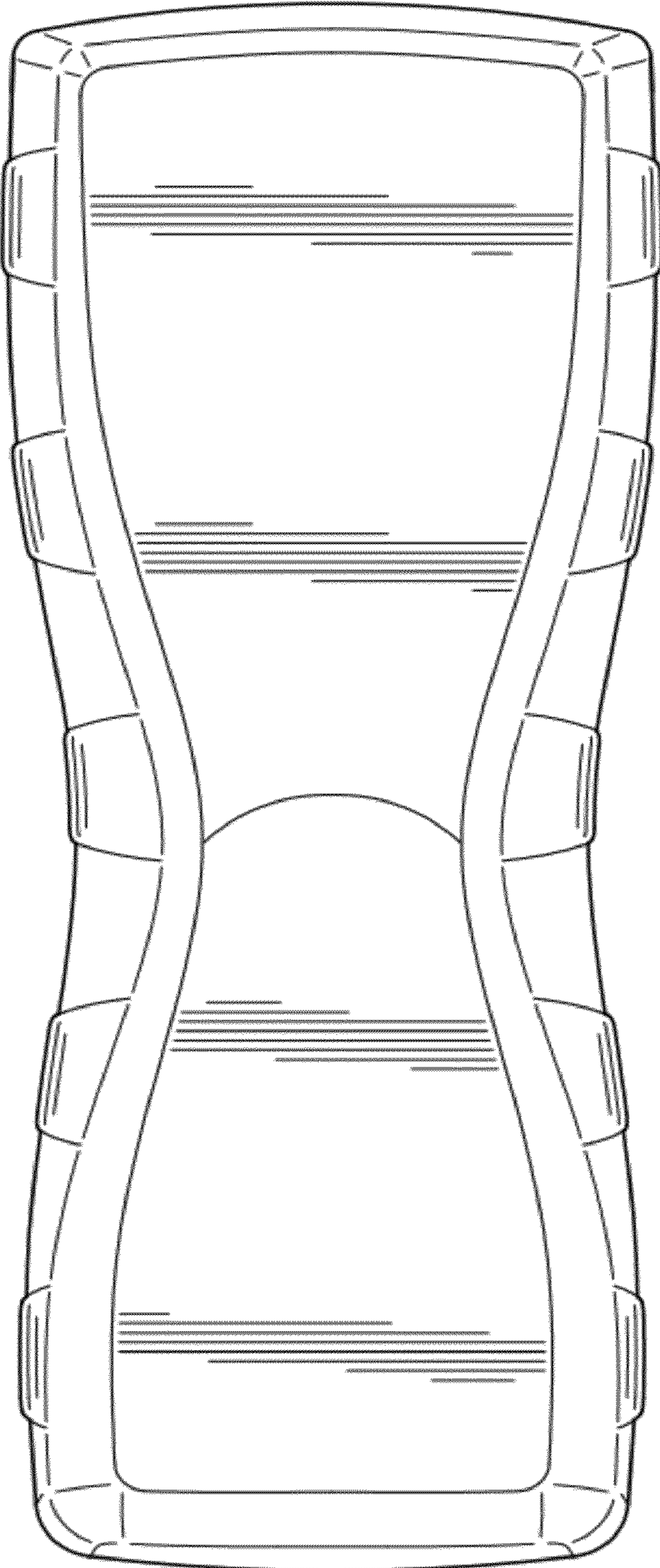


FIG.4

