



US00D661200S

(12) **United States Design Patent**
Subler

(10) **Patent No.:** **US D661,200 S**
(45) **Date of Patent:** **** Jun. 5, 2012**

(54) **PACKAGING CONTAINER HAVING SURFACE ORNAMENTATION**

(75) Inventor: **Andrea Marie Subler**, West Chester, OH (US)

(73) Assignee: **The Procter and Gamble Company**, Cincinnati, OH (US)

(**) Term: **14 Years**

(21) Appl. No.: **29/375,523**

(22) Filed: **Sep. 23, 2010**

(51) **LOC (9) Cl.** **09-01**

(52) **U.S. Cl.** **D9/667; D9/434**

(58) **Field of Classification Search** D9/600, D9/667, 414, 430-434, 457; D3/270, 271.1; 206/457, 527; 220/890

See application file for complete search history.

(56) **References Cited**

U.S. PATENT DOCUMENTS

D53,499 S *	7/1919	Hanson	D9/432
D87,781 S *	9/1932	Hauck	D9/432
D90,803 S *	10/1933	Cummings	D9/433
D112,971 S *	1/1939	Walters	D9/643
D419,443 S *	1/2000	Yonehara et al.	D9/432
D581,263 S *	11/2008	Suyama et al.	D9/600
D611,808 S *	3/2010	Criss et al.	D9/434
D626,834 S *	11/2010	Zutler et al.	D9/432

* cited by examiner

Primary Examiner — Sandra Morris

(74) *Attorney, Agent, or Firm* — Amanda T. Barry; Kelly L. McDow

(57) **CLAIM**
The ornamental design for a packaging container having surface ornamentation, as shown and described.

DESCRIPTION

The present application file contains at least one drawing executed in color. Copies of this patent or patent application publication with color drawing(s) will be provided by the Office upon request and payment of the necessary fee.

FIG. 1 is a perspective view of packaging container having surface ornamentation embodying our new design;

FIG. 2 is a front view thereof;

FIG. 3 is a rear view thereof;

FIG. 4 is right side view thereof;

FIG. 5 is a left side view thereof;

FIG. 6 is a top view thereof;

FIG. 7 is a bottom view thereof;

FIG. 8 is a perspective view of a second embodiment of packaging container having surface ornamentation embodying our new design;

FIG. 9 is a front view thereof;

FIG. 10 is a rear view thereof;

FIG. 11 is a right side view thereof;

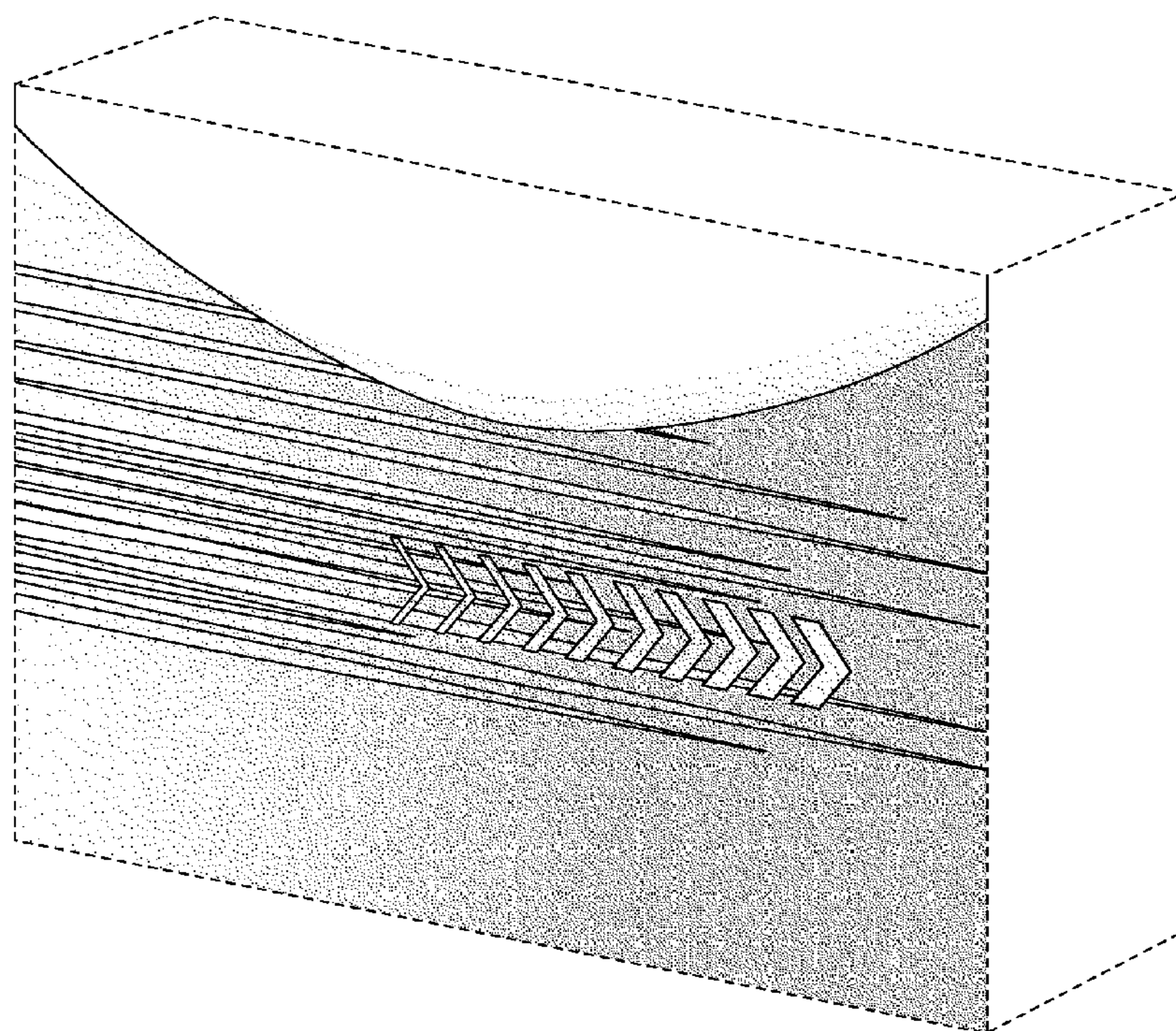
FIG. 12 is a left side view thereof;

FIG. 13 is a top view thereof; and,

FIG. 14 is a bottom view thereof.

Broken lines are included herein for illustrative purposes only and form no part of the claimed design.

1 Claim, 4 Drawing Sheets
(1 of 4 Drawing Sheet(s) Filed in Color)



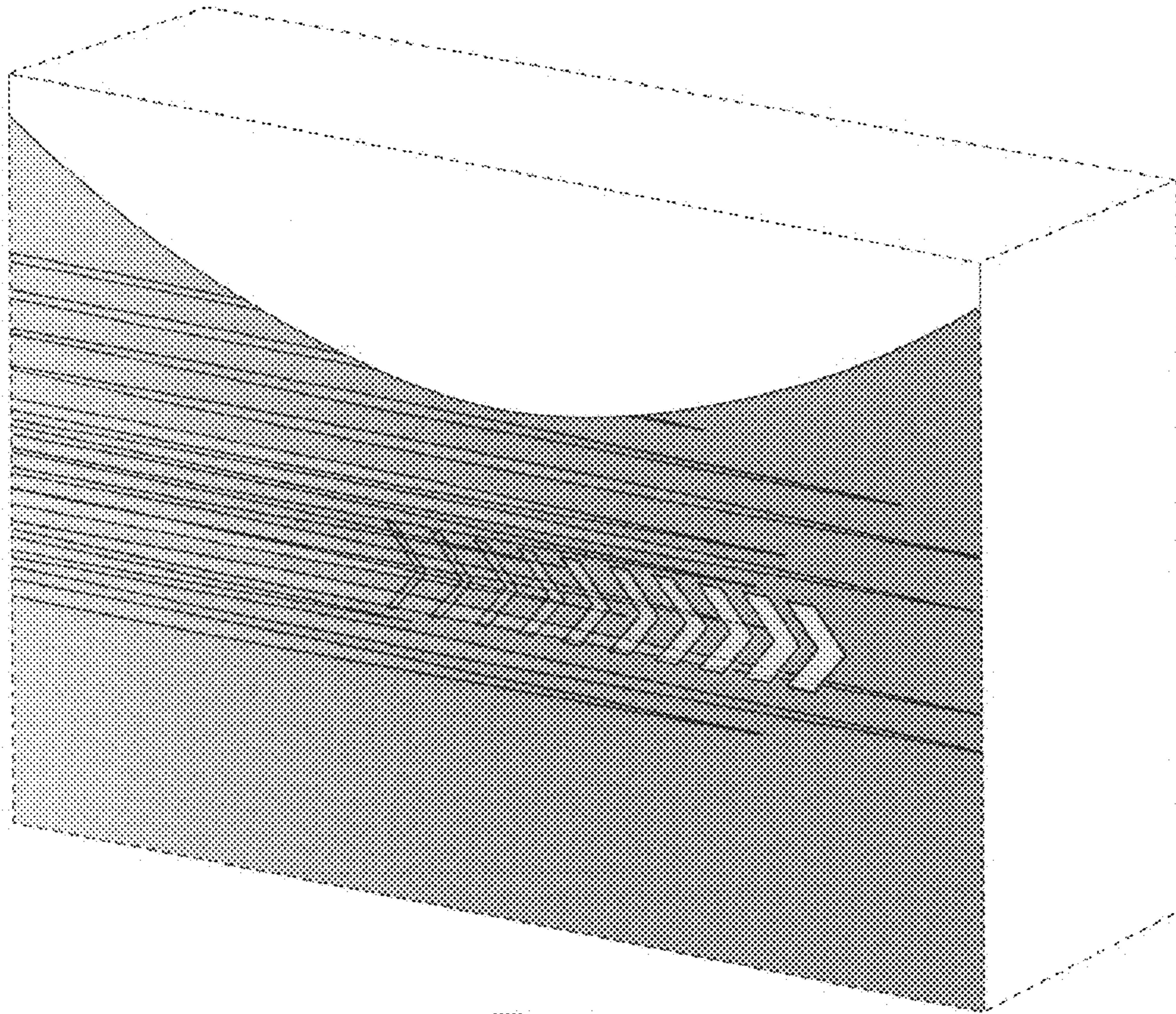


Fig. 1

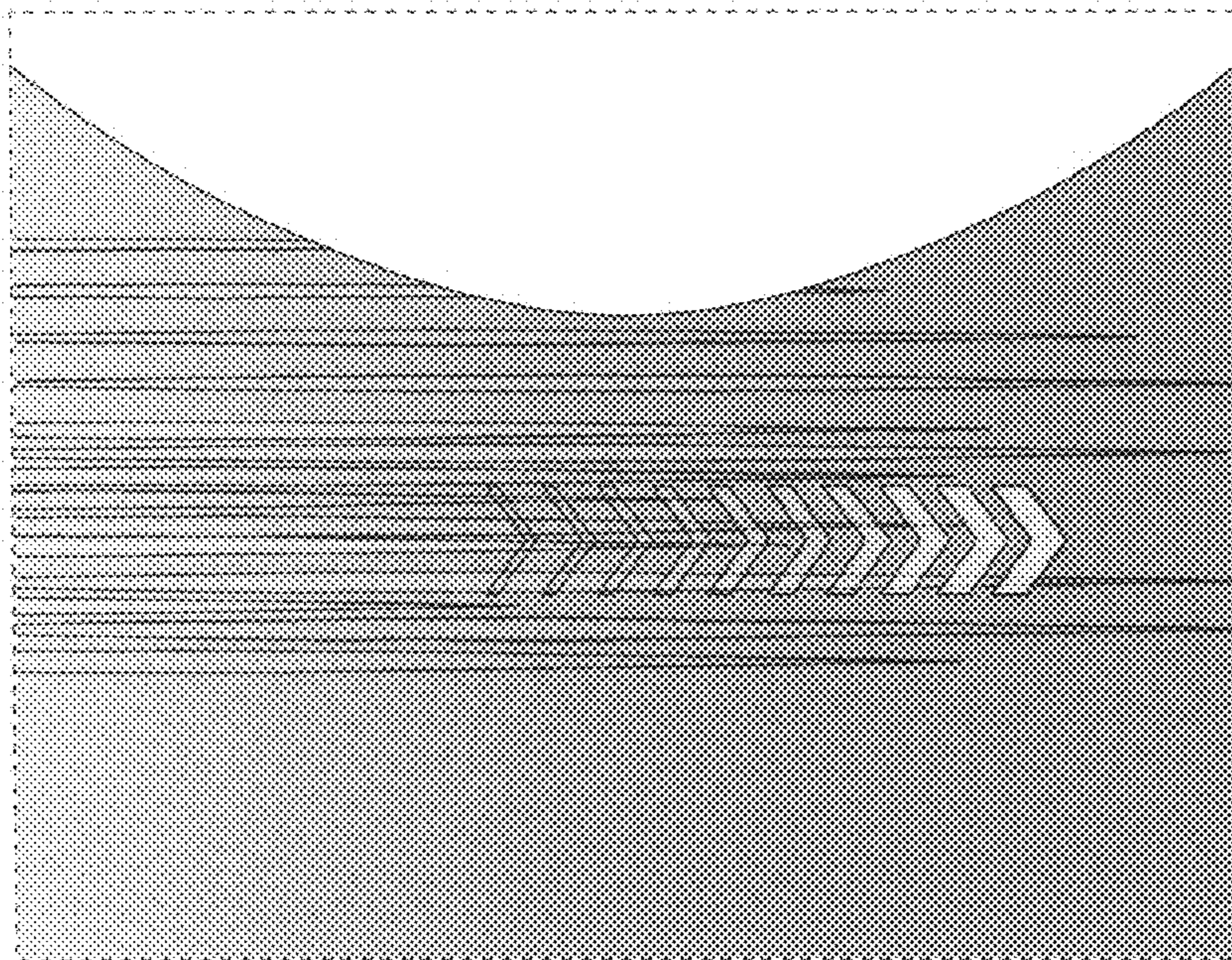


Fig. 2



Fig. 3

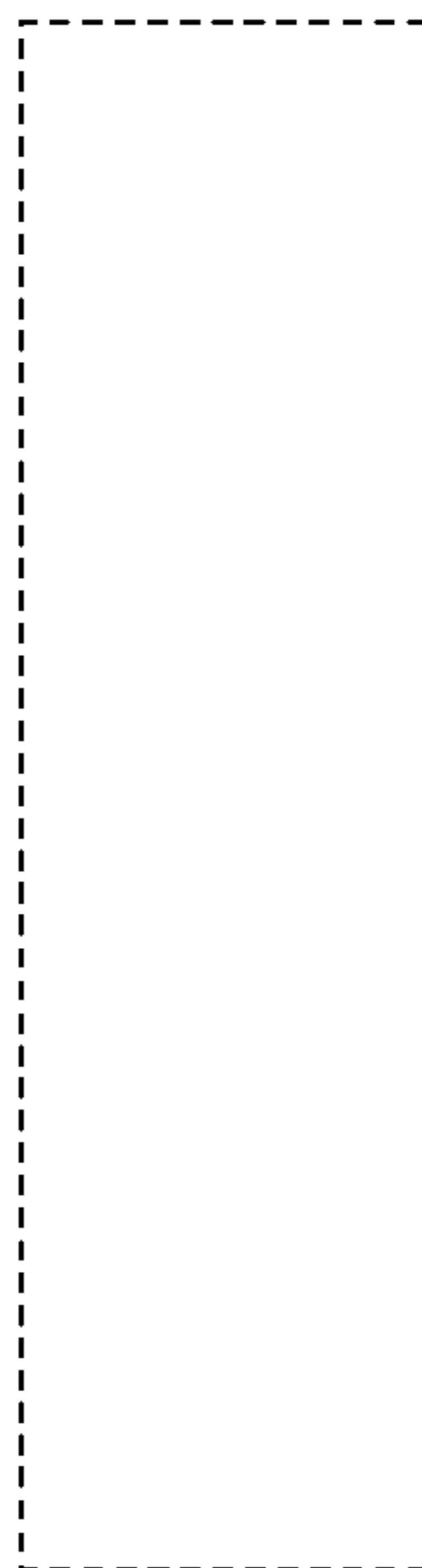


Fig. 4



Fig. 5



Fig. 6



Fig. 7

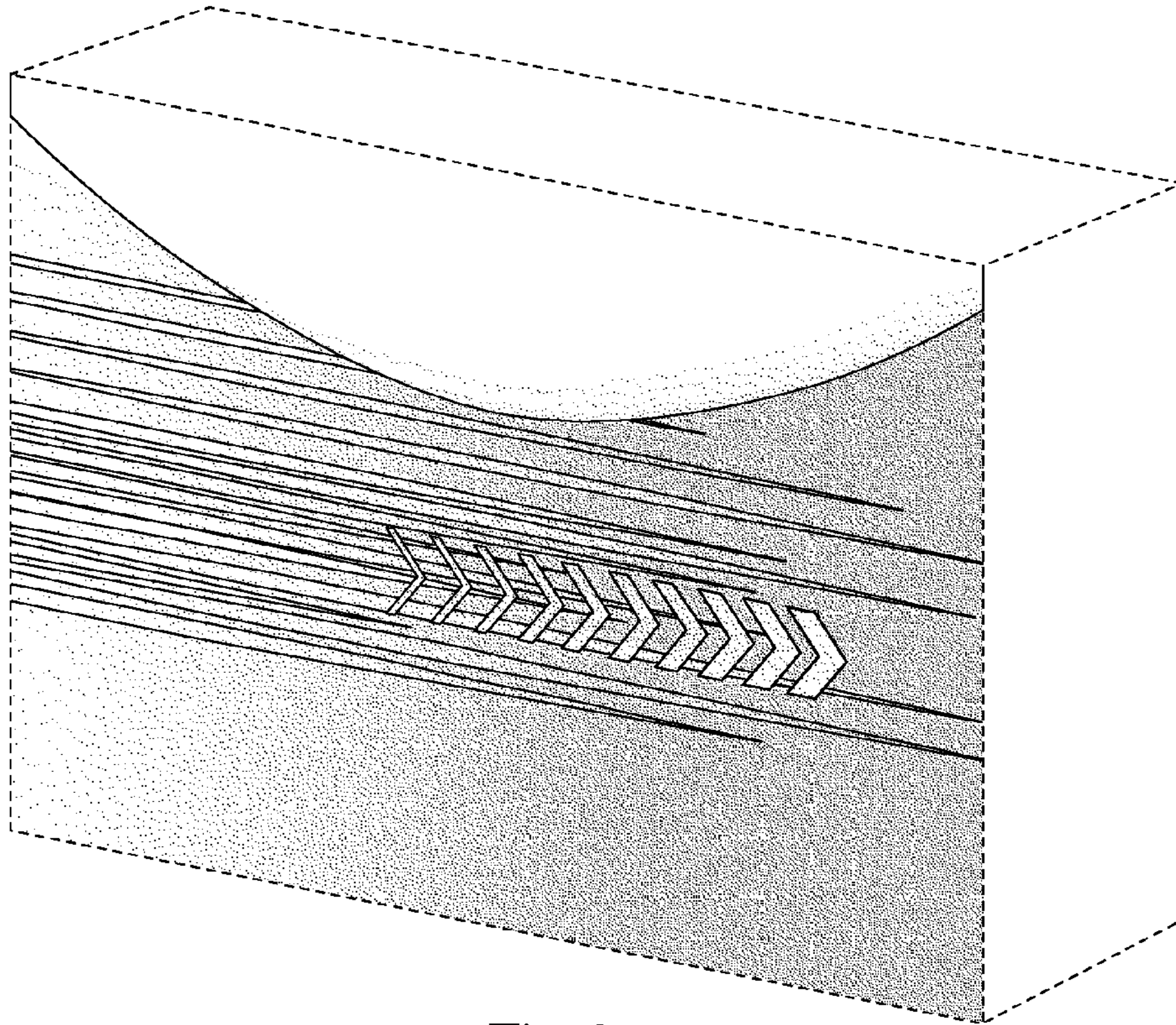


Fig. 8

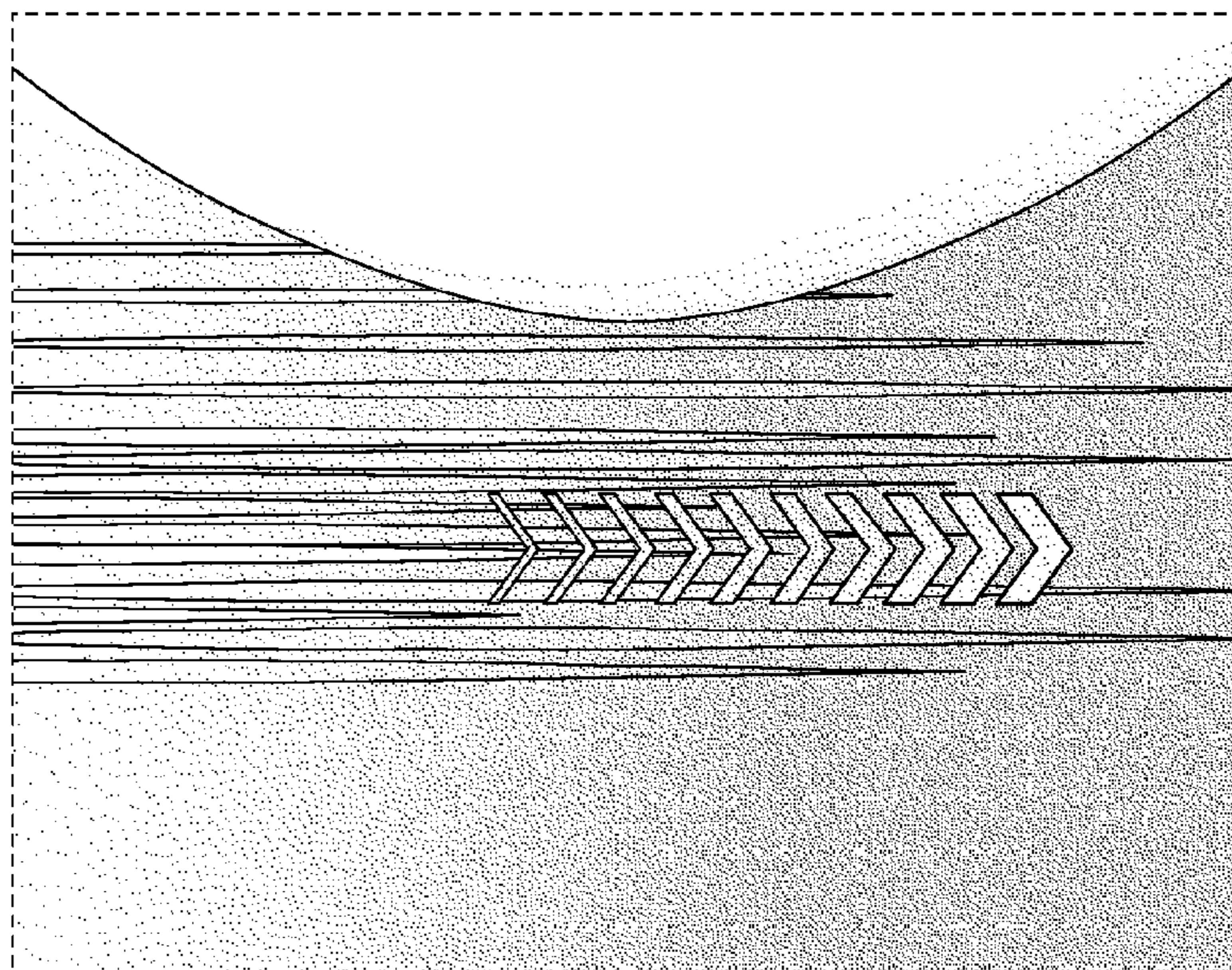


Fig. 9



Fig. 10



Fig. 11



Fig. 12



Fig. 13



Fig. 14