



US00D661195S

(12) **United States Design Patent**  
**Chatterjee et al.**

(10) **Patent No.:** **US D661,195 S**  
(45) **Date of Patent:** **\*\* Jun. 5, 2012**

(54) **BOTTLE**

(75) Inventors: **Jaideep Chatterjee**, Bangalore (IN);  
**Shyamsunder Balakrishna Karekar**,  
Karnataka (IN)

(73) Assignee: **Conopco, Inc.**, Englewood Cliffs, NJ  
(US)

(\*\*) Term: **14 Years**

(21) Appl. No.: **29/390,186**

(22) Filed: **Apr. 21, 2011**

(30) **Foreign Application Priority Data**

Oct. 29, 2010 (EM) ..... 001774795-0001

(51) **LOC (9) Cl.** ..... **09-01**

(52) **U.S. Cl.** ..... **D9/522; D9/516**

(58) **Field of Classification Search** ..... D13/102–106,  
D13/110, 118–119, 184, 199; 429/96–100,  
429/163, 176; D9/516, 522, 530, 531, 535,  
D9/546, 559, 562, 571, 575; D3/202; 220/660,  
220/669, 675

See application file for complete search history.

(56) **References Cited**

**U.S. PATENT DOCUMENTS**

D190,888 S \* 7/1961 Arens ..... D9/575  
5,174,469 A \* 12/1992 Policapelli ..... 220/710  
D361,538 S \* 8/1995 Hill et al. .... D13/110  
D392,940 S \* 3/1998 Shen ..... D13/110  
D450,592 S \* 11/2001 Guseo ..... D9/522  
D481,007 S \* 10/2003 Takahashi ..... D13/103  
D497,311 S \* 10/2004 Walsh et al. .... D9/522  
D505,080 S \* 5/2005 Cagle ..... D9/571  
D517,982 S \* 3/2006 Rad et al. .... D13/103

D538,165 S \* 3/2007 Rittman ..... D9/522  
D554,581 S \* 11/2007 Aquillano ..... D13/103  
D564,885 S \* 3/2008 Rittman ..... D9/522  
D566,565 S \* 4/2008 Rittman ..... D9/522  
D579,340 S \* 10/2008 Dickman et al. .... D9/558  
D589,806 S \* 4/2009 Snyder ..... D9/523  
D597,407 S \* 8/2009 Maddy ..... D9/523  
D604,235 S \* 11/2009 Tarter ..... D13/103  
D606,492 S \* 12/2009 Steinfels ..... D13/119  
D610,081 S \* 2/2010 DeSorbo ..... D13/103  
D635,458 S \* 4/2011 Braun et al. .... D9/516  
D642,923 S \* 8/2011 Newton ..... D9/522  
D646,578 S \* 10/2011 Marais et al. .... D9/553  
D650,285 S \* 12/2011 Smith et al. .... D9/542  
D651,088 S \* 12/2011 Buschmann et al. .... D9/522  
2010/0203380 A1 \* 8/2010 O'Phelan et al. .... 429/178  
2011/0042399 A1 \* 2/2011 Schroeder ..... 220/669

\* cited by examiner

*Primary Examiner* — Rosemary K Tarcza

(74) *Attorney, Agent, or Firm* — Alan A. Bornstein

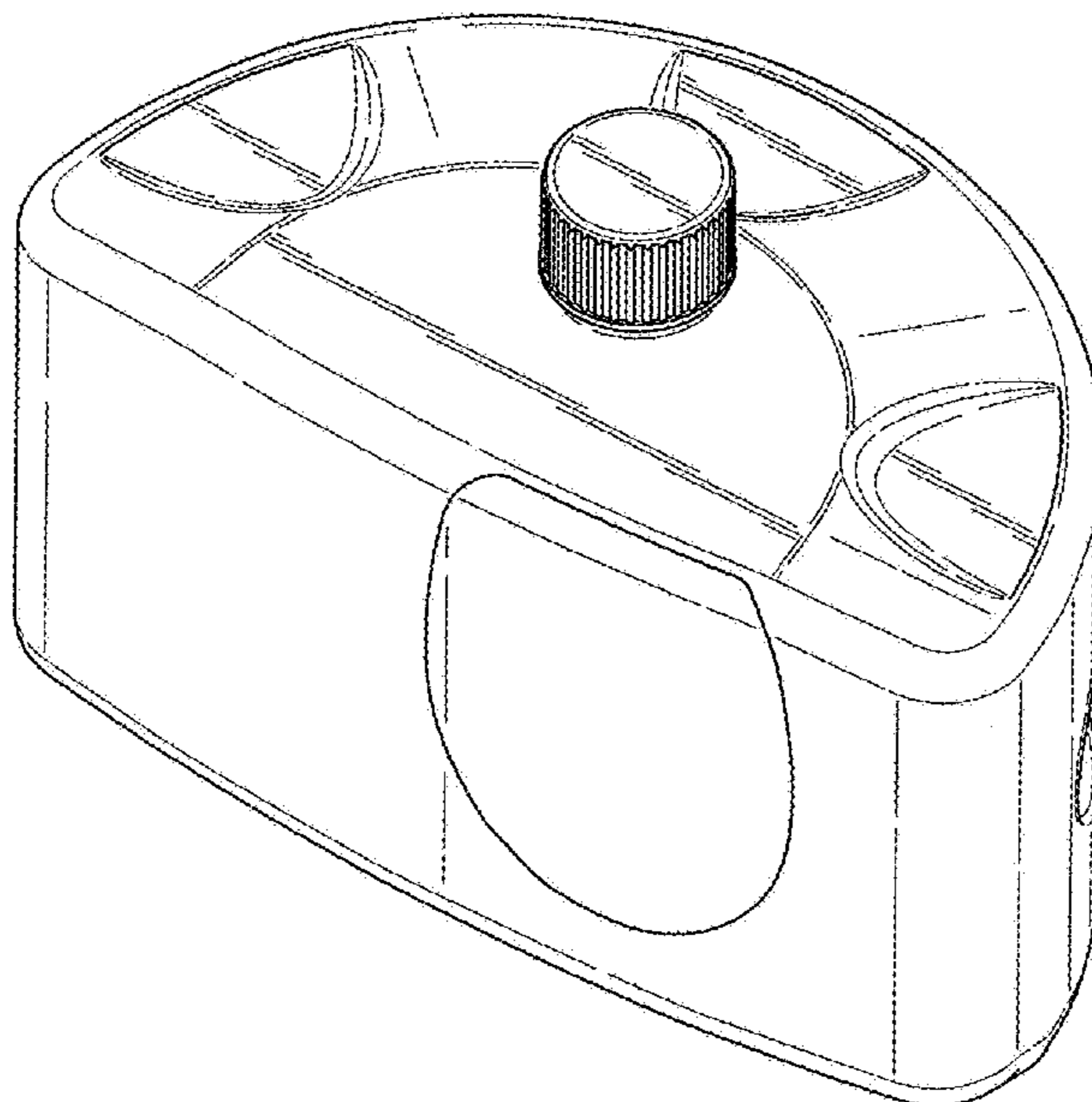
(57) **CLAIM**

The ornamental design for a bottle, as shown and described.

**DESCRIPTION**

FIG. 1 is a front perspective view from top and right side of a bottle showing our new design;  
FIG. 2 is a front elevational view thereof;  
FIG. 3 is a back elevational view thereof;  
FIG. 4 is a right side elevational view thereof;  
FIG. 5 is a left side elevational view thereof;  
FIG. 6 is a top plan view thereof; and,  
FIG. 7 is a bottom plan view thereof.  
The broken lines are directed to environment and are for illustrative purposes only; the broken lines form no part of the claimed design.

**1 Claim, 6 Drawing Sheets**



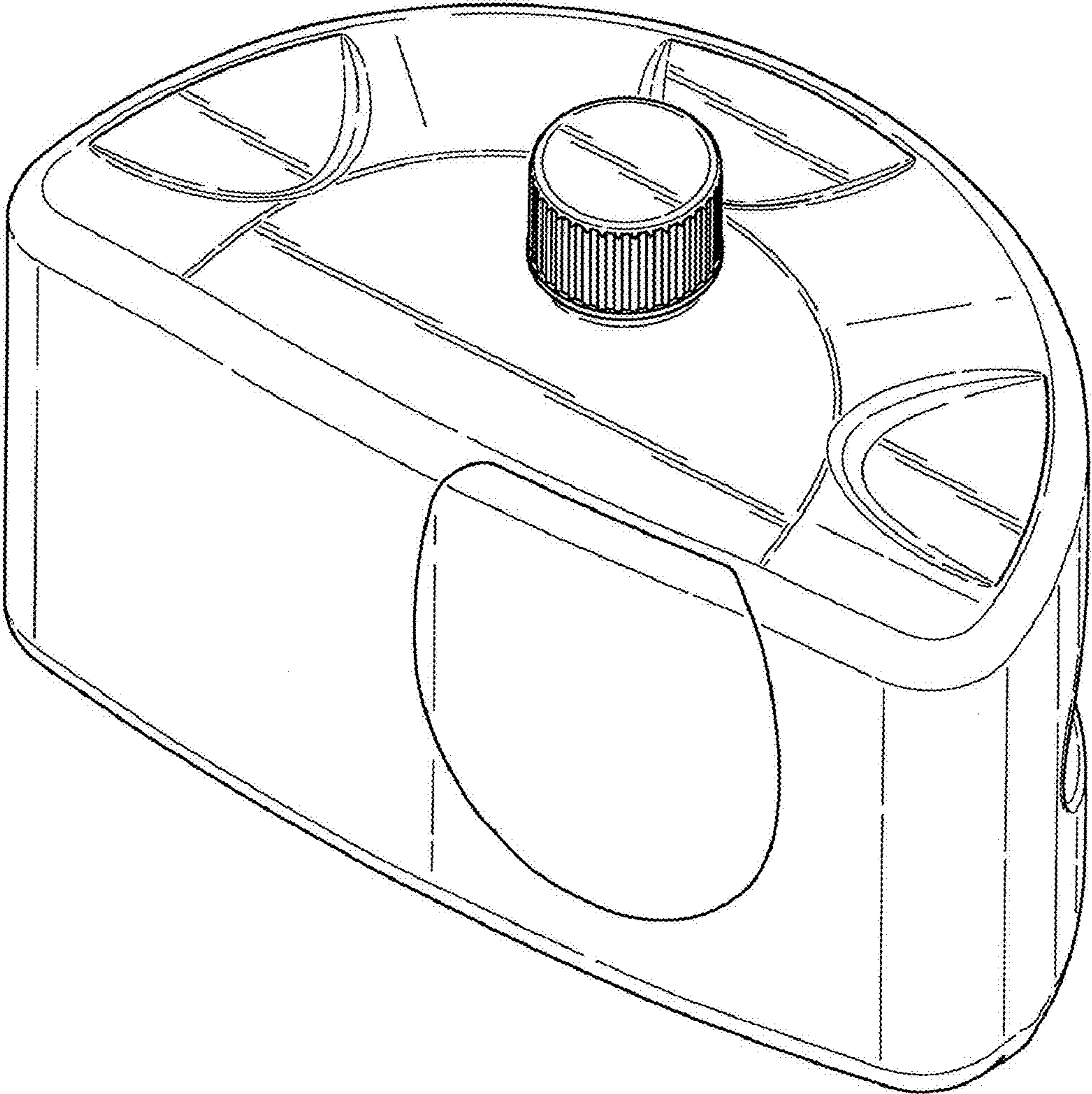


Fig. 1.

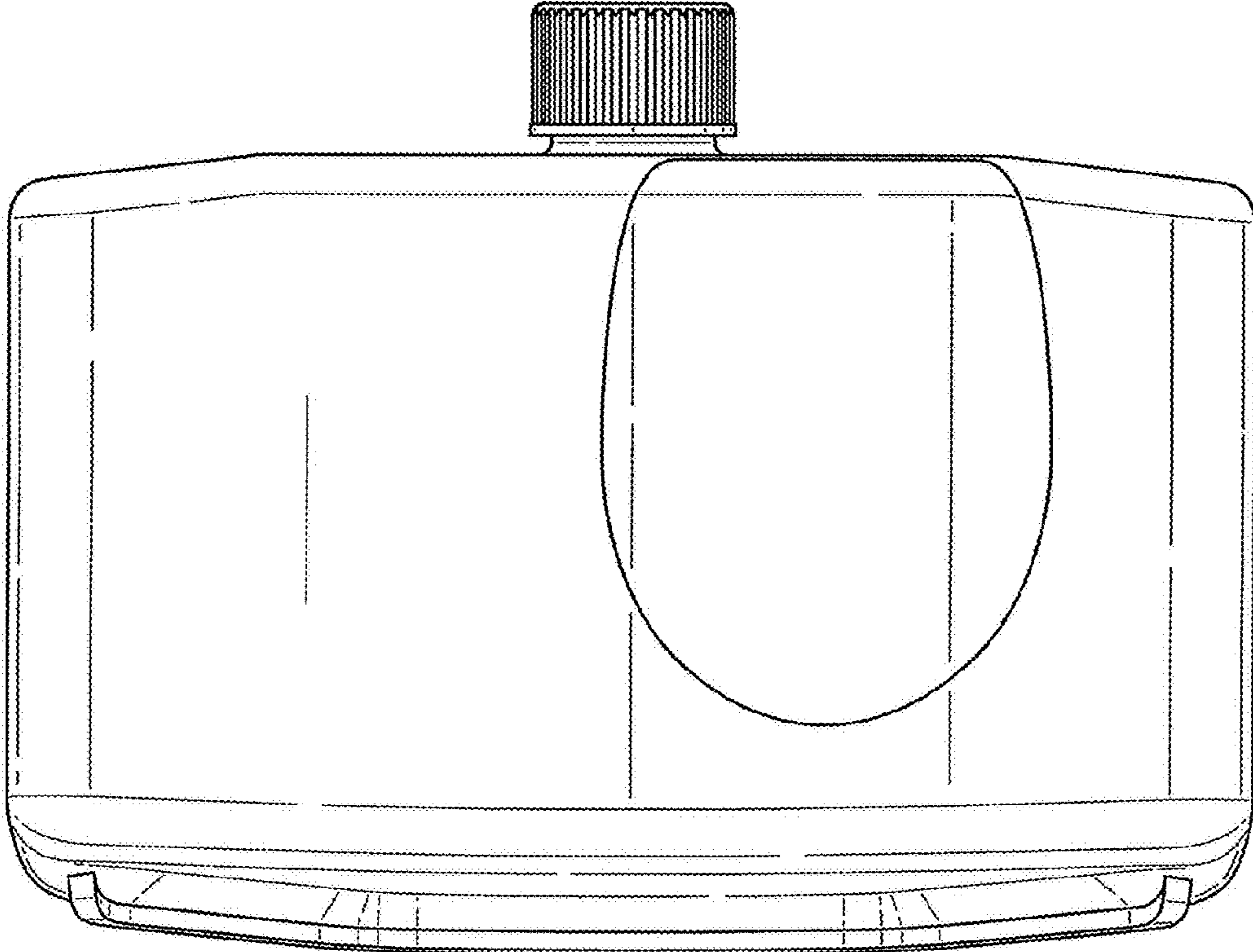


Fig.2.

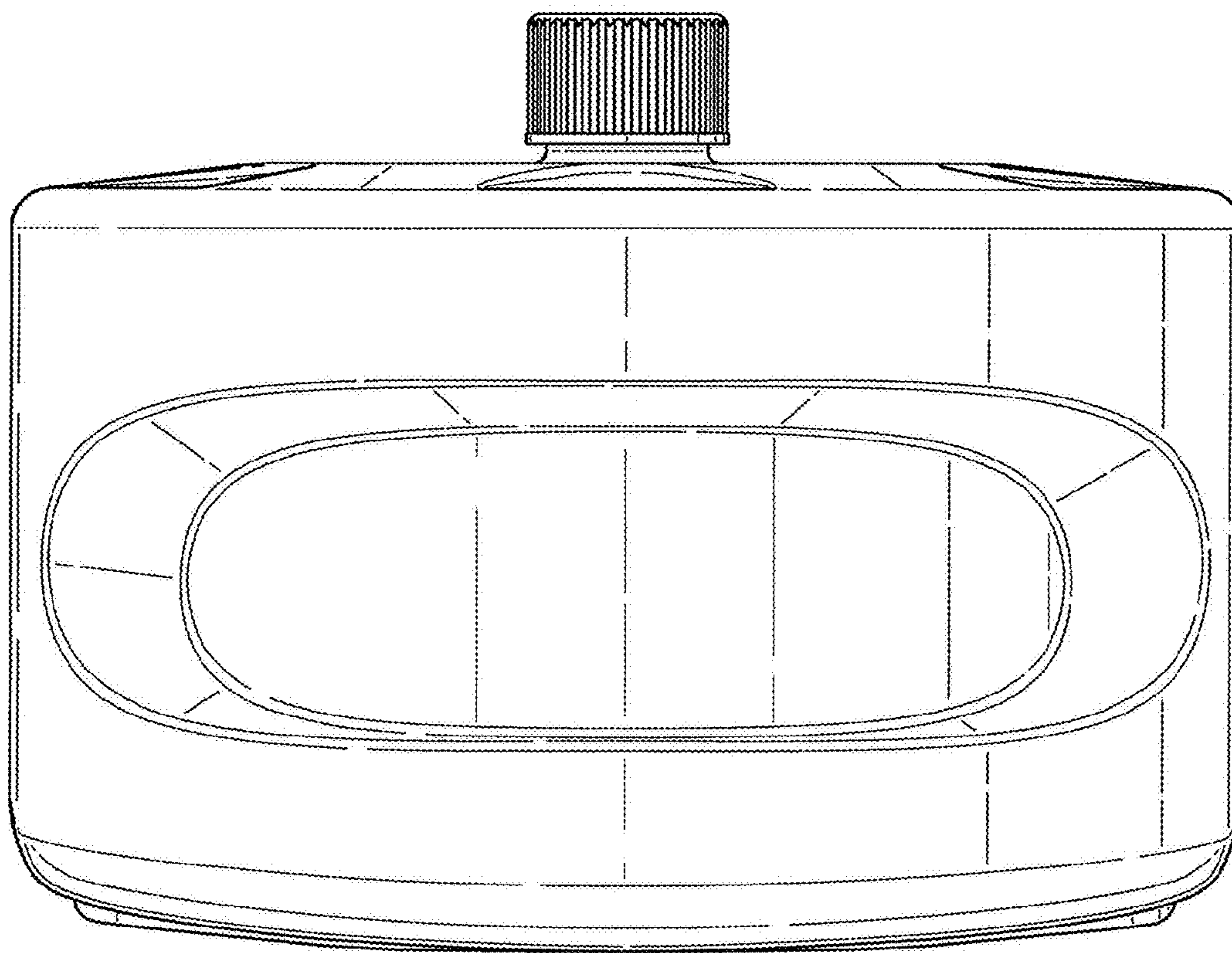


Fig.3.

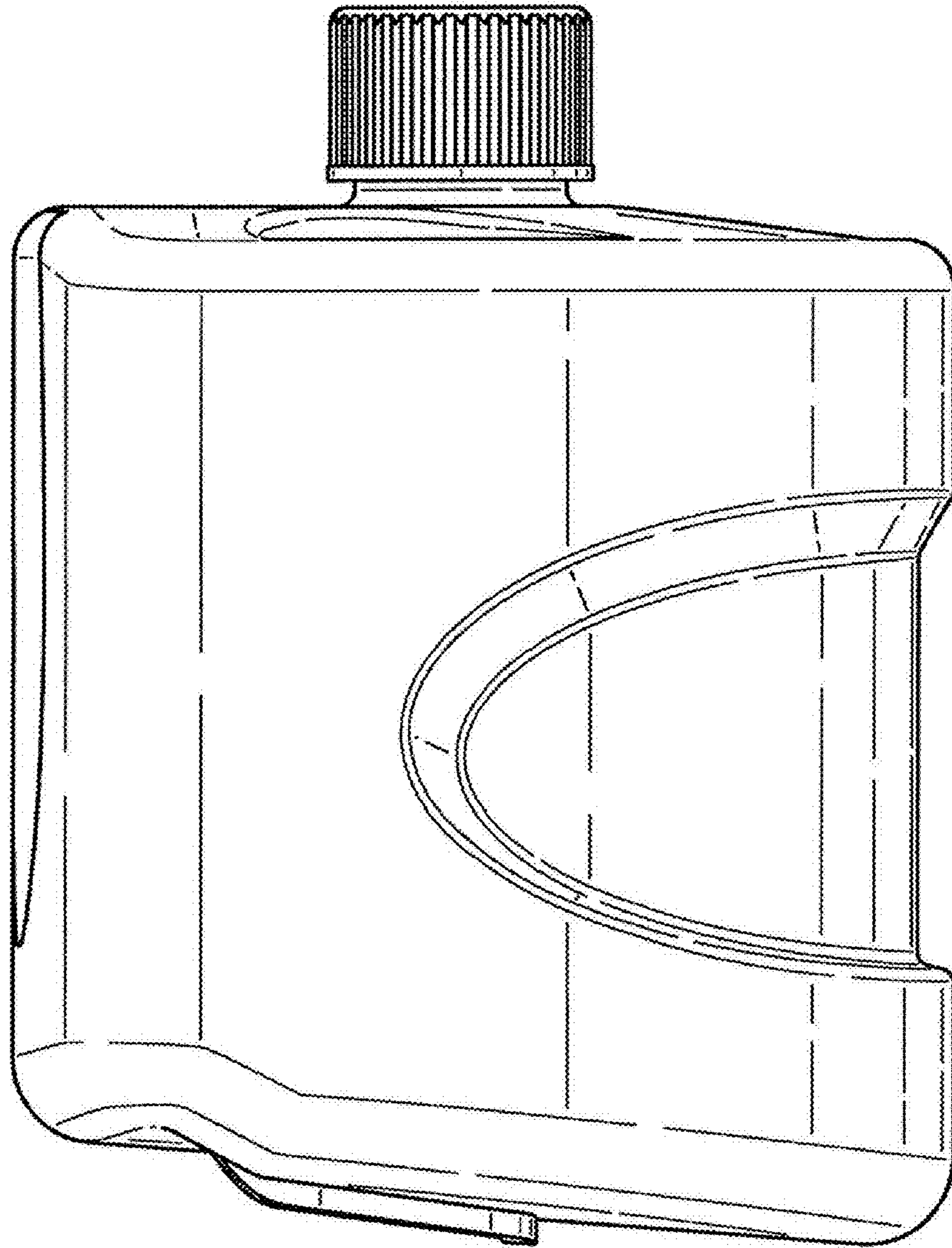


Fig.4.

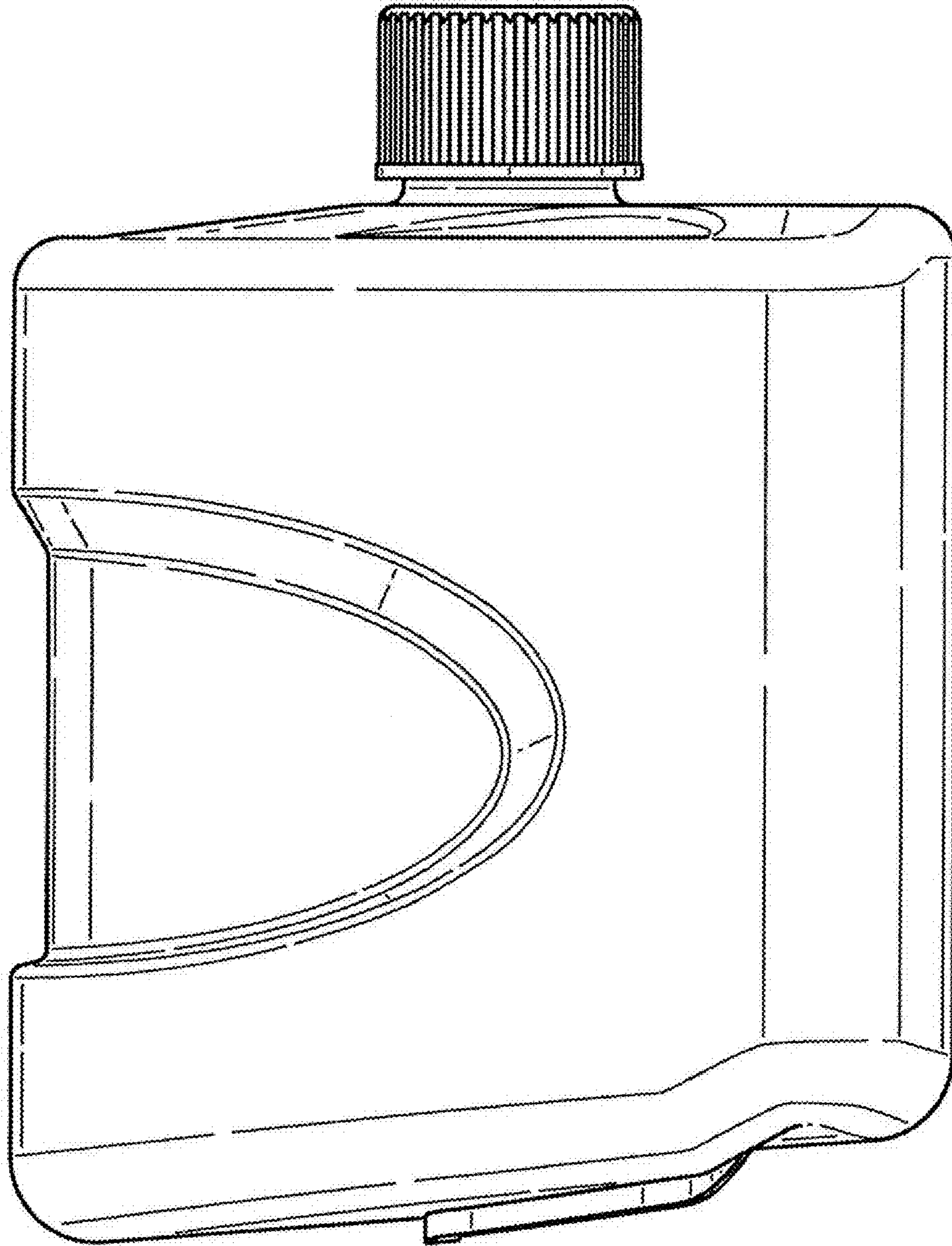


Fig. 5.

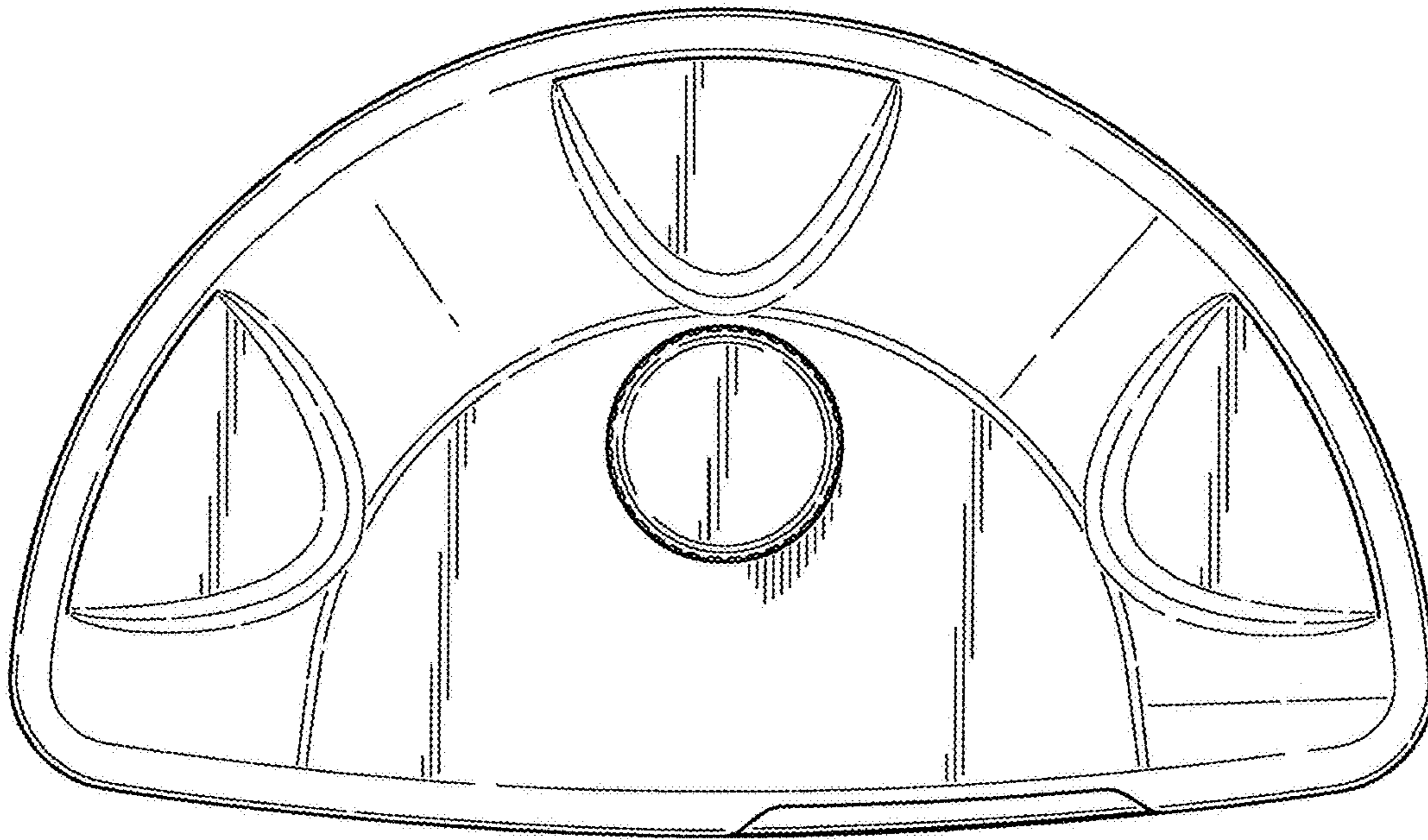


Fig.6.

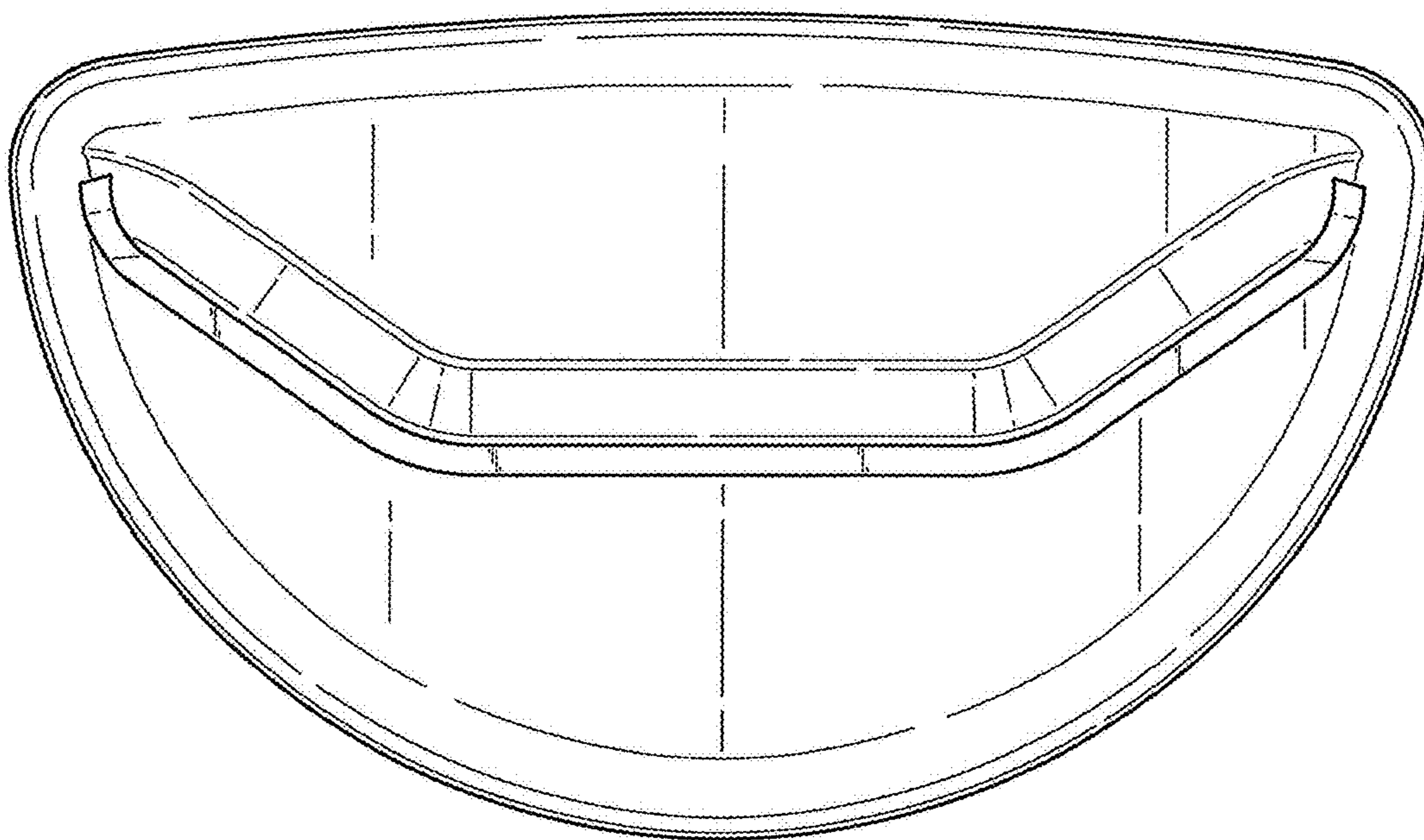


Fig.7.