

US00D661191S

(12) **United States Design Patent**
Malone

(10) **Patent No.:** **US D661,191 S**
(45) **Date of Patent:** **** Jun. 5, 2012**

(54) **POLYETHYLENE FOAM BLOCK**

(75) Inventor: **Dale Malone**, Austin, TX (US)
(73) Assignee: **EcoBox Franchise Corporation, Inc.**,
Austin, TX (US)

(**) Term: **14 Years**

(21) Appl. No.: **29/406,069**

(22) Filed: **Nov. 9, 2011**

(51) **LOC (9) Cl.** **09-07**

(52) **U.S. Cl.** **D9/456**

(58) **Field of Classification Search** D9/456,
D9/455, 434; D3/328, 319, 313, 295, 294,
D3/273, 203.8, 203.6, 203.1, 201; D25/141,
D25/125, 123, 115, 114, 113; 428/152, 150,
428/141; 410/154; 206/711, 710

See application file for complete search history.

(56) **References Cited**

U.S. PATENT DOCUMENTS

926,148	A *	6/1909	Sullivan	174/72 C
1,516,721	A *	11/1924	Emery	470/19
1,894,605	A *	1/1933	Wright	446/122
D281,308	S *	11/1985	Bussey, Jr.	D9/456
D335,083	S *	4/1993	Russell et al.	D9/456
5,484,961	A *	1/1996	Itoh et al.	174/84 C
D380,680	S *	7/1997	Sun	D9/456
D397,270	S *	8/1998	Maalouf	D6/601
6,053,751	A *	4/2000	Humphrey	439/108
D563,787	S *	3/2008	Harvey et al.	D9/456

OTHER PUBLICATIONS

Malone, Dale, U.S. Patent Application entitled "A Polyethylene Foam Block in the Shape of a U to Protect Items when Moving or Shipping," U.S. Appl. No. 29,396,083, filed Jun. 24, 2011.

* cited by examiner

Primary Examiner — Susan Bennett Hattan

(74) *Attorney, Agent, or Firm* — Robert A. Voigt, Jr.; Winstead P.C.

(57) **CLAIM**

The ornamental design for this polyethylene foam block, as shown and described.

DESCRIPTION

FIG. 1 is a front perspective view of the polyethylene foam block;

FIG. 2 is an isometric perspective view of a side of the polyethylene foam block;

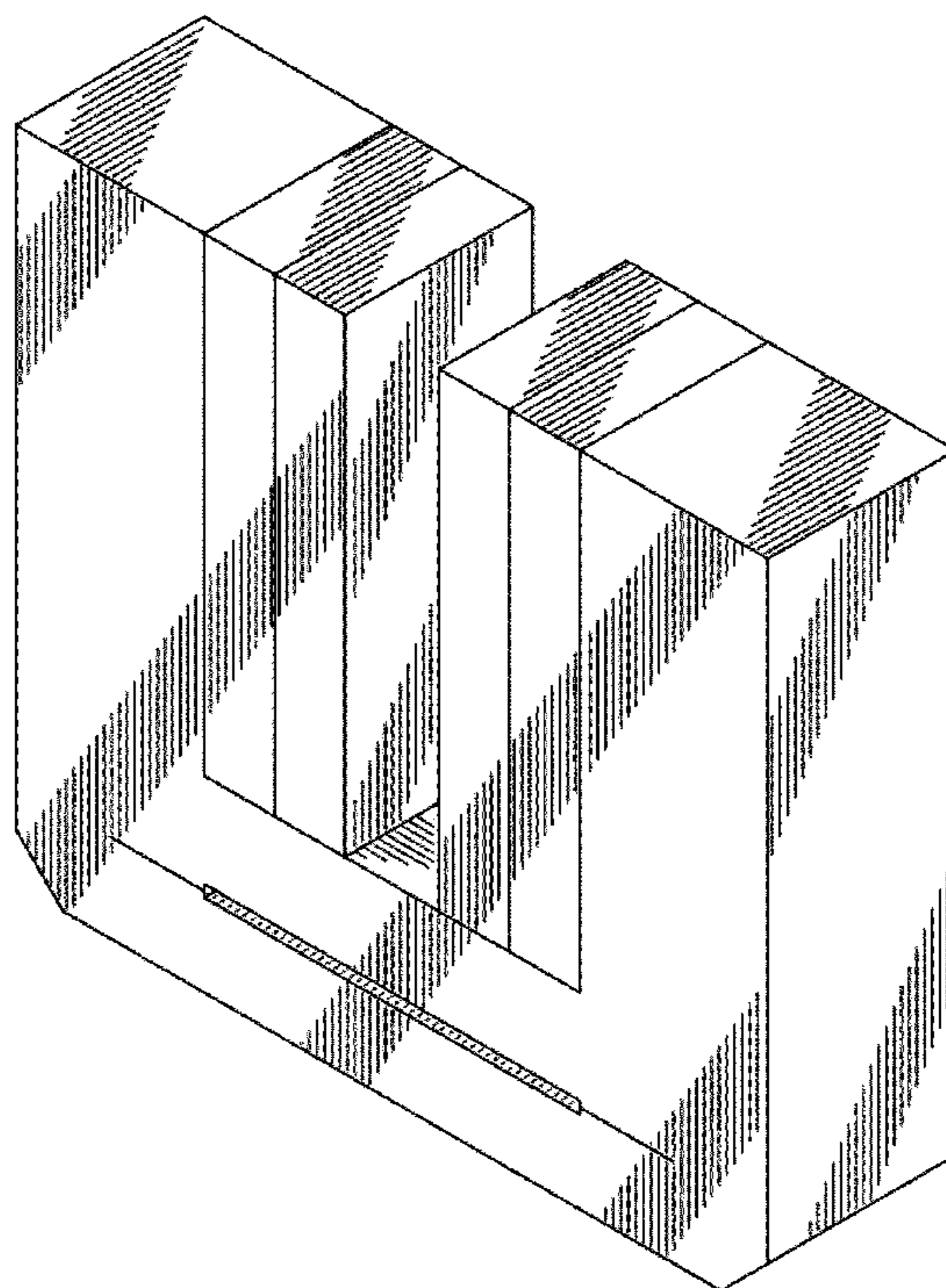
FIG. 3 is a rear perspective view of the polyethylene foam block;

FIG. 4 is a top perspective view of the polyethylene foam block;

FIG. 5 is a side perspective view of the polyethylene foam block; and,

FIG. 6 is a bottom perspective view of the polyethylene foam block.

1 Claim, 5 Drawing Sheets



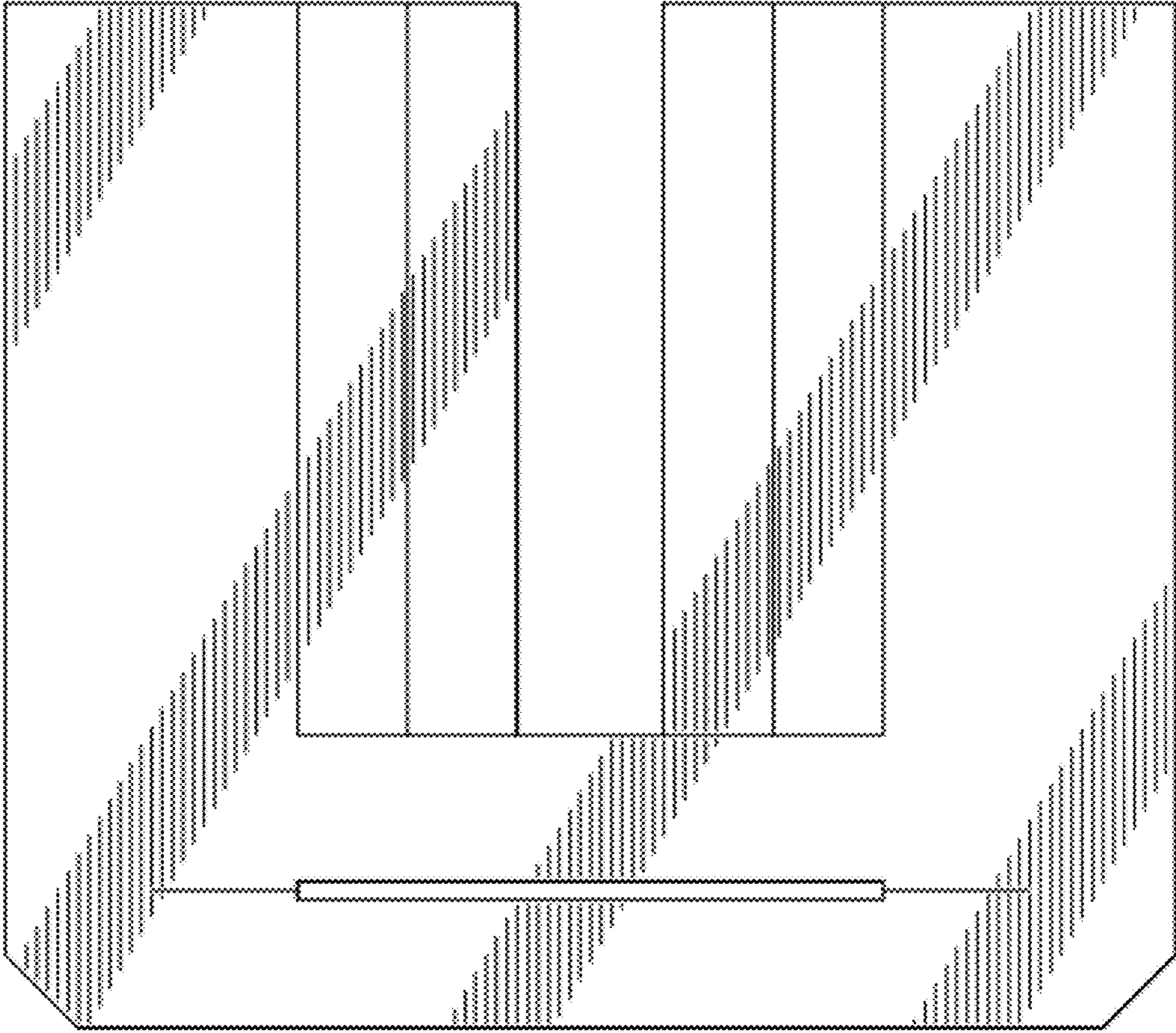


FIG. 1

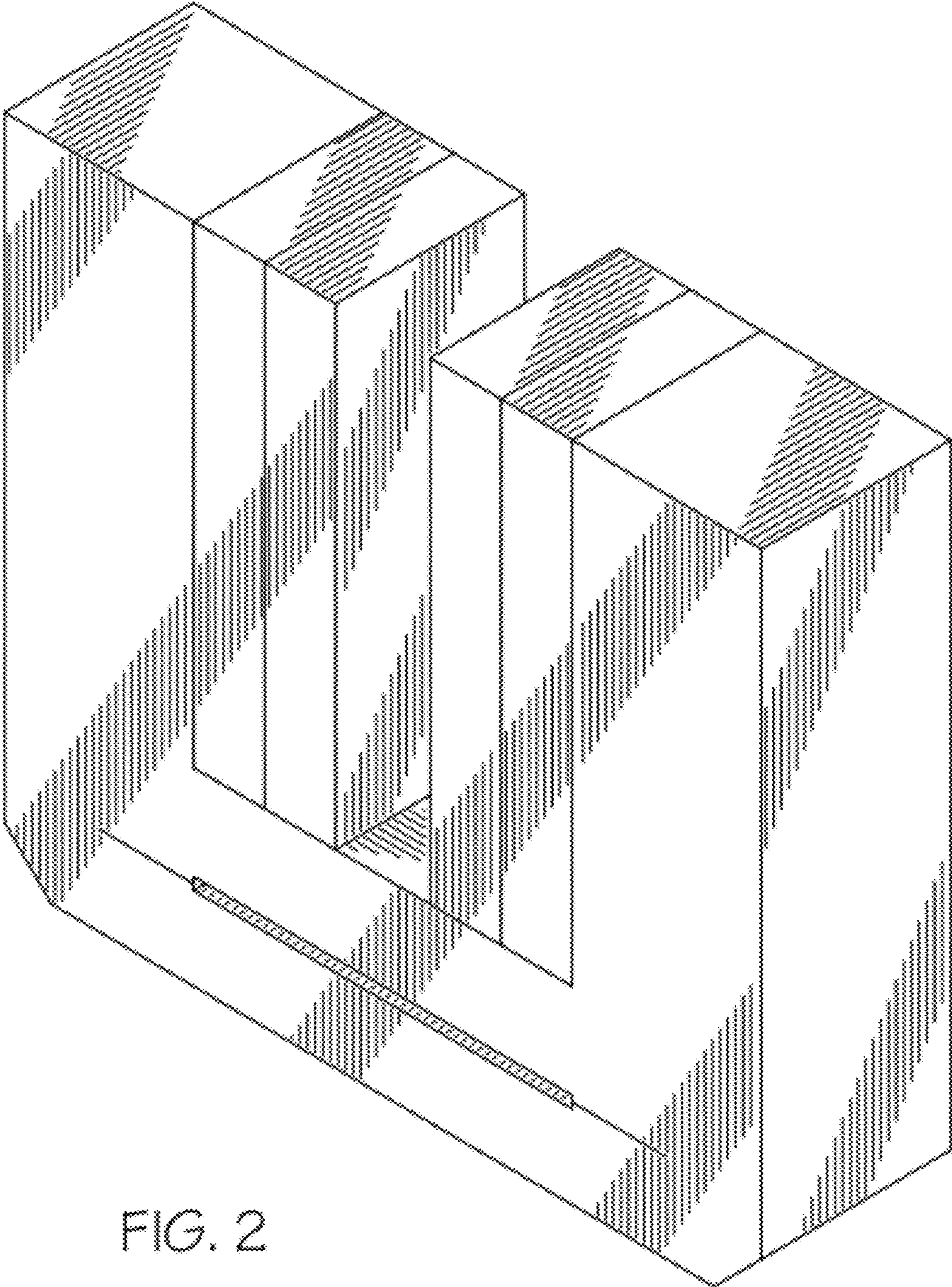


FIG. 2

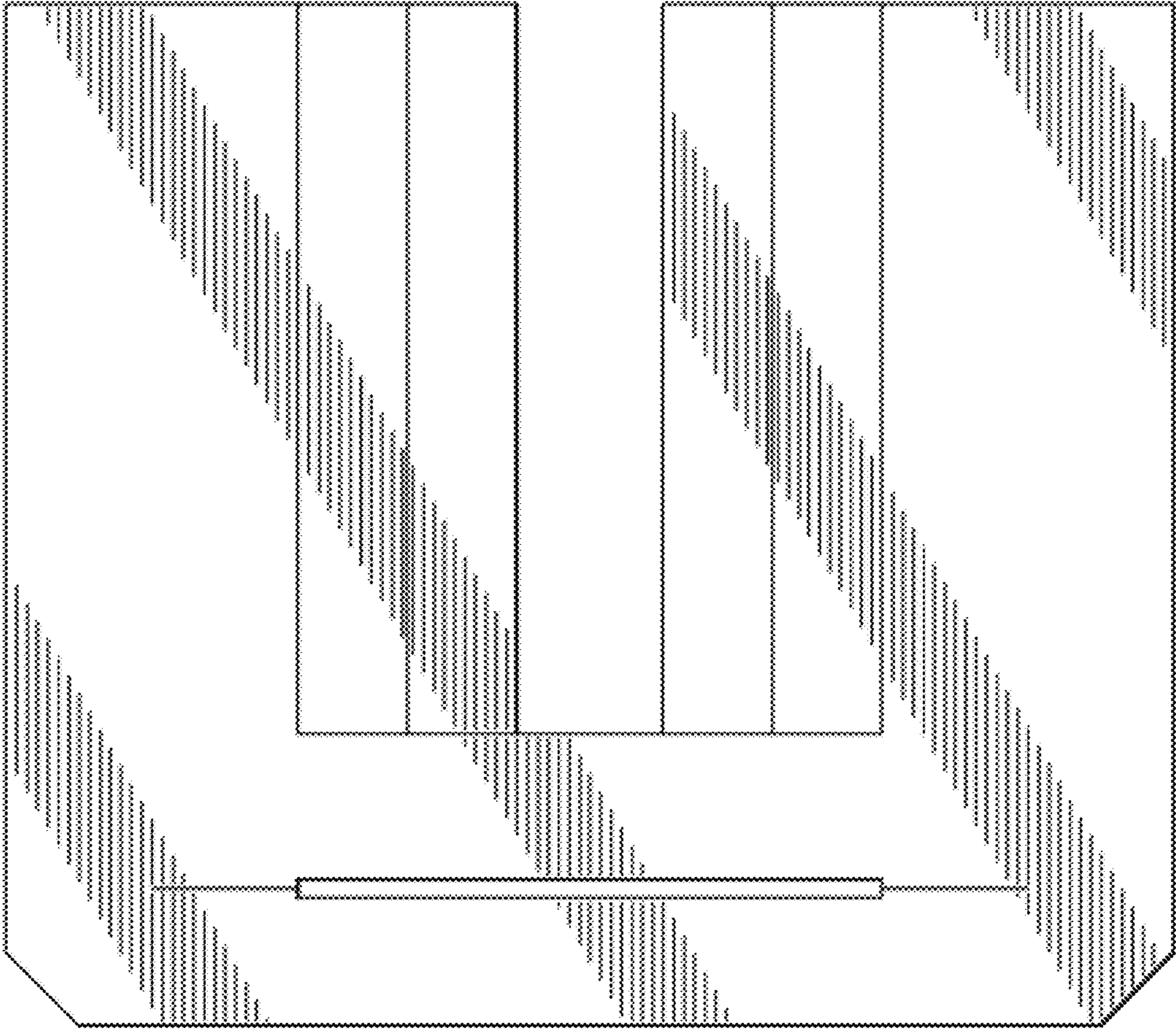


FIG. 3

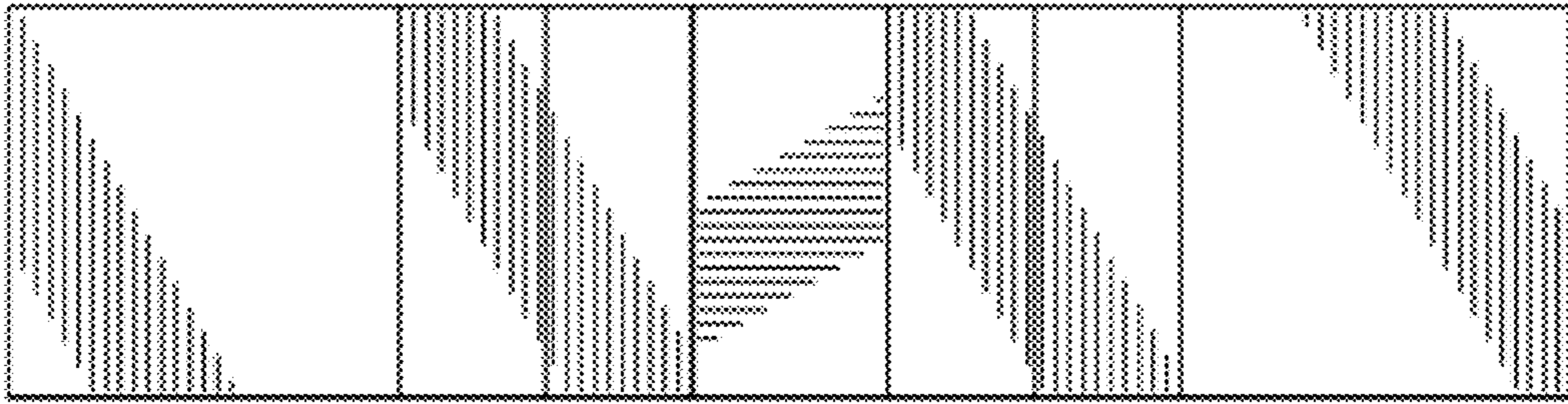


FIG. 4

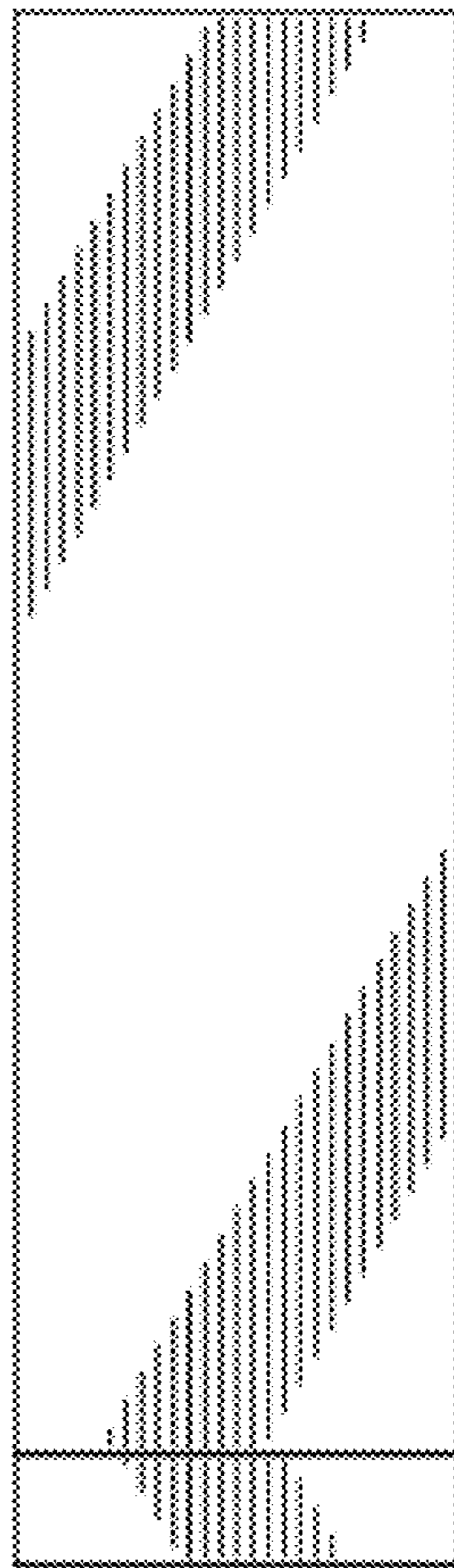


FIG. 5

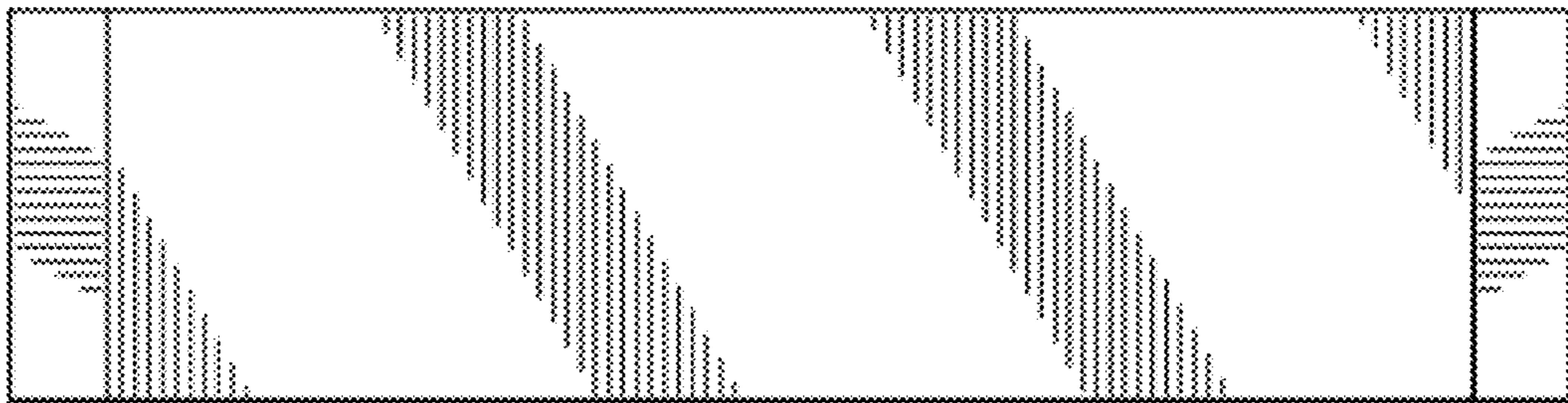


FIG. 6

UNITED STATES PATENT AND TRADEMARK OFFICE
CERTIFICATE OF CORRECTION

PATENT NO. : D661,191 S
APPLICATION NO. : 29/406069
DATED : June 5, 2012
INVENTOR(S) : Dale Malone

Page 1 of 1

It is certified that error appears in the above-identified patent and that said Letters Patent is hereby corrected as shown below:

Title Page:

Item 73

Please replace the name of the assignee from "EcoBox Franchise Corporation, Inc." to
--Eco Box Franchise Corporation--.

Please replace the residence of the assignee from "Austin, Texas" to --San Antonio, Texas--.

Signed and Sealed this
Twenty-third Day of February, 2016



Michelle K. Lee
Director of the United States Patent and Trademark Office