



US00D661188S

(12) **United States Design Patent**
Fahy

(10) **Patent No.:** **US D661,188 S**
(45) **Date of Patent:** **** Jun. 5, 2012**

(54) **PACKAGING**

(75) Inventor: **Jonathan Frank Michael Fahy, Kent**
(GB)

(73) Assignee: **Smith and Nephew PLC, London (GB)**

(**) Term: **14 Years**

(21) Appl. No.: **29/389,676**

(22) Filed: **Apr. 14, 2011**

(30) **Foreign Application Priority Data**

Oct. 15, 2010 (GB) 4017445

(51) **LOC (9) Cl.** **09-07**

(52) **U.S. Cl.** **D9/456**

(58) **Field of Classification Search** D9/456,
D9/455, 434; D3/328, 319, 313, 295, 294,
D3/273, 203.8, 203.6, 203.1, 201; D25/141,
D25/125, 123, 115, 114, 113; 428/152, 150,
428/141; 410/154; 206/711, 710
See application file for complete search history.

(56) **References Cited**

U.S. PATENT DOCUMENTS

D235,737 S *	7/1975	Paove	D9/456
D240,199 S *	6/1976	Perfect	D9/456
D393,591 S *	4/1998	Baryshyan	D9/756
D396,954 S *	8/1998	Iversen et al.	D3/313
D396,955 S *	8/1998	Iversen et al.	D3/313
D396,956 S *	8/1998	Iversen et al.	D3/313
D459,078 S *	6/2002	Tondino	D3/313
7,288,745 B2 *	10/2007	Colonna	219/439
D572,588 S *	7/2008	Osborn et al.	D9/456
7,401,703 B2	7/2008	McMichael et al.	

D589,798 S *	4/2009	Liipola	D9/456
D596,030 S *	7/2009	Liipola	D9/456
2009/0223989 A1 *	9/2009	Gelardi	221/1

OTHER PUBLICATIONS

Smith & Nephew, Blister Pack Tray for Versajet Hydrosurgery System Handpiece (used for debridement of wounds), on sale in the United States more than one year before the priority date of the present application.

KCI, Packaging for V.A.C. Via™ Negative Pressure Wound Therapy System, on sale in the United States before the priority date of the present application.

ArjoHuntleigh, WoundAssist® Topical Negative Pressure System. Retrieved from <http://www.easytnp.com/Page.asp?PageNumber=14> on Jul. 22, 2011 (1 printed page). Information posted on the website before the priority date of the present application.

U.S. Appl. No. 29/389,766, filed Apr. 15, 2011, Fahy.

U.S. Appl. No. 29/389,678, filed Apr. 14, 2011, Fahy.

* cited by examiner

Primary Examiner — Susan Bennett Hattan

(74) *Attorney, Agent, or Firm* — Knobbe Martens Olson & Bear LLP

(57) **CLAIM**

The ornamental design for a packaging, as shown and described.

DESCRIPTION

FIG. 1 is a perspective top view of a packaging.

FIG. 2 is another perspective top view of the packaging of FIG. 1.

FIG. 3 is a top plan view of the packaging of FIG. 1.

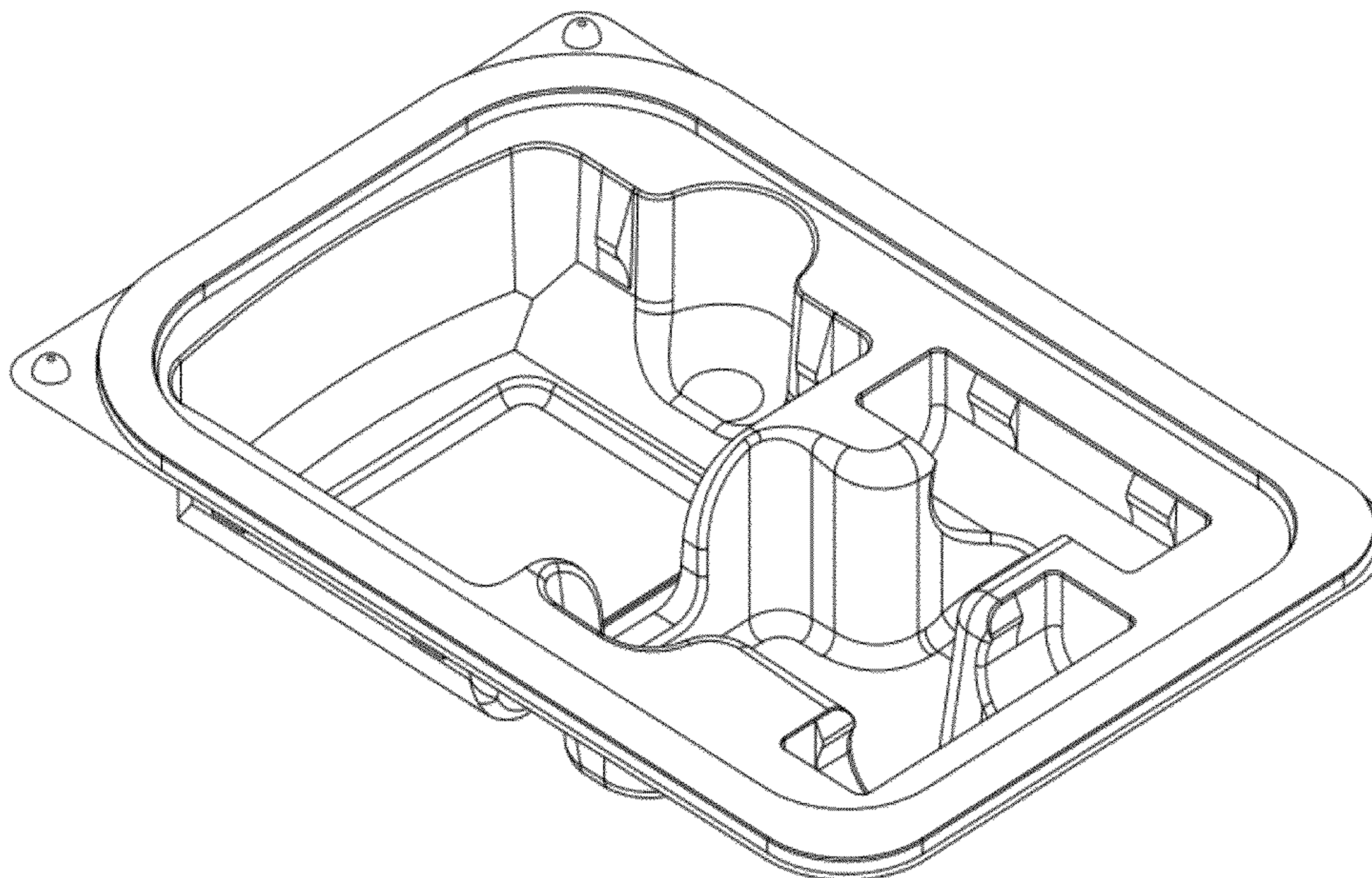
FIG. 4 is a far side view of the packaging of FIG. 1.

FIG. 5 is a near side view of the packaging of FIG. 1.

FIG. 6 is a front view of the packaging of FIG. 1; and,

FIG. 7 is a rear view of the packaging of FIG. 1.

1 Claim, 7 Drawing Sheets



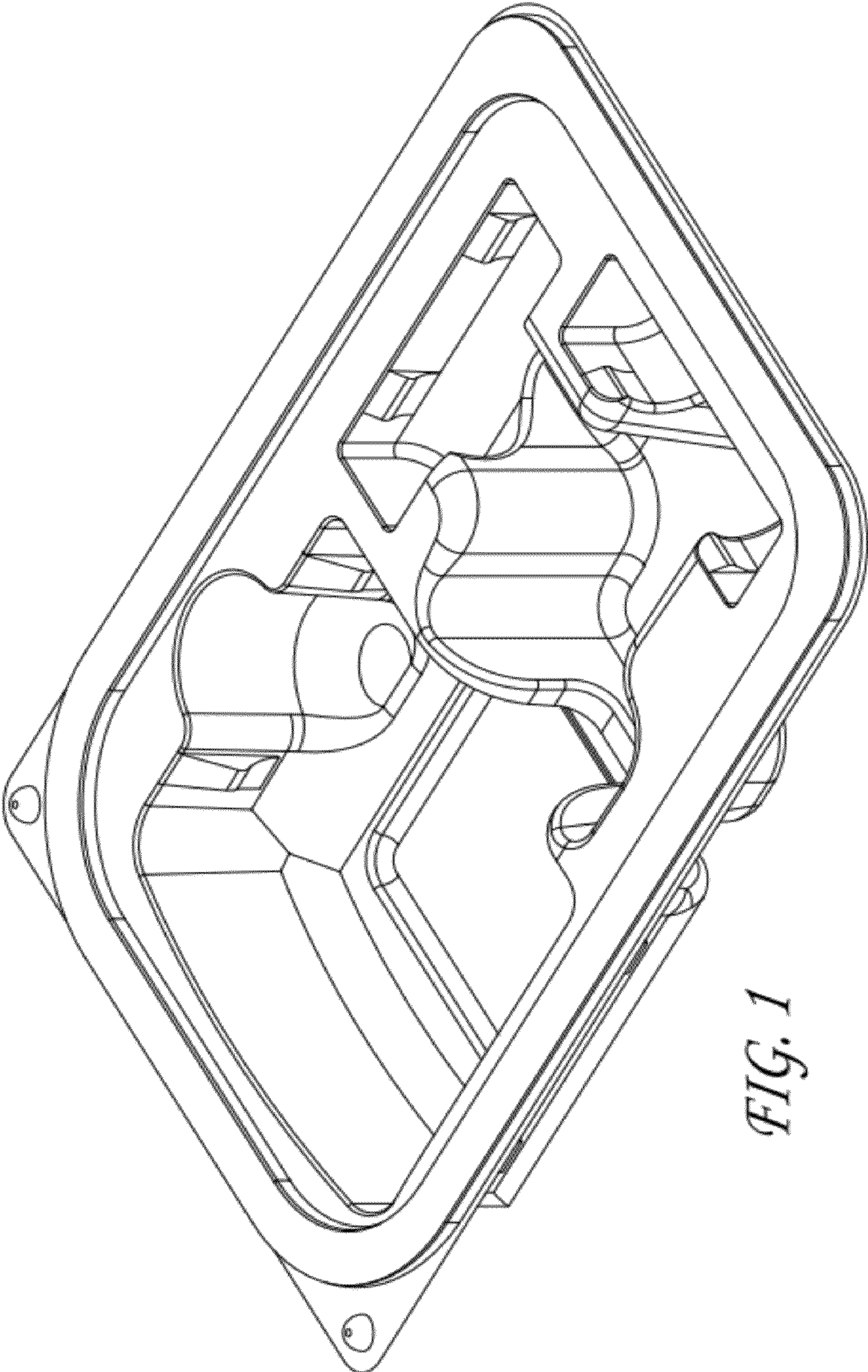


FIG. 1

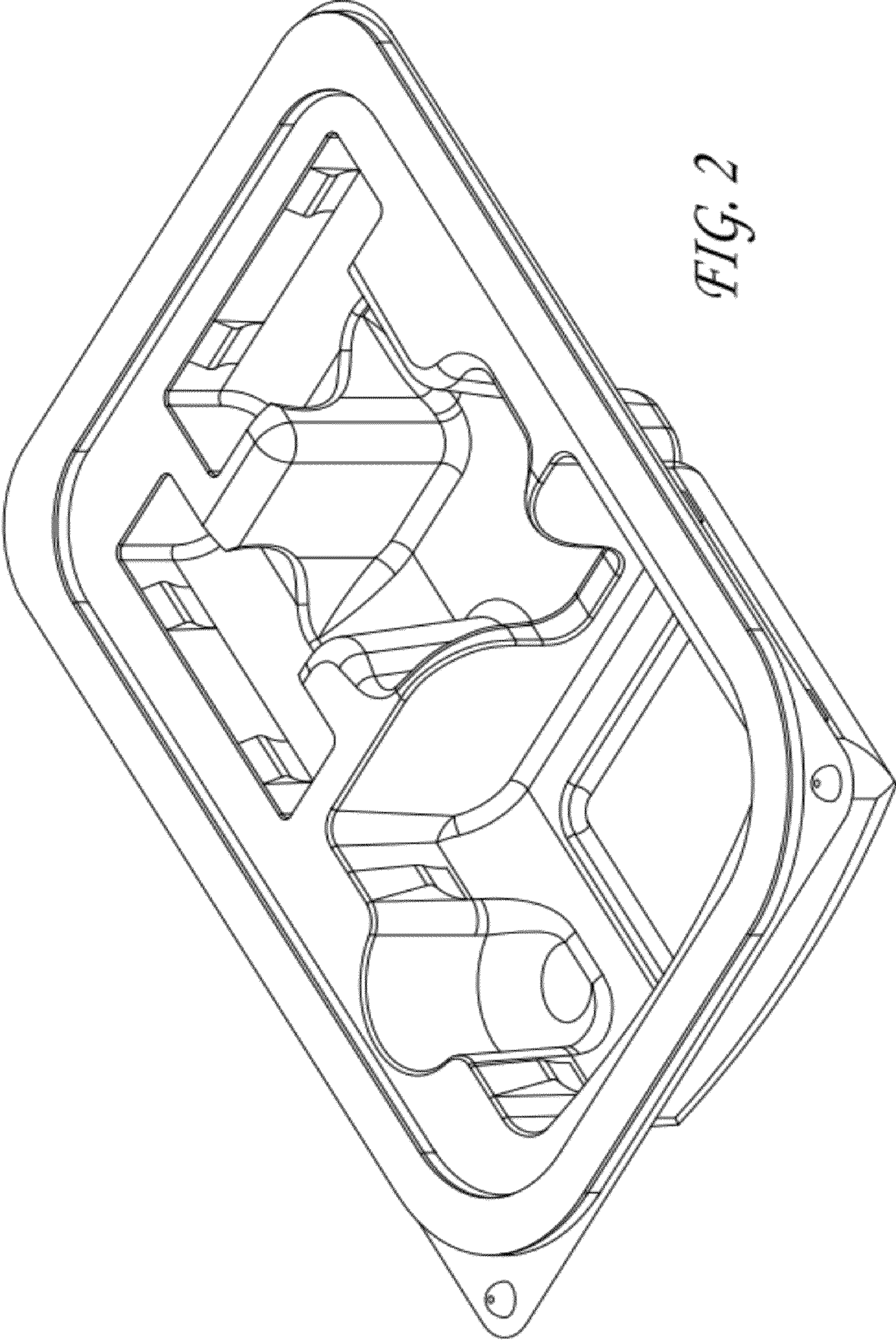


FIG. 2

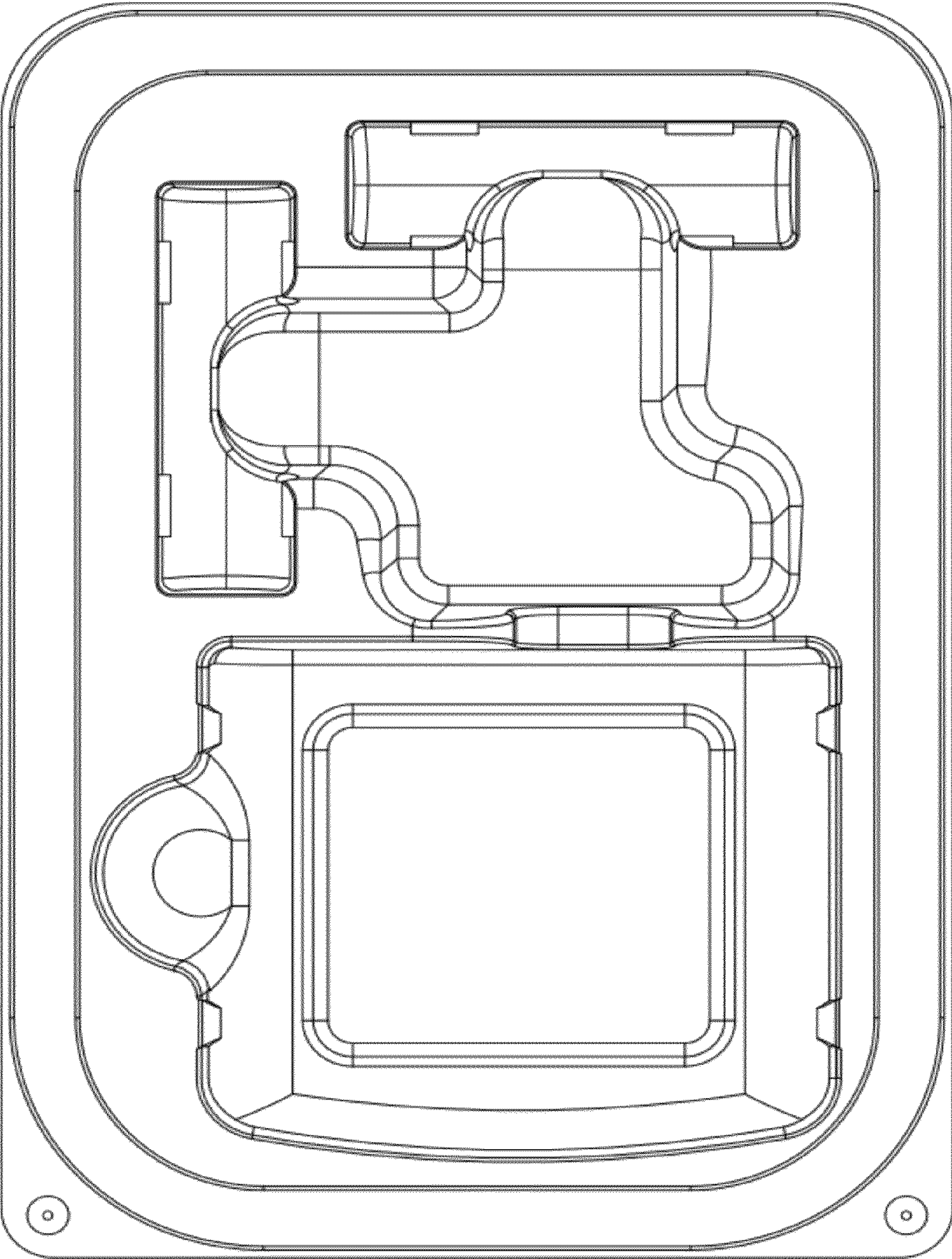


FIG. 3

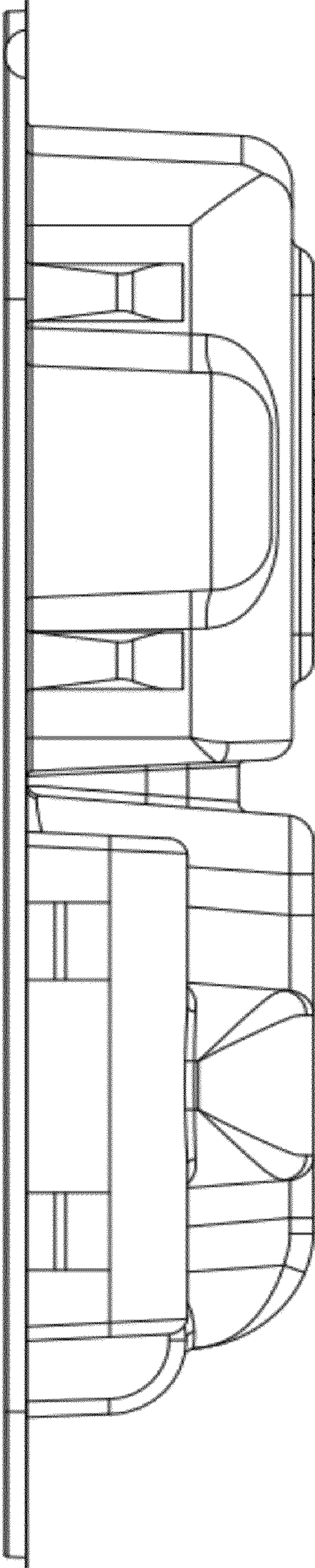


FIG. 4

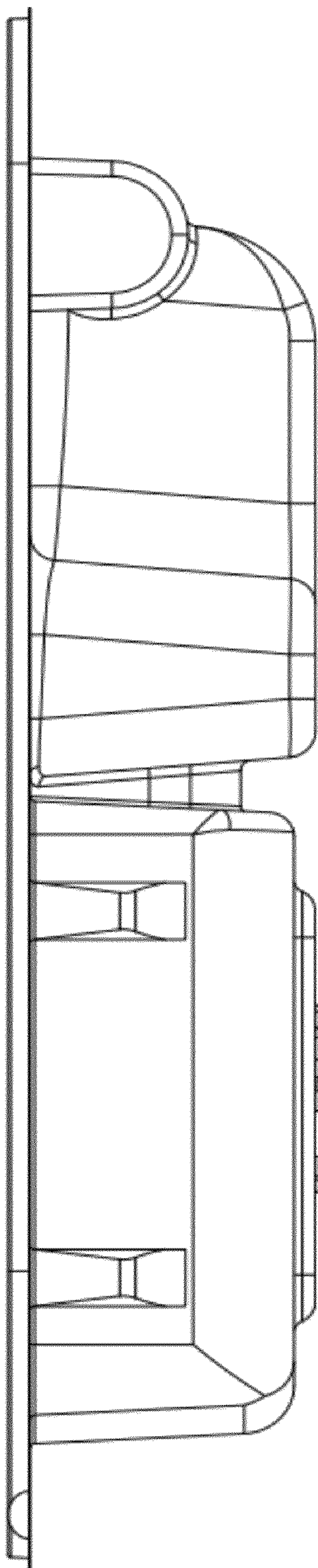


FIG. 5

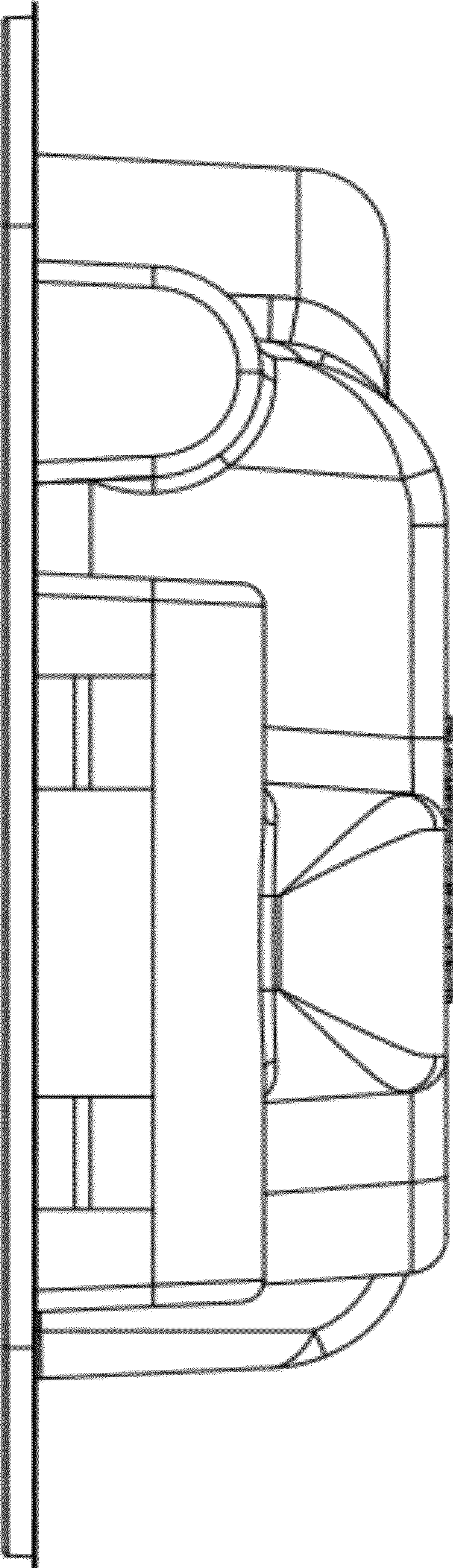


FIG. 6

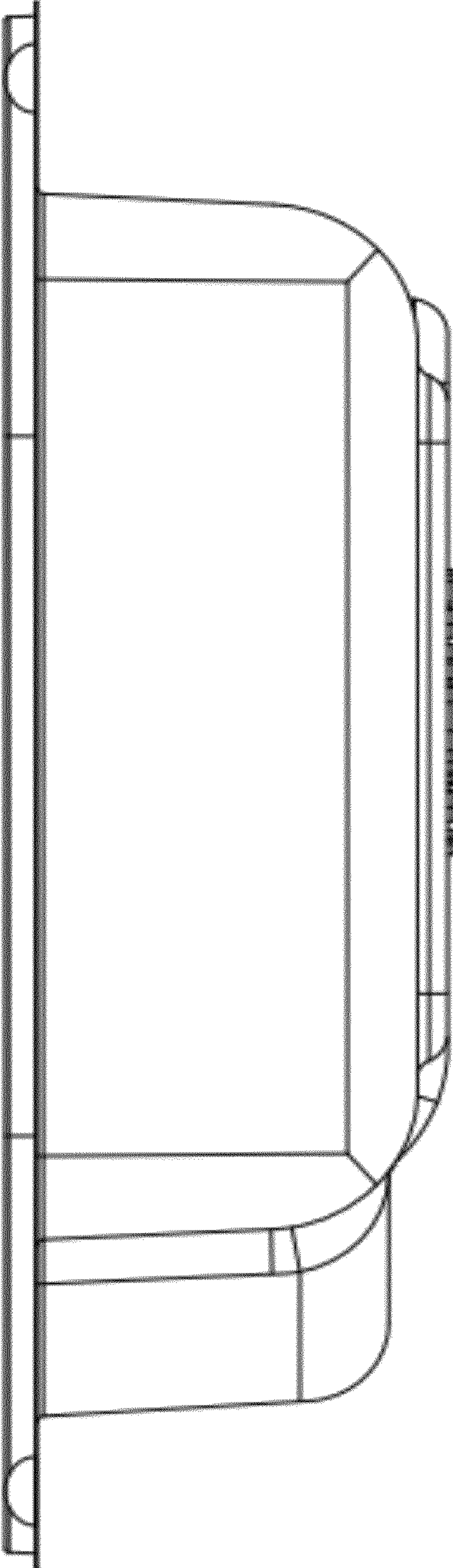


FIG. 7