

US00D661187S

(12) **United States Design Patent**
Baranowski et al.

(10) **Patent No.:** **US D661,187 S**
(45) **Date of Patent:** **** Jun. 5, 2012**

(54) **TRIGGER**
(75) Inventors: **Brad P. Baranowski**, Racine, WI (US);
David A. Hoadley, Racine, WI (US);
Cinzia Galia, Alessandria (IT)

D351,646 S 10/1994 Foster et al.
D351,991 S 11/1994 Bertolini
D353,321 S 12/1994 Steijns et al.
5,507,418 A 4/1996 Dobbs et al.
5,542,581 A 8/1996 Habora et al.
(Continued)

(73) Assignee: **S.C. Johnson & Son, Inc.**, Racine, WI (US)

FOREIGN PATENT DOCUMENTS

AU 319086 S 4/2008
(Continued)

(**) Term: **14 Years**

OTHER PUBLICATIONS

(21) Appl. No.: **29/386,704**

So Lovely product pages of a bottle and sprayer from Daum.net website [online] [retrieved on Jul. 11, 2011, 4 pages, Retrieved from <URL: <http://shopping.daum.net/product/productdetail.daum?productid=C88667258&sort>>.

(22) Filed: **Mar. 3, 2011**

(51) **LOC (9) Cl.** **09-07**

(52) **U.S. Cl.** **D9/448; D9/434**

(58) **Field of Classification Search** D9/692,
D9/685, 682, 669, 667, 631, 451, 450, 448,
D9/434, 432, 430, 414; D23/226, 225; 239/526,
239/492, 333, 112; 222/402.15, 402.13,
222/383.1, 334, 331, 321.8, 182

(Continued)

See application file for complete search history.

Primary Examiner — Susan Bennett Hattan

(57) **CLAIM**

The ornamental design for a trigger, as shown and described.

DESCRIPTION

(56) **References Cited**

U.S. PATENT DOCUMENTS

D243,333 S 2/1977 Tada
D247,302 S 2/1978 Federico et al.
D251,382 S 3/1979 Reed
D259,332 S 5/1981 Walton
D272,081 S 1/1984 Suhajda et al.
4,434,917 A 3/1984 Saito et al.
4,643,338 A 2/1987 Iizuka
4,922,859 A 5/1990 Durell et al.
5,018,647 A 5/1991 Abplanalf
D327,222 S 6/1992 Fuchs
5,119,974 A 6/1992 Mann
5,147,074 A 9/1992 Battegazzore
5,257,724 A 11/1993 Steijns
D349,642 S 8/1994 Abfier

FIG. 1 is an isometric view of a top, front, and left side of an ornamental design for a trigger;

FIG. 2 is a front elevational view of the trigger of FIG. 1;

FIG. 3 is a rear elevational view of the trigger of FIG. 1;

FIG. 4 is a left side elevational view of the trigger of FIG. 1;

FIG. 5 is a right side elevational view of the trigger of FIG. 1;

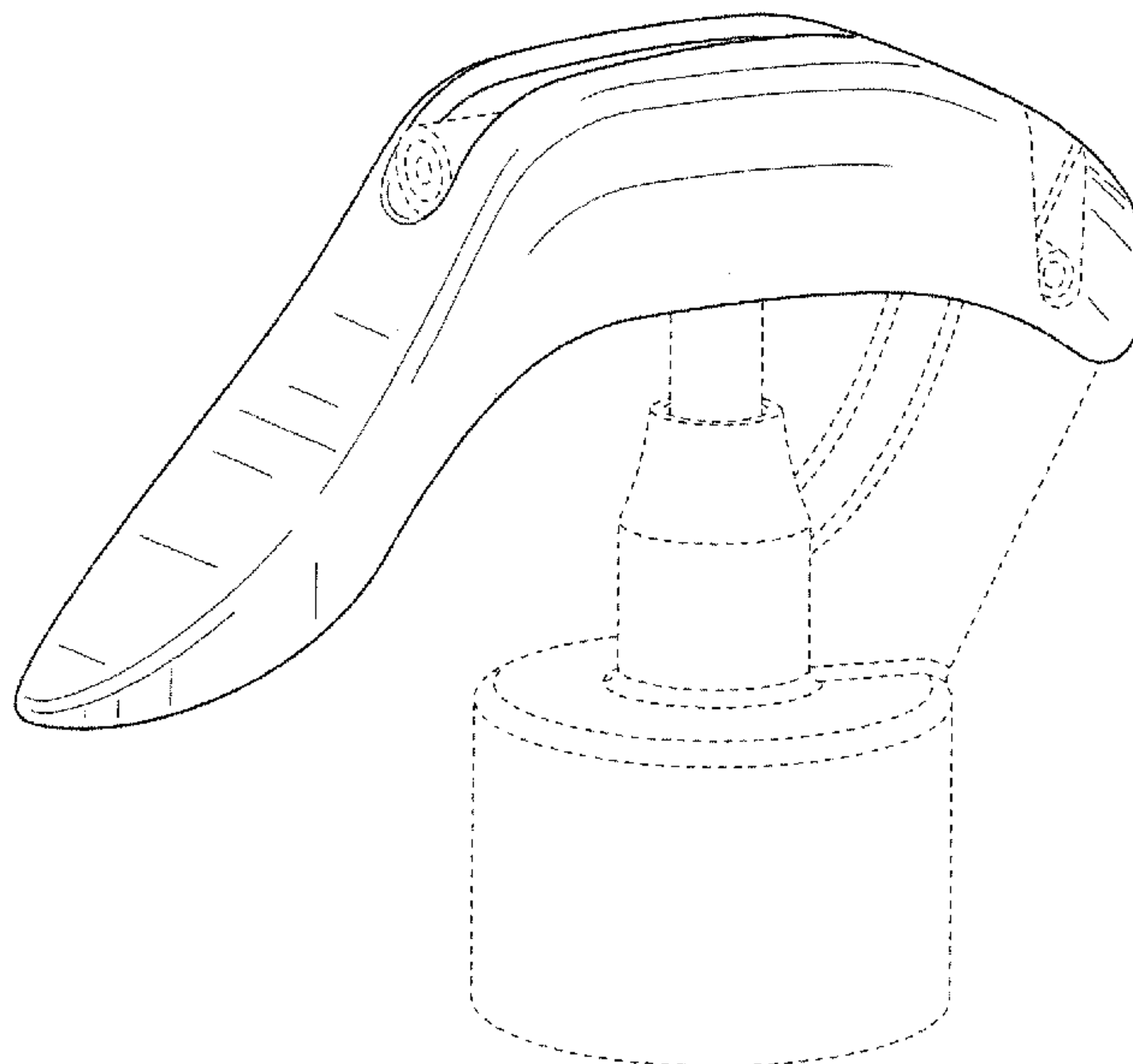
and,

FIG. 6 is a top plan view of the trigger of FIG. 1.

The broken lines are for the purpose of illustrating environmental structure and form no part of the claimed design.

Further, the bottom view forms no part of the claimed invention.

1 Claim, 3 Drawing Sheets



US D661,187 S

U.S. PATENT DOCUMENTS

5,553,750 A 9/1996 Foster
 5,570,840 A 11/1996 Gettinger et al.
 5,575,407 A 11/1996 Foster et al.
 5,636,768 A 6/1997 Yamada
 5,704,521 A 1/1998 Grogan et al.
 5,706,984 A 1/1998 Tada et al.
 D400,102 S 10/1998 Tada
 D406,052 S 2/1999 Dumont et al.
 5,944,223 A 8/1999 Klima et al.
 6,168,050 B1 1/2001 Battegazzore
 6,206,243 B1 3/2001 Schneider et al.
 6,223,380 B1 5/2001 Klima et al.
 D444,700 S 7/2001 Ebert
 D446,721 S 8/2001 Kimble et al.
 D451,388 S 12/2001 Spengler
 6,325,304 B1 12/2001 Brite et al.
 D454,306 S 3/2002 Sweeton et al.
 6,360,918 B1 3/2002 Butler
 D456,262 S 4/2002 Cummings
 6,364,171 B1 4/2002 Chalupsky et al.
 6,439,481 B2 8/2002 von Schuckmann
 D463,972 S 10/2002 Perrin et al.
 D475,294 S 6/2003 Foster et al.
 D481,305 S 10/2003 Walters et al.
 6,851,625 B1 2/2005 Kuo
 D521,864 S 5/2006 Cartoni
 D523,337 S 6/2006 Yang
 D525,123 S 7/2006 Walters et al.
 D528,001 S 9/2006 Schroeder et al.
 D528,002 S 9/2006 Schroeder et al.
 D528,420 S 9/2006 Schroeder et al.
 D528,916 S 9/2006 Schroeder et al.
 D532,299 S 11/2006 Kuo
 D536,977 S 2/2007 Schroeder et al.
 D538,172 S 3/2007 Camby
 D540,193 S 4/2007 Schimminginger
 D545,209 S 6/2007 Batliner
 D546,683 S 7/2007 Yang
 7,249,692 B2 7/2007 Walters et al.
 D550,079 S 9/2007 Yang
 D553,003 S 10/2007 Baker et al.
 D556,038 S 11/2007 Chupak
 7,303,150 B2 12/2007 Hildebrand
 D562,696 S 2/2008 Baker et al.
 D562,697 S 2/2008 Baker et al.
 D564,881 S 3/2008 Chupak
 D565,948 S 4/2008 Maas et al.
 D565,949 S 4/2008 Maas et al.
 D567,082 S 4/2008 Hildebrand
 D567,083 S 4/2008 Welp et al.
 D567,652 S 4/2008 Binderbauer et al.
 D567,653 S 4/2008 Binderbauer et al.
 D571,204 S 6/2008 Sweeton
 D571,205 S 6/2008 Sweeton
 D571,206 S 6/2008 Sweeton
 D573,021 S 7/2008 Ohshima
 D573,463 S 7/2008 Ohshima
 D580,760 S 11/2008 Costa Quintas
 D581,269 S 11/2008 Alluigi
 D582,279 S 12/2008 Darr et al.
 D582,769 S 12/2008 Turchi
 D582,770 S 12/2008 Turchi
 D582,771 S 12/2008 Cantoni
 D583,233 S 12/2008 Cantoni et al.
 D583,669 S 12/2008 Seum et al.
 D584,623 S 1/2009 Chupak
 D584,958 S 1/2009 Schiesser
 7,478,739 B2 1/2009 Foster
 D587,137 S 2/2009 Hayden et al.
 D587,574 S 3/2009 Cantoni et al.
 D587,575 S 3/2009 Hildebrand et al.
 D588,004 S 3/2009 Hildebrand
 D588,454 S 3/2009 Sweeton et al.
 D588,456 S 3/2009 Dejong et al.
 D589,795 S 4/2009 Sweeton et al.
 D592,060 S 5/2009 Chupak
 D592,523 S 5/2009 Padain et al.
 D596,048 S 7/2009 Hayden et al.

D599,667 S 9/2009 Gedmin
 D601,897 S 10/2009 Contiero
 7,621,468 B2 11/2009 Smith et al.
 D609,109 S 2/2010 Gieske et al.
 D615,404 S 5/2010 Pitzer et al.
 D622,143 S * 8/2010 Hildebrand D9/448
 D623,942 S 9/2010 Alluigi
 D628,067 S 11/2010 Pearson et al.
 2004/0245208 A1 12/2004 Dennison
 2006/0113329 A1 * 6/2006 Walters et al. 222/383.1
 2006/0138176 A1 6/2006 Lasserre et al.
 2006/0186144 A1 8/2006 Tinsley
 2007/0119870 A1 5/2007 Lasserre et al.
 2007/0181606 A1 8/2007 Foster
 2007/0246481 A1 10/2007 Sweeton
 2008/0116222 A1 5/2008 Alluigi
 2008/0223881 A1 9/2008 Clynes
 2008/0272152 A1 11/2008 Alluigi
 2008/0315018 A1 12/2008 Withers
 2010/0059551 A1 3/2010 Tomkins et al.
 2010/0140299 A1 6/2010 Sweeton et al.
 2010/0276454 A1 11/2010 Espinoza et al.

FOREIGN PATENT DOCUMENTS

AU 319087 S 4/2008
 AU 329745 S 2/2010
 AU 329748 S 2/2010
 AU 333298 S 10/2010
 AU 333299 S 10/2010
 CA 63328 5/1989
 CA 122680 11/2007
 CA 122681 11/2007
 CA 122682 11/2007
 CA 127035 4/2009
 CN 3063181 9/1997
 CN 3111052 5/1999
 CN 3137597 2/2000
 CN 3156654 8/2000
 CN 3210188 11/2001
 CN 3215194 12/2001
 CN 3222810 2/2002
 CN 3235358 5/2002
 CN 3284305 3/2003
 CN 3301614 6/2003
 CN 3303072 6/2003
 CN 3304568 7/2003
 CN 3337844 11/2003
 CN 3376865 7/2004
 CN 3394313 9/2004
 CN 3493577 12/2005
 CN 3562225 9/2006
 CN 3568575 10/2006
 CN 3577289 11/2006
 CN 3592740 12/2006
 CN 3597485 1/2007
 CN 3612603 2/2007
 CN 3612604 2/2007
 CN 3623444 3/2007
 CN 3630671 4/2007
 CN 3677500 8/2007
 CN 300686372 9/2007
 CN 300695502 10/2007
 CN 300697895 10/2007
 CN 300812157 8/2008
 CN 300852463 11/2008
 CN 300899391 4/2009
 CN 300911974 4/2009
 CN 301019901 9/2009
 CN 301038099 10/2009
 CN 301127764 2/2010
 CN 301127772 2/2010
 CN 301408570 12/2010
 EM 001157853-0001 9/2010
 EM 001157853-0002 9/2010
 EM 001157853-0003 9/2010
 EM 001157853-0004 9/2010
 EM 001157853-0007 9/2010
 EM 001157853-0008 9/2010
 EM 001157853-0009 9/2010

US D661,187 S

Page 3

JP	D1117786	8/2001
JP	D1117787	8/2001
JP	D1131621	1/2002
JP	D1150200	8/2002
JP	D1150201	8/2002
JP	D1150211	8/2002
JP	D1150746	8/2002
JP	D1150756	8/2002
JP	D1150757	8/2002
JP	D1150758	8/2002
JP	D1150759	8/2002
JP	D1150867	8/2002
JP	D1165974	2/2003
JP	D1174015	5/2003
JP	D1174183	5/2003
JP	D1175381	6/2003
JP	D1187943	10/2003
JP	D1194037	1/2004
JP	D1199206	3/2004
JP	D1204914	5/2004
JP	D1270555	5/2006
JP	D1286454	11/2006
JP	D1286742	11/2006

JP	D1305668	7/2007
JP	D1325002	3/2008
JP	D1327148	4/2008
JP	D1327410	4/2008
JP	D1377762	1/2010
KR	914748	11/1991
KR	914749	11/1991
WO	WO2010013908 A2	2/2010
WO	WO2011030232 A1	3/2011

OTHER PUBLICATIONS

The Faceshop product page of a bottle and sprayer from blog.naver.com website [online] [retrieved on Jun. 4, 2011, 10 pages. Retrieved from <URL: http://blog.naver.com/PostPrint.nhn?blogId=annasui_kiss&logNo=10022234362>.

The Faceshop product pages of a bottle and sprayer from ebay.com website [online] [retrieved Jul. 11, 2001], 3 pages. Retrieved from <URL: <http://cgi.ebay.com/The-Face-Shop-Jewel-Therapy-Deep-Care-Serum-80ml-/170617927651>>.

* cited by examiner

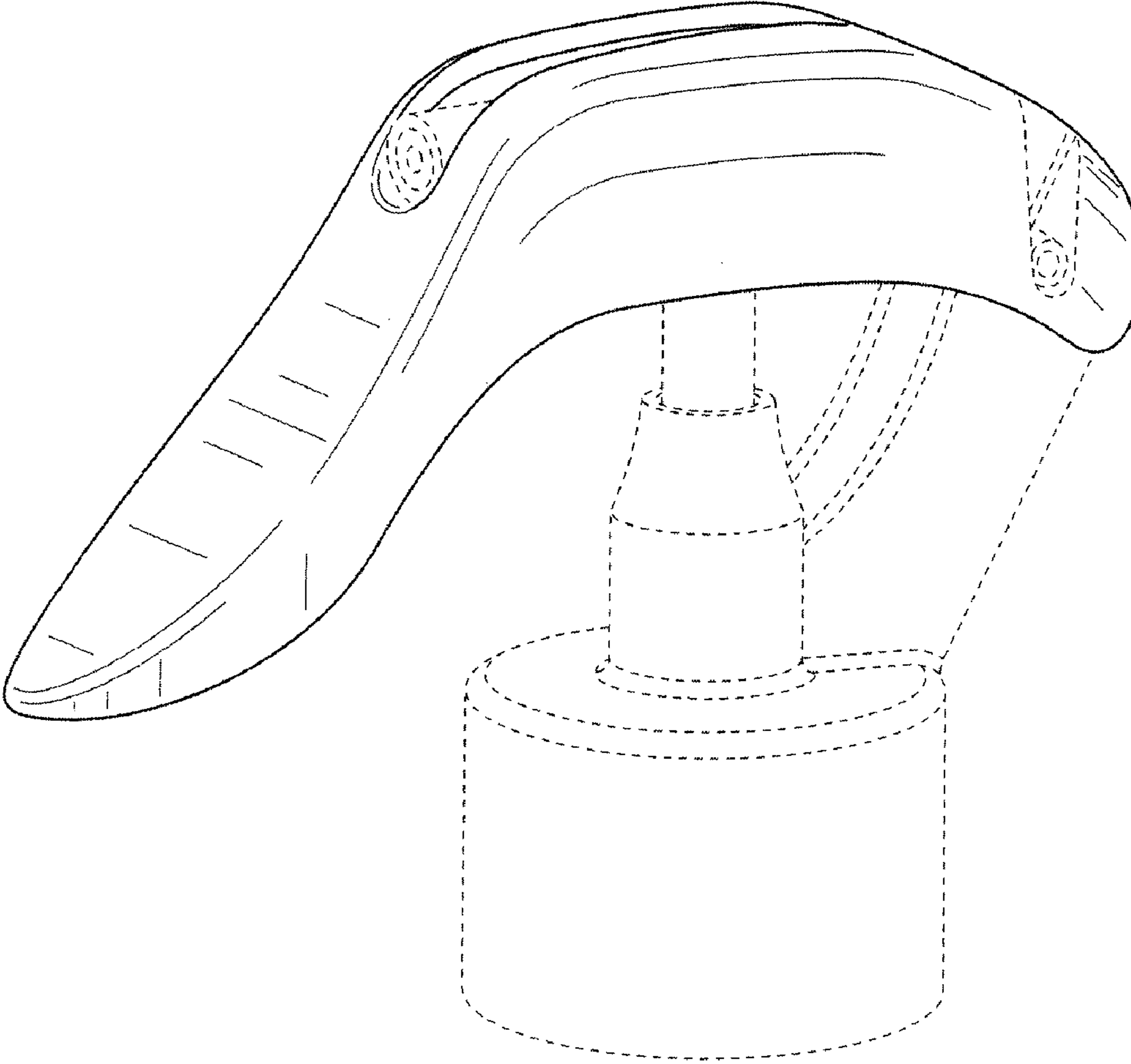


FIG. 1

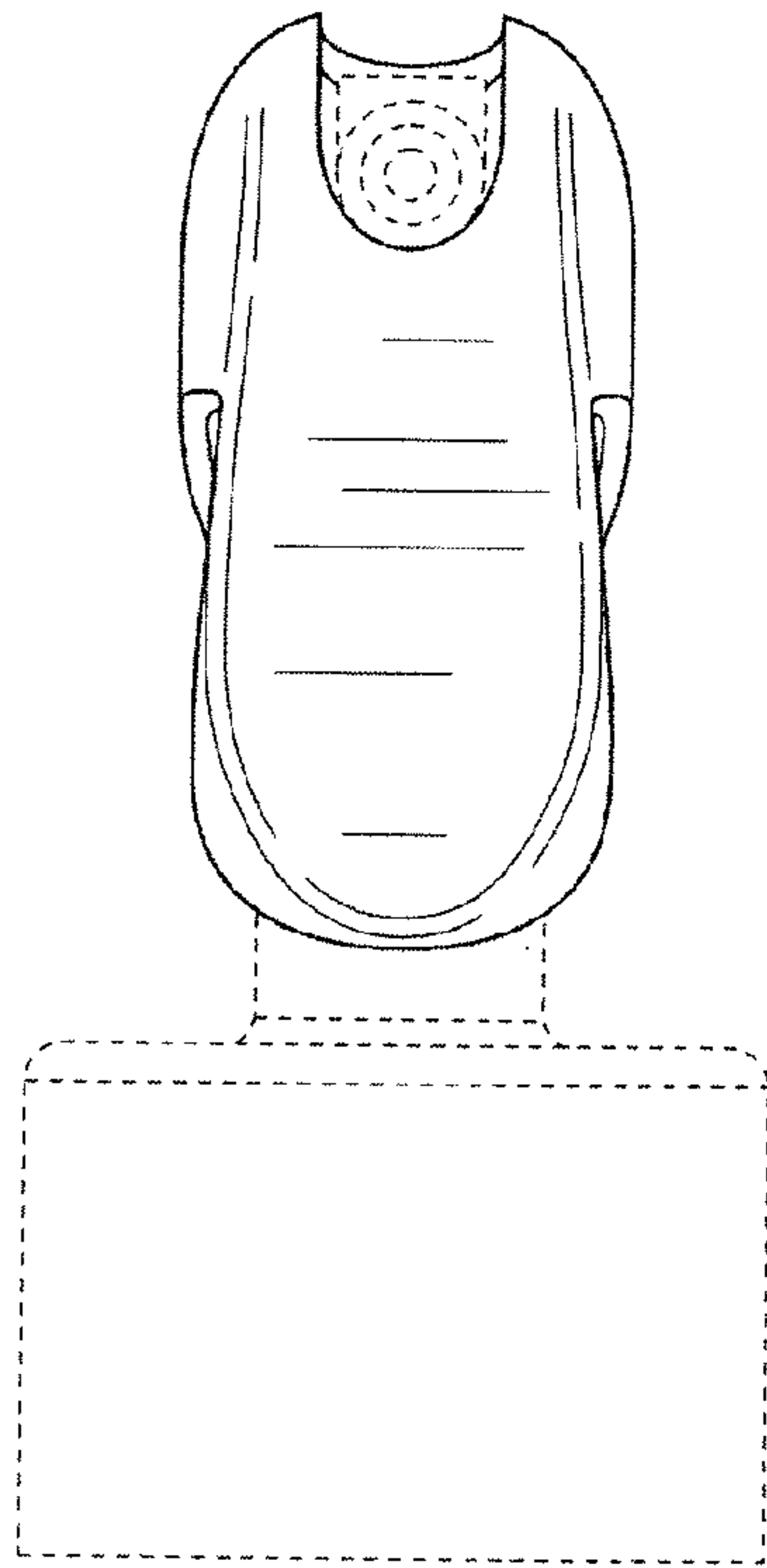


FIG. 2

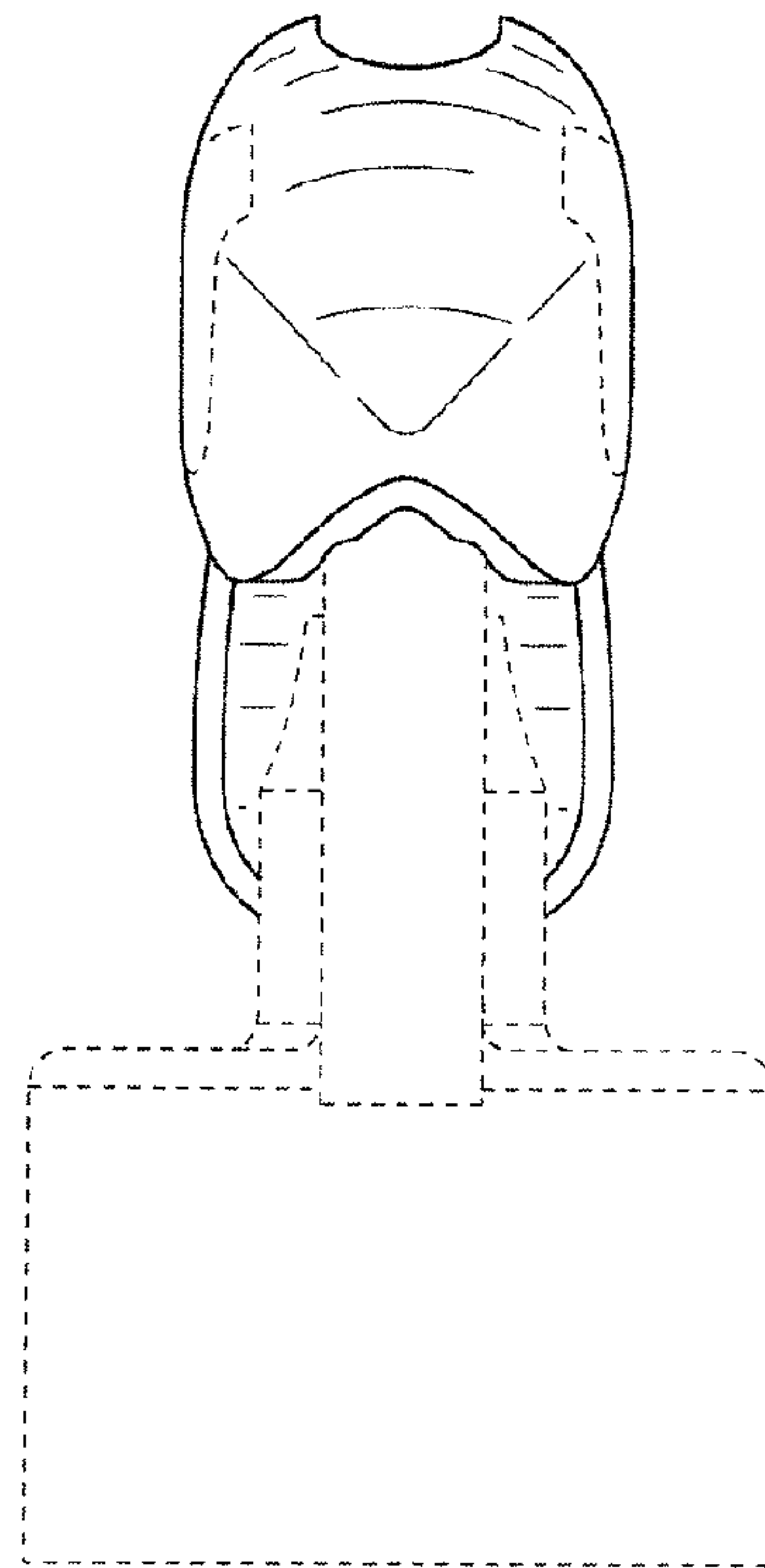


FIG. 3

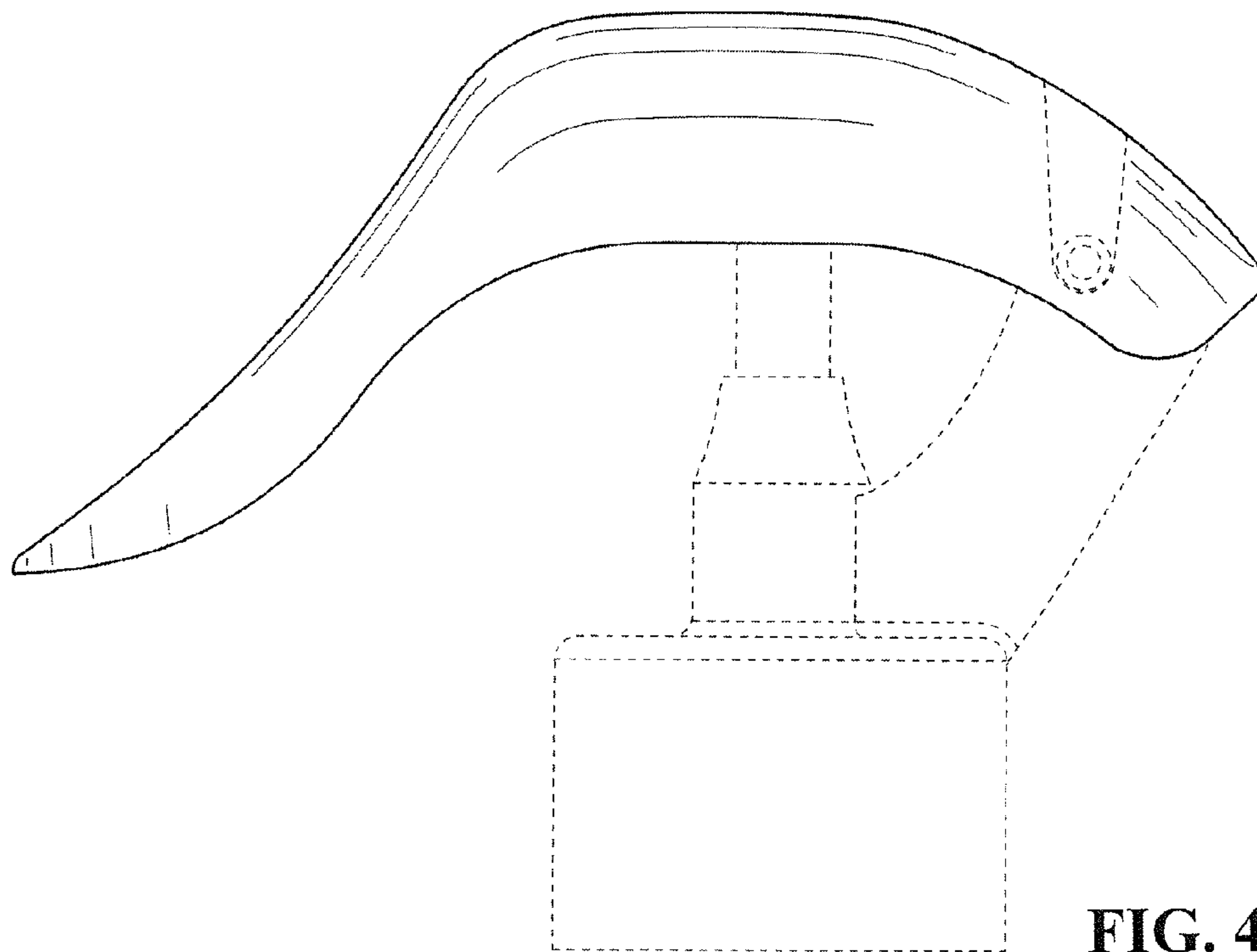


FIG. 4

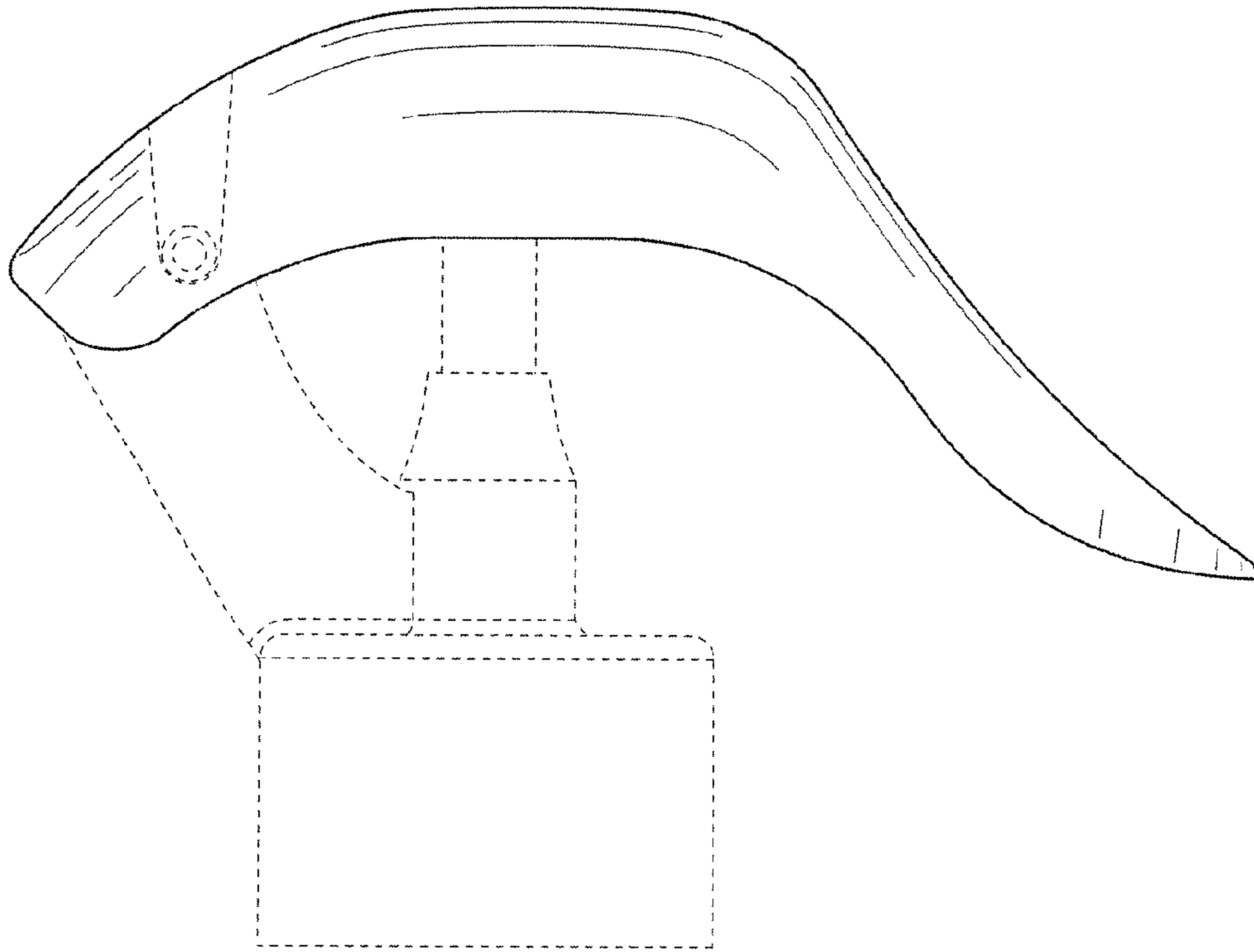


FIG. 5

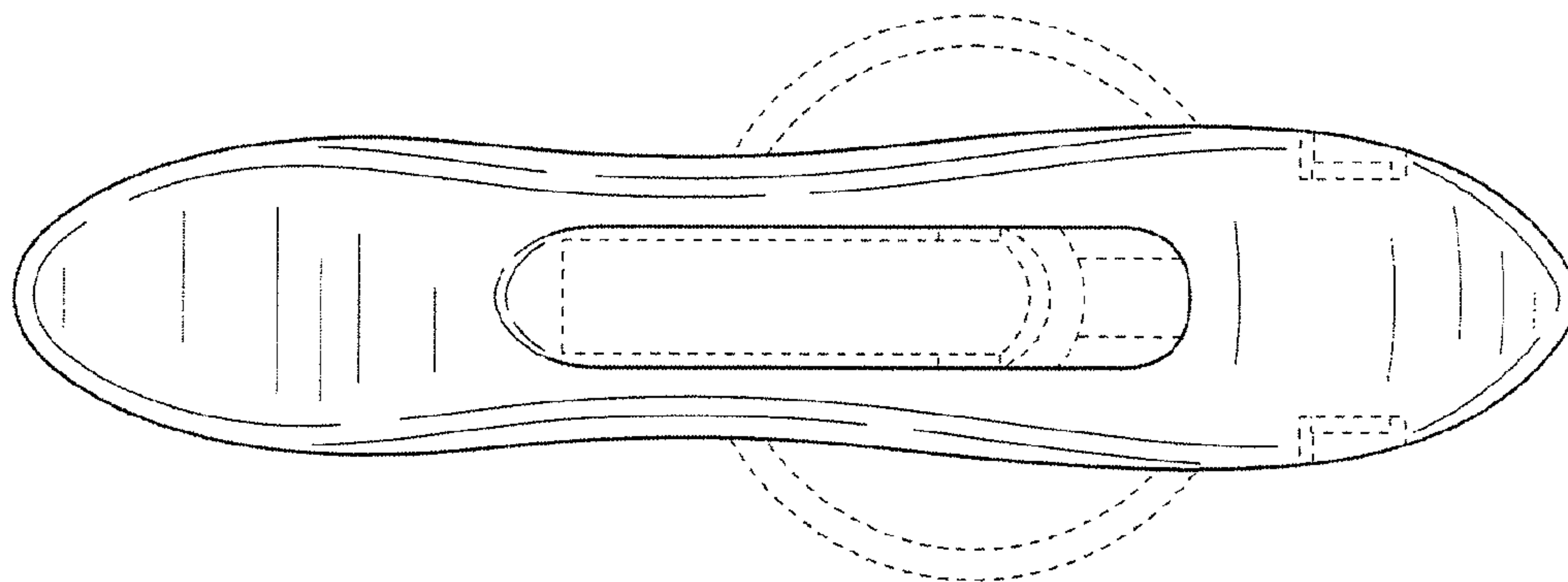


FIG. 6