

US00D661186S

(12) **United States Design Patent**
Snyder

(10) **Patent No.:** **US D661,186 S**
(45) **Date of Patent:** **** Jun. 5, 2012**

(54) **DRINK LID WITH CONDIMENT WELL**

(56) **References Cited**

(76) **Inventor:** **Robert George Snyder**, Woodstock, GA
(US)

U.S. PATENT DOCUMENTS

D536,923 S * 2/2007 Roth et al. D7/392.1
D634,192 S * 3/2011 Mueller D9/436
2008/0011762 A1* 1/2008 Boone 220/713
* cited by examiner

(**) **Term:** **14 Years**

Primary Examiner — Susan Bennett Hattan
(74) *Attorney, Agent, or Firm* — Rodgers & Rodgers

(21) **Appl. No.:** **29/372,156**

(57) **CLAIM**
The ornamental design for a drink lid with condiment well, as shown and described.

(22) **Filed:** **Oct. 25, 2010**

DESCRIPTION

(51) **LOC (9) Cl.** **09-07**

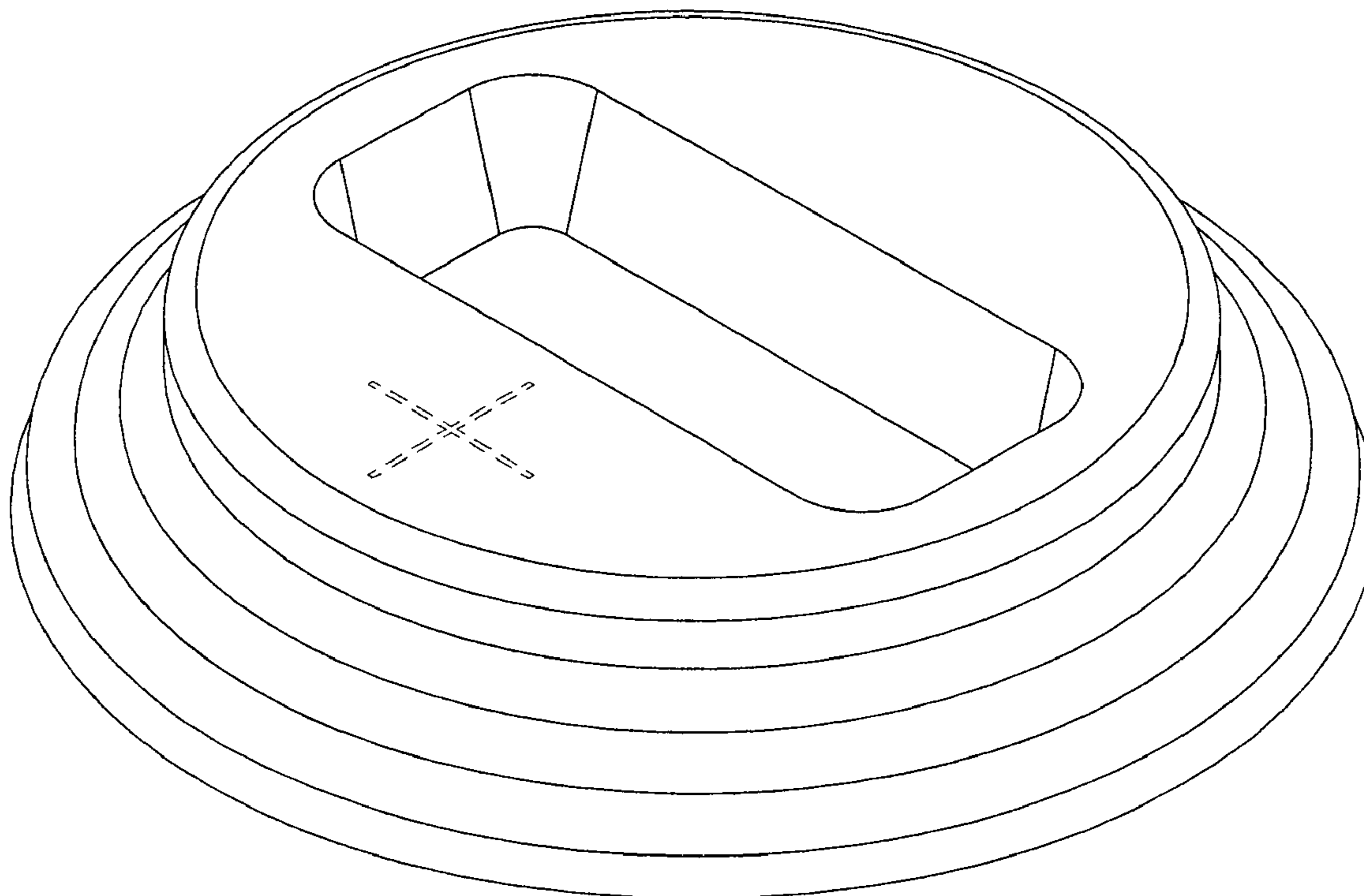
(52) **U.S. Cl.** **D9/436; 435/454; 435/447**

(58) **Field of Classification Search** D9/772,
D9/454, 450, 449, 447, 438, 436, 435, 434;
D7/396.2, 392.1; 220/713, 711, 703, 377,
220/273, 270, 256.1, 254.1

FIG. 1 is a perspective view of a drink lid with condiment well showing my new design;
FIG. 2 is a top plan view thereof;
FIG. 3 is a bottom plan view thereof; and,
FIG. 4 is an elevational view of the rear, front, left and right sides thereof.
The broken lines in the drawings depict perforations.

See application file for complete search history.

1 Claim, 4 Drawing Sheets



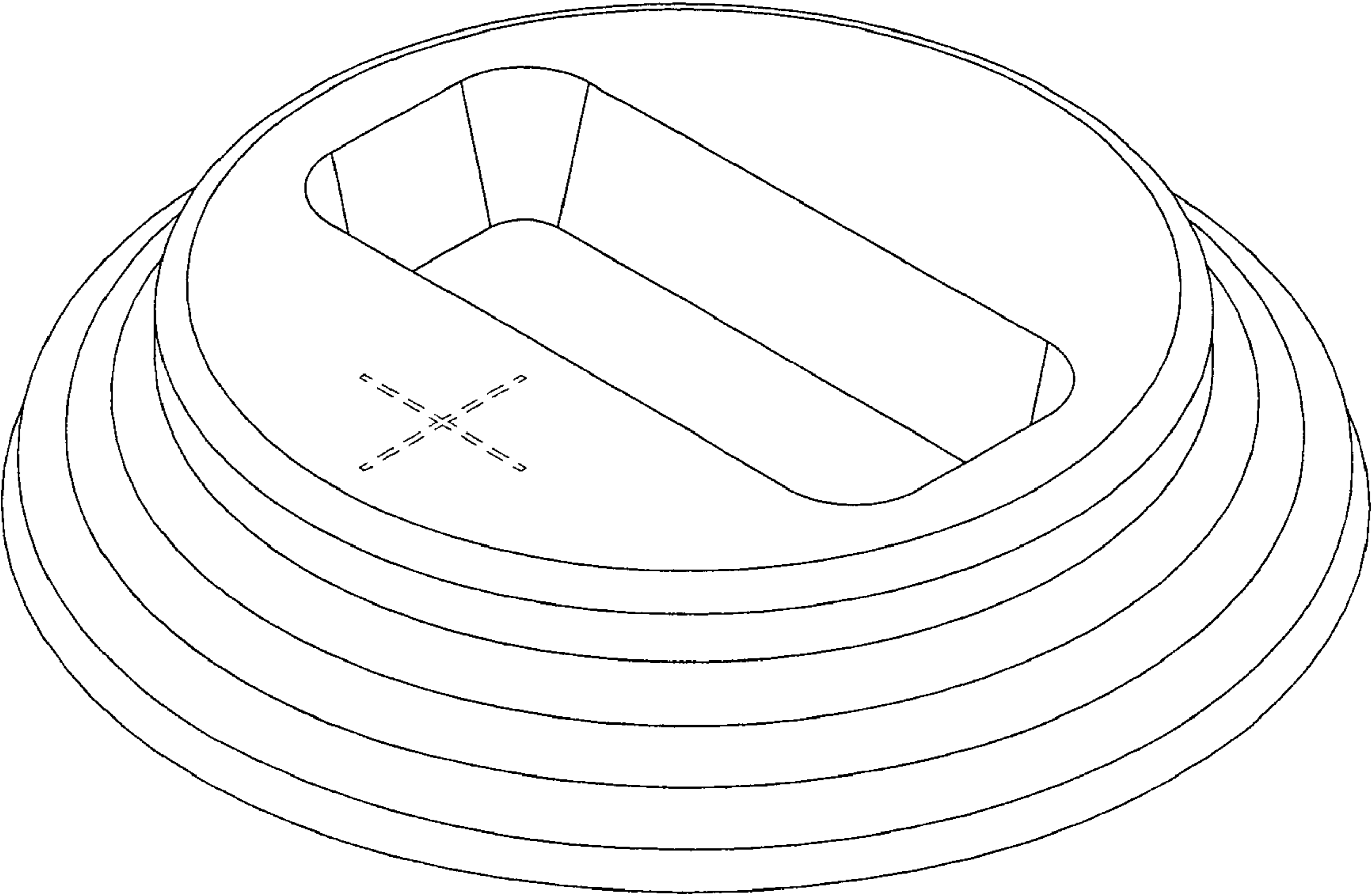


FIG. 1

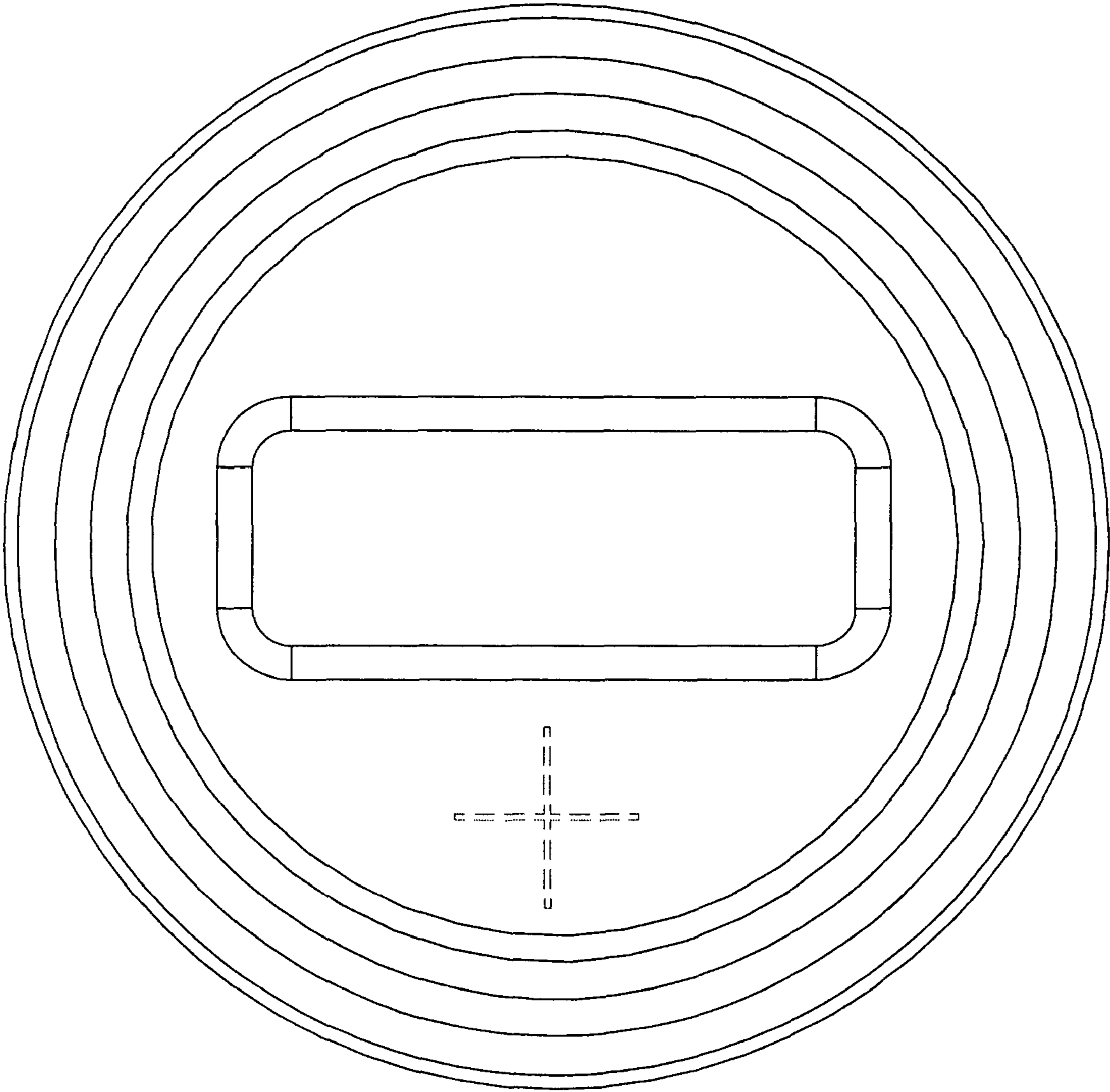


FIG. 2

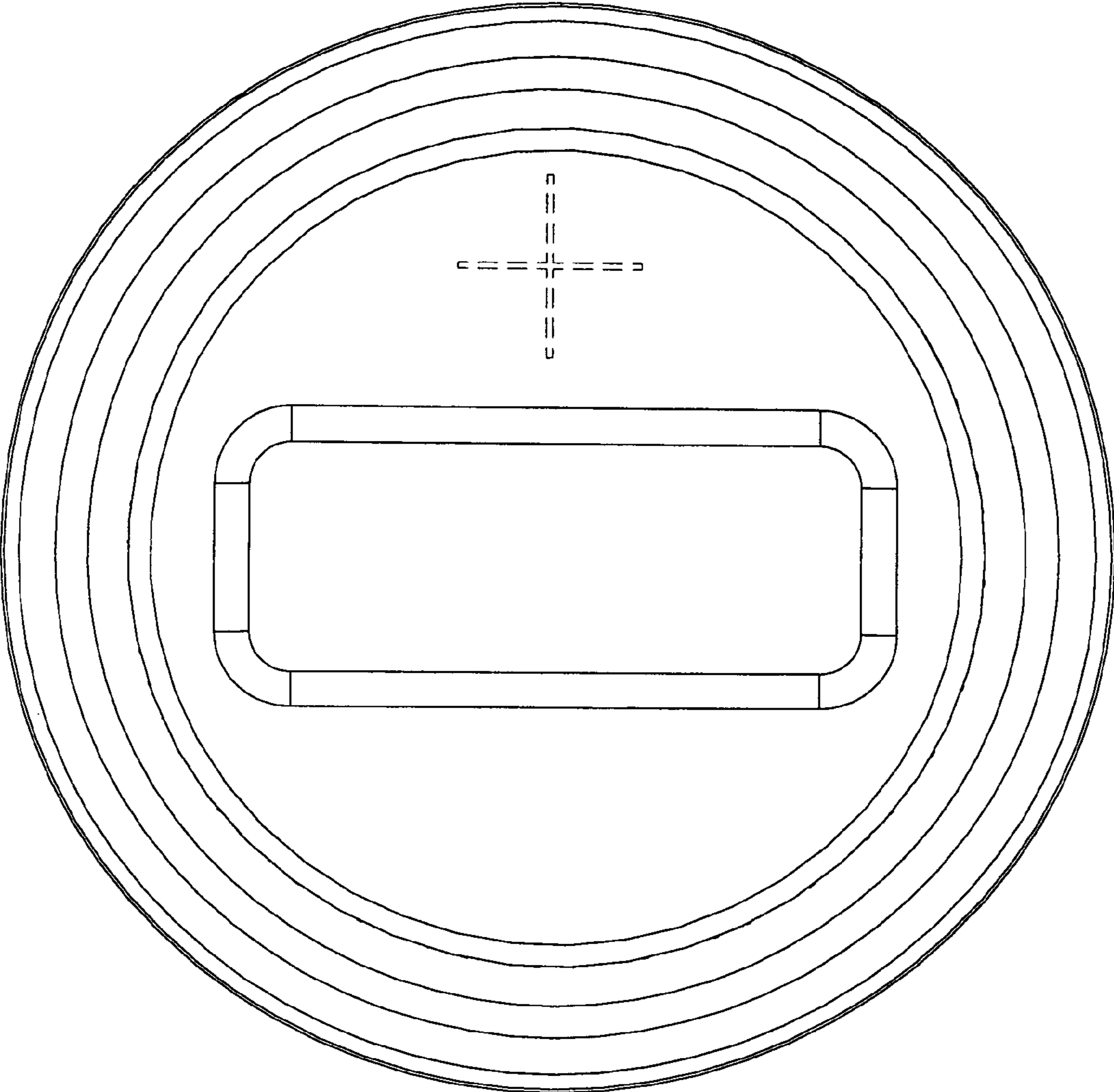


FIG. 3

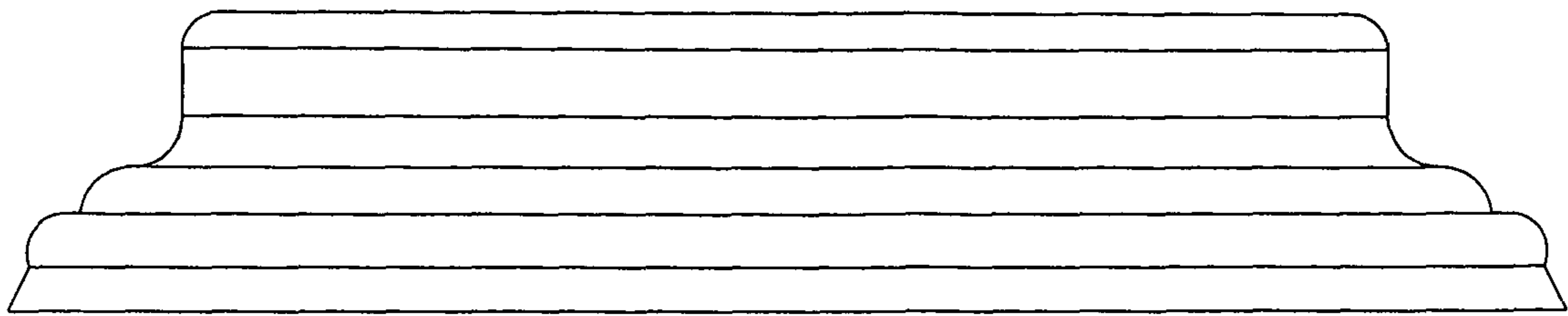


FIG. 4