



US00D661185S

(12) **United States Design Patent**
Battat

(10) **Patent No.:** **US D661,185 S**

(45) **Date of Patent:** **** Jun. 5, 2012**

(54) **CAP FOR CONTAINERS**

(75) **Inventor:** **Thomas Battat**, San Francisco, CA (US)

(73) **Assignee:** **Liberty Gold Fruit Company, Inc.**,
South San Francisco, CA (US)

(**) **Term:** **14 Years**

(21) **Appl. No.:** **29/364,235**

(22) **Filed:** **Jun. 21, 2010**

(51) **LOC (9) Cl.** **09-07**

(52) **U.S. Cl.** **D9/435**

(58) **Field of Classification Search** D9/435,
D9/708, 709, 705, 629, 451-454, 447, 445,
D9/443, 439, 438; D7/571, 567, 354, 396.2;
D24/224, 197; 222/566, 525; 220/288; 215/329,
215/328, 256, 252, 238, 222; 116/308
See application file for complete search history.

(56) **References Cited**

U.S. PATENT DOCUMENTS

D319,979 S	9/1991	Johnson	
5,201,440 A *	4/1993	Gross	222/153.07
D467,501 S *	12/2002	Tacchella	D9/451
D522,859 S	6/2006	Lukan	
D547,657 S *	7/2007	Tacchella	D9/454
D577,585 S	9/2008	Carnduff et al.	
D617,187 S *	6/2010	Murray	D9/435

7,771,991 B2	8/2010	Bossi et al.	
D635,023 S	3/2011	Stolle	
D635,026 S *	3/2011	Stolle	D9/449
D642,056 S *	7/2011	Brown et al.	D9/452
D644,518 S *	9/2011	Howell et al.	D9/521
2005/0178785 A1	8/2005	Erickson	
2009/0049806 A1 *	2/2009	Peacop et al.	53/556

* cited by examiner

Primary Examiner — Cynthia Underwood

(74) *Attorney, Agent, or Firm* — Shook, Hardy & Bacon L.L.P.

(57) **CLAIM**

The ornamental design for a cap for containers, as shown and described.

DESCRIPTION

FIG. 1 is a bottom perspective view of a cap for containers of the present invention;

FIG. 2 is a top plan view thereof;

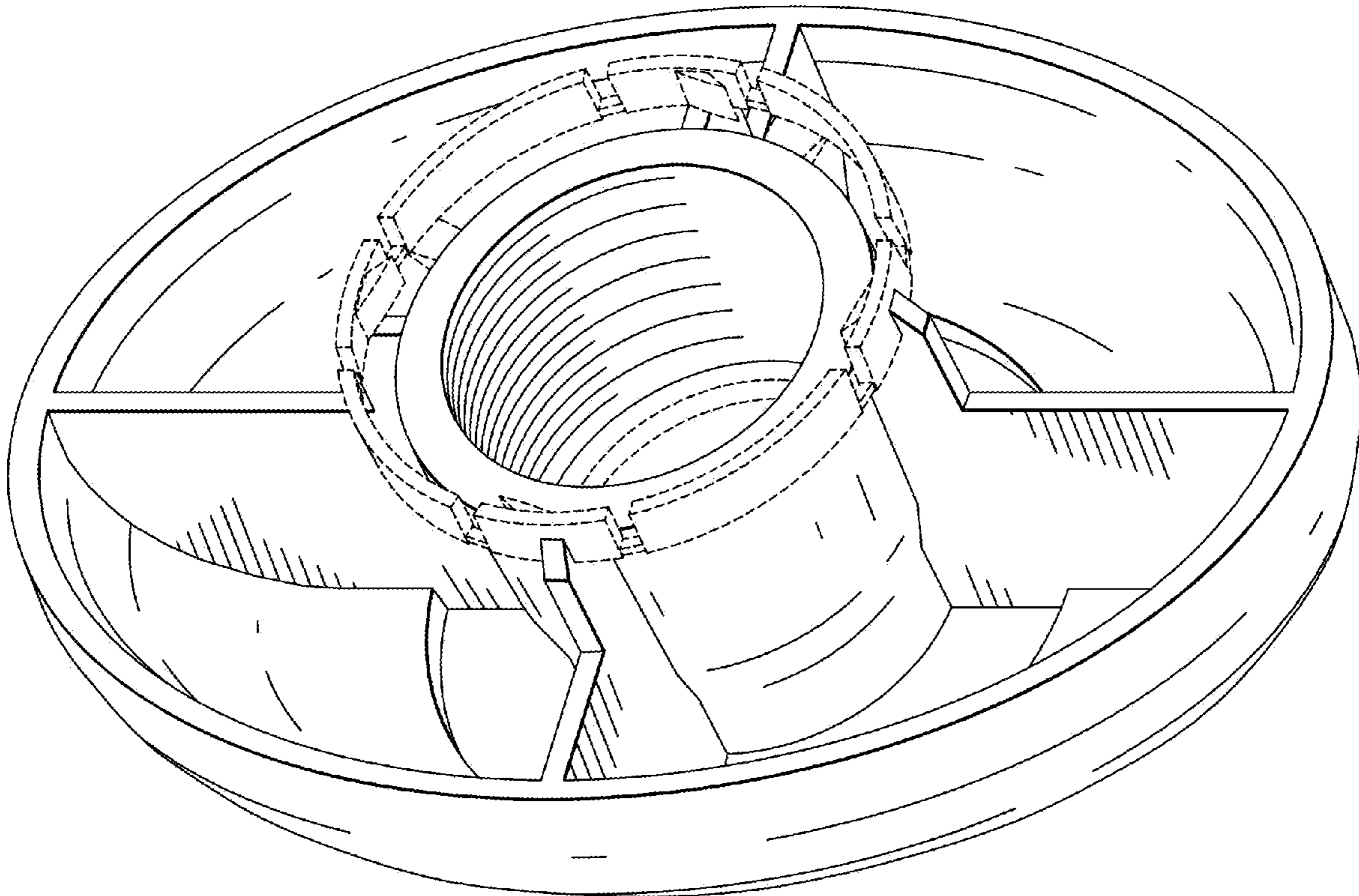
FIG. 3 is a bottom plan view thereof;

FIG. 4 is a right side plan view thereof, the left side being the same view; and,

FIG. 5 is a front side plan view thereof, the back side being the same view.

The broken lines represent portions of the structure that form no part of the claim.

1 Claim, 3 Drawing Sheets



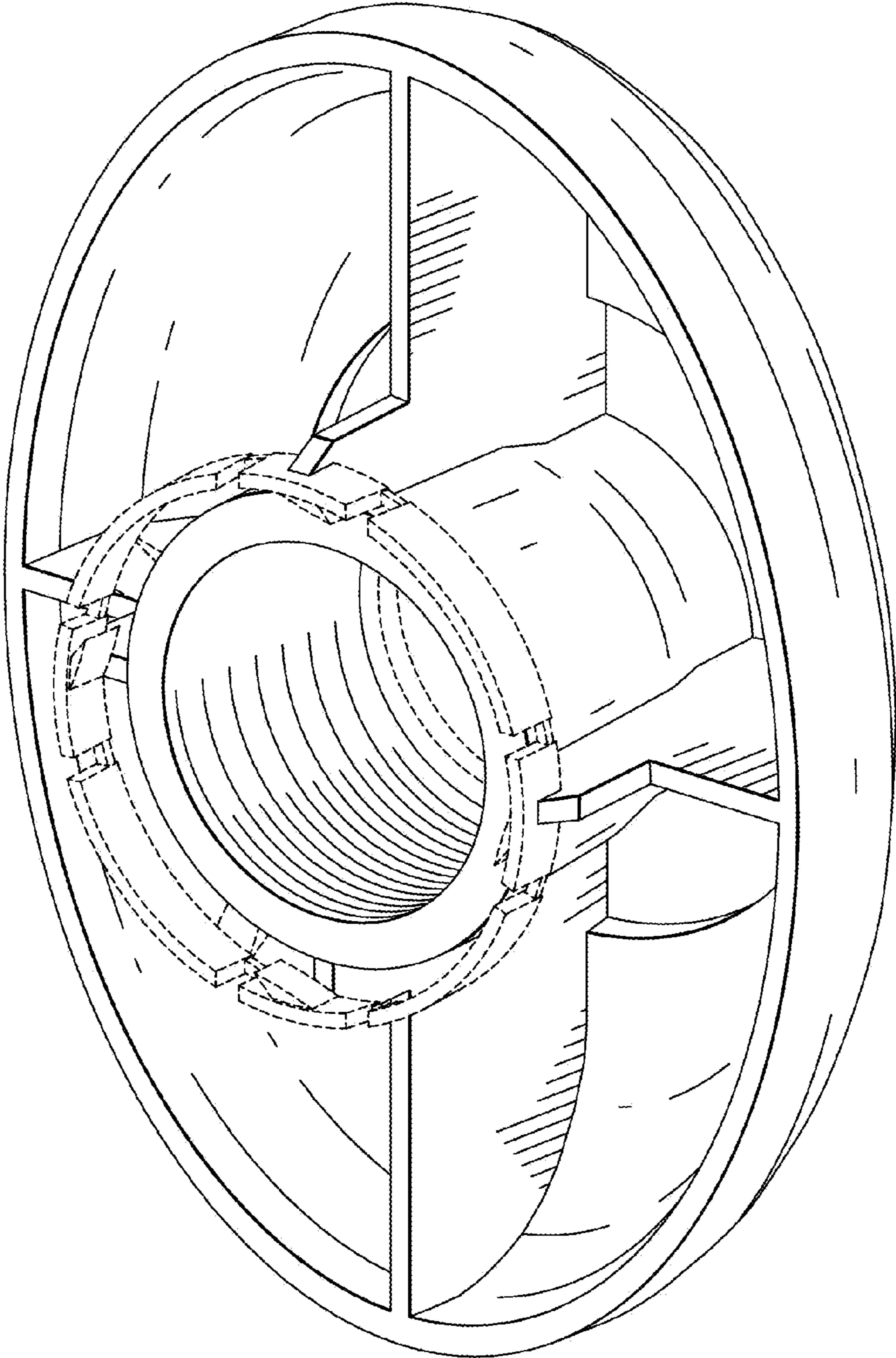


FIG. 1

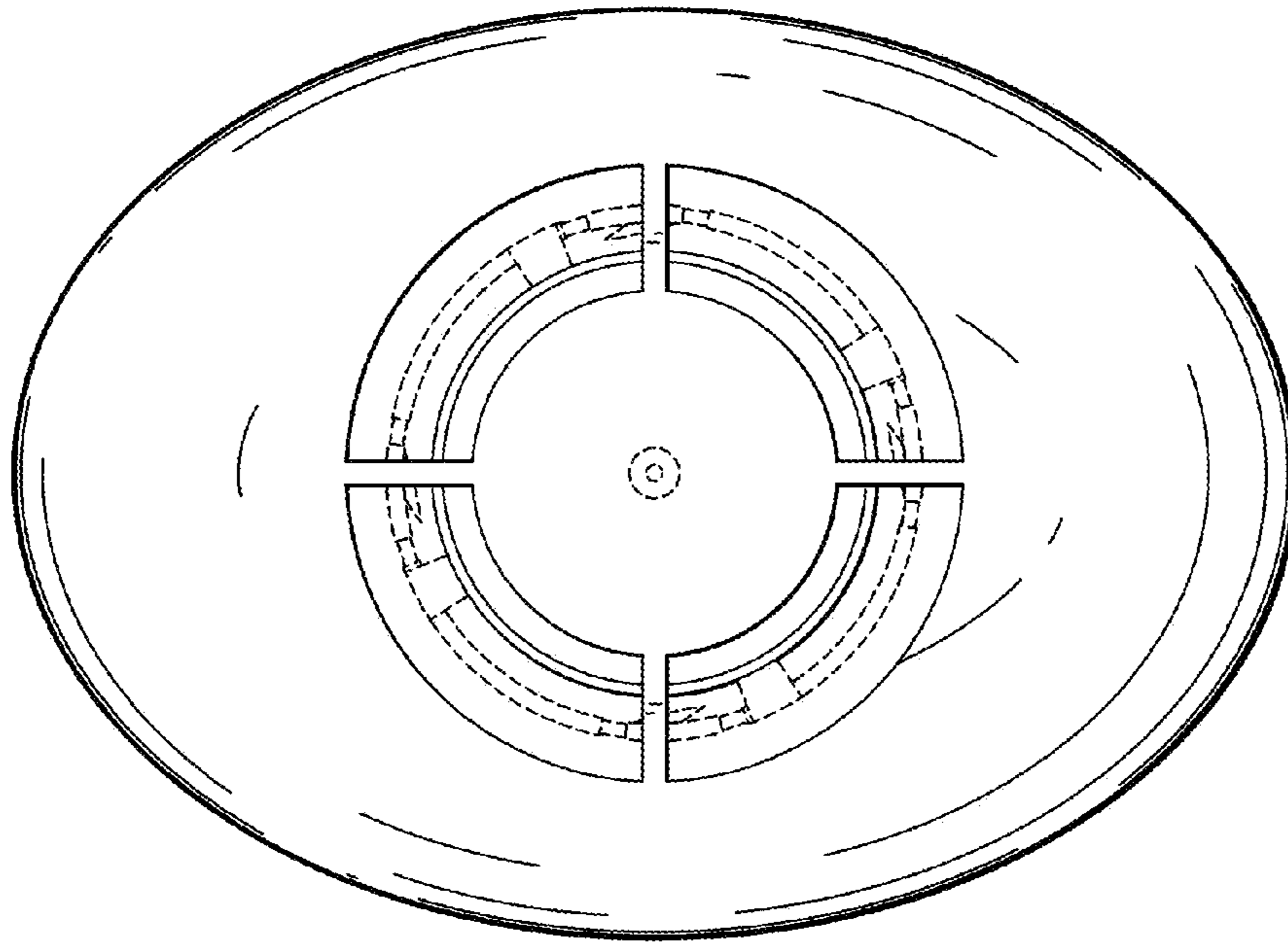


FIG. 2

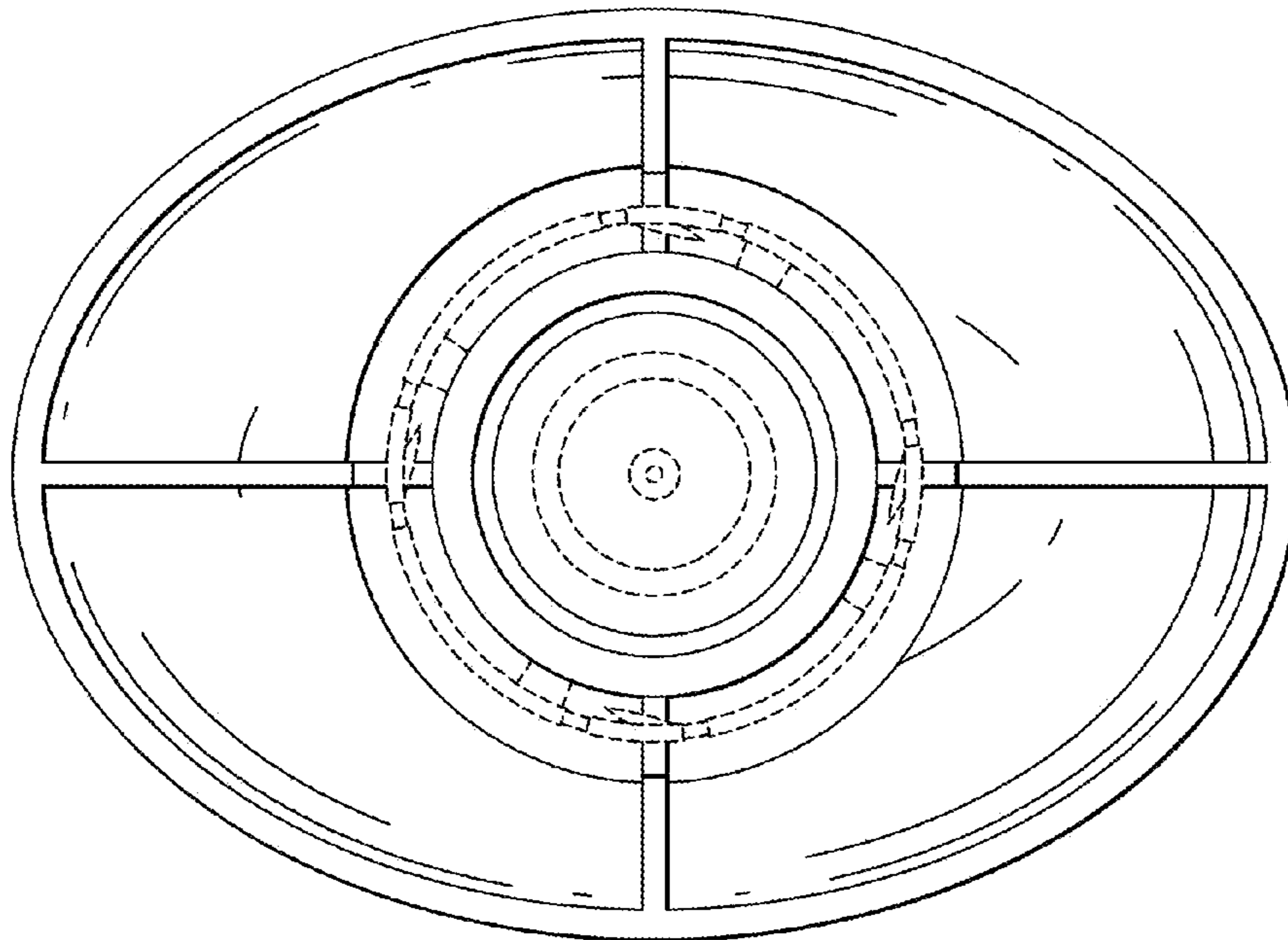


FIG. 3

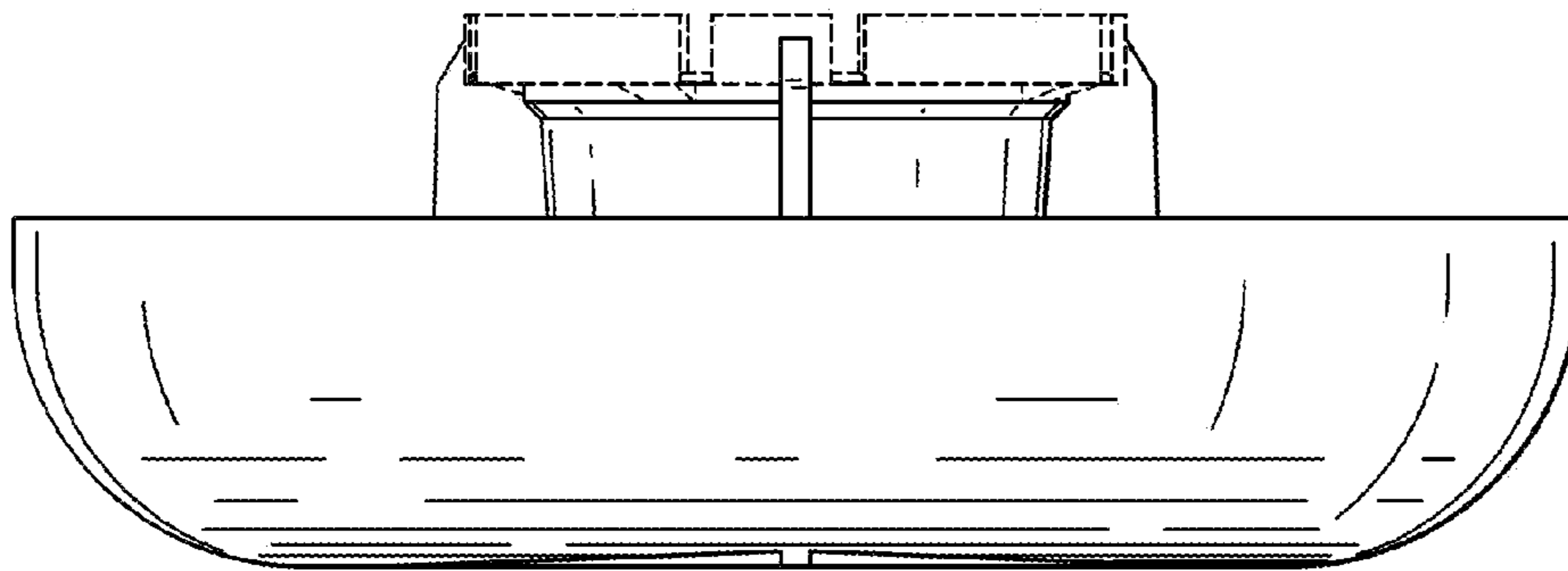


FIG. 4

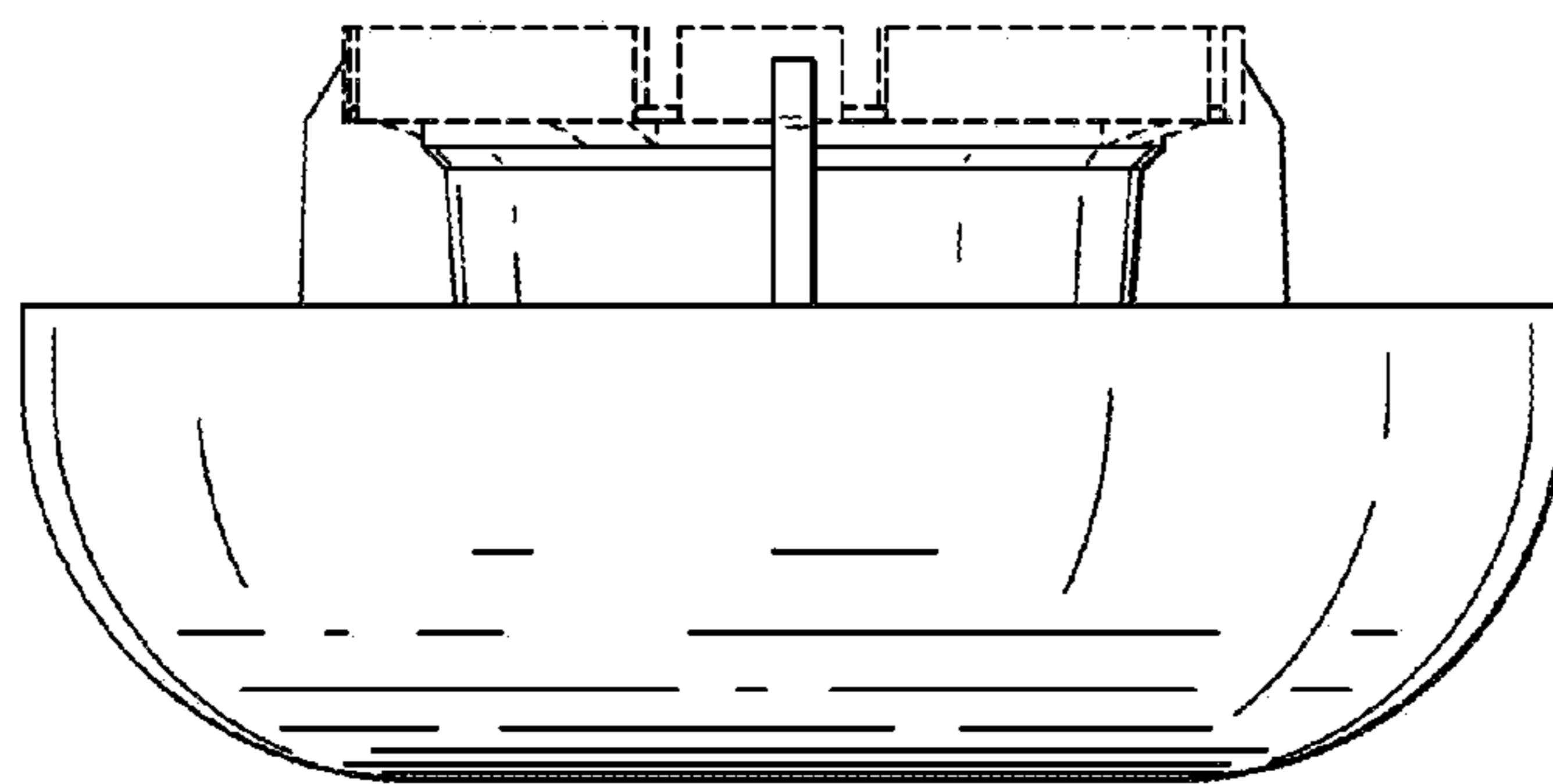


FIG. 5