



US00D661181S

(12) **United States Design Patent**
Ranieri et al.

(10) **Patent No.:** **US D661,181 S**
(45) **Date of Patent:** **** Jun. 5, 2012**

(54) **CUTLERY SHEATH**

(75) Inventors: **Laura Ranieri**, Palatine, IL (US); **John Chap**, Woodridge, IL (US); **Nicholas S. Blair**, Whitefish Bay, WI (US); **Charles L. Lasky**, Grafton, WI (US); **Scott H. Micoley**, Cedarburg, WI (US)

(73) Assignee: **WKI Holding Company, Inc.**, Rosemont, IL (US)

(**) Term: **14 Years**

(21) Appl. No.: **29/404,194**

(22) Filed: **Oct. 17, 2011**

Related U.S. Application Data

(63) Continuation of application No. 29/344,396, filed on Sep. 29, 2009, now Pat. No. Des. 648,621.

(51) **LOC (9) Cl.** **09-03**

(52) **U.S. Cl.** **D9/415**

(58) **Field of Classification Search** D9/718, D9/722, 414, 415, 434, 455, 457, 499; D8/349, D8/354, 373; 206/206-212, 277, 349-383, 206/385, 477-484, 214, 575, 581, 1.9, 703, 206/443, 446, 461-471, 475, 780, 781, 806; 211/13.1, 60.1, 70.1, 70.6; D3/220

See application file for complete search history.

(56) **References Cited**

U.S. PATENT DOCUMENTS

D184,600 S * 3/1959 Carlson D8/373
D205,769 S * 9/1966 Beckwith D3/220
D250,824 S * 1/1979 Bowers D3/220
D272,412 S * 1/1984 Shanklin D8/343
4,450,961 A * 5/1984 Bies et al. 206/349

D274,600 S * 7/1984 Pepper D8/373
5,291,996 A * 3/1994 Linden 206/349
5,477,964 A * 12/1995 Hart 206/349
D429,461 S * 8/2000 Rowlay D9/415
6,409,015 B1 * 6/2002 Hu 206/378
D495,596 S * 9/2004 Trettin D9/415
7,624,865 B2 * 12/2009 Pendergraph et al. 206/379
2003/0034316 A1 * 2/2003 Kao 211/70.6

FOREIGN PATENT DOCUMENTS

WO d023833-001 * 11/1992

* cited by examiner

Primary Examiner — Catherine Tuttle

(74) *Attorney, Agent, or Firm* — McDermott Will & Emery LLP

(57) **CLAIM**

We claim the ornamental design for a cutlery sheath, as shown and described.

DESCRIPTION

FIG. 1 is a perspective view of a cutlery sheath according to the new design;
FIG. 2 is a front view of the cutlery sheath shown in FIG. 1;
FIG. 3 is a rear view of the cutlery sheath shown in FIG. 1;
FIG. 4 is a right side view of the cutlery sheath shown in FIG. 1;
FIG. 5 is a left side view of the cutlery sheath shown in FIG. 1;
FIG. 6 is a top view of the cutlery sheath shown in FIG. 1; and,
FIG. 7 is a bottom view of the cutlery sheath shown in FIG. 1.
The broken lines shown in FIGS. 1-3 and 7 are included for the purpose of illustrating portions of the cutlery sheath that form no part of the claimed design.

1 Claim, 3 Drawing Sheets

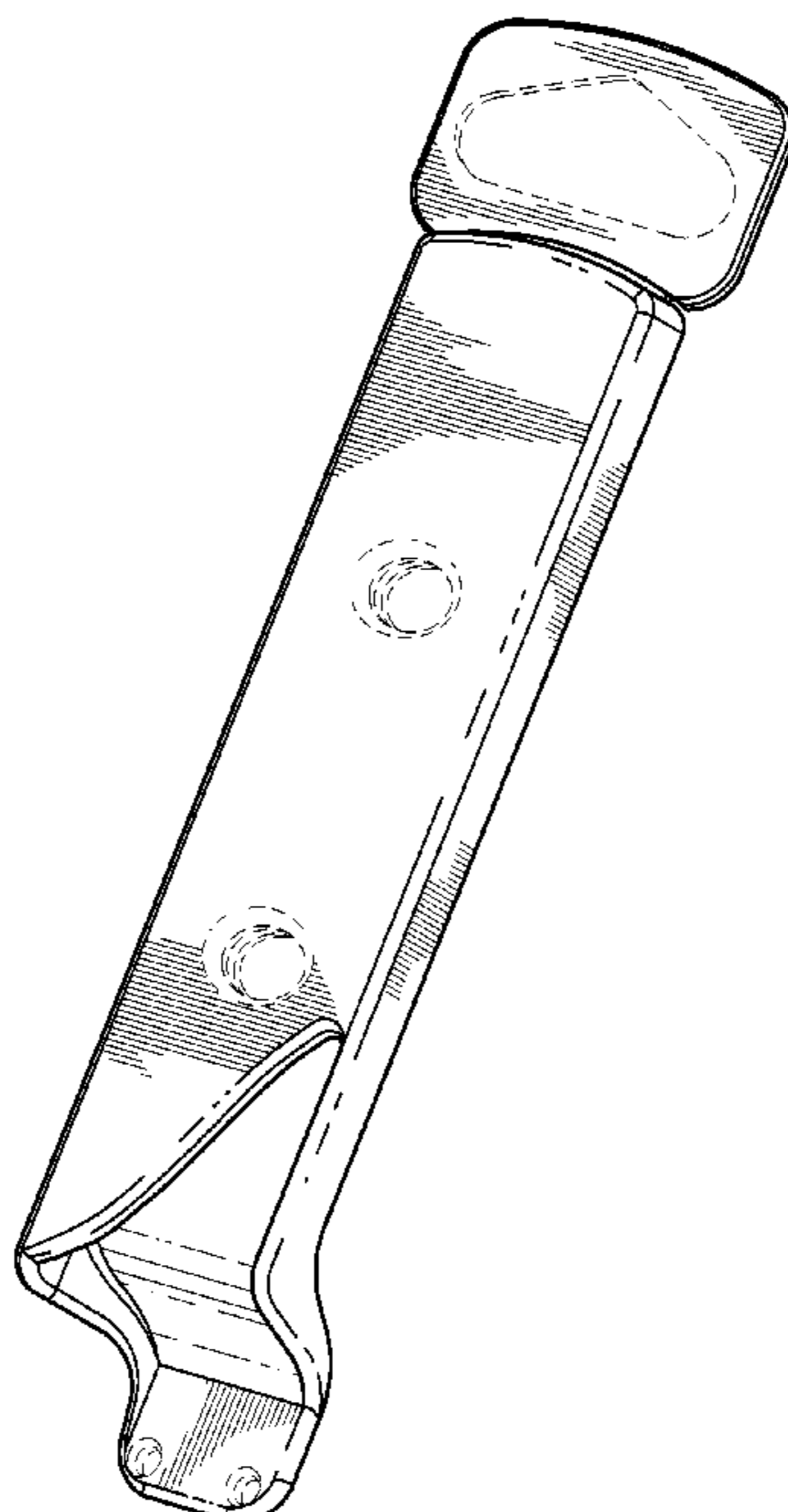


FIG. 1

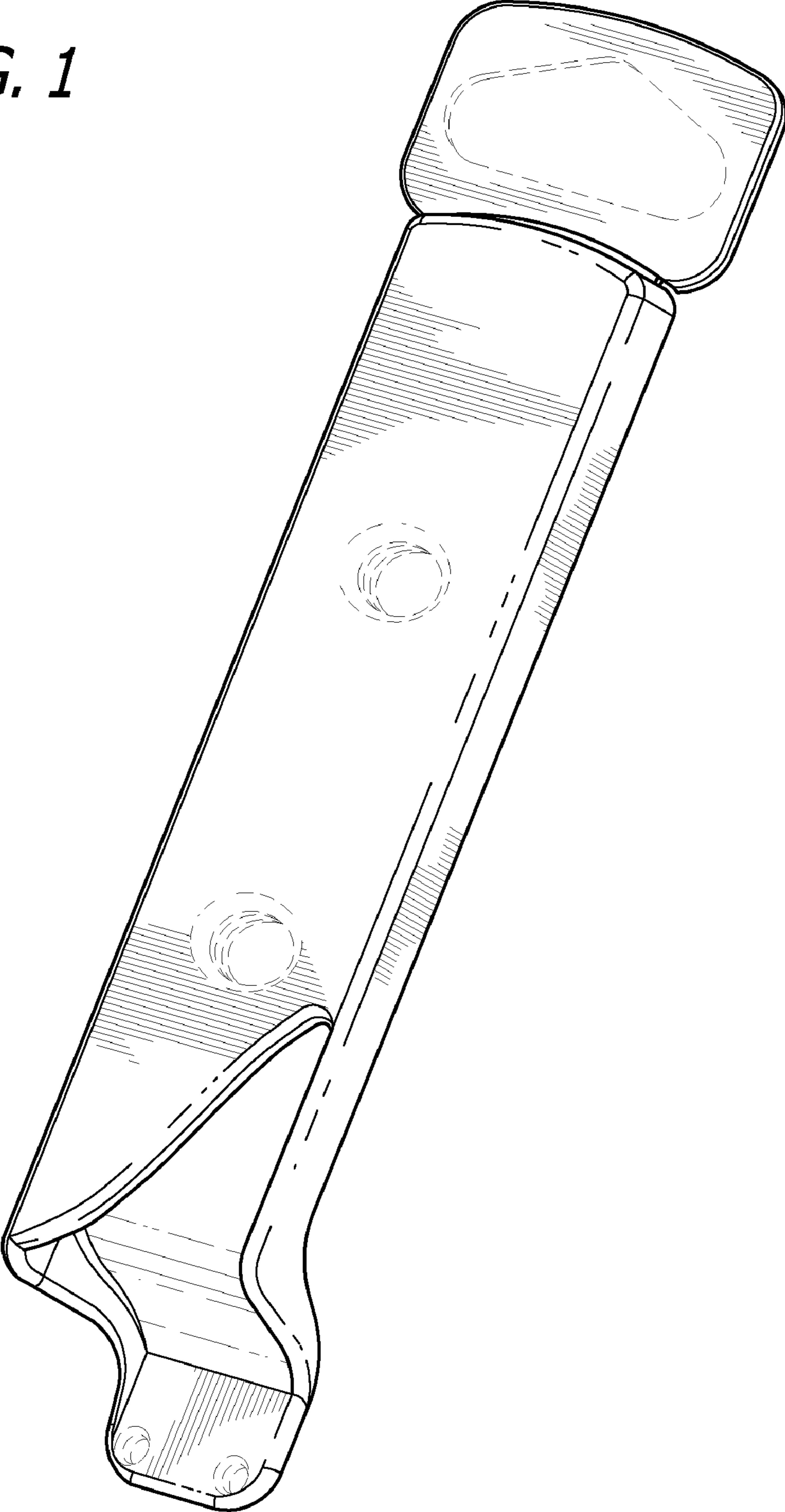


FIG. 2

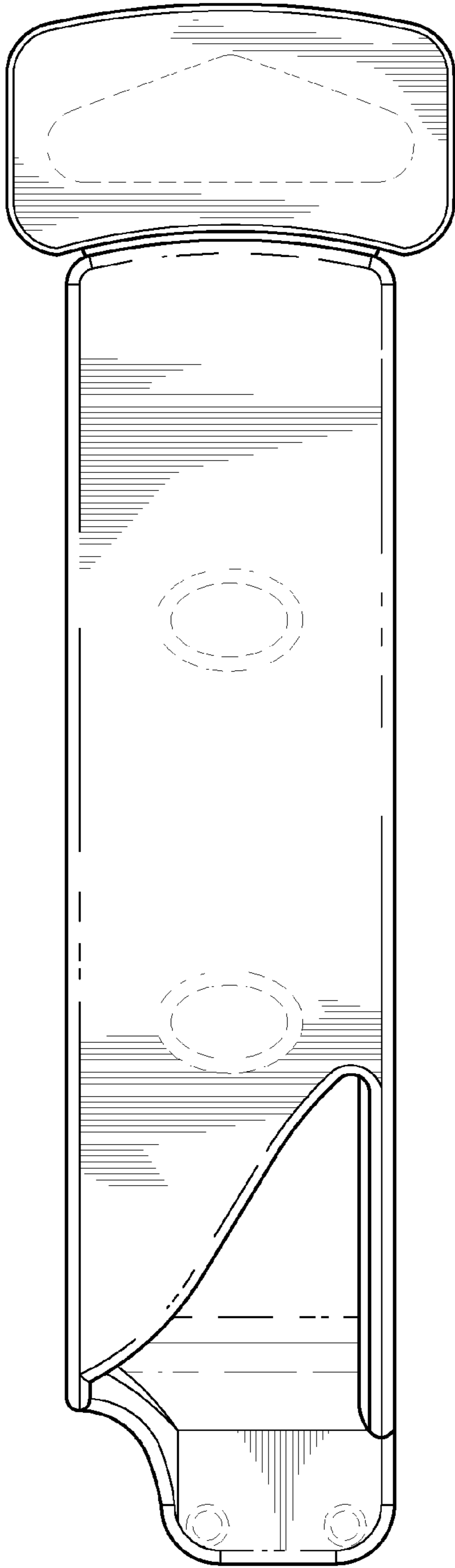


FIG. 3

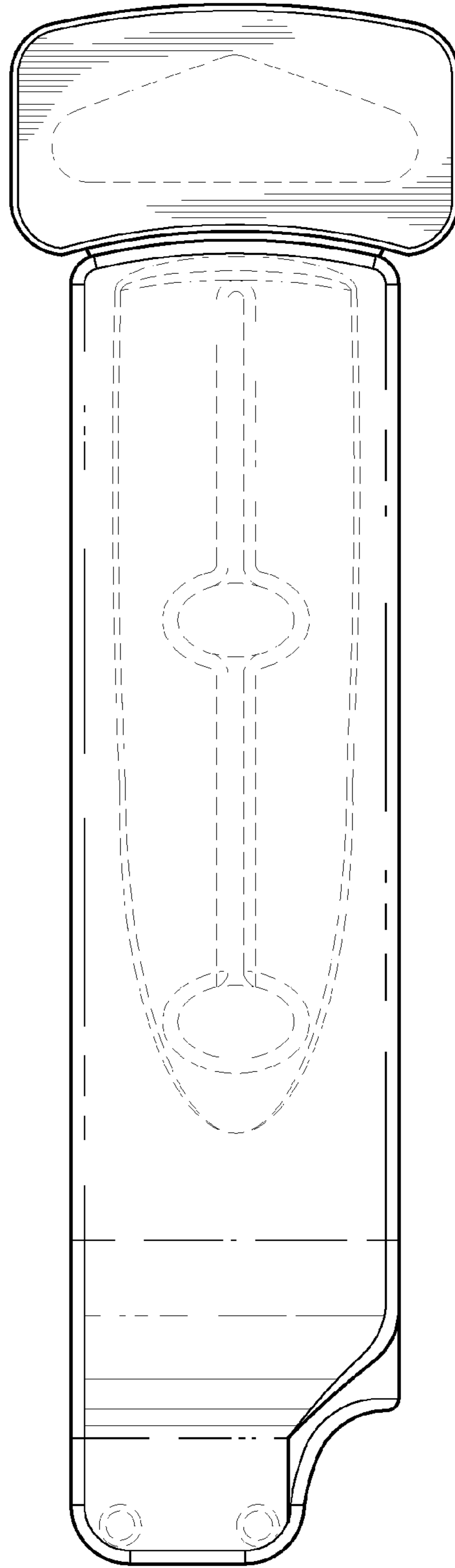


FIG. 4

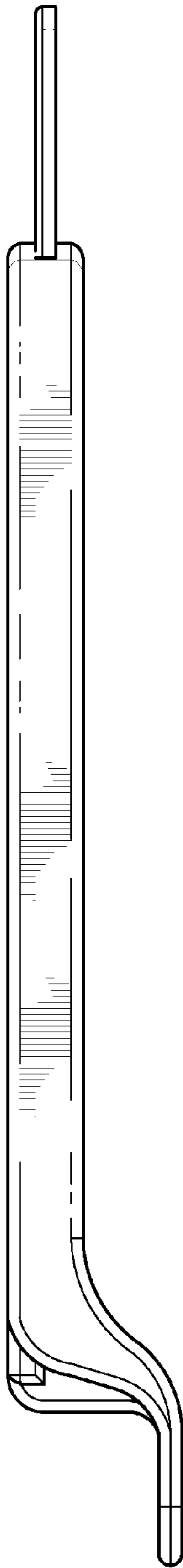


FIG. 5

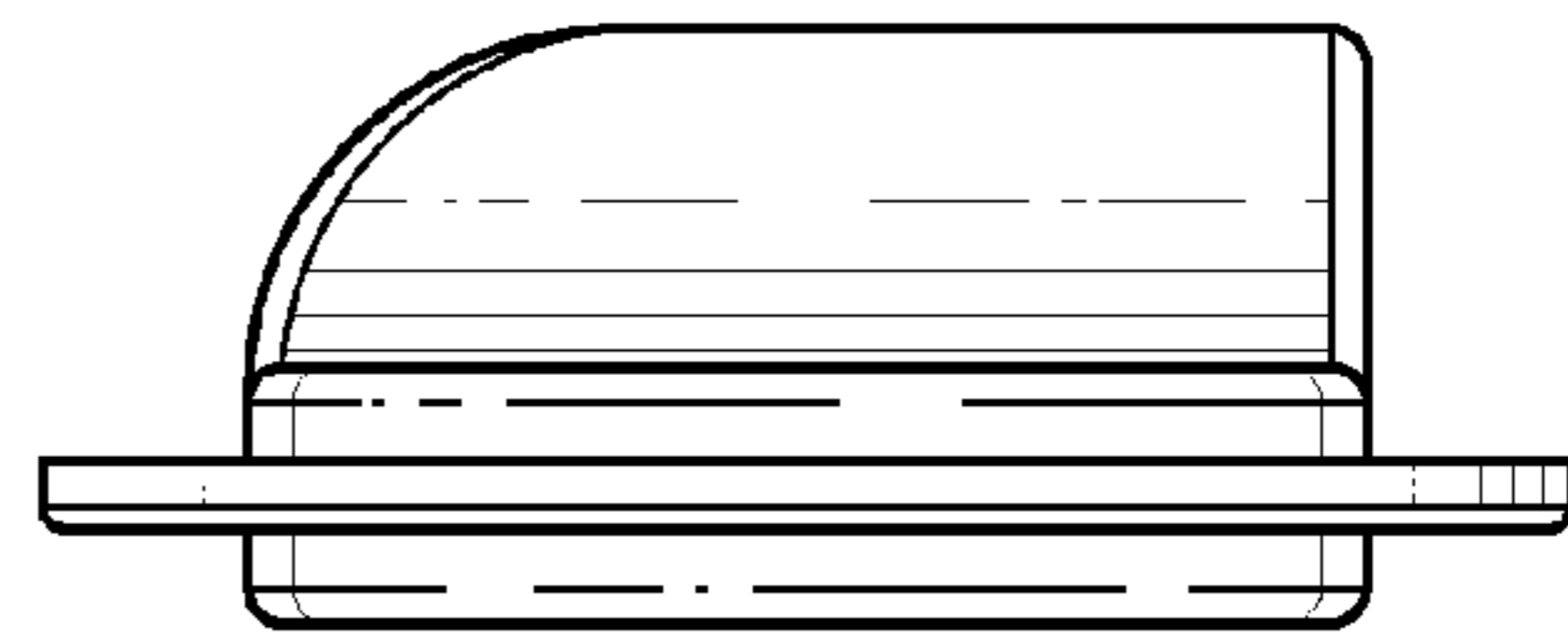
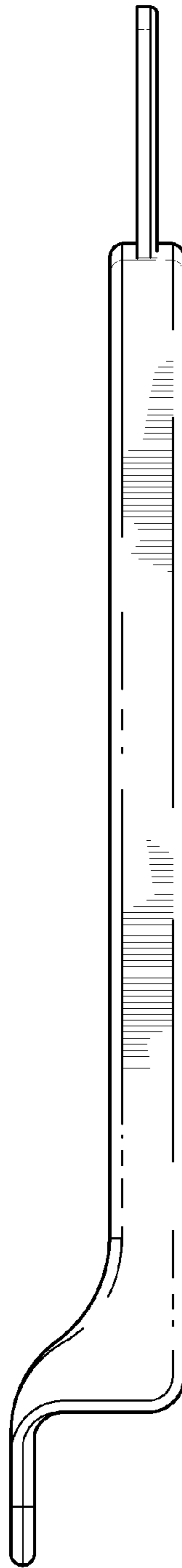


FIG. 6

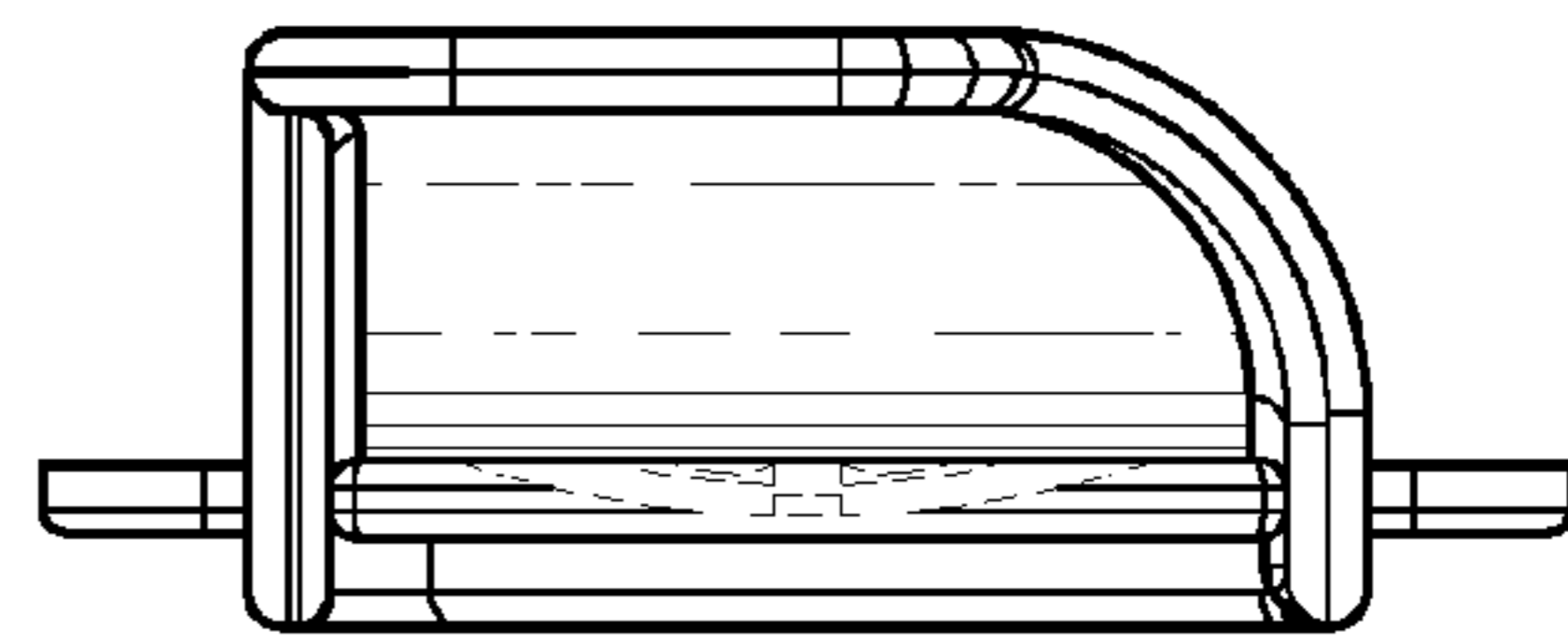


FIG. 7