

US00D661178S

(12) **United States Design Patent**
Adams et al.

(10) **Patent No.:** **US D661,178 S**
(45) **Date of Patent:** **** Jun. 5, 2012**

(54) **FOOT FOR MOLDED PLASTIC FURNITURE**

(75) Inventors: **William E. Adams**, Portersville, PA
(US); **Wililam E. Adams, IV**,
Zelienople, PA (US)

(73) Assignee: **Adams Mfg. Corp.**, Portersville, PA
(US)

(**) Term: **14 Years**

(21) Appl. No.: **29/405,227**

(22) Filed: **Oct. 31, 2011**

(51) **LOC (9) Cl.** **08-05**

(52) **U.S. Cl.** **D8/374**

(58) **Field of Classification Search** D8/374;
248/188.2, 188.9, 346.01, 346.11

See application file for complete search history.

(56) **References Cited**

U.S. PATENT DOCUMENTS

1,591,550	A	7/1926	Rosenthal	
1,789,974	A	1/1931	Grant	
1,843,261	A	2/1932	Bales	
1,917,601	A	7/1933	Schermerhorn	
2,728,166	A	12/1955	Molla	
2,968,116	A	1/1961	Arenson	
3,643,290	A *	2/1972	Milne	16/2.1

4,752,652	A *	6/1988	Danti et al.	174/83
4,912,285	A *	3/1990	Falciglia	174/83
D361,709	S *	8/1995	Fortenbery	D8/349
D517,900	S *	3/2006	Goldenberg et al.	D8/354
D636,656	S *	4/2011	Schaefer et al.	D8/354

OTHER PUBLICATIONS

Budwig Molded Products Sales Brochure—Admitted Prior Art.
Rubber Edging—Custom Rubber Corp. Site Search Product Samples
of Molded Rubber Bumper Bolt 2011.

* cited by examiner

Primary Examiner — Holly Baynham

(74) *Attorney, Agent, or Firm* — Buchanan Ingersoll &
Rooney PC

(57) **CLAIM**

The ornamental design for a foot for molded plastic furniture,
as shown and described.

DESCRIPTION

FIG. 1 is a front perspective view of our foot for molded
plastic furniture:

FIG. 2 is a top view thereof:

FIG. 3 is a front view thereof:

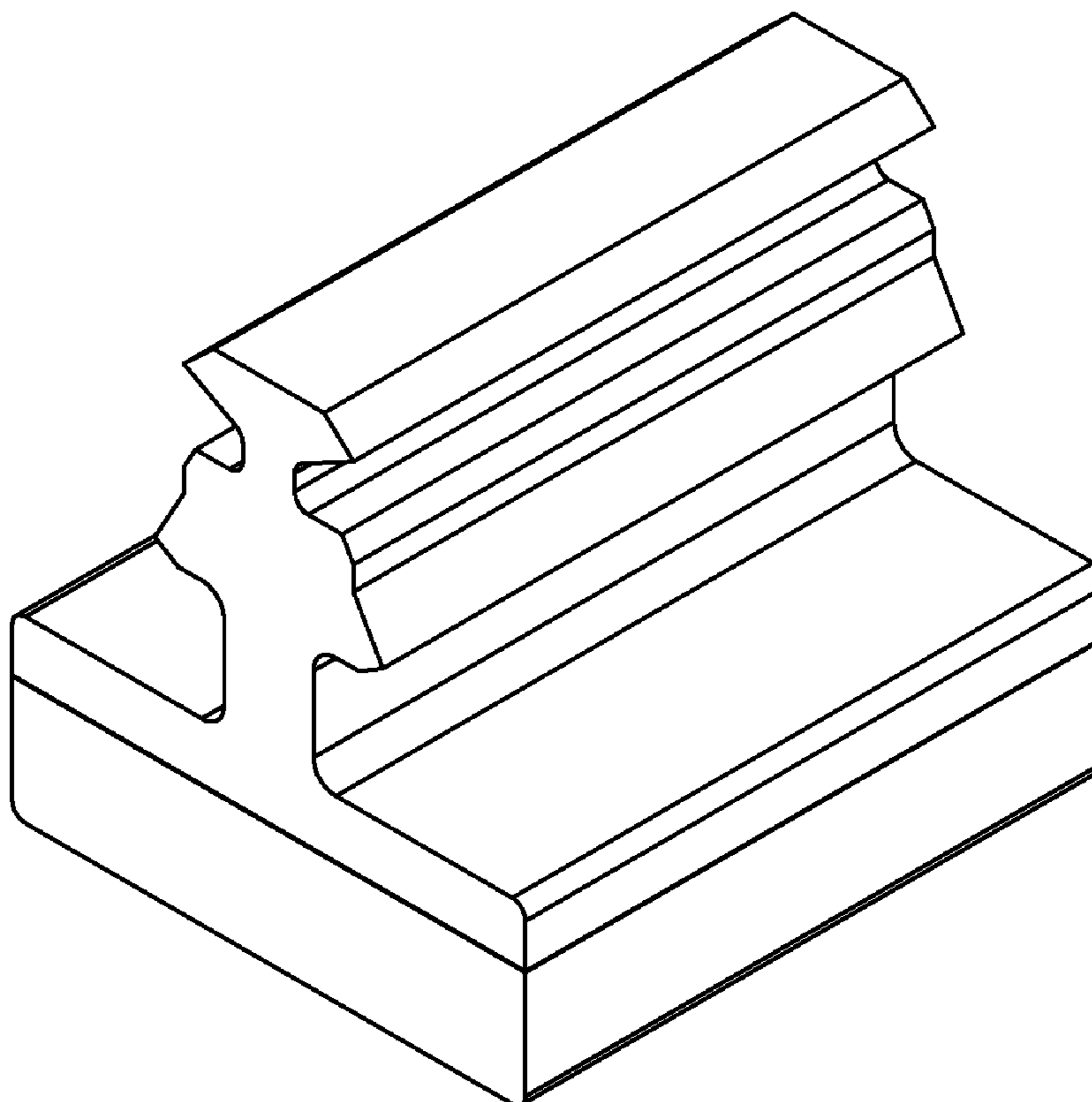
FIG. 4 is a left side view thereof;

FIG. 5 is a right side view thereof:

FIG. 6 is a rear view thereof; and,

FIG. 7 is a bottom view thereof.

1 Claim, 4 Drawing Sheets



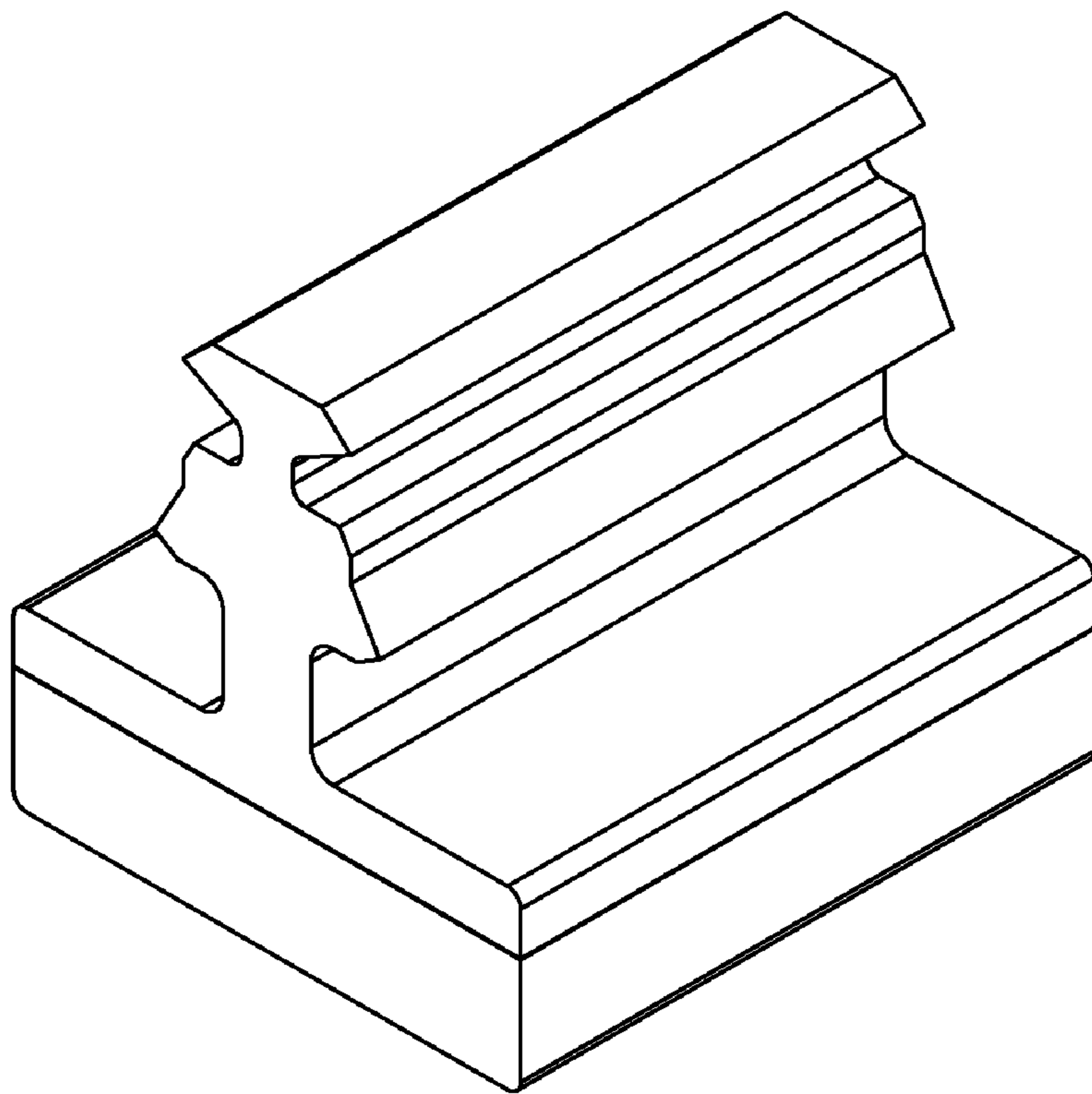


FIG. 1

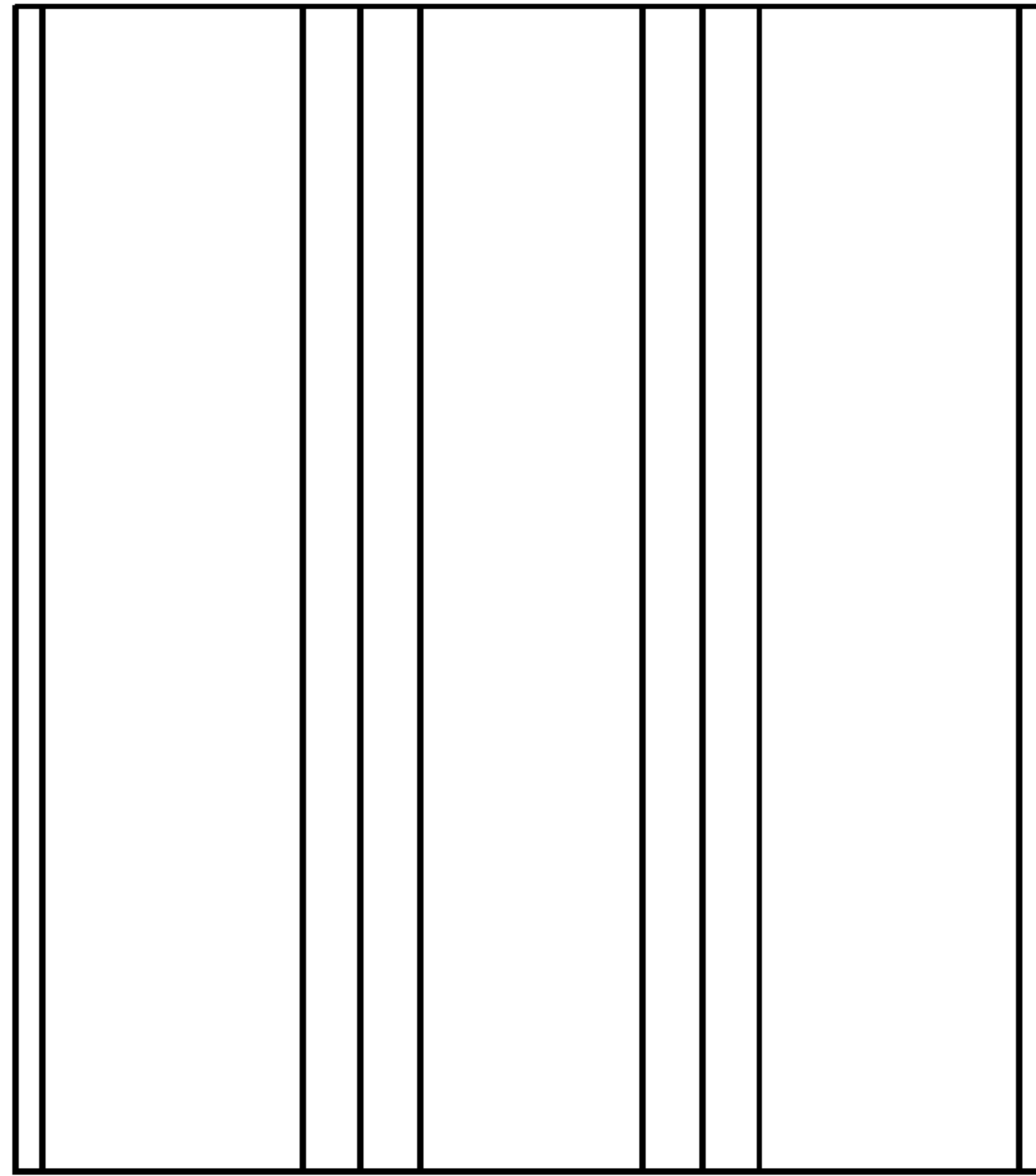


FIG. 2

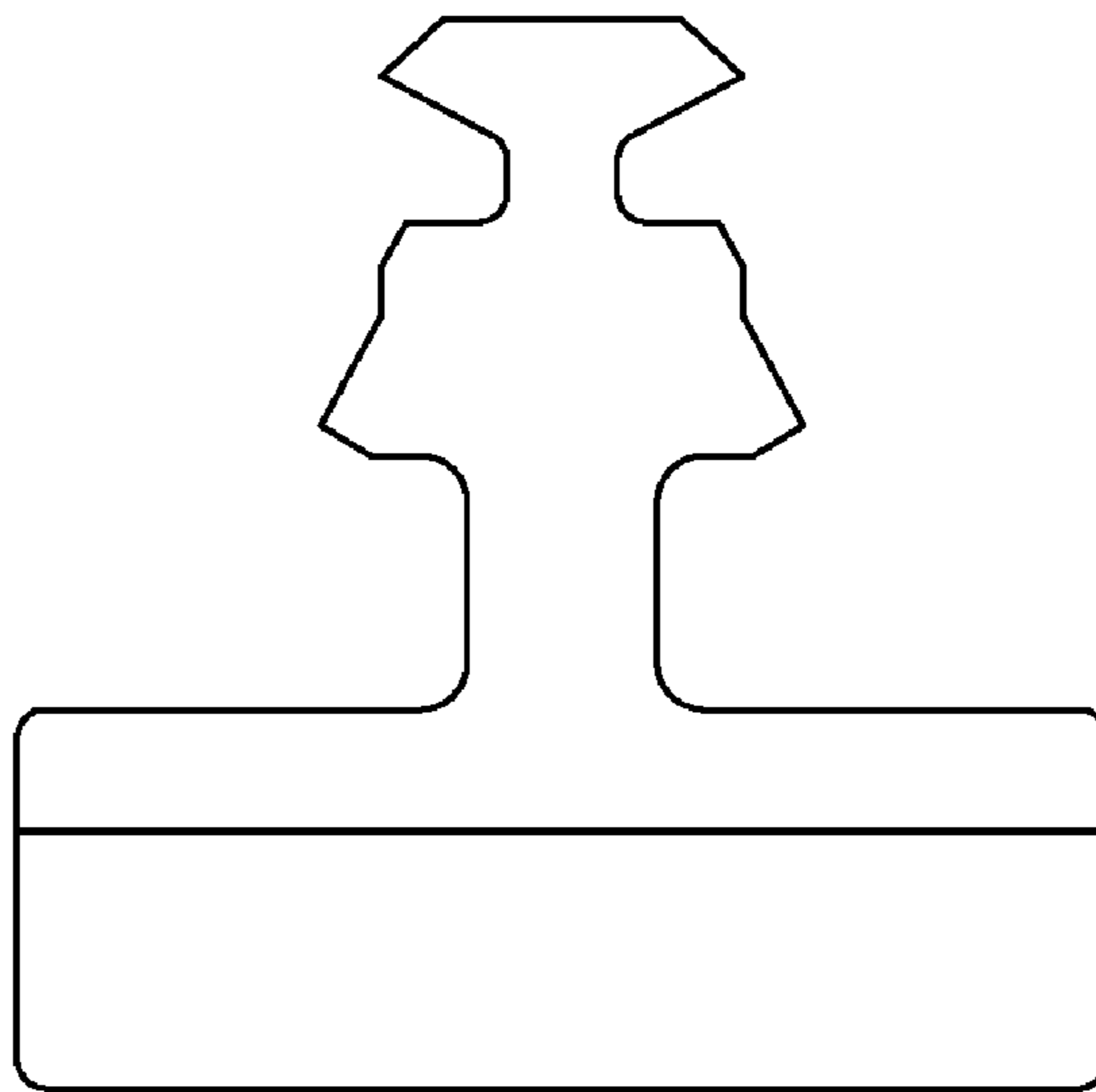


FIG. 3

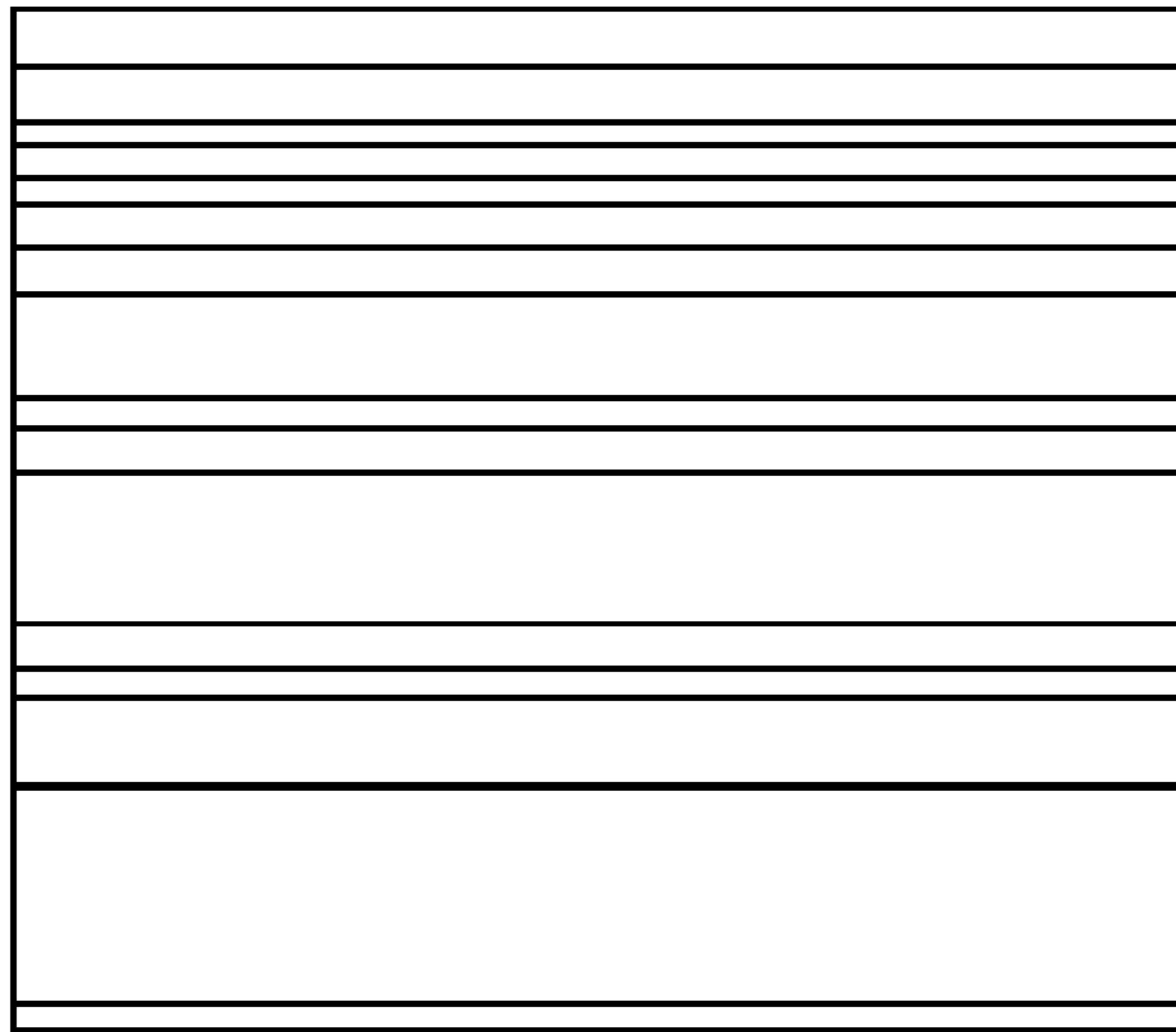


FIG. 4

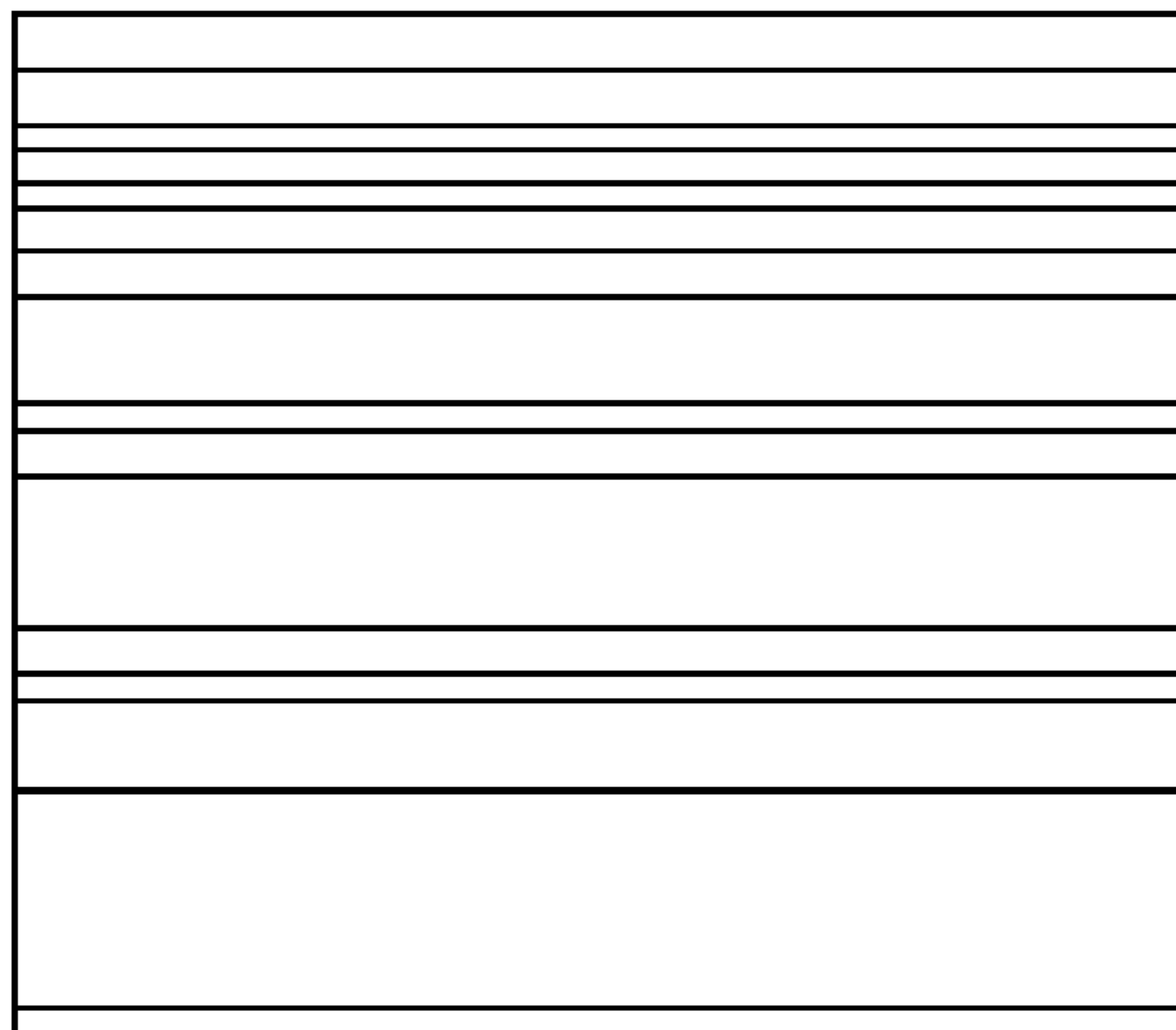


FIG. 5

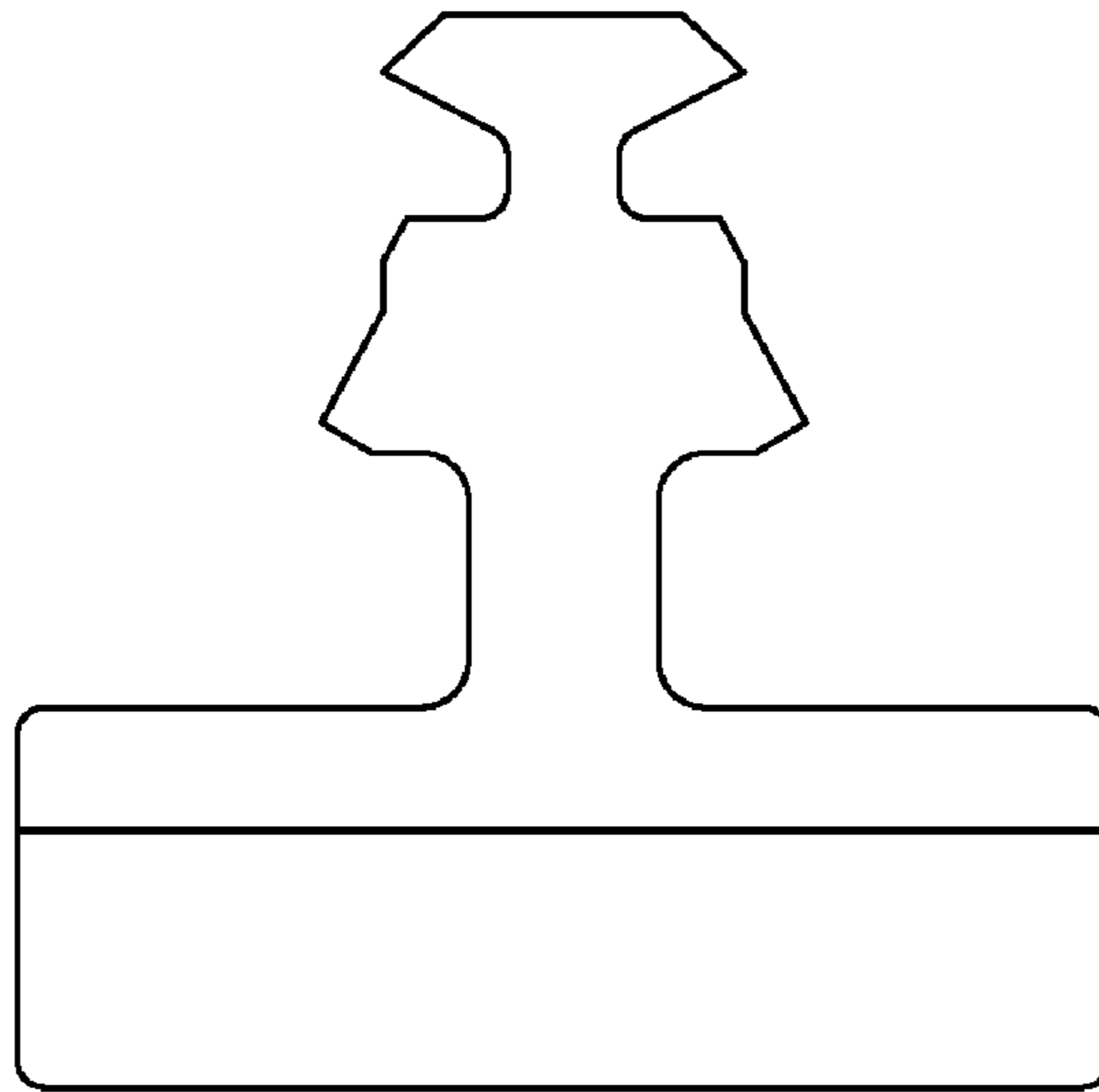


FIG. 6

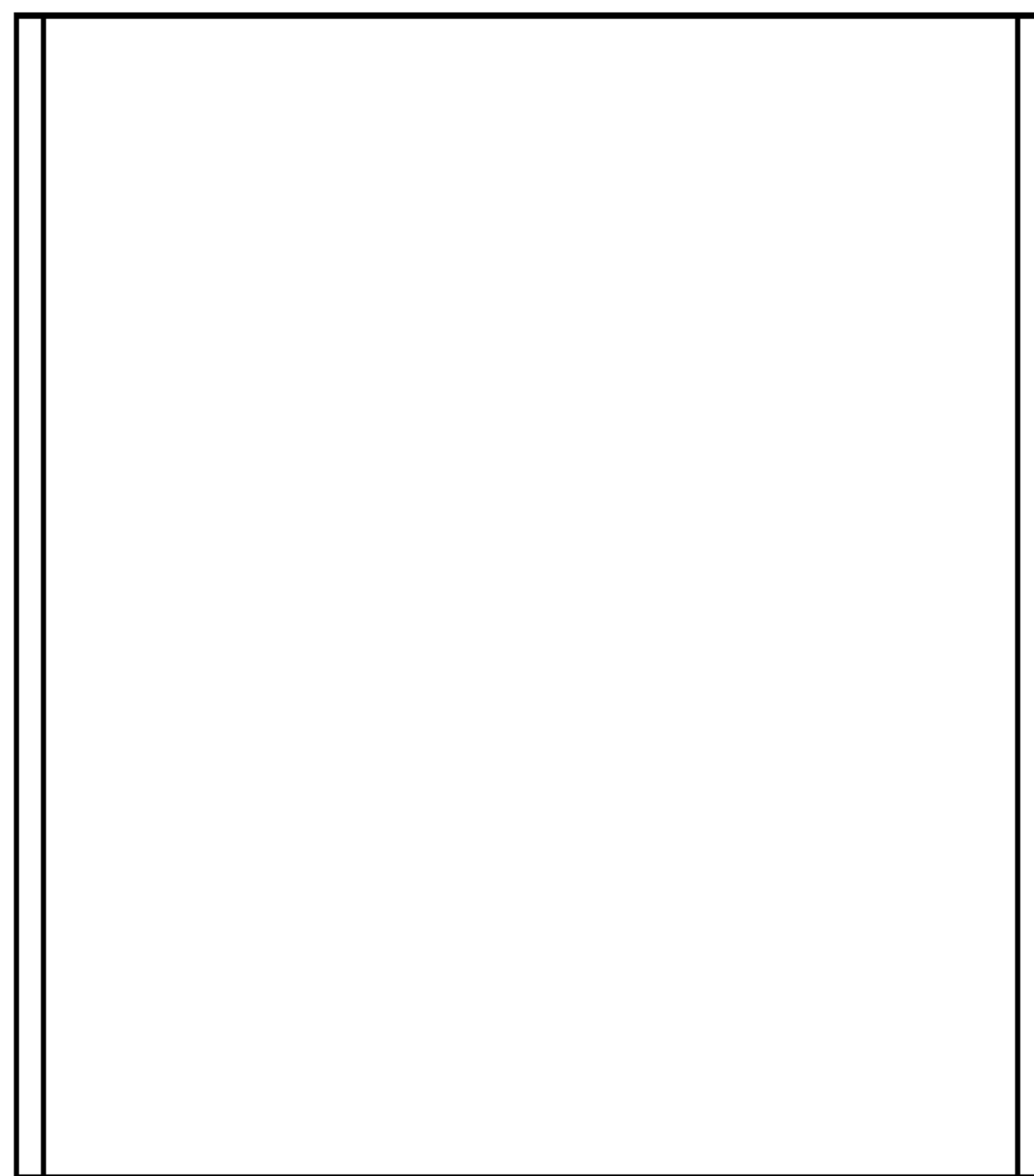


FIG. 7