

US00D661176S

(12) **United States Design Patent**
Schindler

(10) **Patent No.:** **US D661,176 S**
(45) **Date of Patent:** **** Jun. 5, 2012**

(54) **RECEPTACLE COVER**

(76) Inventor: **Stephen K. Schindler**, St. Peters, MO
(US)

(**) Term: **14 Years**

(21) Appl. No.: **29/337,488**

(22) Filed: **May 22, 2009**

Related U.S. Application Data

(63) Continuation-in-part of application No. 29/319,198,
filed on Jun. 5, 2008, now abandoned.

(51) **LOC (9) Cl.** **11-05**

(52) **U.S. Cl.** **D8/353**

(58) **Field of Classification Search** D8/350-353;
D13/139.1-139.8, 146, 147, 152, 154, 156,
D13/158, 169, 171, 173, 177, 184; D14/159;
D25/60; 174/55, 58, 66, 67, 535; 220/241,
220/3.92, 3.5-3.9, 242, 3.2, 3.3, 244, 315;
439/535, 536, 892, 367, 373, 537, 541, 938;
200/303; 248/273; 292/357

See application file for complete search history.

(56) **References Cited**

U.S. PATENT DOCUMENTS

D58,518 S	7/1921	White	
1,522,169 A	1/1925	Young	
D75,096 S	5/1928	Both	
1,697,348 A	1/1929	Herbert	
1,726,429 A	8/1929	Ferris	
1,785,463 A	12/1930	Strongson	
D85,612 S *	11/1931	Gaynor	D8/353
1,926,001 A	9/1933	Goodridge	
D150,242 S	7/1948	McDonald	
D159,413 S	7/1950	Hayman	
2,515,820 A	7/1950	Clark	
2,575,820 A	11/1951	Linton	
2,839,670 A	6/1958	Gladstone	
3,011,008 A	11/1961	Slater	

D210,592 S	3/1968	Paganelli	
D212,093 S *	8/1968	De Smidt	D8/353
D212,760 S *	11/1968	Bordner	D8/353
3,437,738 A	4/1969	Wagner	
3,928,716 A	12/1975	Marrero	
4,163,137 A	7/1979	Close, Jr.	
4,312,458 A	1/1982	Stewart	
4,353,759 A	10/1982	Stallings	
4,545,631 A	10/1985	Zampini	
D284,261 S *	6/1986	Sorenson	D8/353
4,631,354 A *	12/1986	Boteler	174/66
4,774,641 A	9/1988	Rice	
4,800,239 A	1/1989	Hill	
4,970,349 A	11/1990	Jones	
D336,419 S	6/1993	Leggett	
D347,622 S	6/1994	Flasz	

(Continued)

Primary Examiner — Mark Goodwin

(74) *Attorney, Agent, or Firm* — Grace J. Fishel

(57) **CLAIM**

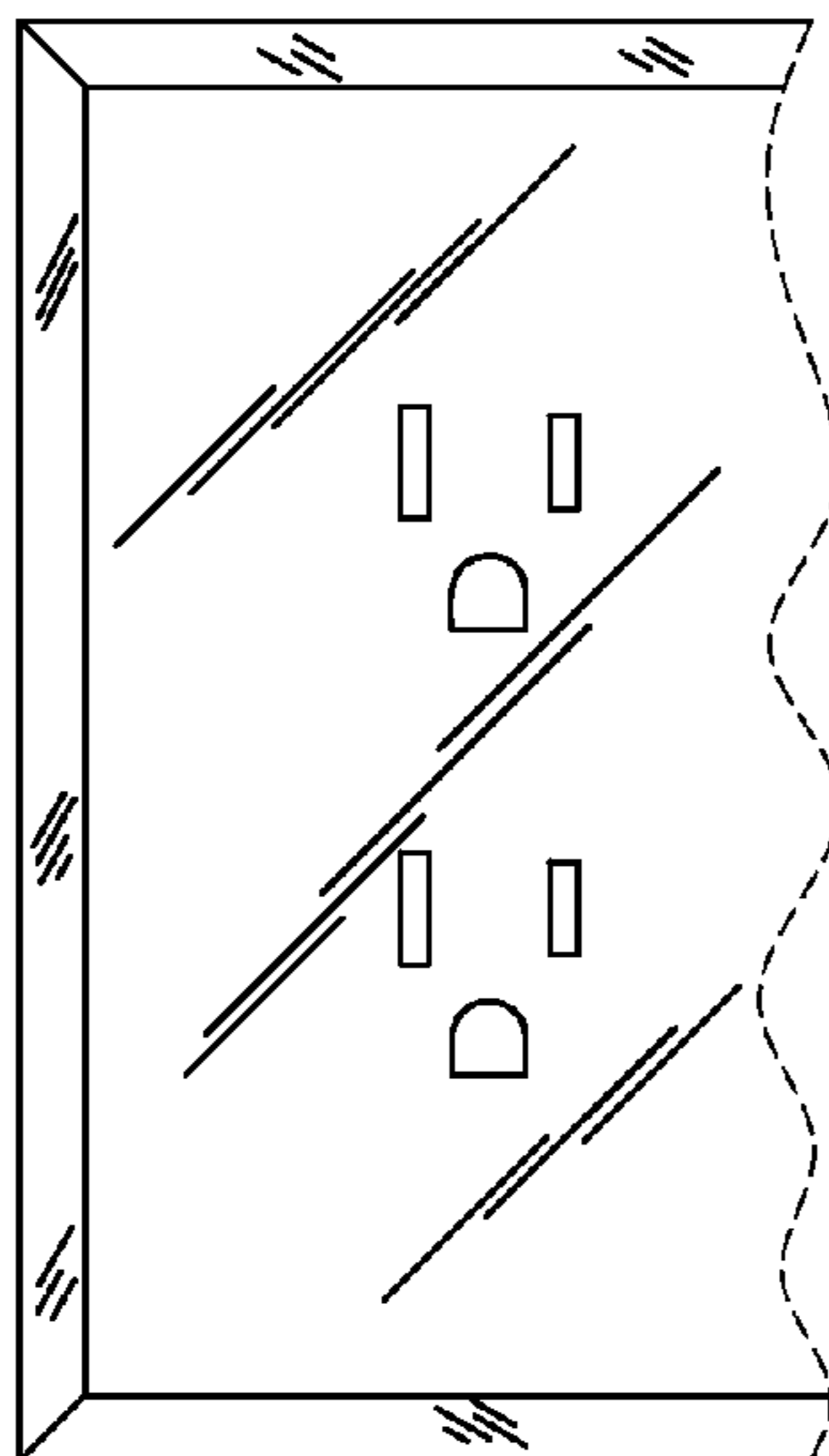
The ornamental design for a receptacle cover, as shown and described.

DESCRIPTION

FIG. 1 is an outside plan view of a receptacle cover showing my new design;
FIG. 2 is a bottom side view thereof, the top side view being a mirror image thereof;
FIG. 3 is a left side view thereof, the right side view being a mirror image thereof;
FIG. 4 is an inside plan view thereof;
FIG. 5 is a side view thereof in cross section; and,
FIG. 6 is a cross section taken along the plane of 6-6 in FIG. 4.

The broken lines in FIGS. 1 and 4 denote that the receptacle cover is of indeterminate width. The broken lines in FIG. 5 illustrate the receptacle cover in use with a cover plate and duplex receptacle. The receptacle cover is lined for transparent material with paint on the inside.

1 Claim, 2 Drawing Sheets



US D661,176 S

Page 2

U.S. PATENT DOCUMENTS

5,675,125	A	10/1997	Hollinger	6,617,511	B2	9/2003	Schultz et al.
5,723,817	A	3/1998	Arenas et al.	D484,392	S	12/2003	Mayo et al.
D396,401	S	7/1998	Christie	D503,608	S	4/2005	Fields
5,837,937	A	11/1998	Reese et al.	D505,856	S	6/2005	Kim et al.
D402,186	S	12/1998	Pearse	D506,917	S	7/2005	Fields
D411,797	S	* 7/1999	Schultz D8/343	6,977,342	B1	12/2005	Malby et al.
5,965,846	A	10/1999	Shotey et al.	D523,733	S	6/2006	Atkinson
6,036,536	A	3/2000	Chiu	7,074,078	B2	7/2006	Shotey et al.
D427,887	S	7/2000	Leopold et al.	7,119,278	B1	10/2006	Shotey et al.
D430,478	S	* 9/2000	De brey et al. D8/353	D534,058	S	12/2006	Fields
6,130,384	A	10/2000	Esteves et al.	D534,787	S	1/2007	Fields
6,160,219	A	12/2000	Malby et al.	7,230,184	B1	6/2007	Shotey et al.
6,278,062	B1	8/2001	Sowdon	7,284,996	B2	10/2007	Kidman
6,511,343	B1	1/2003	Shotey et al.	RE40,600	E	12/2008	Malby et al.

* cited by examiner

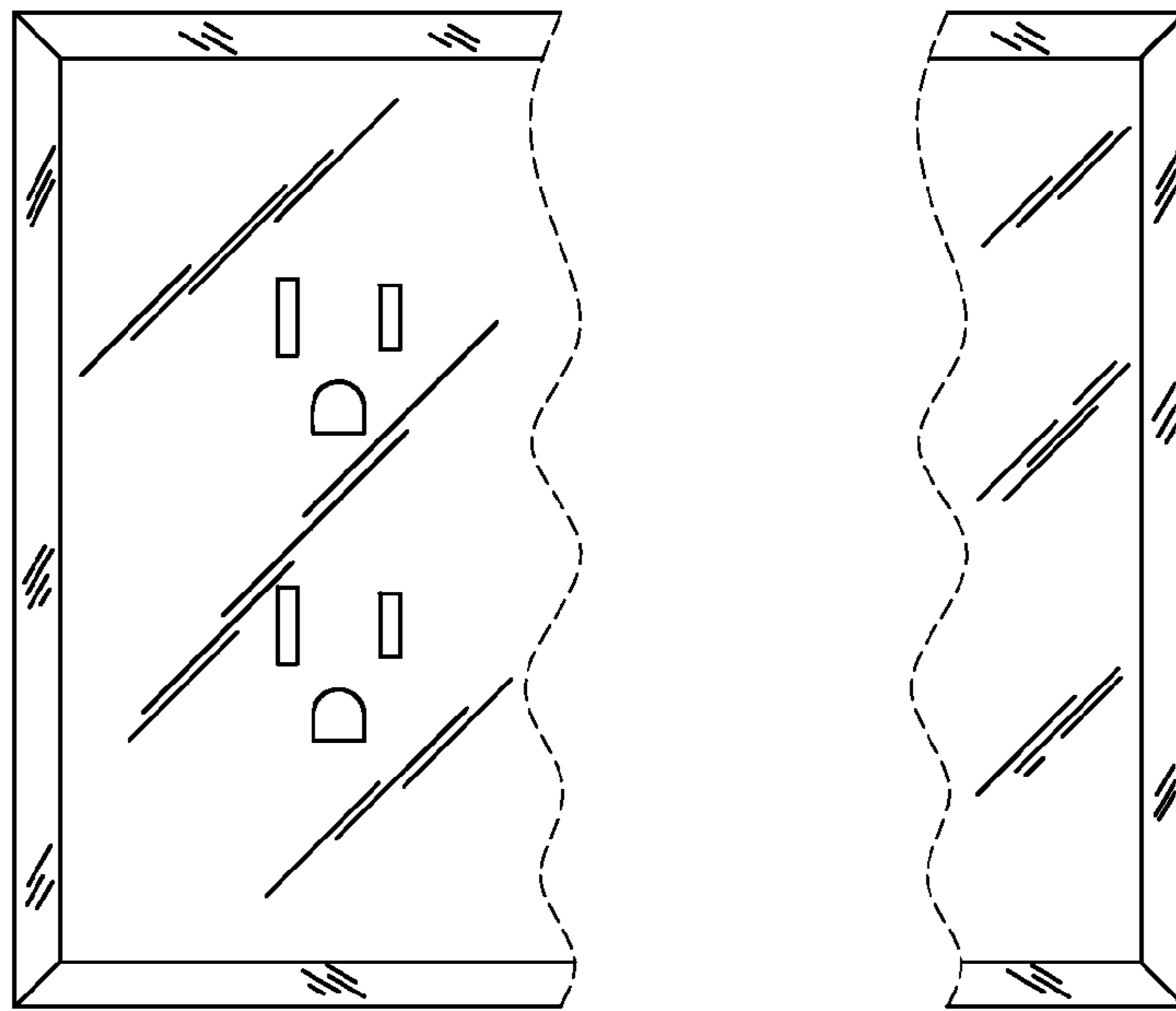


Fig. 1



Fig. 2

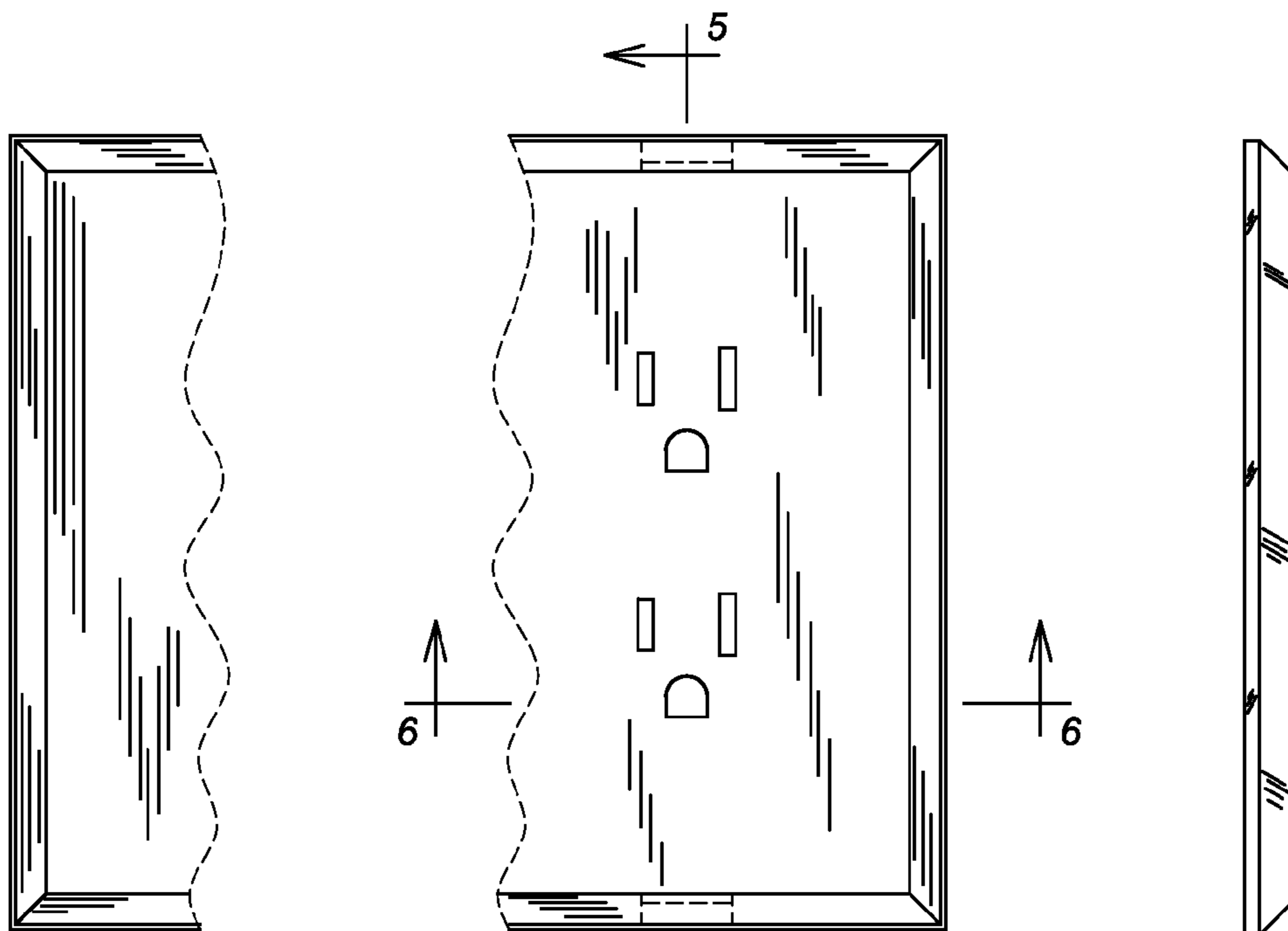


Fig. 4

Fig. 3

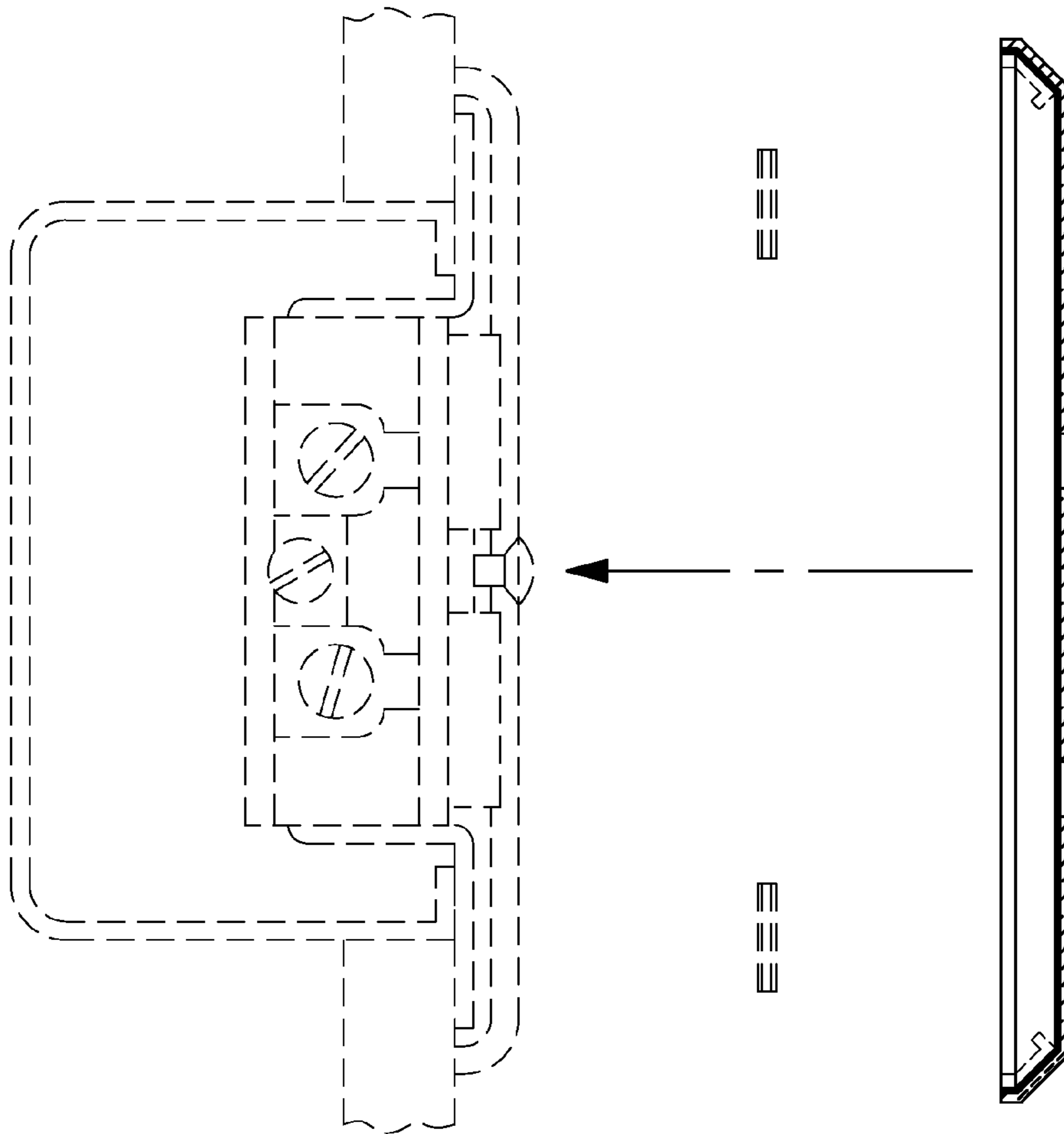


Fig. 5

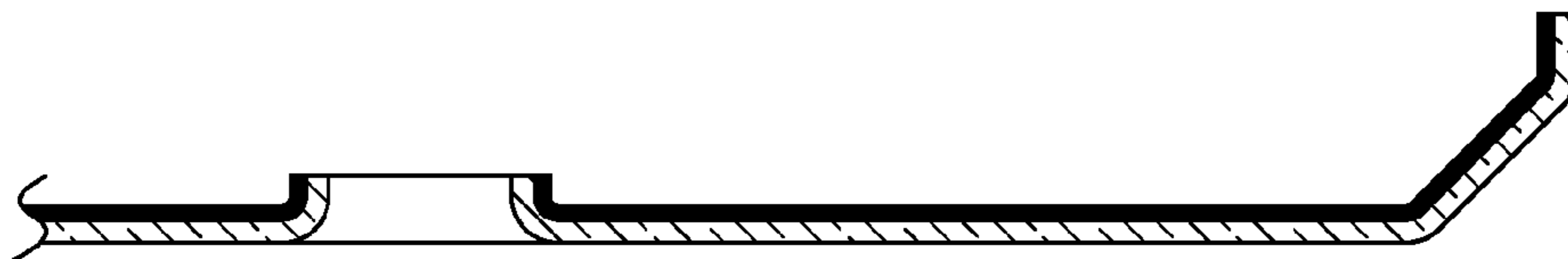


Fig. 6