



US00D661174S

(12) **United States Design Patent**  
**Ogawa**

(10) **Patent No.:** **US D661,174 S**  
(45) **Date of Patent:** **\*\* Jun. 5, 2012**

(54) **FITTING HINGE**

(75) Inventor: **Masaki Ogawa**, Tokyo (JP)

(73) Assignee: **Sugatsune Kogyo Co., Ltd.**, Tokyo (JP)

(\*\*) Term: **14 Years**

(21) Appl. No.: **29/406,475**

(22) Filed: **Nov. 15, 2011**

(30) **Foreign Application Priority Data**

May 26, 2011 (JP) ..... 2011-011823

(51) **LOC (9) Cl.** ..... **08-06**

(52) **U.S. Cl.** ..... **D8/323; D8/327**

(58) **Field of Classification Search** ..... D8/323,  
D8/328, 329, 324, 330, 325, 327, 331, 336,  
D8/353, 338, 334, 57; D16/334; D23/302,  
D23/303; D10/69; D3/903; 4/236, 240;  
16/309, 235, 275, 244, 379, 390, 430, 241,  
16/238, 245, 236, 243, 242, 385, 225, 250;  
248/682; 33/347, 365-390

See application file for complete search history.

(56) **References Cited**

**U.S. PATENT DOCUMENTS**

6,178,598 B1 \* 1/2001 Creely et al. .... 16/342  
D507,170 S \* 7/2005 Franchini ..... D8/323  
D512,897 S \* 12/2005 Franchini ..... D8/323  
D533,433 S \* 12/2006 Loggen ..... D8/329

D534,053 S \* 12/2006 Sozzi ..... D8/329  
D544,779 S \* 6/2007 Loggen ..... D8/327  
D622,128 S \* 8/2010 Laurenza ..... D8/323  
D651,889 S \* 1/2012 Mahaffey et al. .... D8/330  
D653,097 S \* 1/2012 Hatano ..... D8/328  
2006/0272354 A1 \* 12/2006 Hostettler et al. .... 63/9

\* cited by examiner

*Primary Examiner* — Cynthia Underwood

(74) *Attorney, Agent, or Firm* — Bacon & Thomas, PLLC

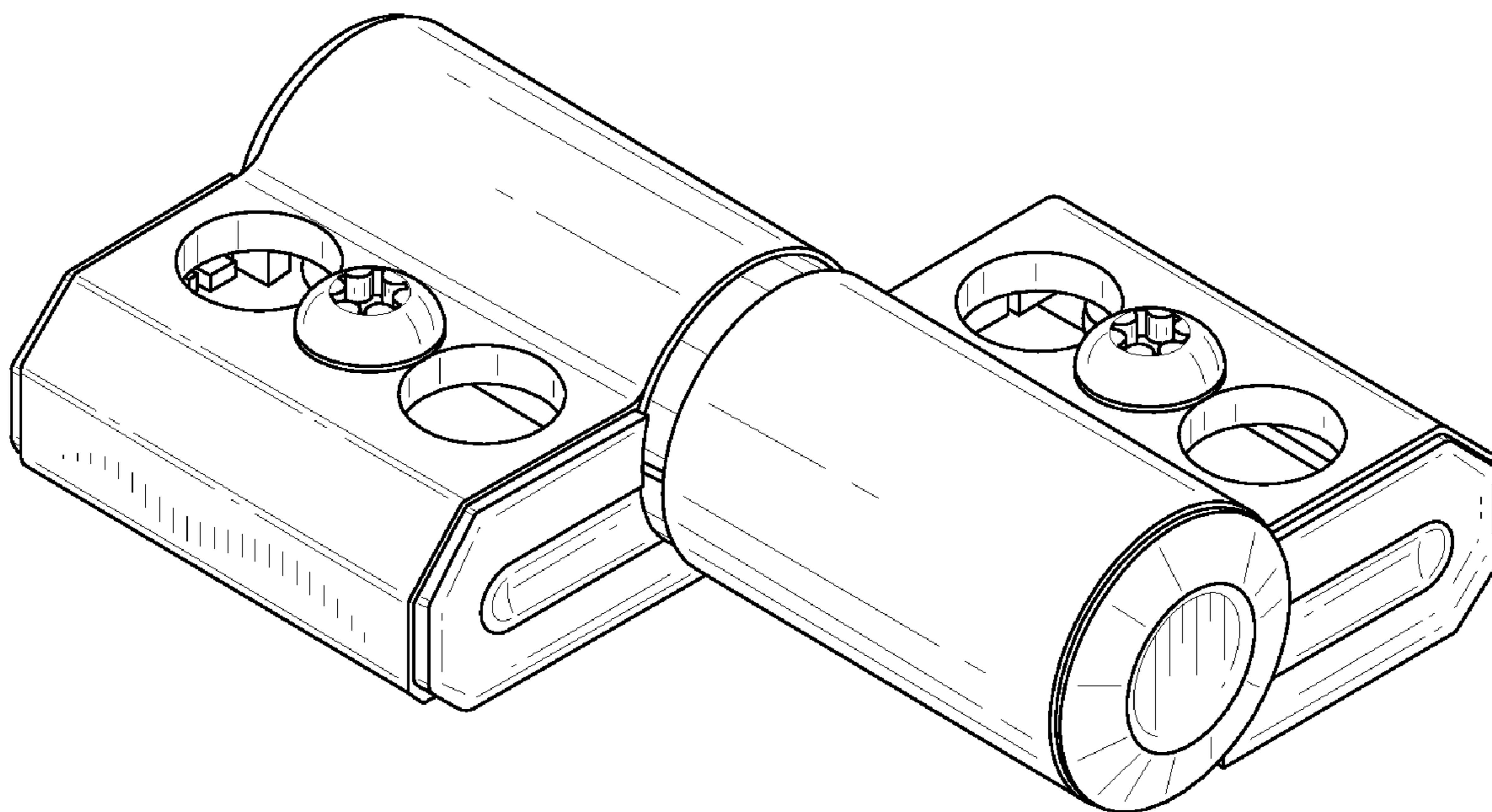
(57) **CLAIM**

The ornamental design for a fitting hinge, as shown and described.

**DESCRIPTION**

FIG. 1 is a top plan view of a fitting hinge showing my new design,  
FIG. 2 is a bottom plan view thereof,  
FIG. 3 is a front elevational view thereof,  
FIG. 4 is a rear elevational view thereof,  
FIG. 5 is a right side elevational view thereof,  
FIG. 6 is a left side elevational view thereof,  
FIG. 7 is a top perspective view thereof,  
FIG. 8 is a sectional view taken along the line 8-8 of FIG. 1,  
FIG. 9 is a sectional view taken along the line 9-9 of FIG. 1;  
and,  
FIG. 10 is a sectional view taken along the line 10-10 of FIG. 1.

**1 Claim, 3 Drawing Sheets**



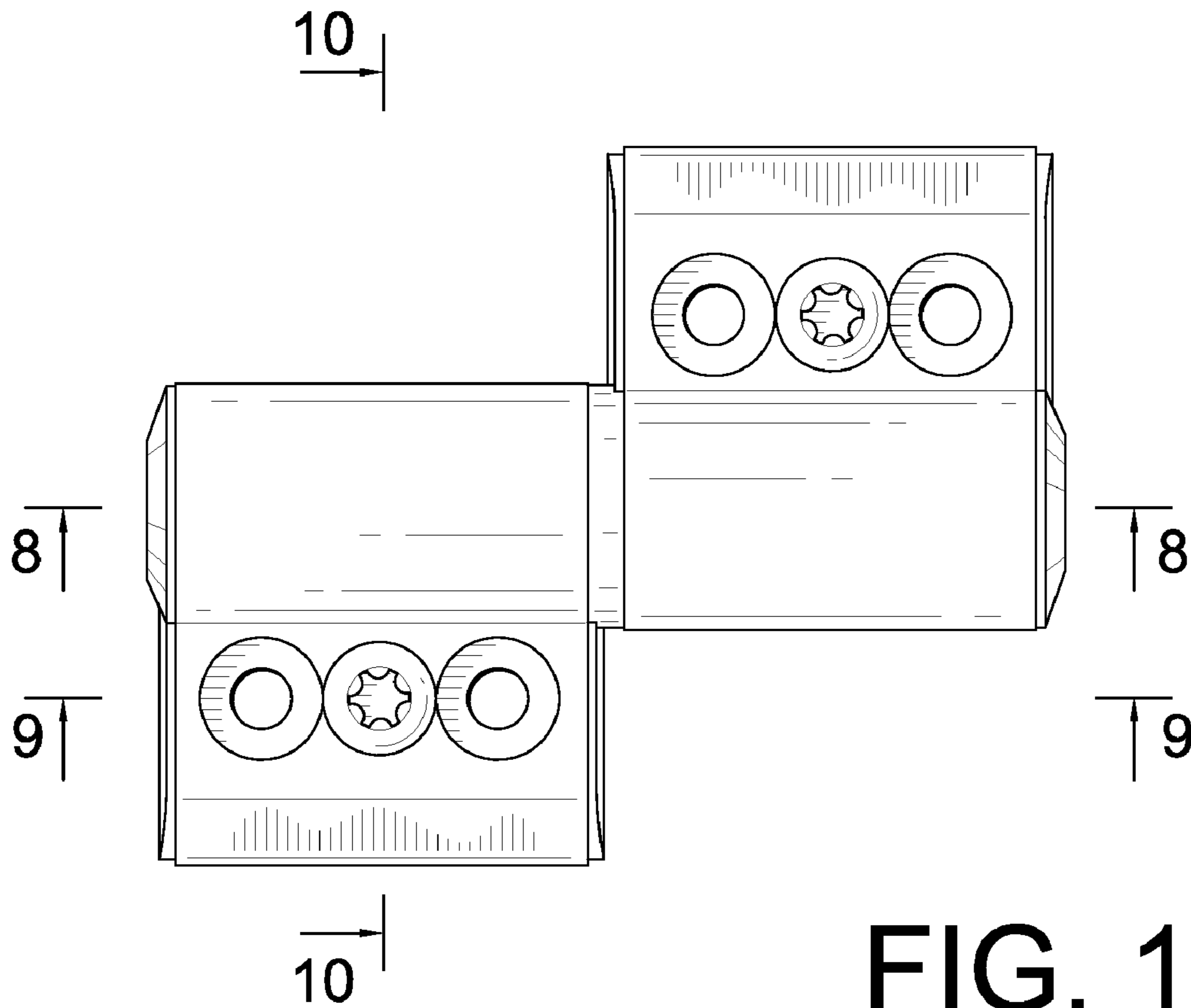


FIG. 1

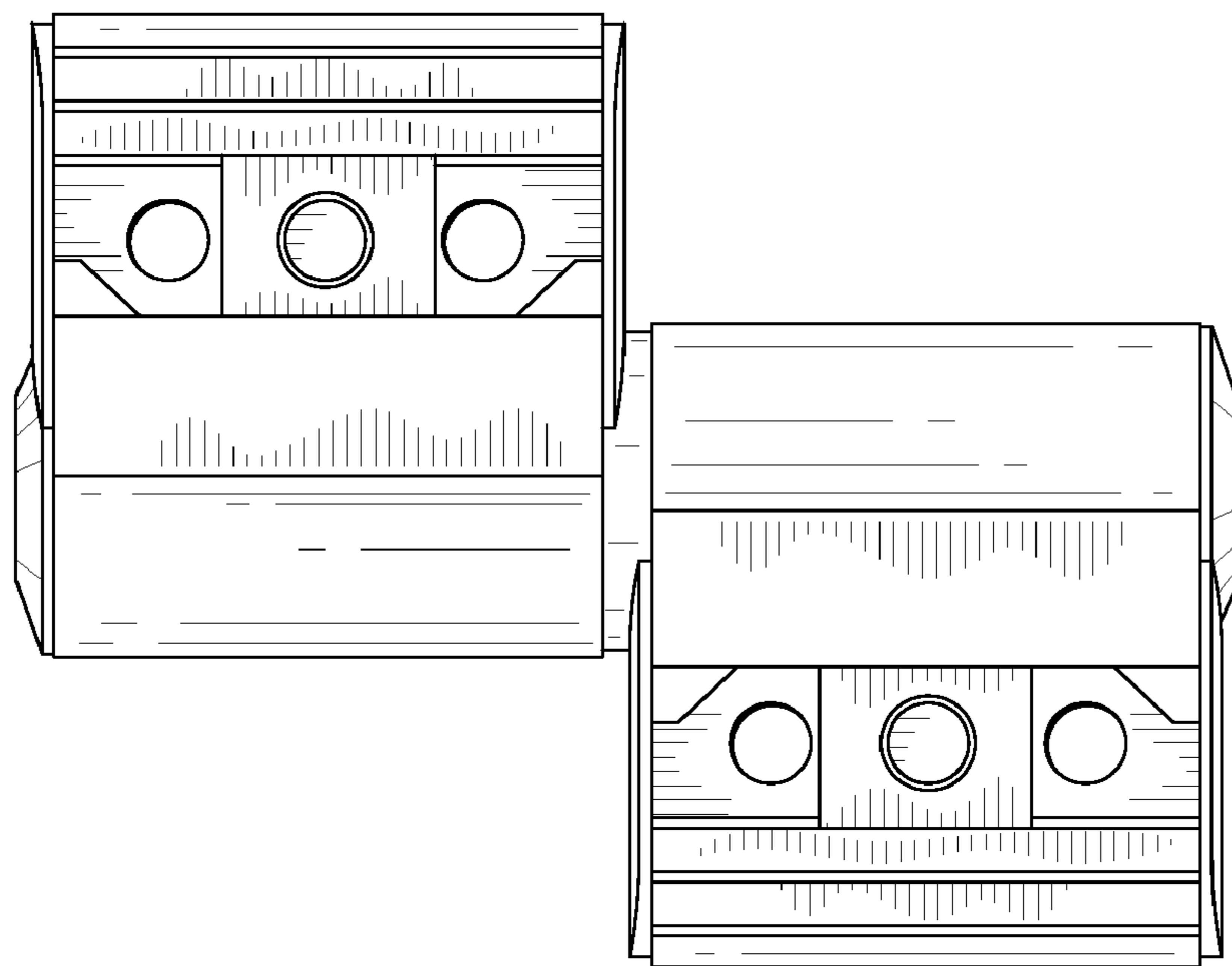


FIG. 2

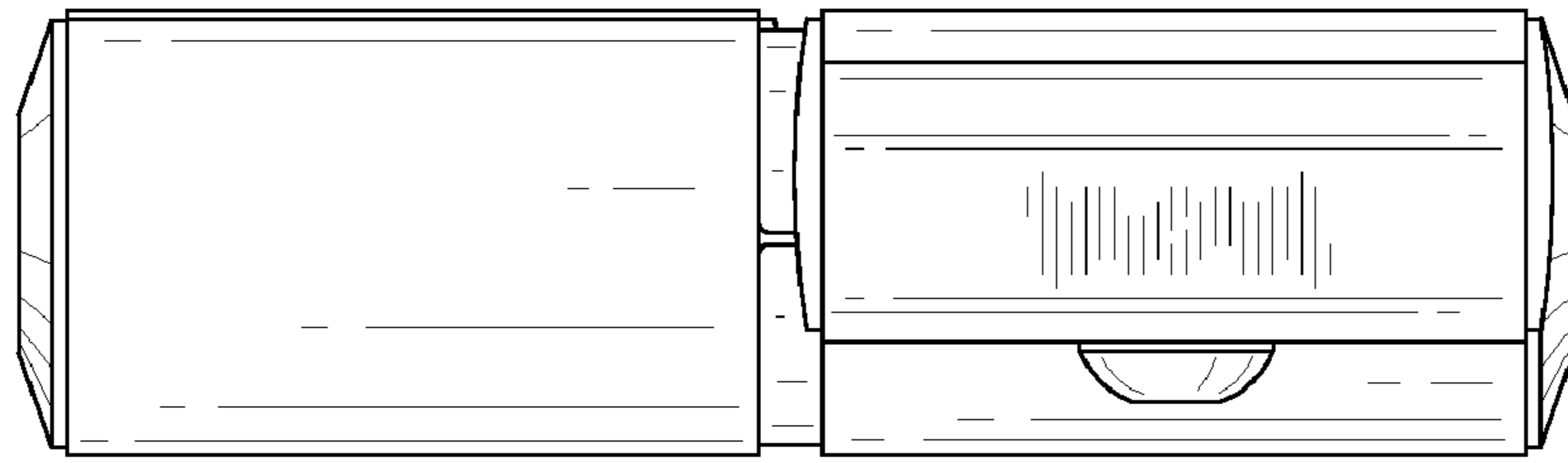


FIG. 3

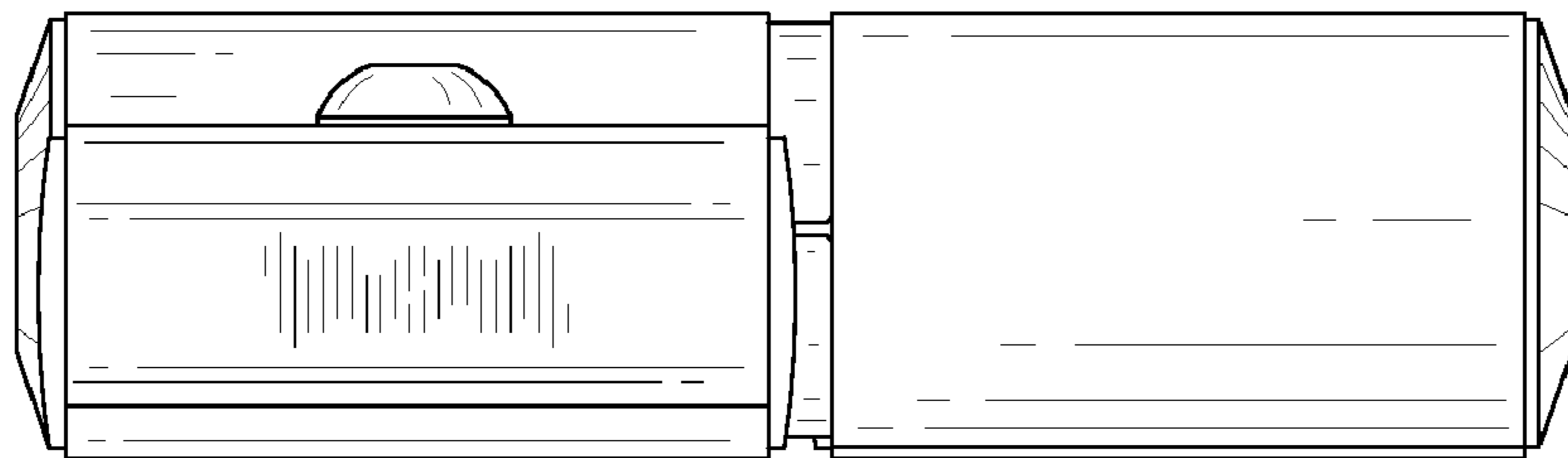


FIG. 4

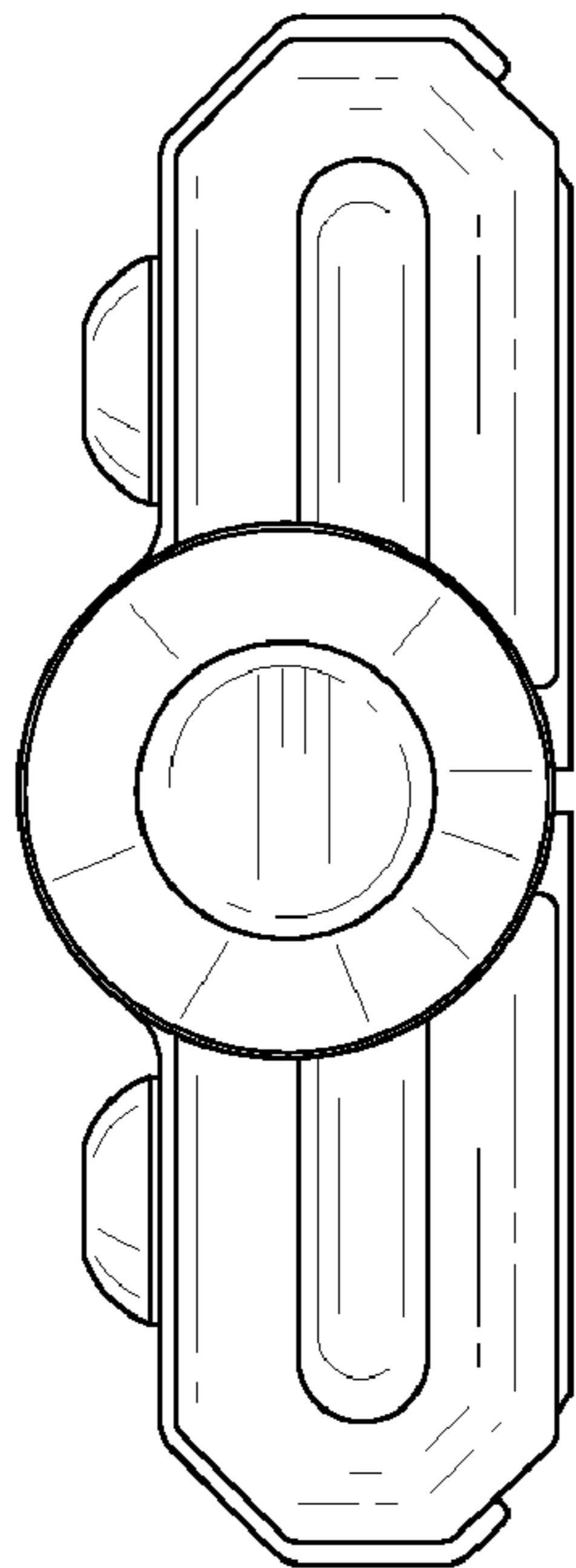


FIG. 5

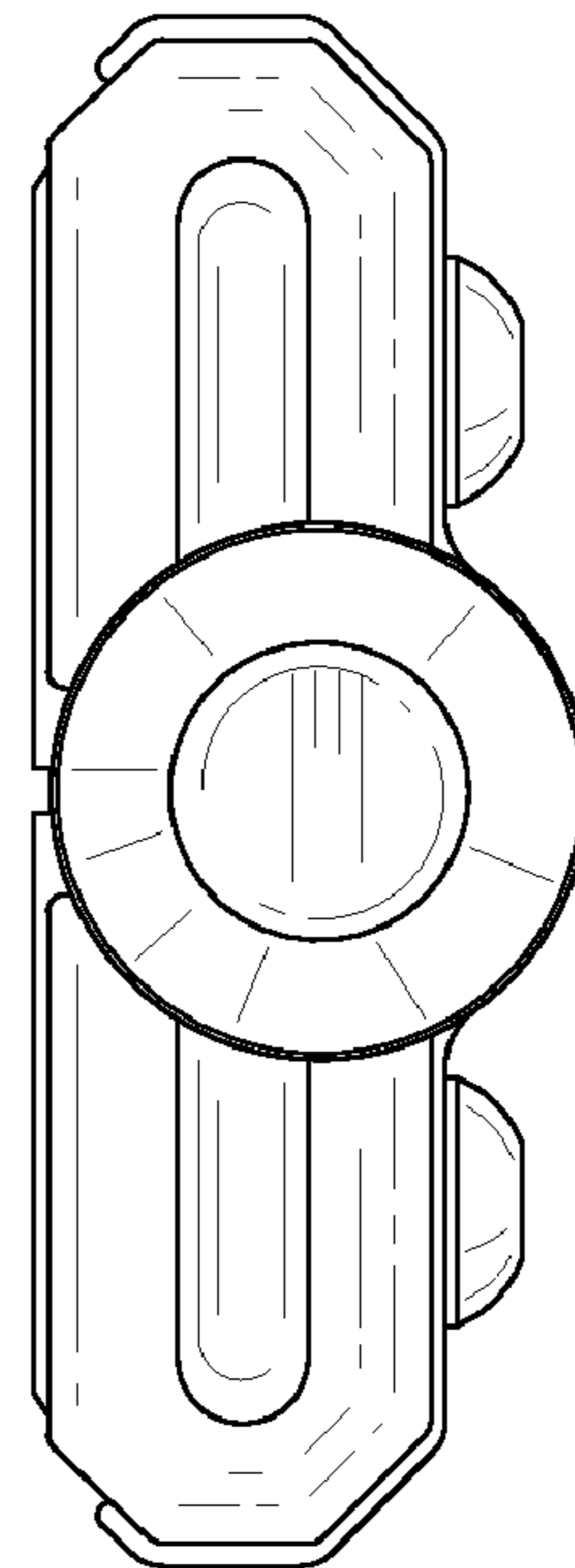


FIG. 6

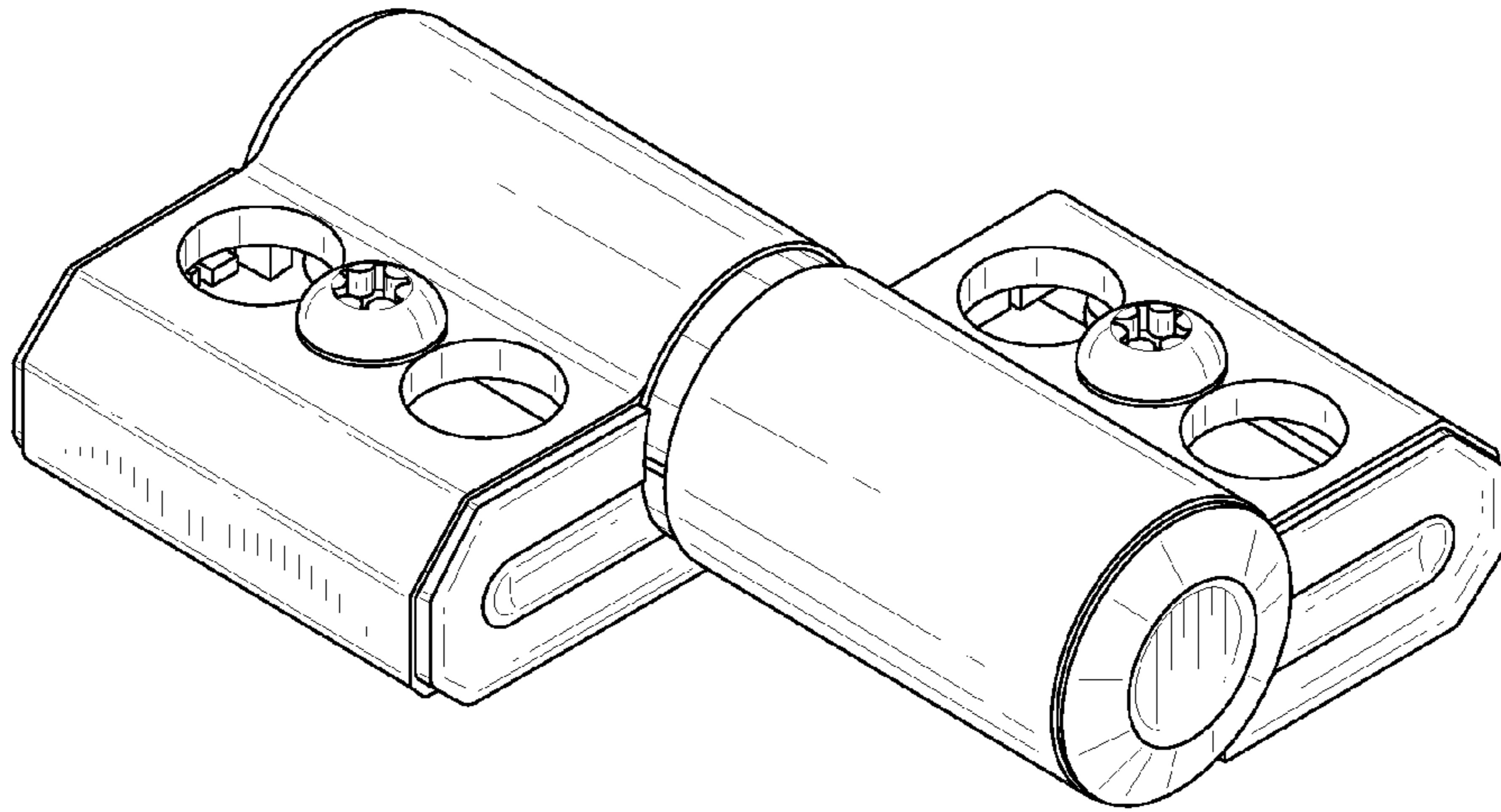


FIG. 7

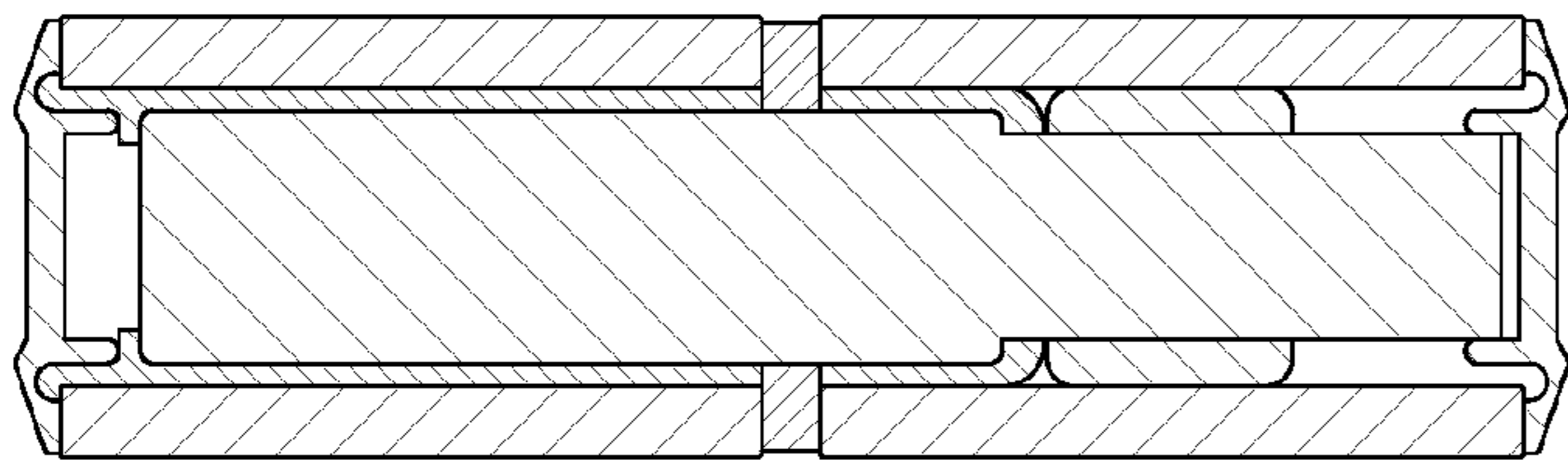


FIG. 8

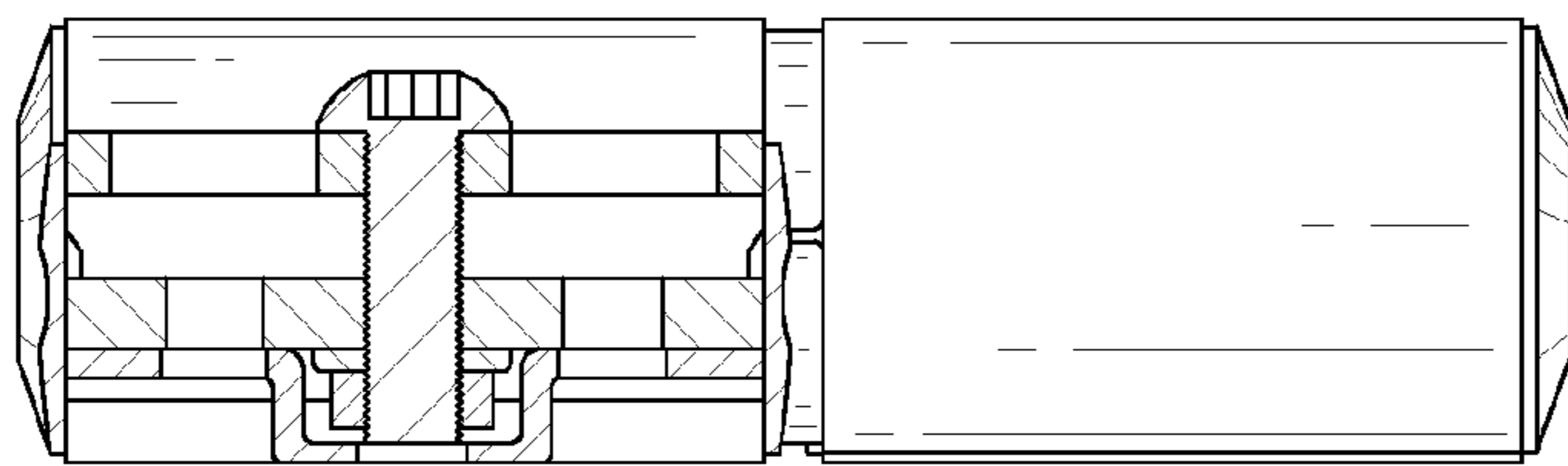


FIG. 9

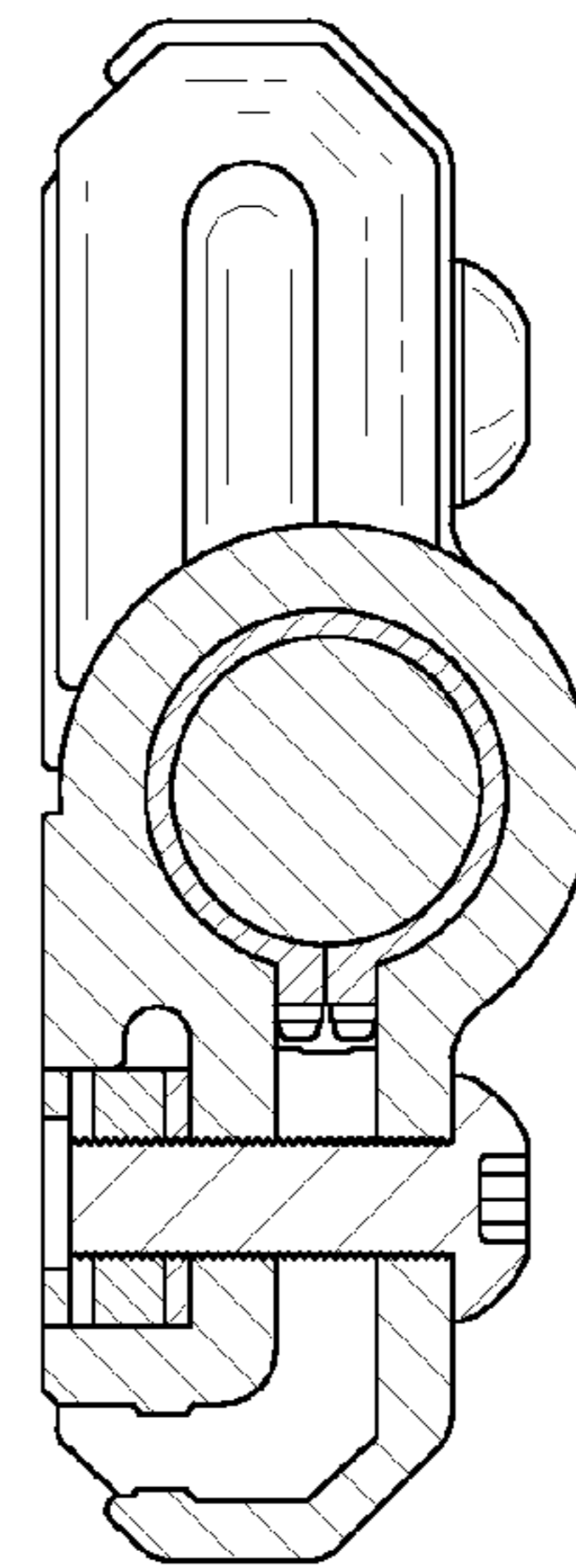


FIG. 10