

US00D661171S

(12) **United States Design Patent**
Chen

(10) **Patent No.:** **US D661,171 S**
(45) **Date of Patent:** **** Jun. 5, 2012**

(54) **TOOL ADAPTOR**

(76) Inventor: **Hui-Chien Chen**, Taichung County
(TW)

(**) Term: **14 Years**

(21) Appl. No.: **29/399,589**

(22) Filed: **Aug. 16, 2011**

Related U.S. Application Data

(63) Continuation-in-part of application No. 12/552,251,
filed on Sep. 1, 2009.

(51) **LOC (9) Cl.** **08-04**

(52) **U.S. Cl.** **D8/86**; D8/29

(58) **Field of Classification Search** D8/14,
D8/29, 82, 85-87; 81/177.75; 403/57; 464/114,
464/119, 136

See application file for complete search history.

(56) **References Cited**

U.S. PATENT DOCUMENTS

272,339	A *	2/1883	Shuman	464/136
1,185,199	A *	5/1916	Hauer	464/119
1,442,921	A *	1/1923	Bockhoff	464/136
1,489,696	A *	4/1924	Campbell	81/177.75
1,498,713	A *	6/1924	York	81/177.75
1,643,855	A *	9/1927	Peterson	81/177.75
1,897,945	A *	2/1933	Dooley	464/136
2,005,202	A *	6/1935	Pilger	464/119
2,498,465	A *	2/1950	Thomas	81/177.7
2,499,030	A *	2/1950	Moon	464/119
2,499,569	A *	3/1950	Cooley	464/136
2,501,561	A *	3/1950	Clay	81/440
2,636,759	A *	4/1953	Rueb	403/145
2,794,357	A *	6/1957	Lykins, Jr.	81/177.75
2,826,052	A *	3/1958	Stillwagon, Jr.	464/119
4,692,073	A *	9/1987	Martindell	408/239 A
5,324,235	A *	6/1994	Tomii et al.	464/136

5,433,548	A *	7/1995	Roberts et al.	403/74
5,458,028	A *	10/1995	Cleveland, III	81/177.75
5,660,491	A *	8/1997	Roberts et al.	403/74
5,766,081	A *	6/1998	Desmarais	464/119
6,287,206	B1 *	9/2001	Stage	464/119
6,656,053	B2 *	12/2003	Chang	464/119
7,096,768	B1 *	8/2006	Chen	81/438
7,287,449	B2 *	10/2007	Abel et al.	81/177.2
7,306,396	B1 *	12/2007	Chen	403/327
D589,319	S *	3/2009	Peters	D8/70
2004/0146342	A1 *	7/2004	Lin	403/324
2009/0023504	A1 *	1/2009	Hu	464/114
2009/0036222	A1 *	2/2009	Hu	464/118
2009/0041535	A1 *	2/2009	Hu	403/57
2009/0170615	A1 *	7/2009	Horwath et al.	464/136
2011/0036213	A1 *	2/2011	Huang	81/449

* cited by examiner

Primary Examiner — Philip S Hyder

Assistant Examiner — Roselynn Cody

(74) *Attorney, Agent, or Firm* — Muncy, Geissler, Olds &
Lowe, PLLC

(57) **CLAIM**

I claim the ornamental design for a tool adaptor, as shown and described.

DESCRIPTION

FIG. 1 is a perspective view of the tool adaptor showing my new design;

FIG. 2 is a front view thereof;

FIG. 3 is a rear view thereof;

FIG. 4 is a left view thereof;

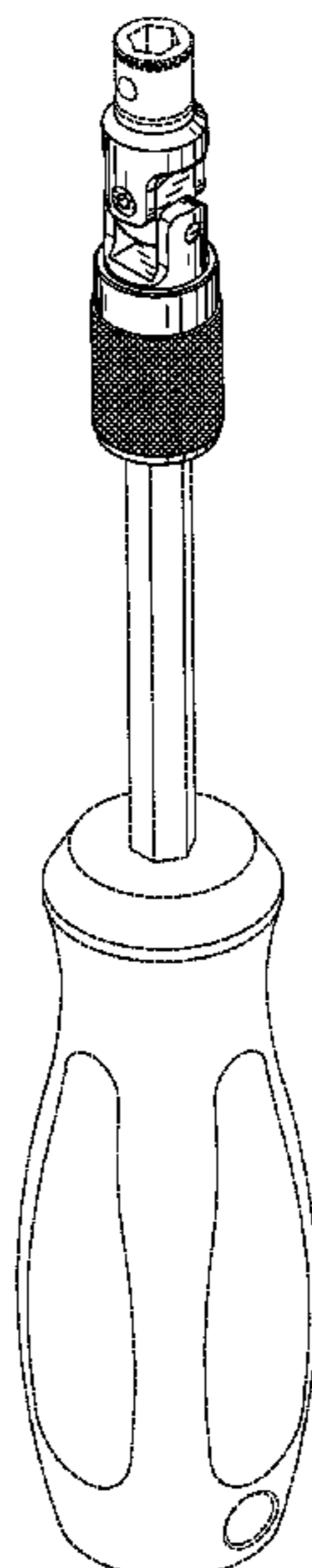
FIG. 5 is a right view thereof;

FIG. 6 is a top plan view thereof; and,

FIG. 7 is a bottom plan view thereof.

The portions shown in broken lines are for illustrative purposes only and form no part of the claimed design.

1 Claim, 4 Drawing Sheets



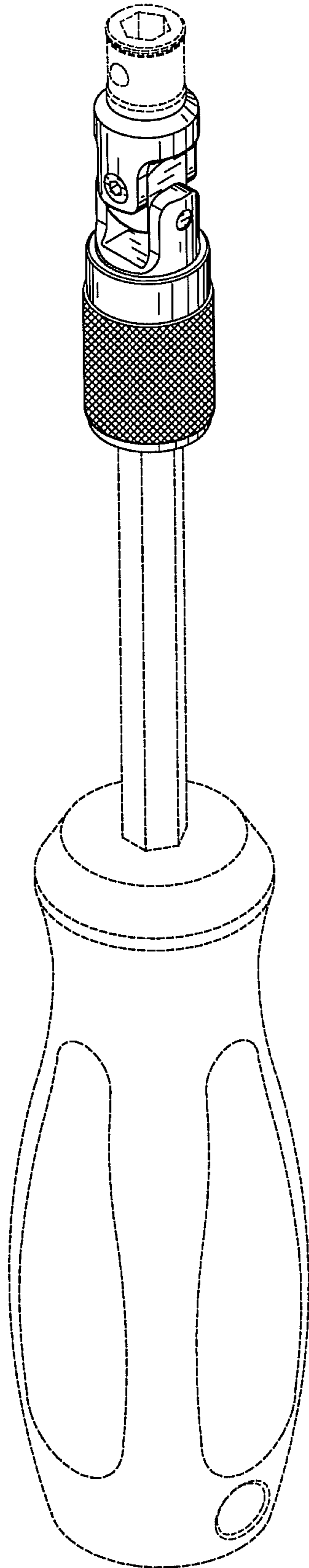


FIG. 1

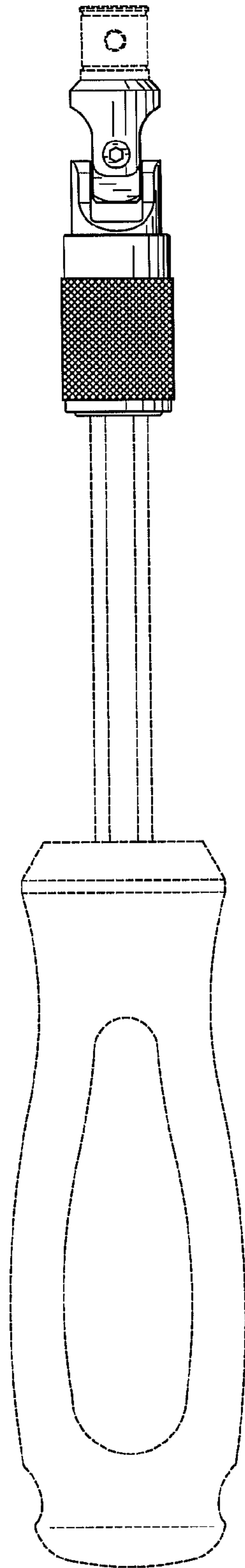


FIG. 2

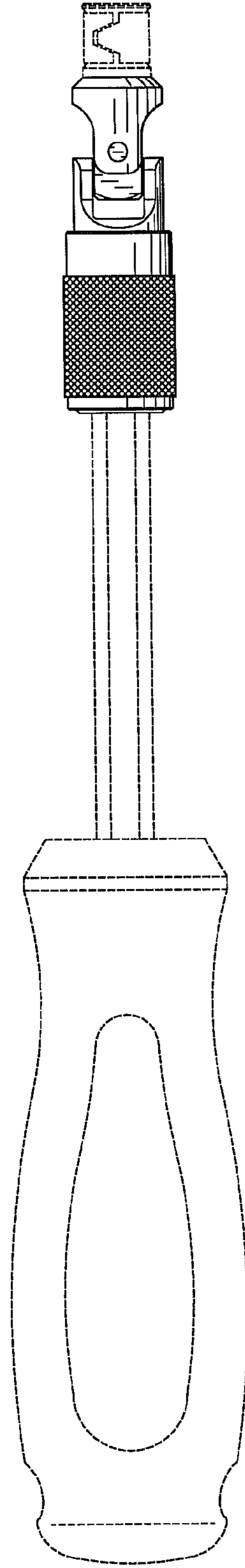


FIG. 3

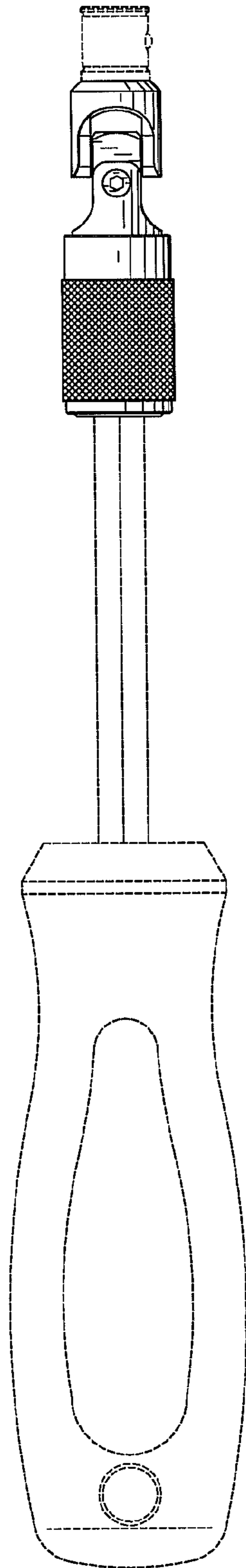


FIG. 4

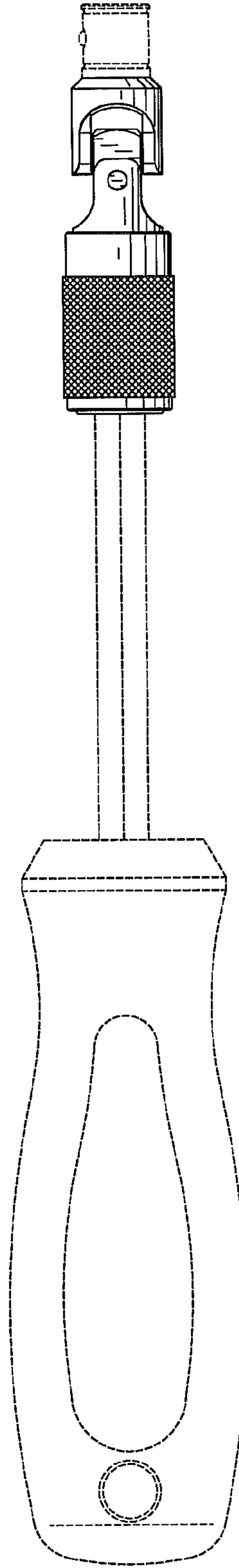


FIG. 5

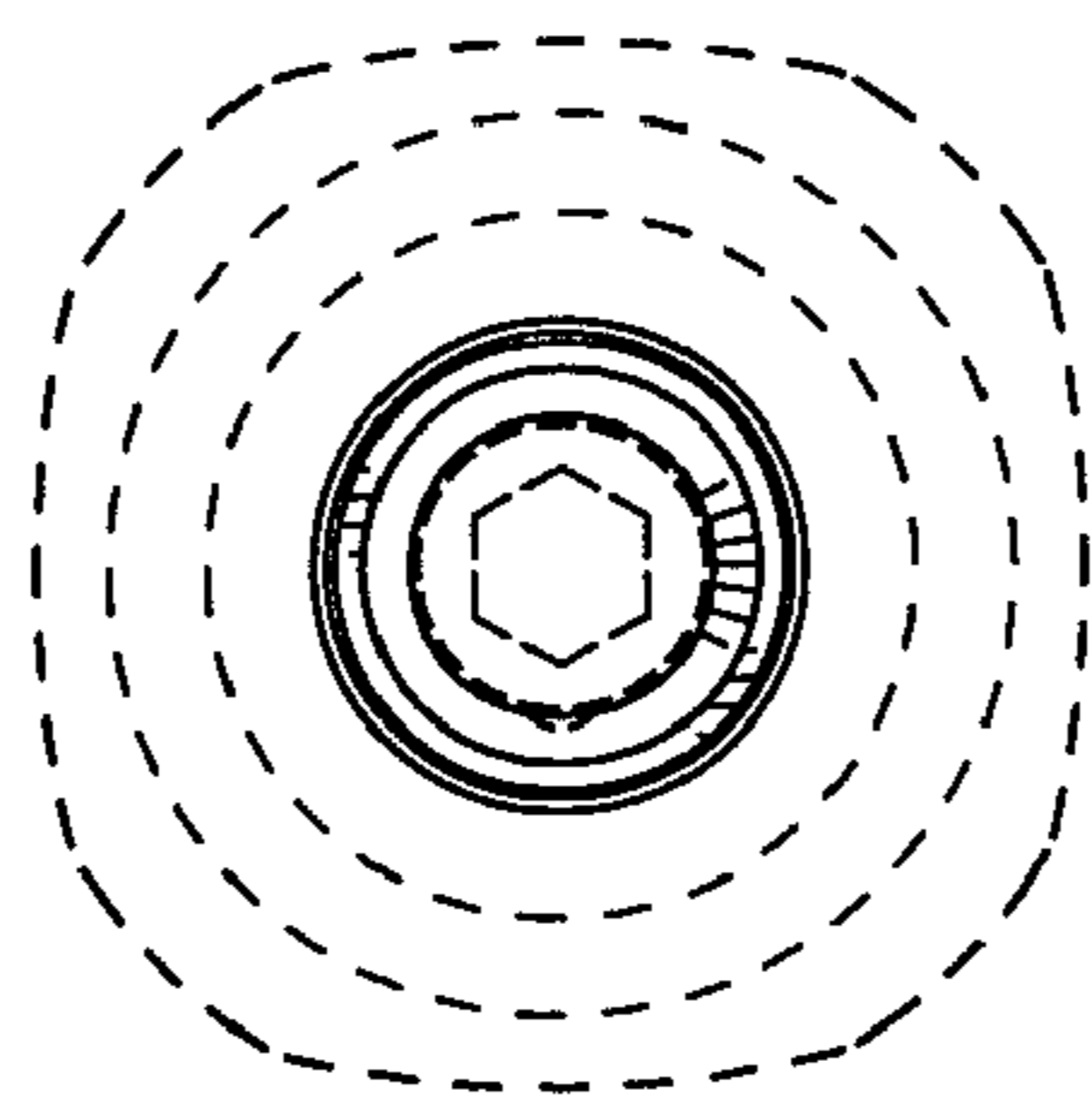


FIG. 6

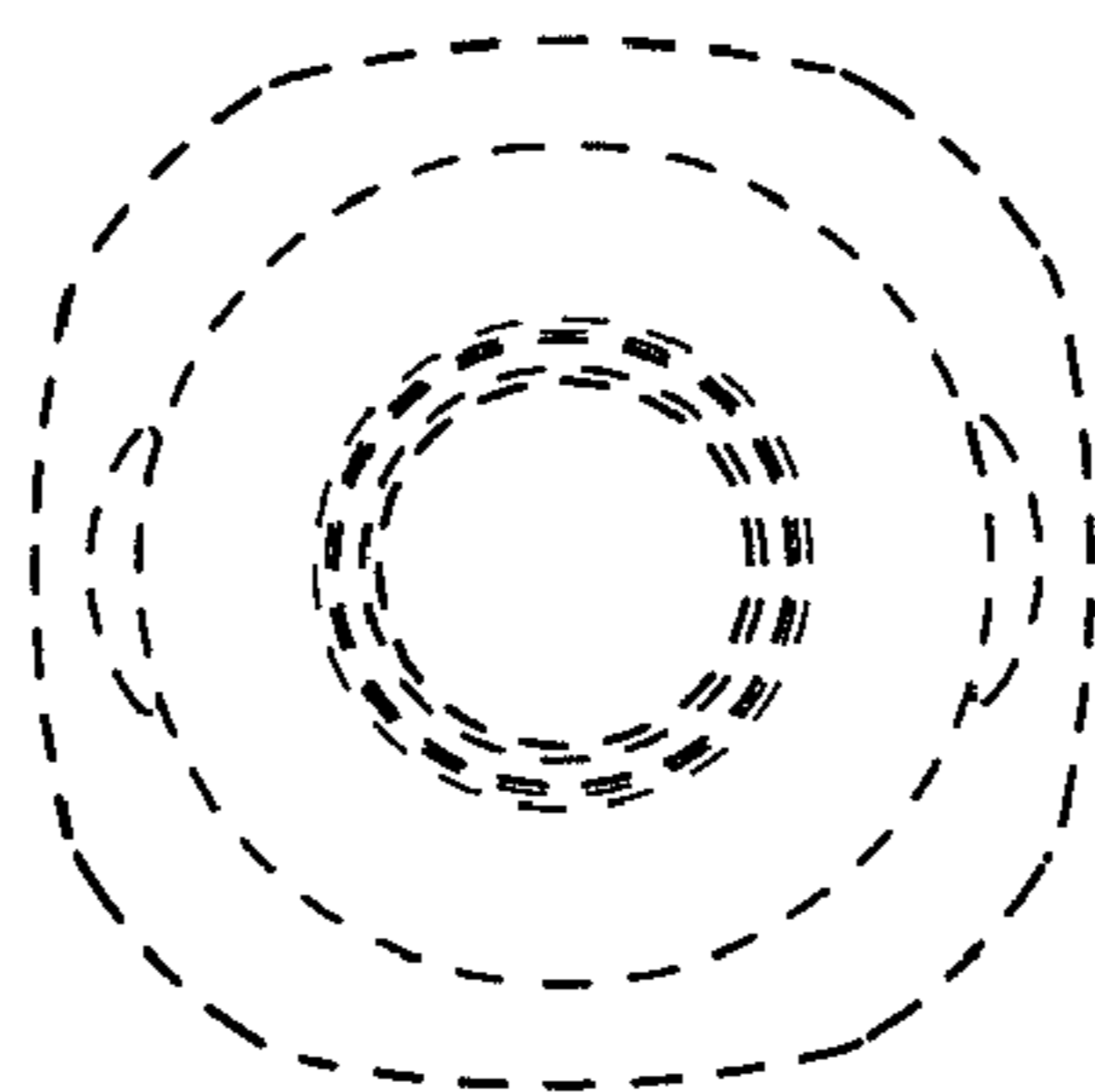


FIG. 7