



US00D661170S

(12) **United States Design Patent**
Beggs

(10) **Patent No.:** **US D661,170 S**
(45) **Date of Patent:** **** Jun. 5, 2012**

- (54) **DOUBLE WEDGE AXE**
- (76) Inventor: **Charles Beggs**, Harwich, MA (US)
- (**) Term: **14 Years**
- (21) Appl. No.: **29/357,222**
- (22) Filed: **Mar. 9, 2010**
- (51) **LOC (9) Cl.** **08-02**
- (52) **U.S. Cl.** **D8/78**
- (58) **Field of Classification Search** D8/75-81,
D8/107; 7/145; 30/308.1; 144/195.5; 81/19-24,
81/26; 76/103
See application file for complete search history.

(56) **References Cited**

U.S. PATENT DOCUMENTS

58,438	A *	10/1866	Lowman	7/158
118,266	A *	8/1871	Peabody	30/308.1
934,008	A *	9/1909	Olson	7/159
997,093	A *	7/1911	Robinson	7/159
1,562,154	A *	11/1925	Erickson	7/159
1,569,809	A *	1/1926	Johnson et al.	7/159
1,580,528	A *	4/1926	Perkins	7/145
3,245,094	A *	4/1966	Shandel	7/145
4,044,808	A *	8/1977	Kolonia	30/308.1
D266,141	S *	9/1982	Nannen	D8/76
4,357,974	A *	11/1982	Nannen	30/308.1
D271,076	S *	10/1983	Hillinger	D8/76
4,440,205	A *	4/1984	Hillinger	30/308.1
4,926,558	A *	5/1990	Brace	30/308.1
5,709,031	A *	1/1998	Van Beek	30/308.1
5,820,001	A *	10/1998	Soros	224/234
6,397,420	B1 *	6/2002	Roxton	7/145
D518,343	S *	4/2006	Kelleghan	D8/38
D608,615	S *	1/2010	Knight	D8/76

OTHER PUBLICATIONS

Fireman's Axe with Wood Handle: http://www.alibaba.com/product-gs/362780445/axe_head_axe_with_wooden_handle/show...
Downloaded Jun. 30, 2011.*

Red Firepick Axe: <http://store.harryepstein.com/cp/Axesandsheaths/1001000.html>. Downloaded Jul. 7, 2011.*

* cited by examiner

Primary Examiner — Philip S Hyder
Assistant Examiner — Roselynn Cody
(74) *Attorney, Agent, or Firm* — Gary E. Lambert; David J. Connaughton, Jr.; Lambert & Associates

(57) **CLAIM**

The ornamental design for a double wedge axe, as shown and described.

DESCRIPTION

FIG. 1 is an isometric view of a double axe wedge illustrating the ornamental features of the front of the axe with an axe wedge, and further illustrating a hookaroon extending from the backside of the wedge;

FIG. 2 is a left front-side view of the double axe wedge illustrating the side features of the axe including the hookaroon extending from the back left, and the wedged front with an outwardly extending protrusion;

FIG. 3 is a right front-side view of the double axe wedge illustrating the side features of the axe including the hookaroon extending from the back left, and the wedged front with an outwardly extending protrusion;

FIG. 4 is a top view of the double wedge axe illustrating the top features of the axe with an outwardly extending protrusion from the front wedge;

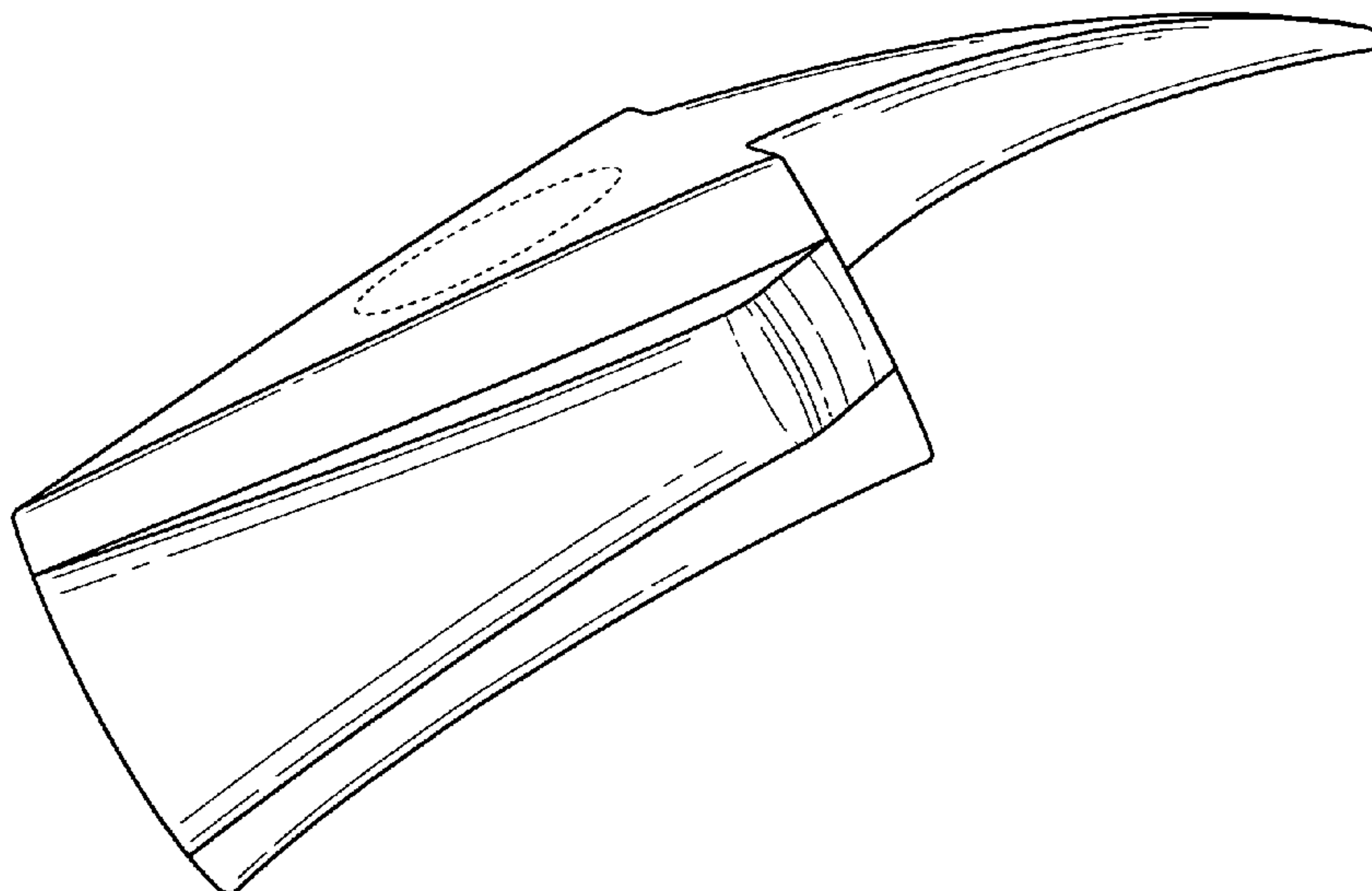
FIG. 5 is a bottom view of the double wedge axe illustrating a flat bottom with an outwardly extending protrusion from the front wedge;

FIG. 6 is a back view of the double wedge axe illustrating the front features of the hookaroon point extending outward and further illustrating the outwardly extending protrusion from the front wedge; and,

FIG. 7 is a front view of the double wedge axe illustrating the front features of the front wedge of the axe.

The broken lines in FIGS. 1 and 4 illustrate a feature of the double wedge axe that forms no part of the claimed design.

1 Claim, 4 Drawing Sheets



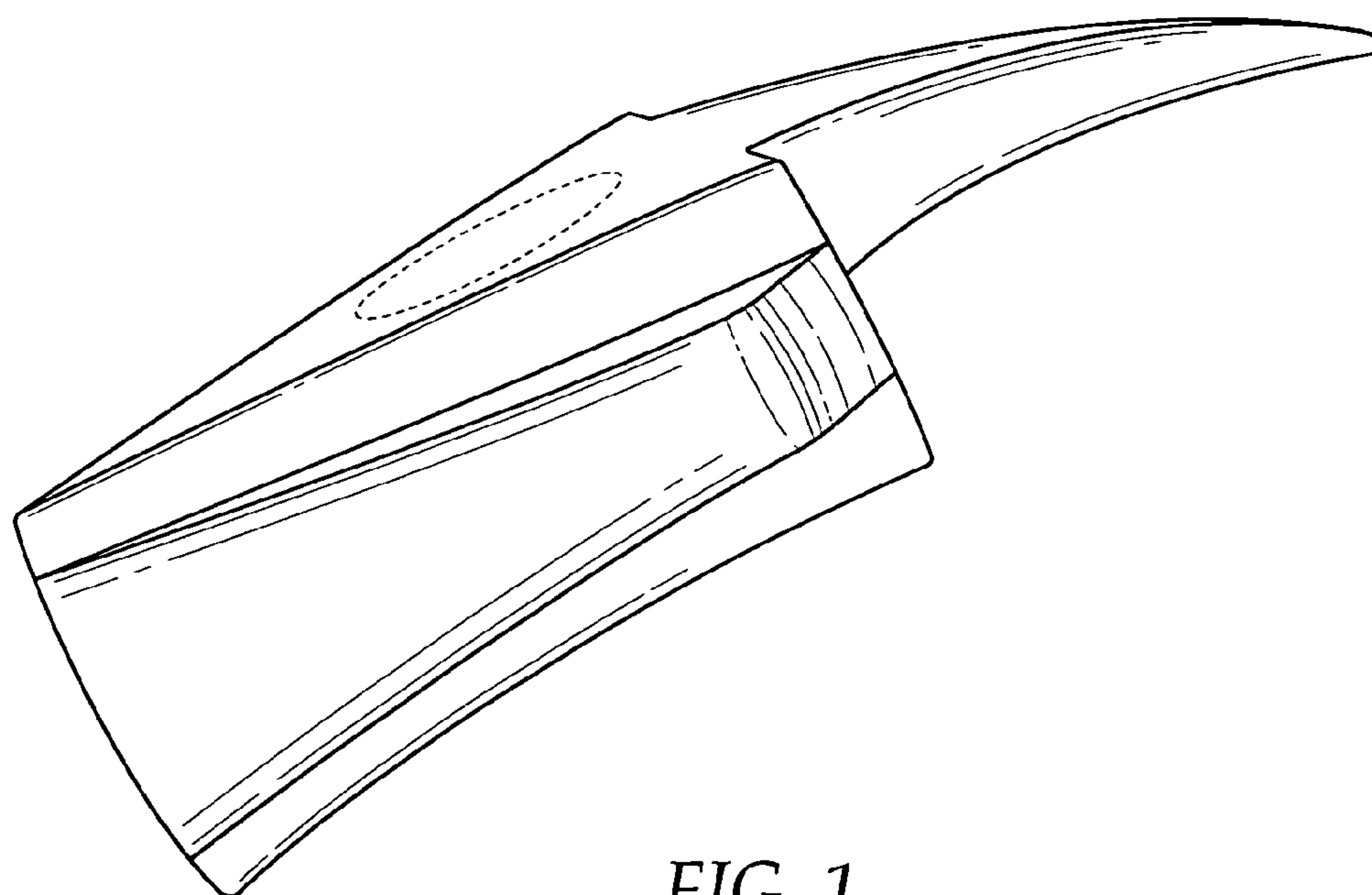


FIG. 1

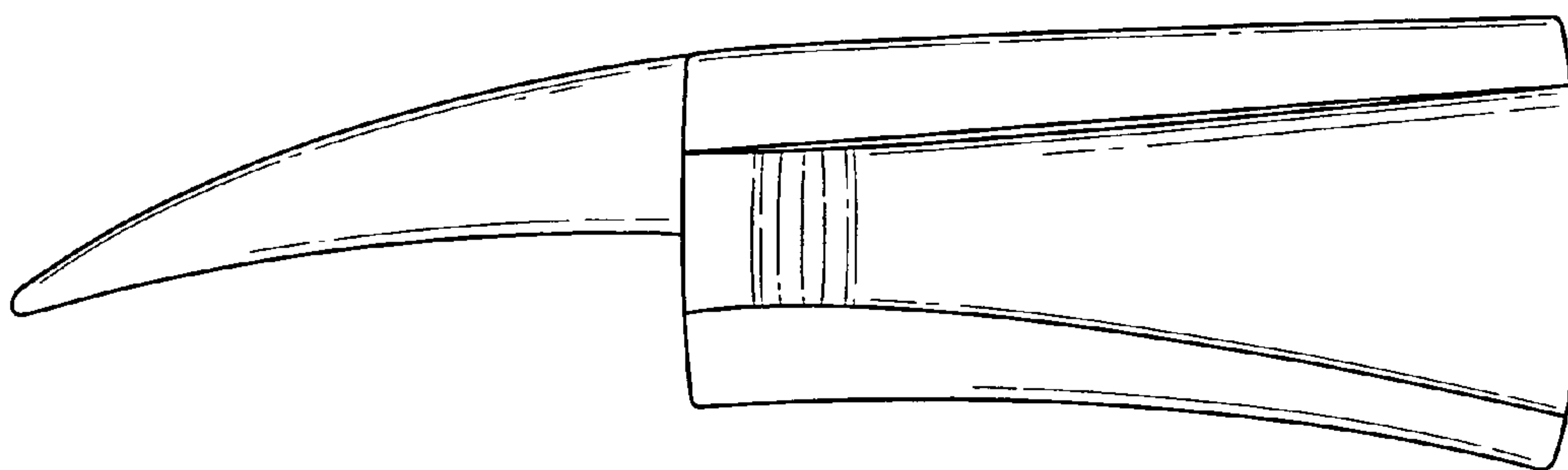


FIG. 2

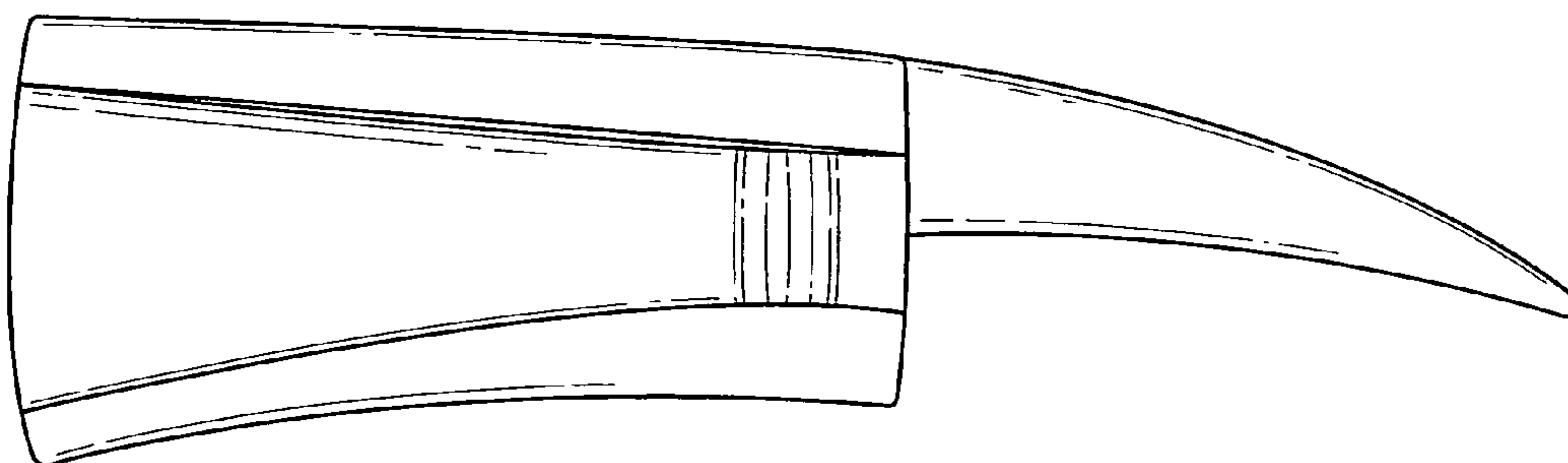


FIG. 3

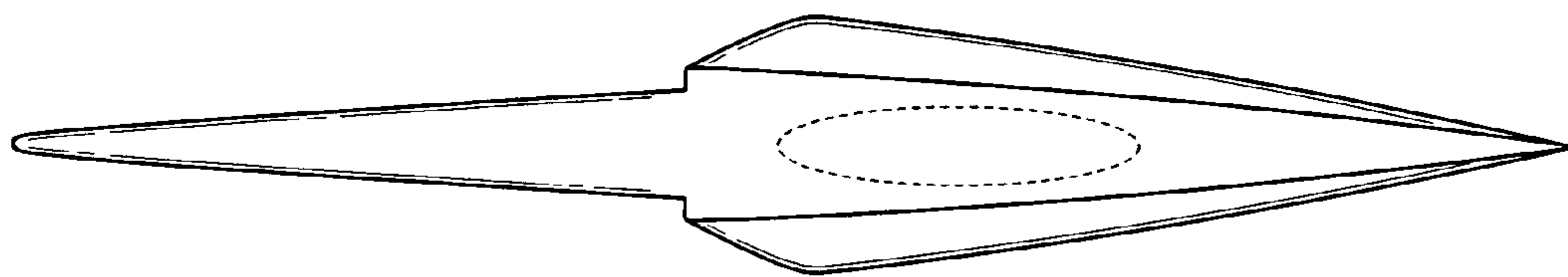


FIG. 4

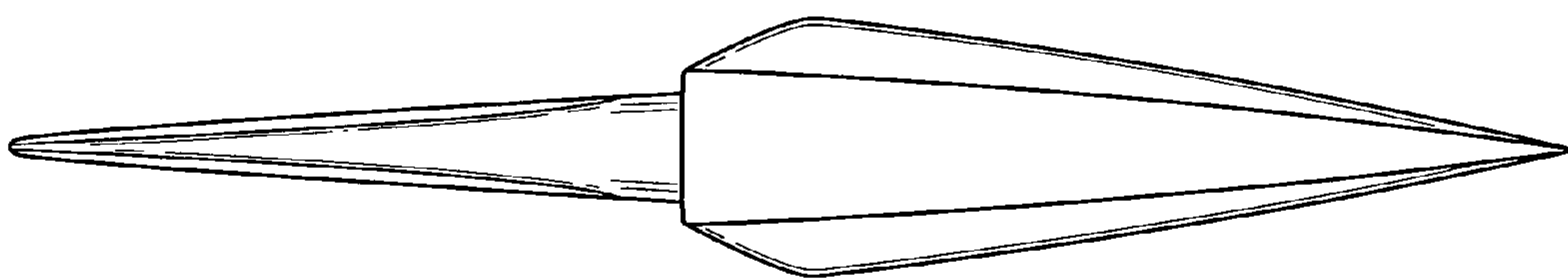


FIG. 5

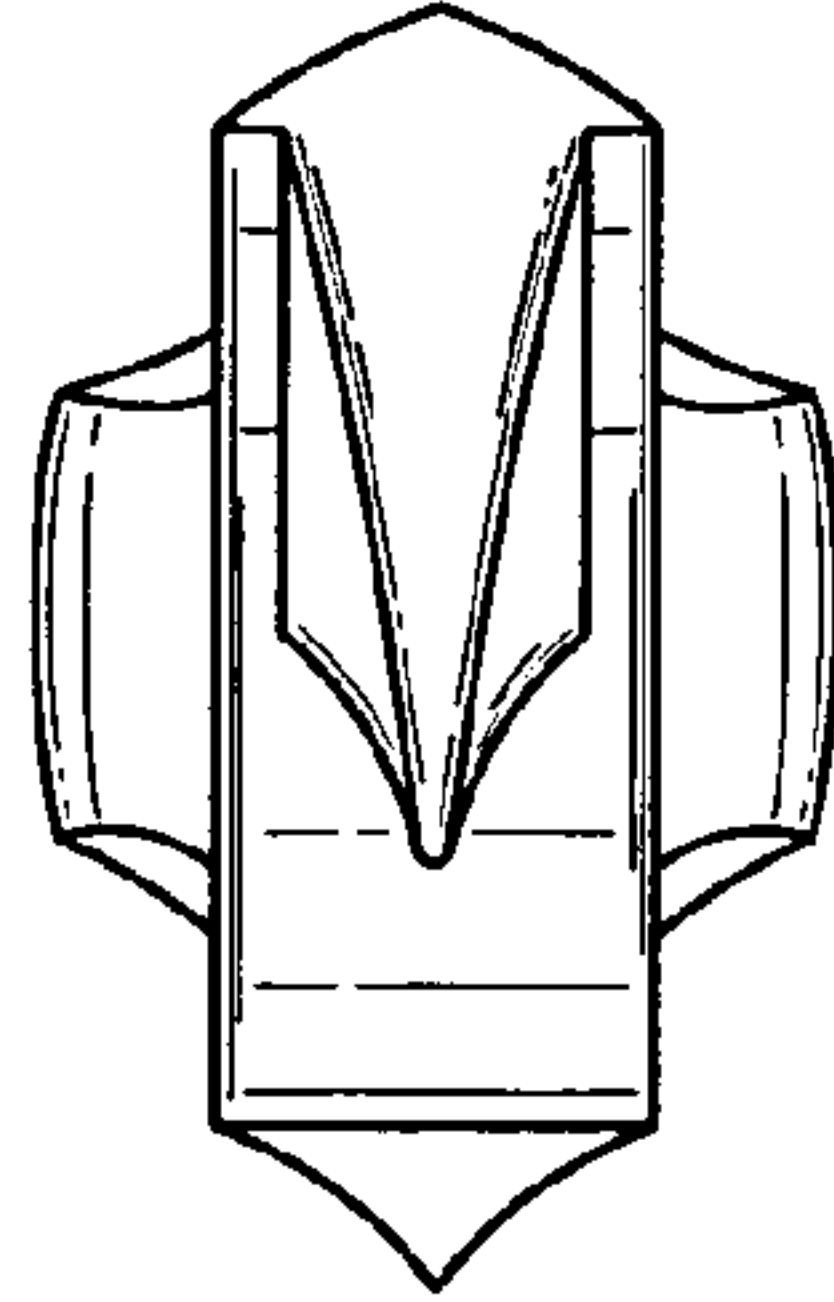


FIG. 6

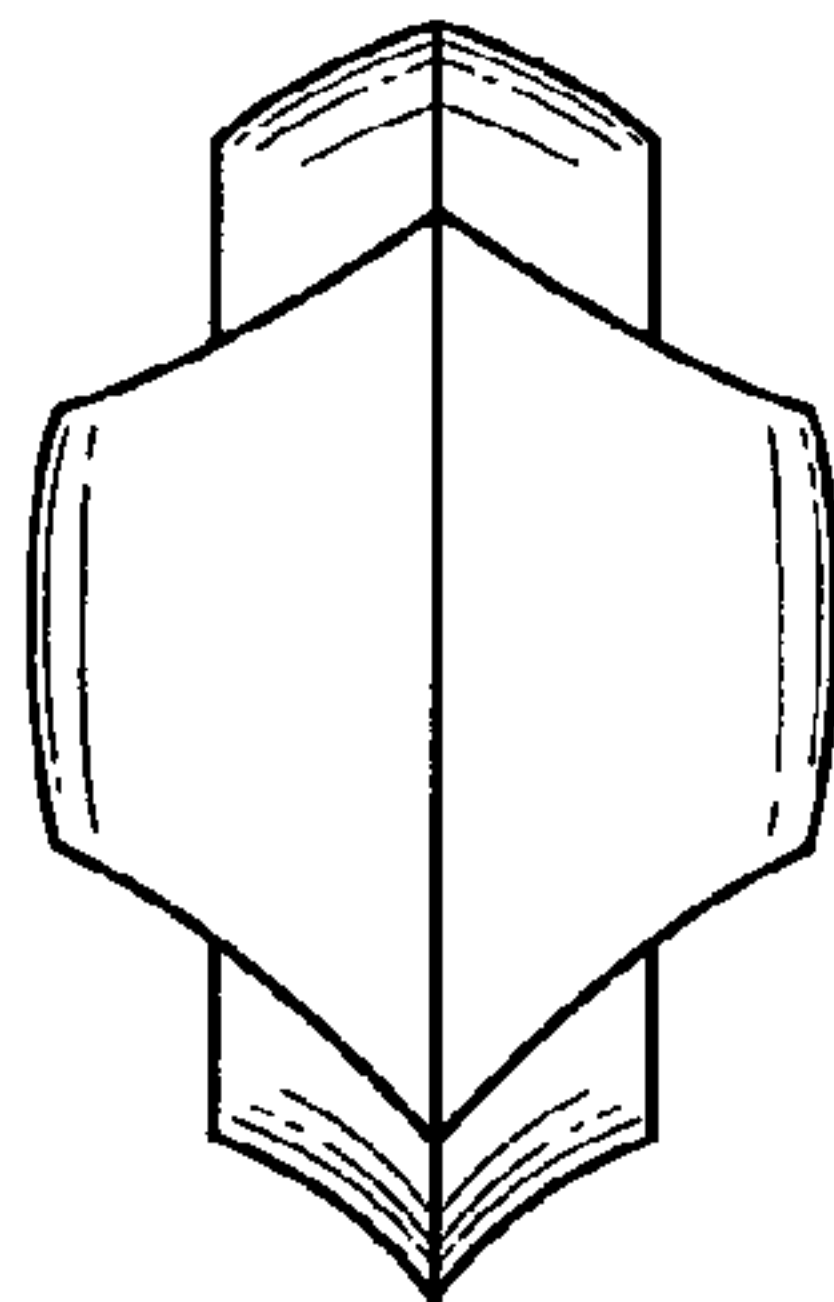


FIG. 7