



US00D661169S

(12) **United States Design Patent**
Tinius

(10) **Patent No.:** **US D661,169 S**

(45) **Date of Patent:** **** Jun. 5, 2012**

(54) **CHAIN GUARD**

(75) Inventor: **Michael Tinius**, Ulm (DE)

(73) Assignee: **Andreas Stihl AG & Co. KG**,
Waiblingen (DE)

(**) Term: **14 Years**

(21) Appl. No.: **29/391,240**

(22) Filed: **May 5, 2011**

(30) **Foreign Application Priority Data**

Feb. 21, 2011 (EM) 001823790-0002

(51) **LOC (9) Cl.** **08-03**

(52) **U.S. Cl.** **D8/65; D3/220**

(58) **Field of Classification Search** D8/65,
D8/7, 8, 9, 70, 66, 67, 62, 63, 64, 61, 91;
30/386, 383, 382, 371, 123, 381; 125/21;
D21/532; 83/832, 833, 834; 123/185.3

See application file for complete search history.

(56) **References Cited**

U.S. PATENT DOCUMENTS

3,059,673 A * 10/1962 Woleslagle 30/161
3,344,818 A * 10/1967 Musgrove 83/814
D248,422 S * 7/1978 Malcolm D3/269
4,447,953 A * 5/1984 Lombardino et al. 30/382

D359,849 S * 7/1995 Griffin D3/269
D443,759 S * 6/2001 Bloch D3/220
D506,797 S * 6/2005 Carbonero D21/754
D508,317 S * 8/2005 Kanzawa D3/220
D534,408 S * 1/2007 Sultan D8/70
D535,169 S * 1/2007 Sultan D8/70
D535,538 S * 1/2007 Sultan D8/70
D538,620 S * 3/2007 Sultan D8/70
2004/0074793 A1 * 4/2004 Anderson et al. 206/349
2006/0248734 A1 * 11/2006 Lawler 30/382
2011/0192039 A1 * 8/2011 Fuchs et al. 30/383

* cited by examiner

Primary Examiner — Austin Murphy

(74) *Attorney, Agent, or Firm* — McGuireWoods LLP

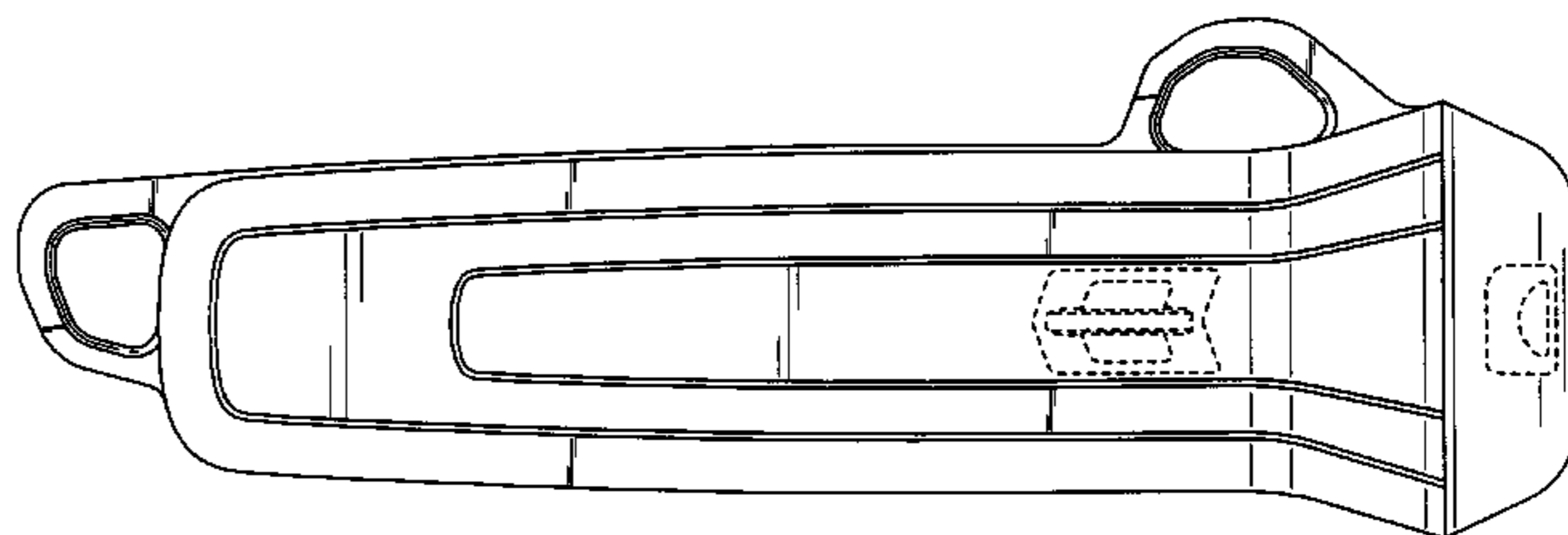
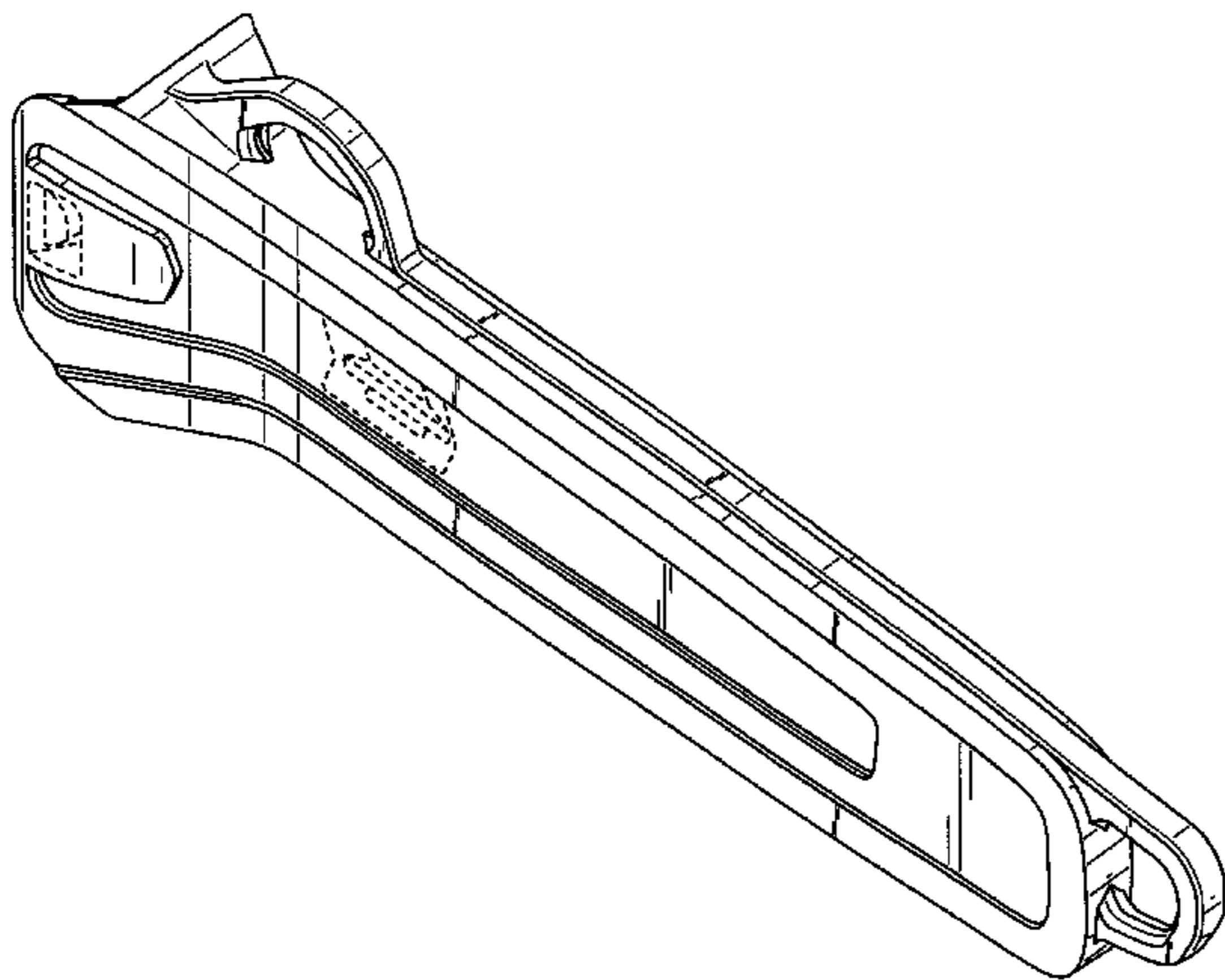
(57) **CLAIM**

I claim the ornamental design for a chain guard, as shown and described.

DESCRIPTION

FIG. 1 is a left perspective view of the chain guard;
FIG. 2 is a rear view of the chain guard shown in FIG. 1;
FIG. 3 is a front view of the chain guard shown in FIG. 1;
FIG. 4 is a right side view of the chain guard shown in FIG. 1;
FIG. 5 is a left side view of the chain guard shown in FIG. 1;
FIG. 6 is a top view of the chain guard shown in FIG. 1; and,
FIG. 7 is a bottom view of the chain guard shown in FIG. 1.
The broken lines shown in the drawings represent unclaimed portions of the chain guard that form no part of the claimed design.

1 Claim, 5 Drawing Sheets



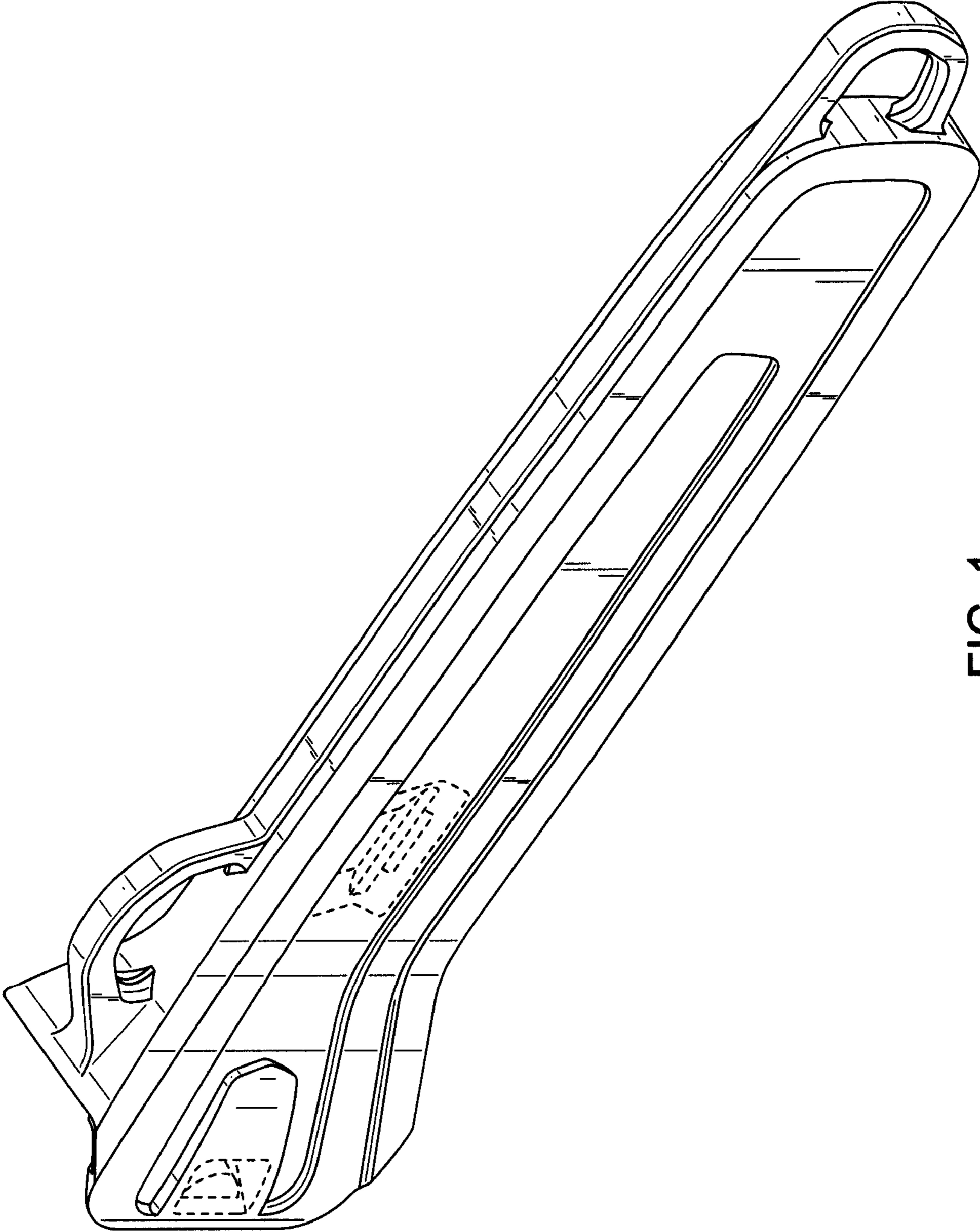


FIG. 1

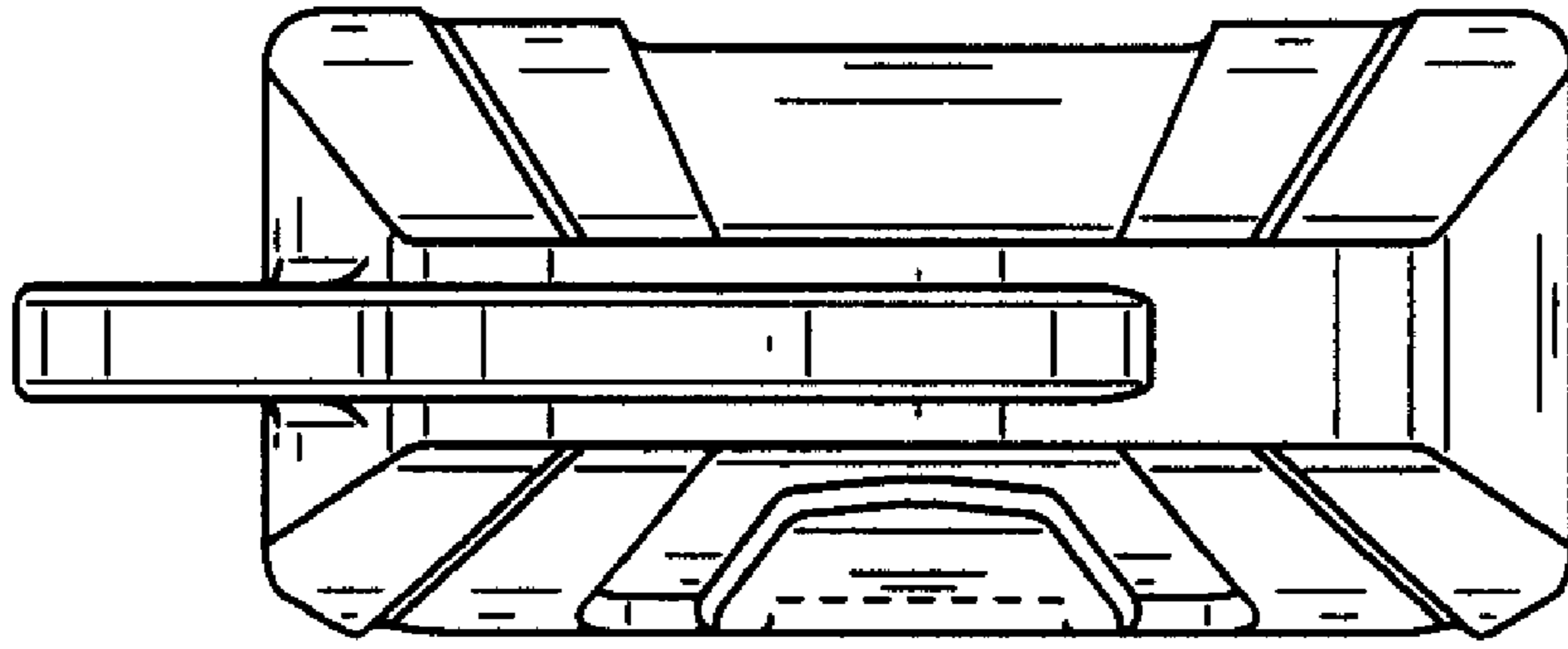


FIG. 3

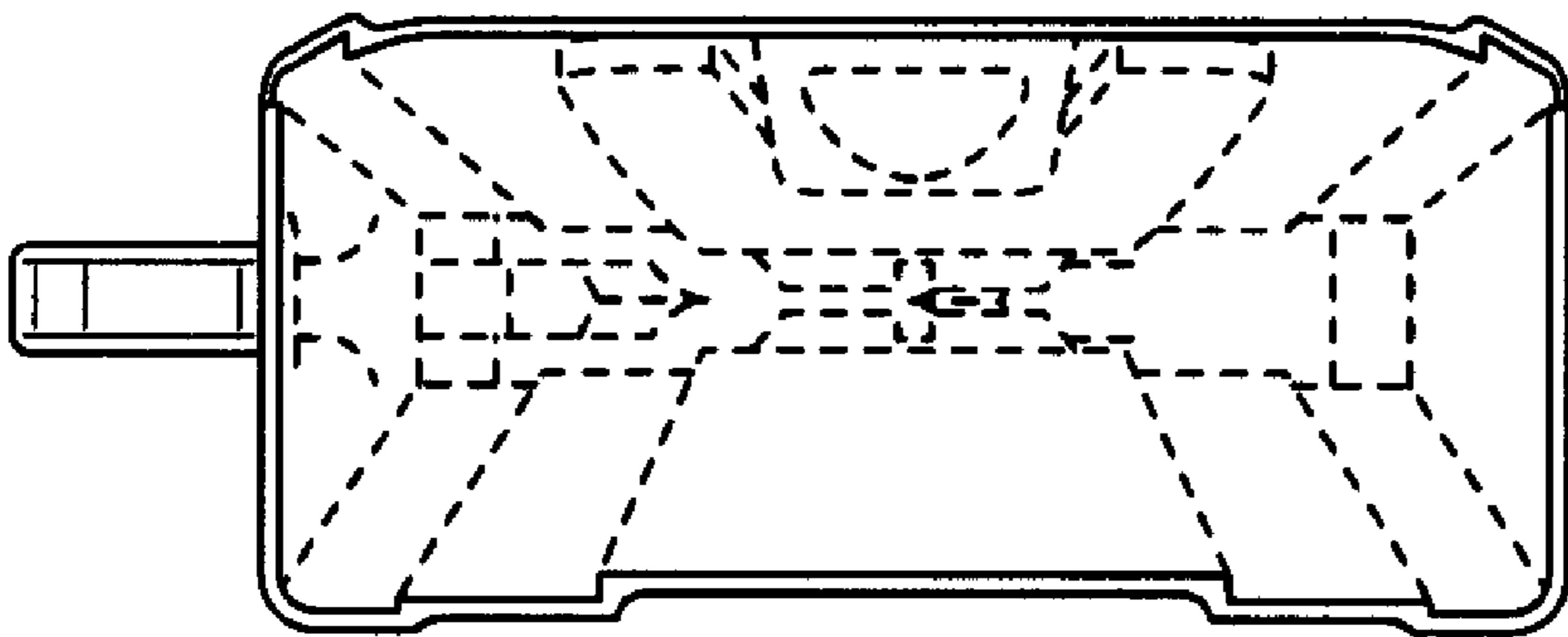


FIG. 2

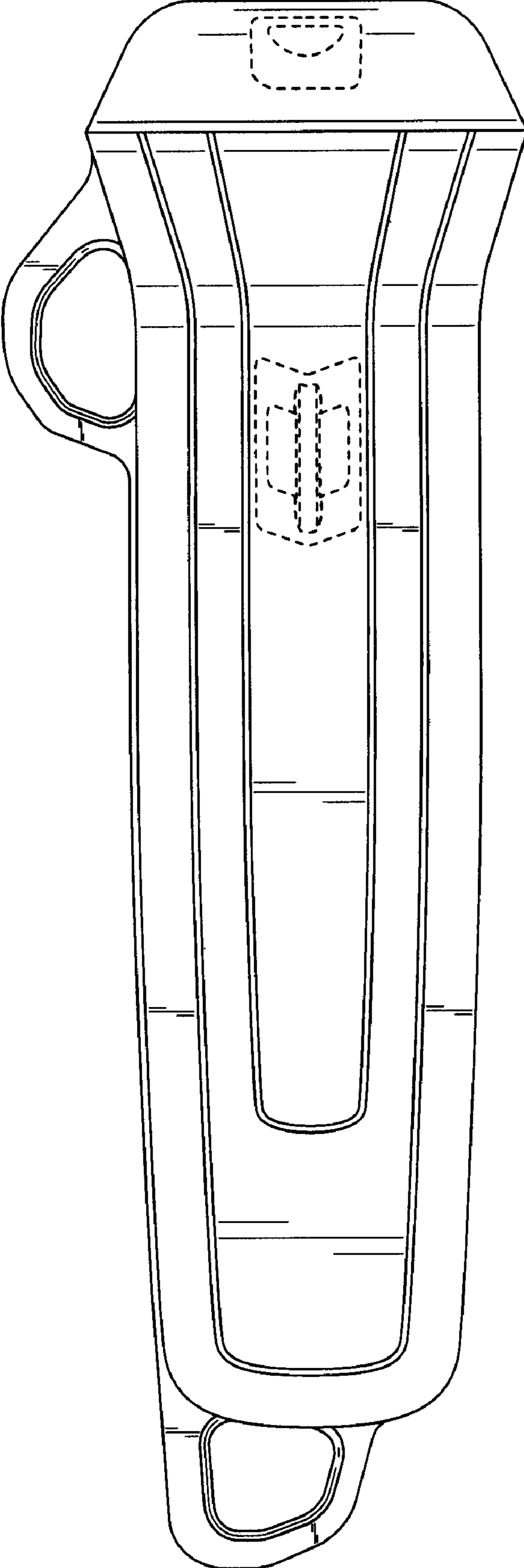


FIG. 4

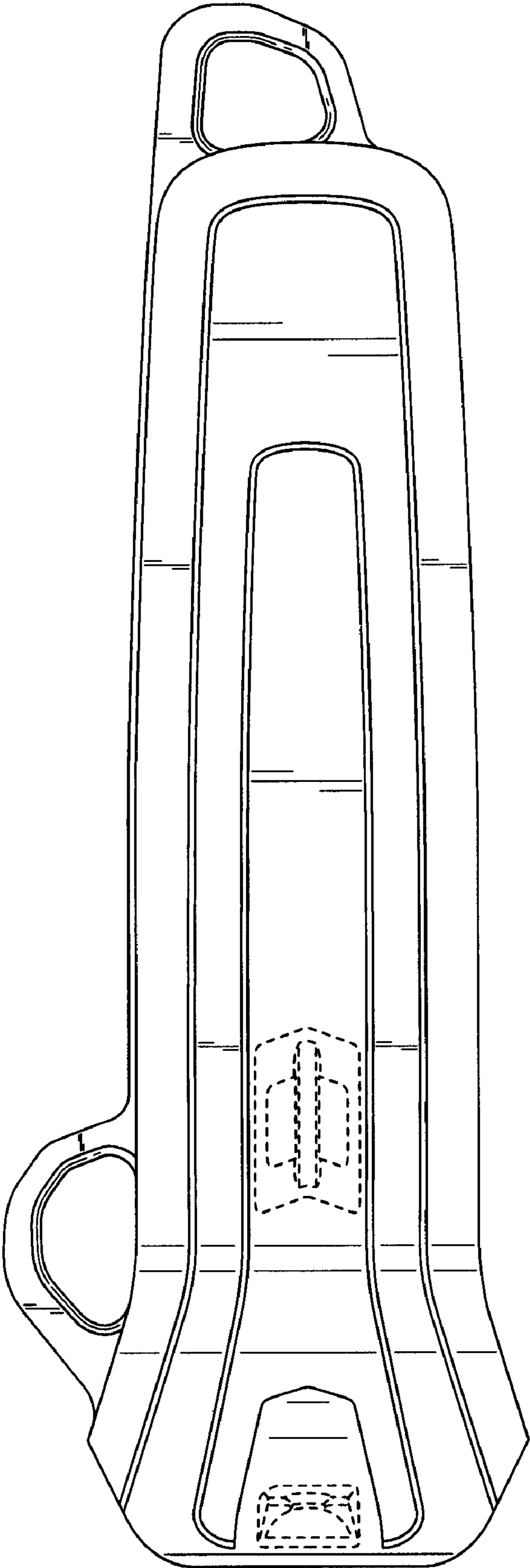


FIG. 5

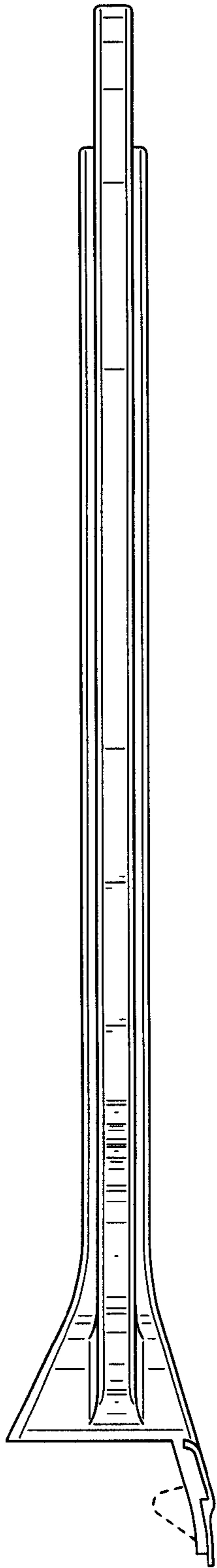


FIG. 6

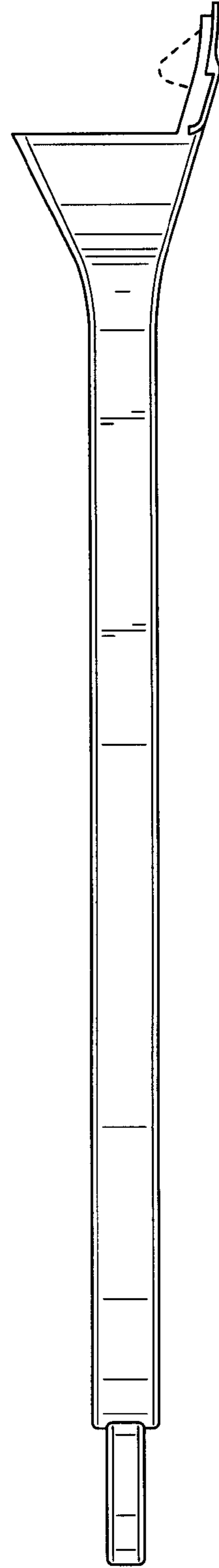


FIG. 7