



US00D661167S

(12) **United States Design Patent**
Orr

(10) **Patent No.:** **US D661,167 S**

(45) **Date of Patent:** **** Jun. 5, 2012**

(54) **WRENCH FOR AN APPLIANCE FAN**

(76) **Inventor:** **Stanley T. Orr, Cascade, IA (US)**

(**) **Term:** **14 Years**

(21) **Appl. No.:** **29/374,768**

(22) **Filed:** **Oct. 4, 2011**

(51) **LOC (9) Cl.** **08-05**

(52) **U.S. Cl.** **D8/29; D8/26**

(58) **Field of Classification Search** D8/21-29;
81/60, 177.1, 177.85, 121.1, 124.3, 165-170,
81/110.1, 176.2, 124.6, 176.1, 176.15, 177.2;
16/110.1; D15/144.1; 219/75, 227, 229,
219/121.16, 121.18

See application file for complete search history.

(56) **References Cited**

U.S. PATENT DOCUMENTS

4,562,758	A *	1/1986	Stirling	81/124.4
4,836,065	A *	6/1989	Setliff	81/124.2
5,048,378	A *	9/1991	Nikolas	81/124.2
6,044,502	A *	4/2000	Fountain	4/661
6,044,732	A *	4/2000	Astle	81/176.15
D434,291	S *	11/2000	Kim	D8/21
6,564,679	B1 *	5/2003	Llamas et al.	81/176.15
D480,933	S *	10/2003	Wendt	D8/21
6,826,984	B2 *	12/2004	Poppen	81/176.15

D513,465	S *	1/2006	Carey	D8/14
7,013,764	B2 *	3/2006	Leatherby	81/176.15
8,037,587	B1 *	10/2011	Lott	29/278
2011/0226097	A1 *	9/2011	Attebury et al.	81/124.6

* cited by examiner

Primary Examiner — Raphael Barkai

Assistant Examiner — Randall Gholson

(74) *Attorney, Agent, or Firm* — Tipton L. Randall

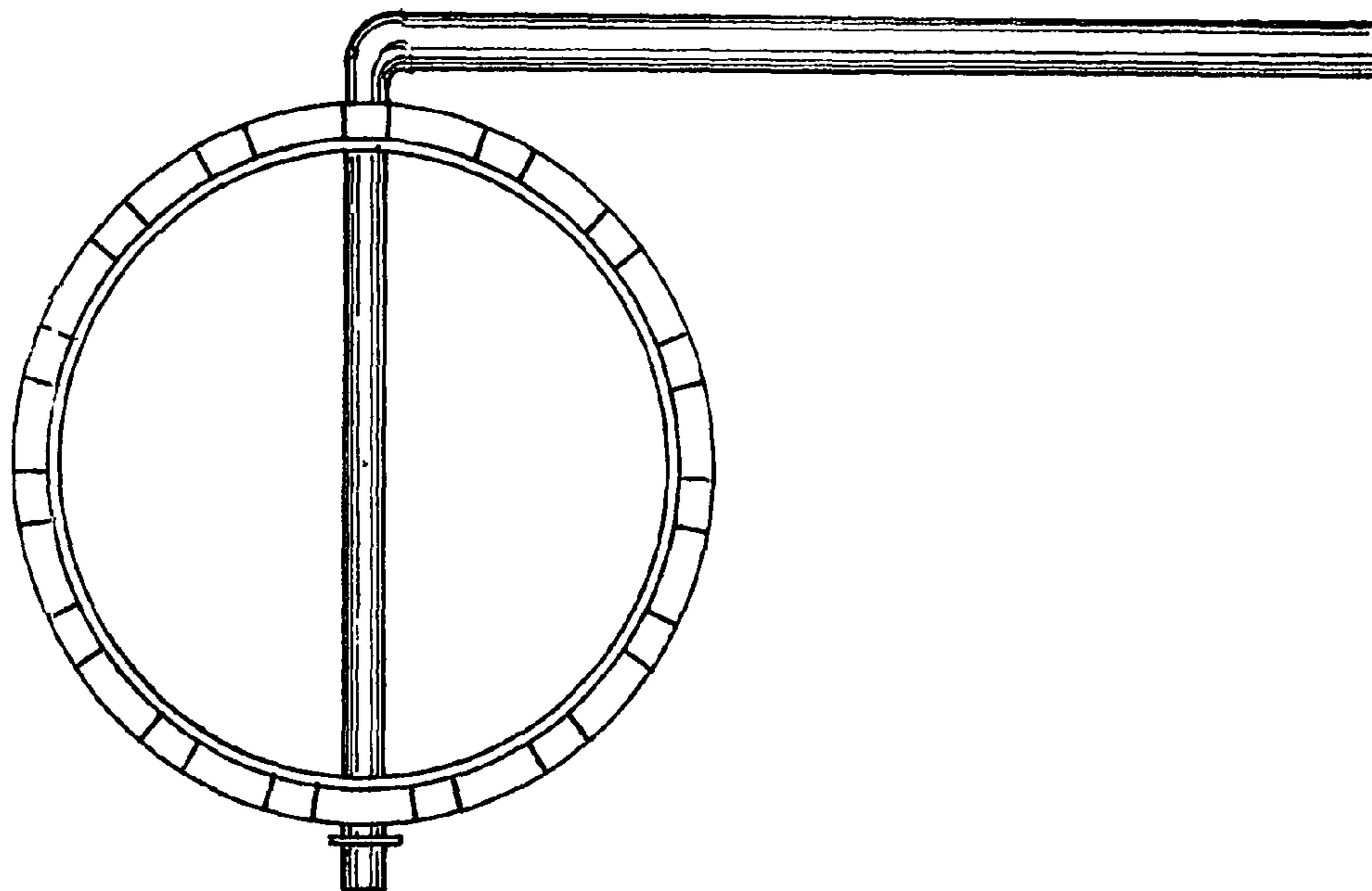
(57) **CLAIM**

The ornamental design for a wrench for an appliance fan, as shown and described.

DESCRIPTION

FIG. 1 is a top view of the wrench for an appliance fan embodying my new design,
FIG. 2 is a bottom view thereof,
FIG. 3 is a front view thereof,
FIG. 4 is a rear view thereof,
FIG. 5 is a right side view thereof,
FIG. 6 is a left side view thereof,
FIG. 7 is a perspective side view thereof; and,
FIG. 8 is a bottom view of the wrench for an appliance fan engaged with an appliance fan, the appliance fan shown in phantom comprising no part of the present invention.

1 Claim, 8 Drawing Sheets



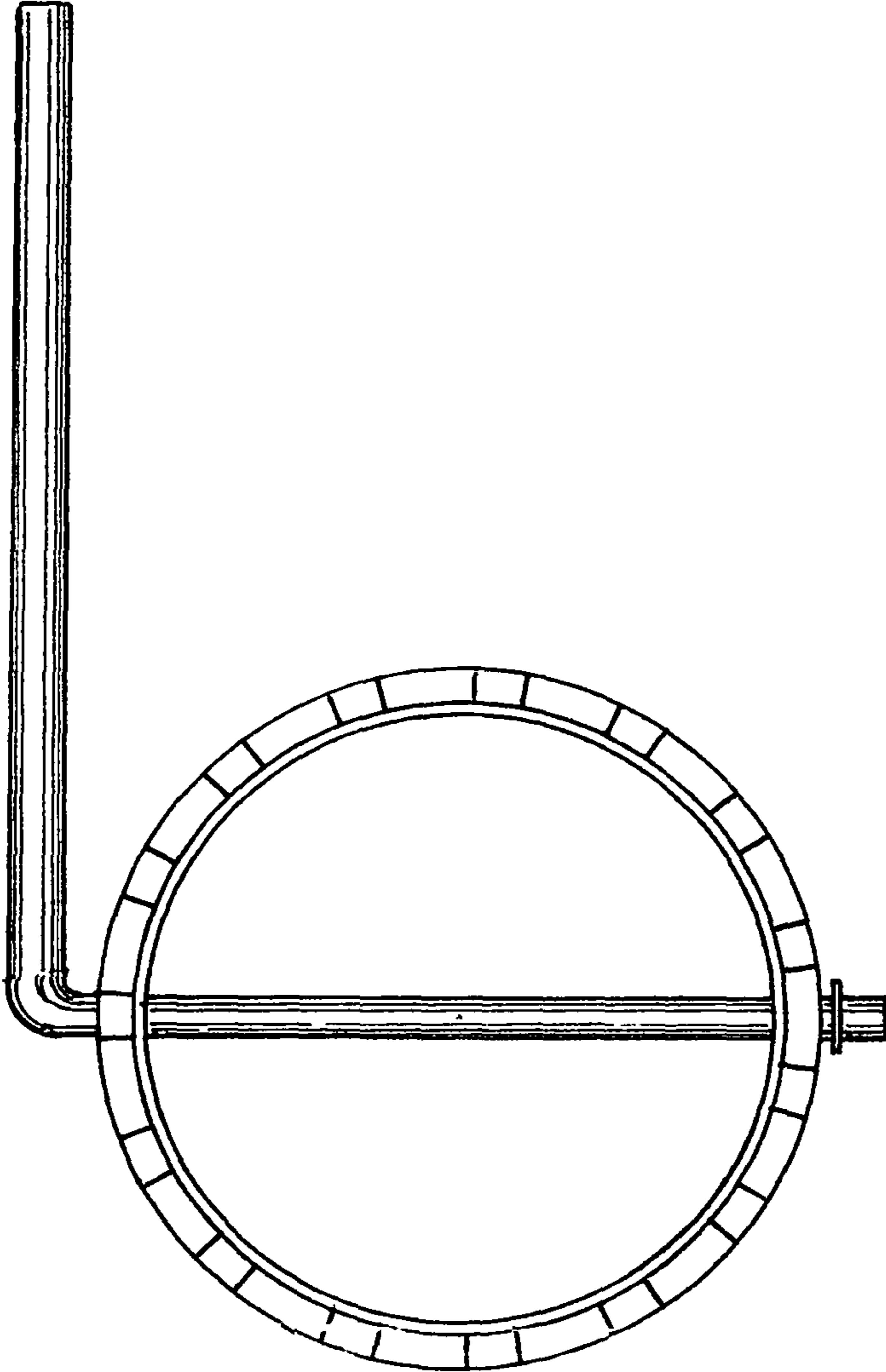


Figure 1

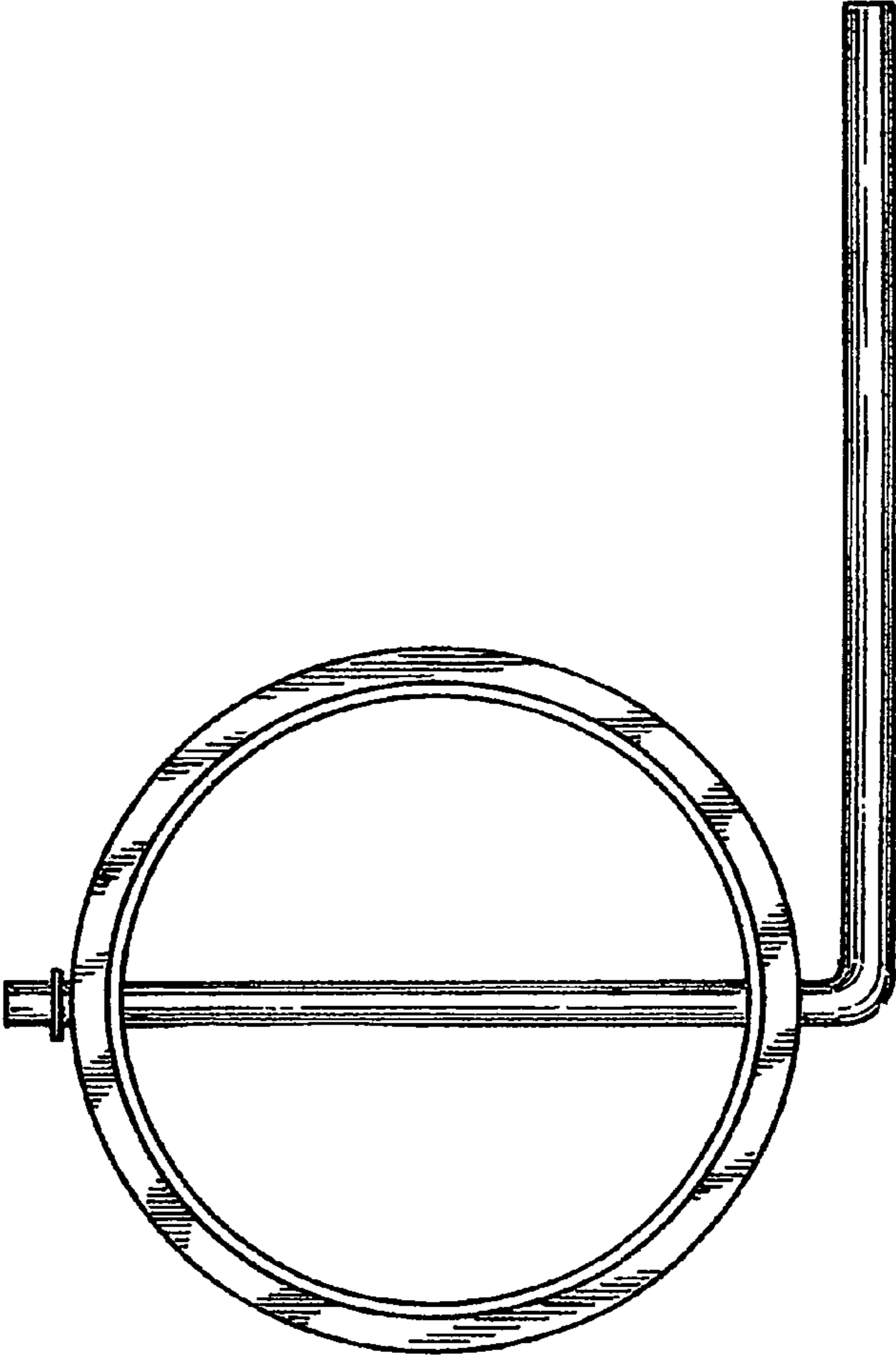


Figure 2

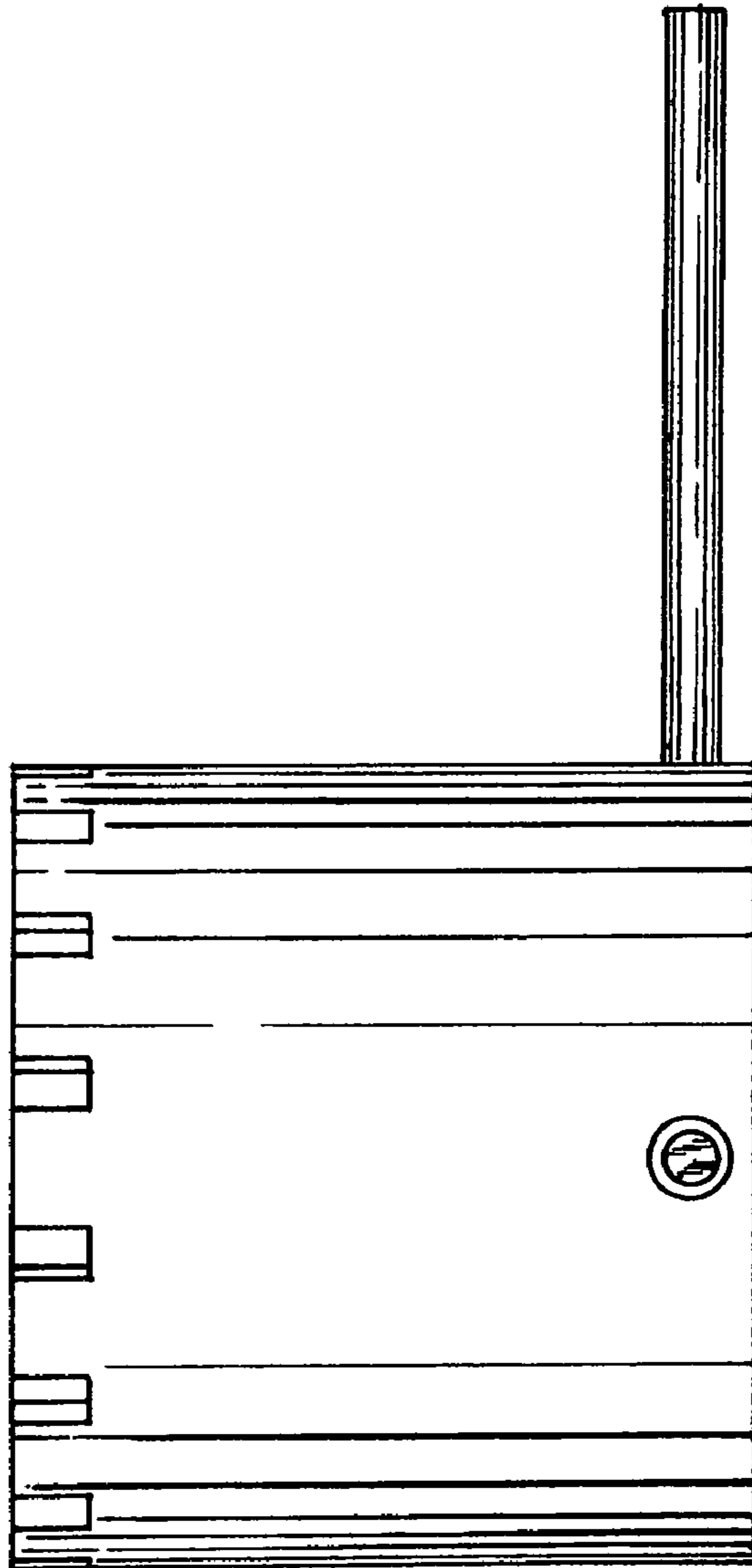


Figure 3

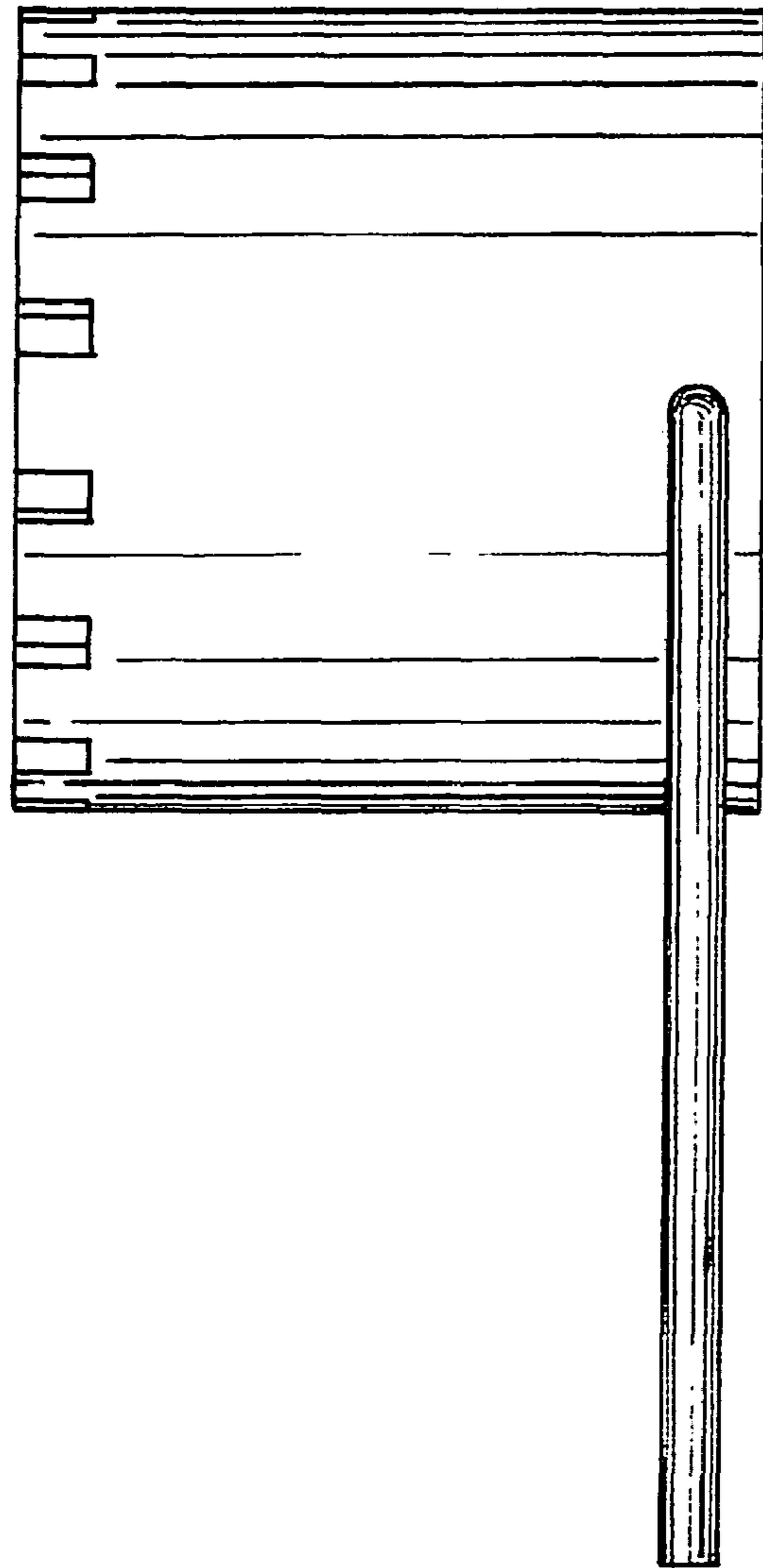


Figure 4

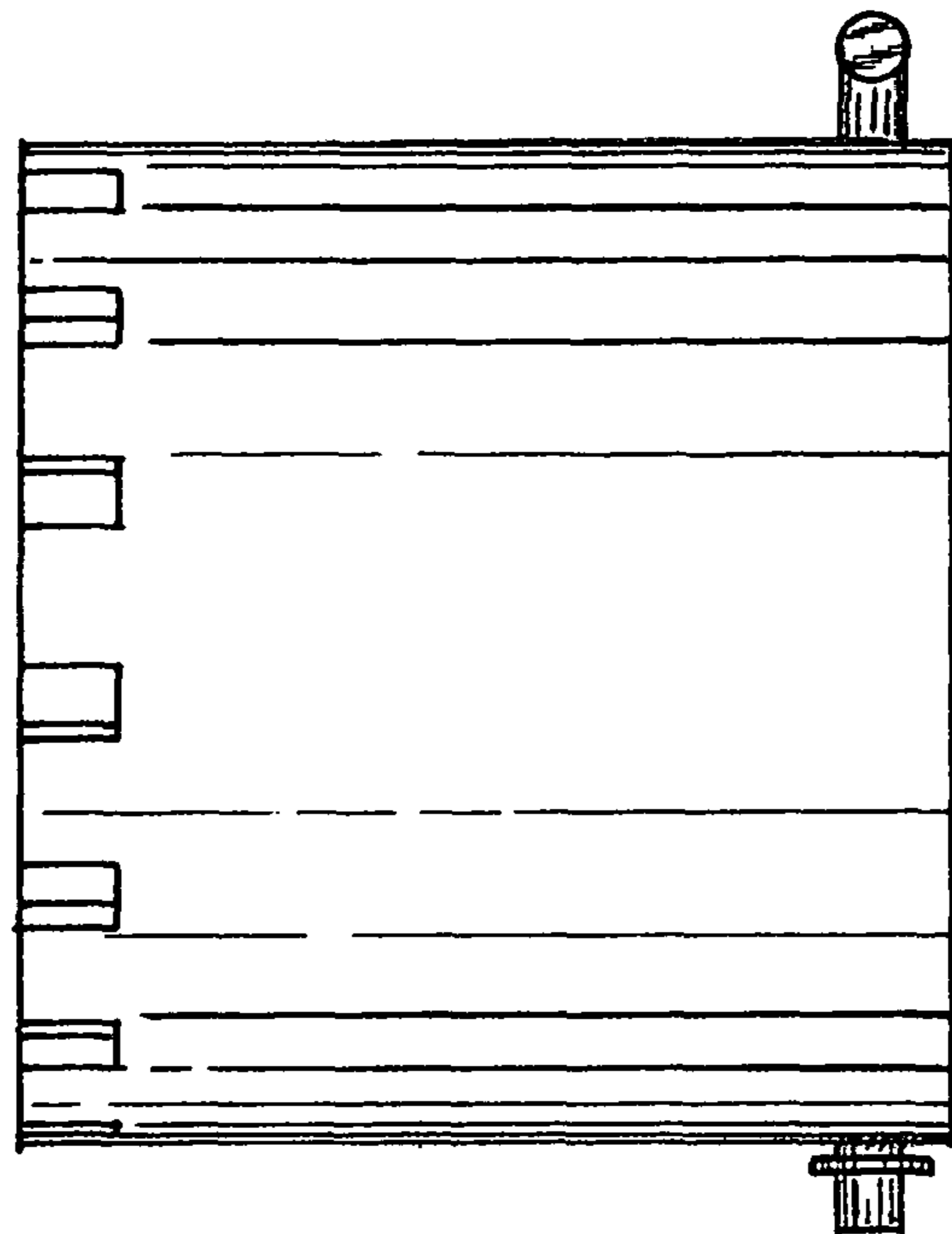


Figure 5

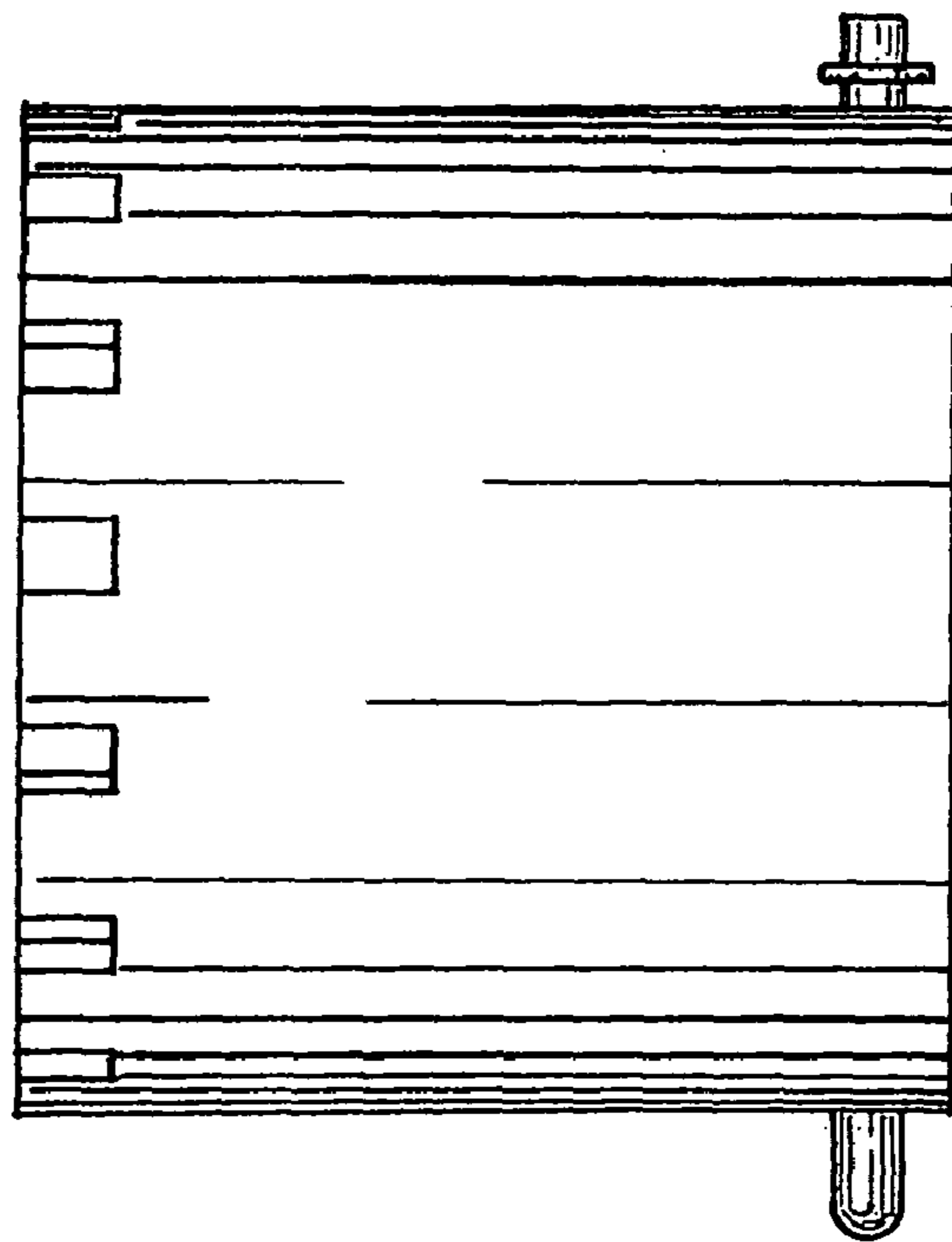


Figure 6

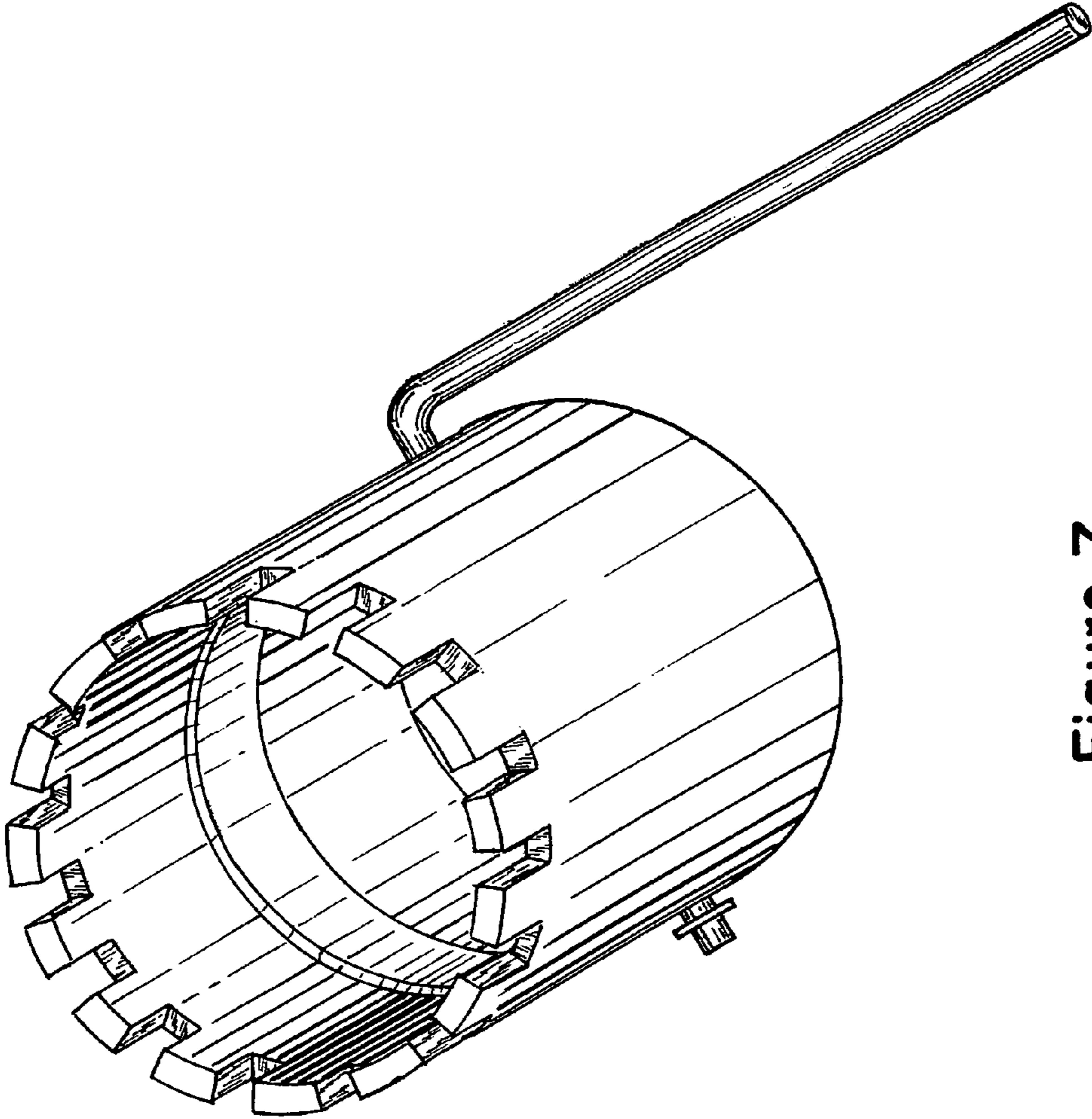


Figure 7

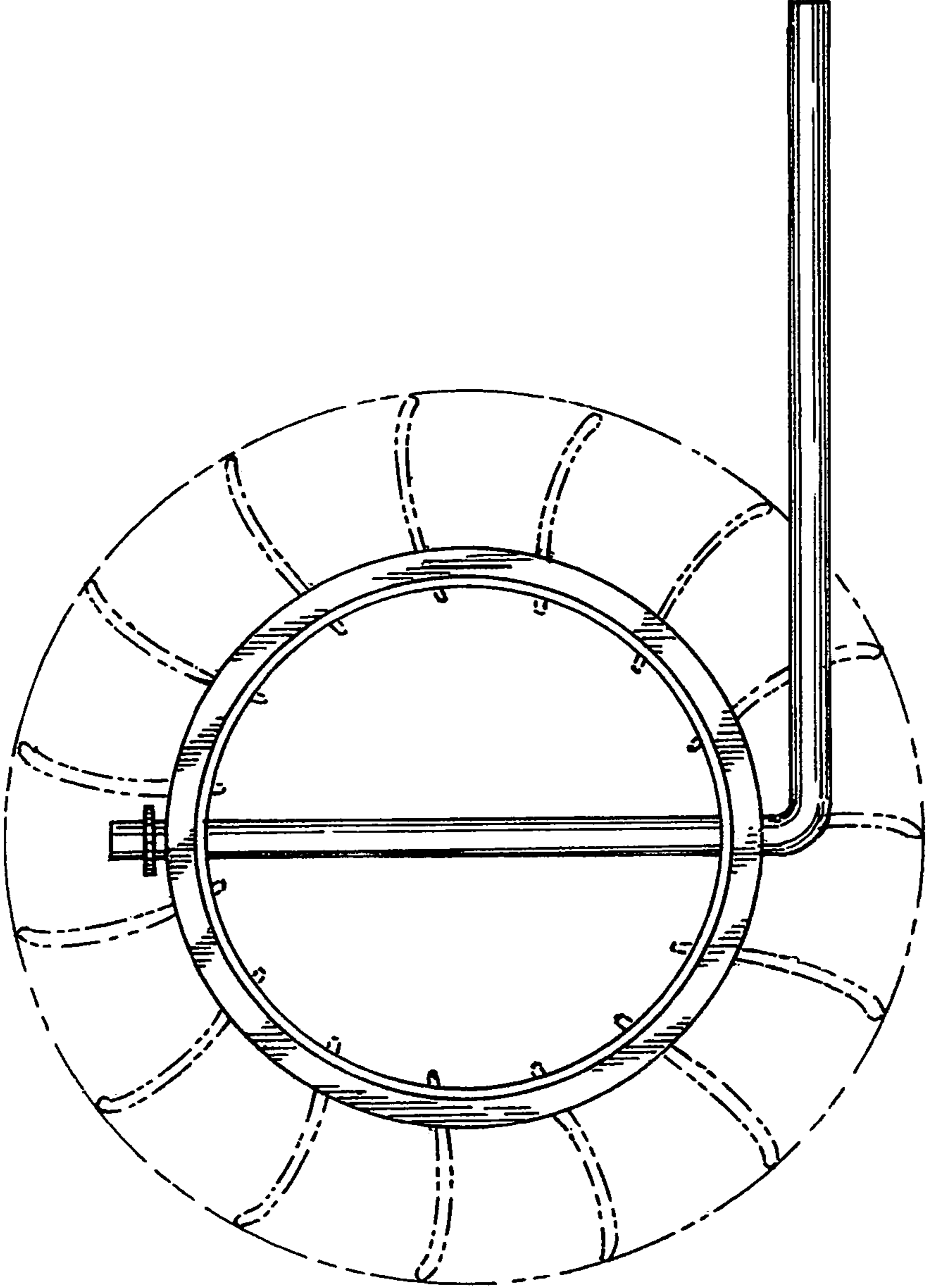


Figure 8