



US00D661166S

(12) **United States Design Patent**
Christopher et al.

(10) **Patent No.:** **US D661,166 S**
(45) **Date of Patent:** **** Jun. 5, 2012**

(54) **WRENCH**

(75) Inventors: **Brent Christopher**, Portland, OR (US);
Da Nian Yang, Shanghai (CN); **Hua An Xu**, Shanghai (CN)

(73) Assignee: **Meridian International Co., Ltd.** (CN)

(**) Term: **14 Years**

(21) Appl. No.: **29/407,421**

(22) Filed: **Nov. 29, 2011**

(51) **LOC (9) Cl.** **08-05**

(52) **U.S. Cl.** **D8/25**

(58) **Field of Classification Search** D8/17,
D8/21-29, 97, 107; 81/60, 177.1, 177.85,
81/121.1, 124.3, 165-170, 110.1, 176.2,
81/124.6, 176.1, 176.15, 177.2, 186; 16/110.1;
D15/144.1; 219/75, 227, 229, 121.16, 121.18
See application file for complete search history.

(56) **References Cited**

U.S. PATENT DOCUMENTS

1,811,137 A * 6/1931 Kress 81/124.3
D551,525 S * 9/2007 Desbrunes D8/28

D601,871 S 10/2009 Murray
D622,566 S * 8/2010 Murray et al. D8/28
D639,624 S * 6/2011 Murray et al. D8/28

OTHER PUBLICATIONS

Kobalt 15 pc. Multi-Drive Wrench.

* cited by examiner

Primary Examiner — Raphael Barkai

Assistant Examiner — Randall H Gholson

(74) *Attorney, Agent, or Firm* — Jason R. Sytsma;
Shuttleworth & Ingersoll, PLC

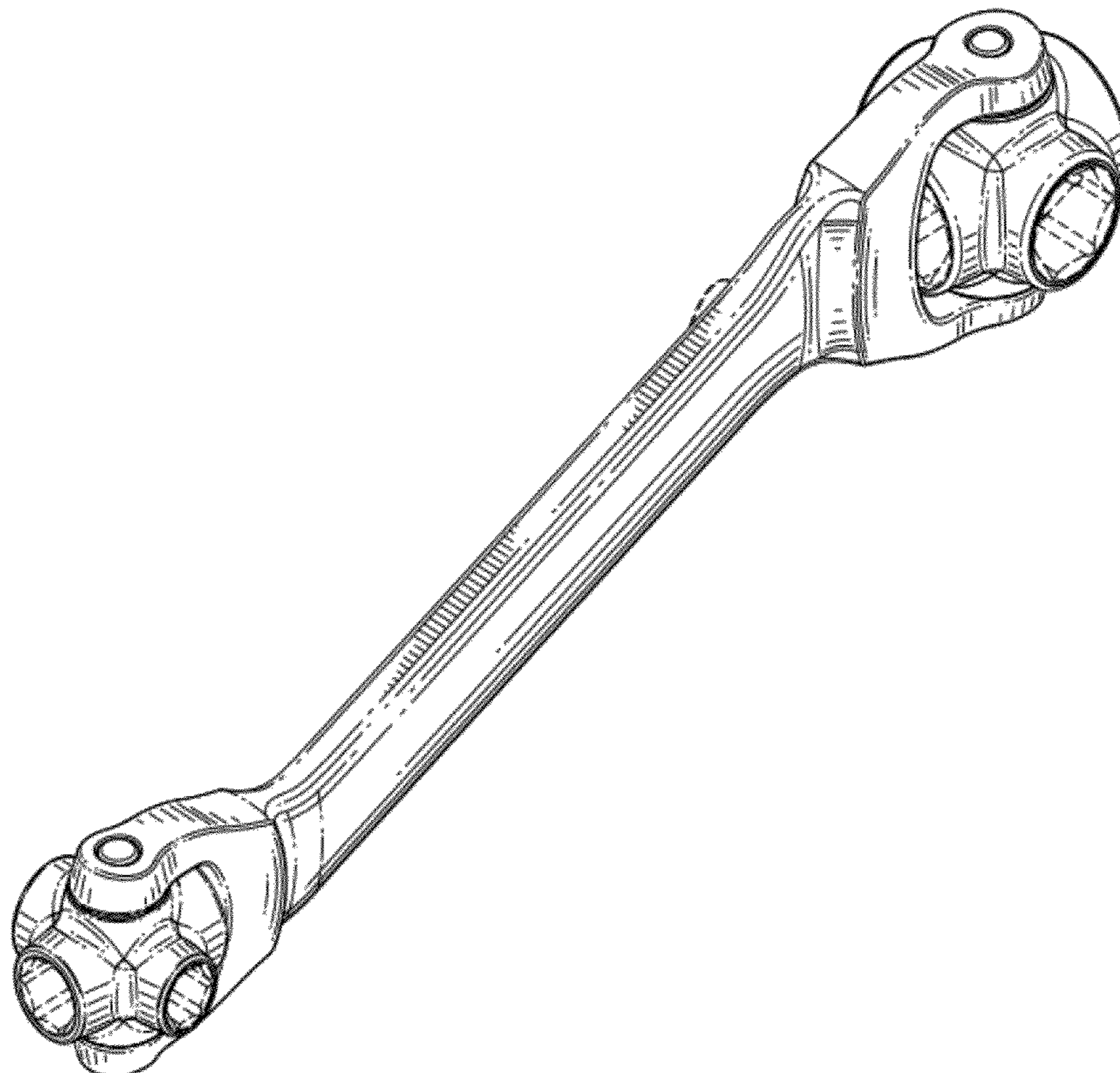
(57) **CLAIM**

The ornamental design for wrench, as shown.

DESCRIPTION

FIG. 1 is a perspective view of a first embodiment thereof;
FIG. 2 is a front-side view of a first embodiment thereof;
FIG. 3 is a back-side view of a first embodiment thereof;
FIG. 4 is a right-side view of a first embodiment thereof;
FIG. 5 is a top view of a first embodiment thereof; and,
FIG. 6 is a bottom view of a first embodiment thereof.
Petitioner disclaims the shape and configuration of the fea-
tures of those portions shown in broken lines.

1 Claim, 4 Drawing Sheets



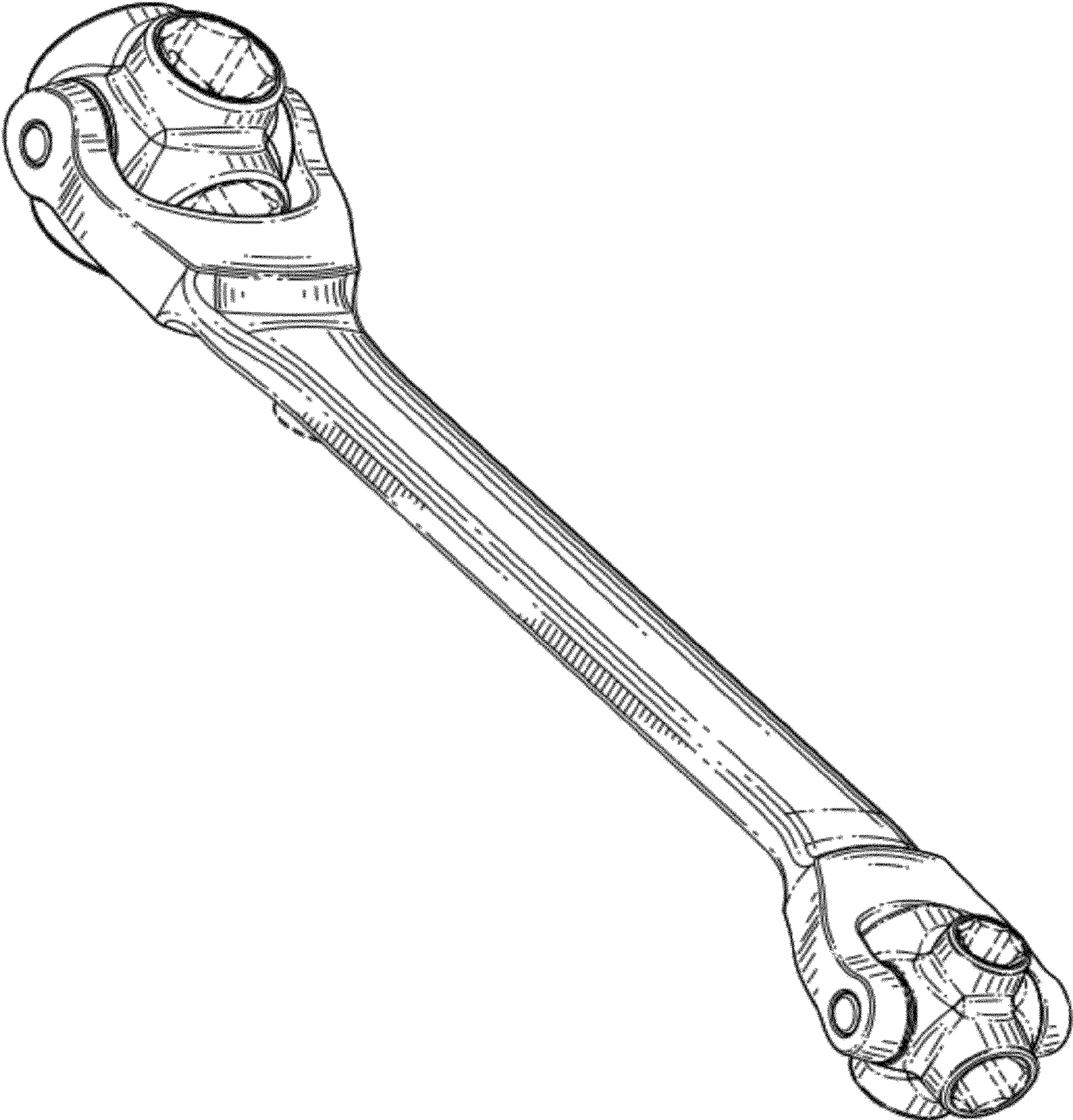


FIG.1

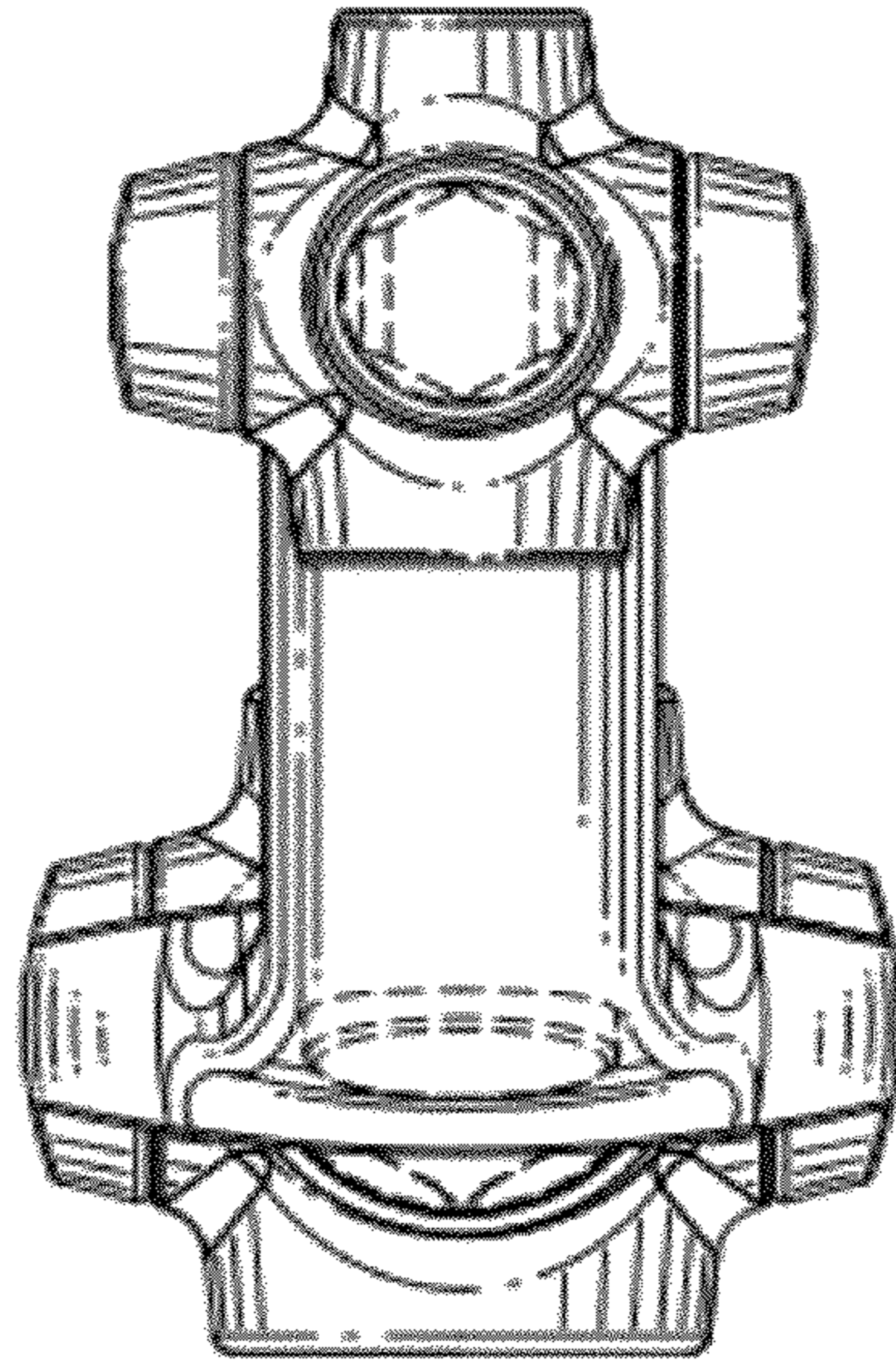


FIG. 2

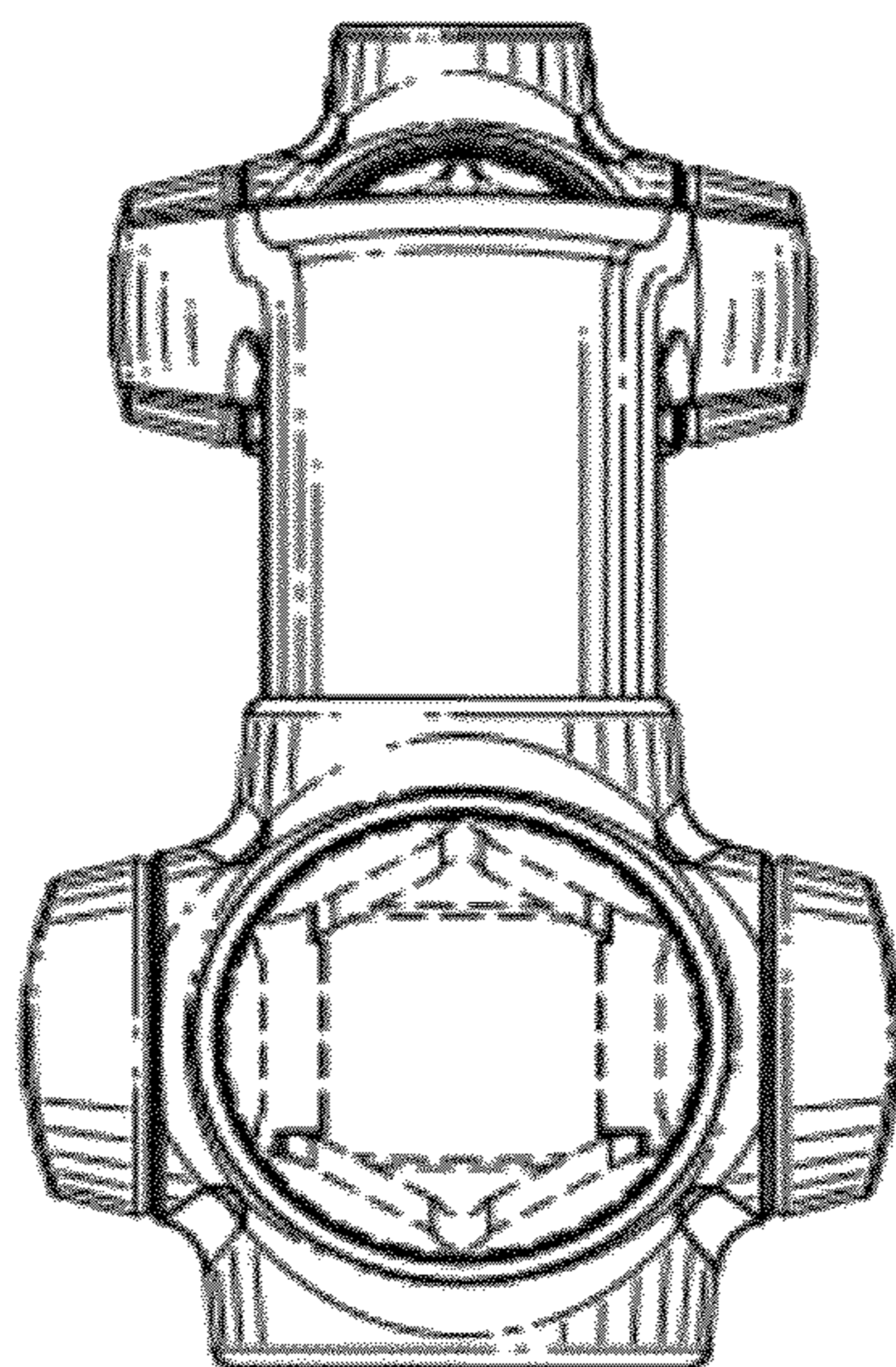


FIG. 3

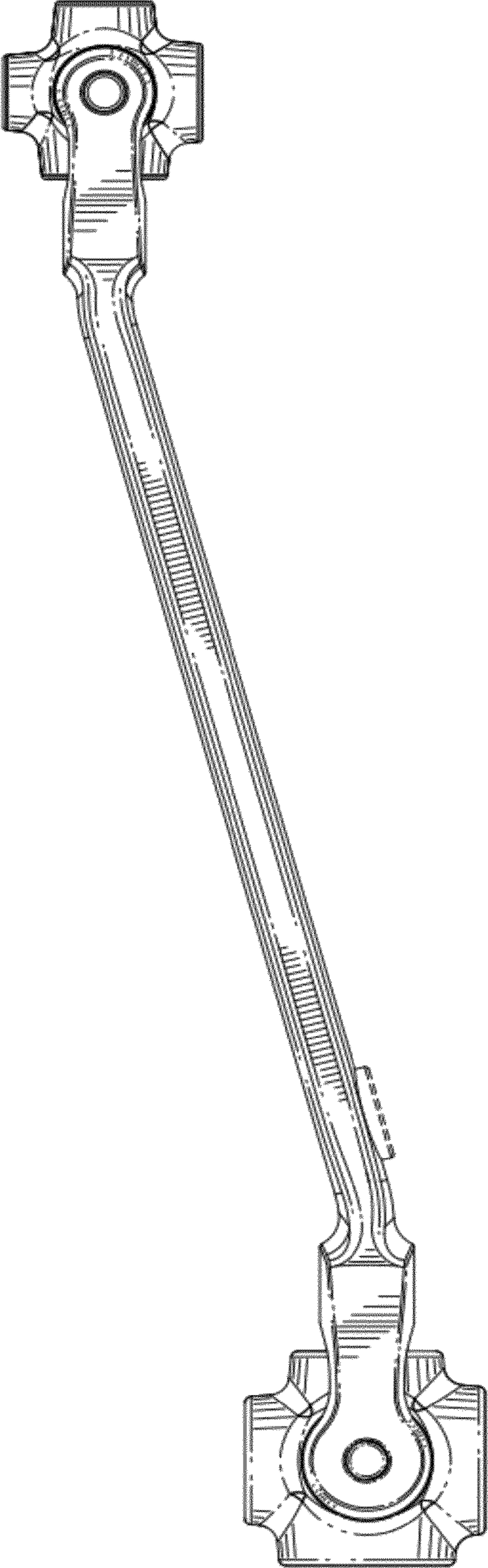


FIG.4

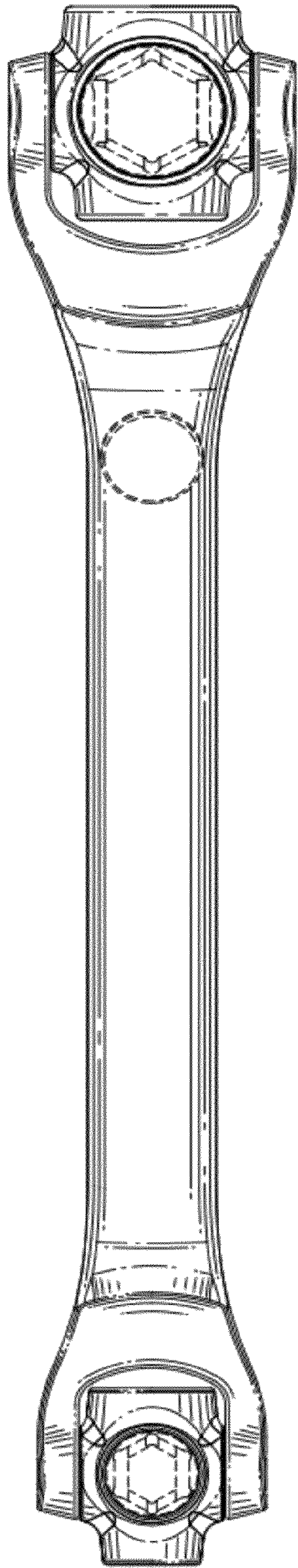


FIG. 5

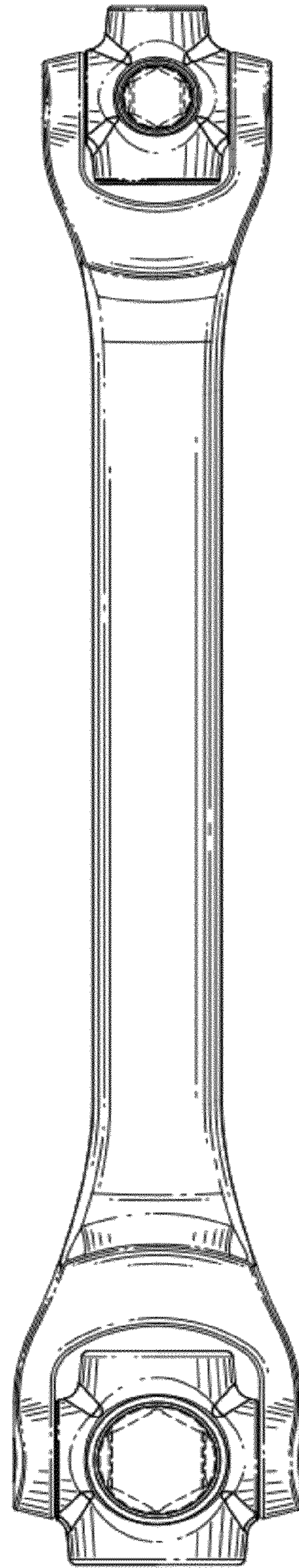


FIG. 6