

US00D661165S

(12) **United States Design Patent**  
**Carl**

(10) **Patent No.:** **US D661,165 S**  
(45) **Date of Patent:** **\*\* Jun. 5, 2012**

(54) **WRENCH**

(75) Inventor: **Ross Carl**, River Forest, IL (US)

(73) Assignee: **Sears Brands, L.L.C.**, Hoffman Estates, IL (US)

(\*\*) Term: **14 Years**

(21) Appl. No.: **29/391,188**

(22) Filed: **May 4, 2011**

(51) **LOC (9) Cl.** ..... **08-05**

(52) **U.S. Cl.** ..... **D8/23**

(58) **Field of Classification Search** ..... D8/21-29,  
D8/44, 81-87, 102-107, 98, 99, 55, 93, 94;  
81/60-63.2, 177.1, 177.85, 177.8, 489, 125.1,  
81/121.1, 119-120, 176.1, 186, 177.9, 185.1,  
81/176.2, 165, 170, 3.35, 58, 3.345, 155;  
206/378; 16/429, 441, 124.6; 7/100, 138,  
7/168, 157; D24/146

See application file for complete search history.

(56) **References Cited**

U.S. PATENT DOCUMENTS

2,618,996 A \* 11/1952 Logan ..... 81/111  
2,655,064 A \* 10/1953 Simon et al. .... 81/99  
4,584,913 A \* 4/1986 Logan ..... 81/91.2

4,773,287 A \* 9/1988 Clarke ..... 81/90.2  
5,896,790 A \* 4/1999 Chiang ..... 81/111  
6,339,978 B1 \* 1/2002 Hirse ..... 81/99  
7,201,084 B2 \* 4/2007 Yap ..... 81/111  
2003/0200840 A1 \* 10/2003 Yap ..... 81/170  
2006/0144197 A1 \* 7/2006 Choi ..... 81/98

\* cited by examiner

*Primary Examiner* — Raphael Barkai

*Assistant Examiner* — Randall H Gholson

(74) *Attorney, Agent, or Firm* — Greenberg Traurig, LLP

(57) **CLAIM**

What is claimed is the ornamental design for a wrench, as shown and described.

**DESCRIPTION**

FIG. 1 is a perspective view of a wrench showing the new design;

FIG. 2 is a left side elevational view thereof;

FIG. 3 is a right side elevational view thereof;

FIG. 4 is a top plan view thereof;

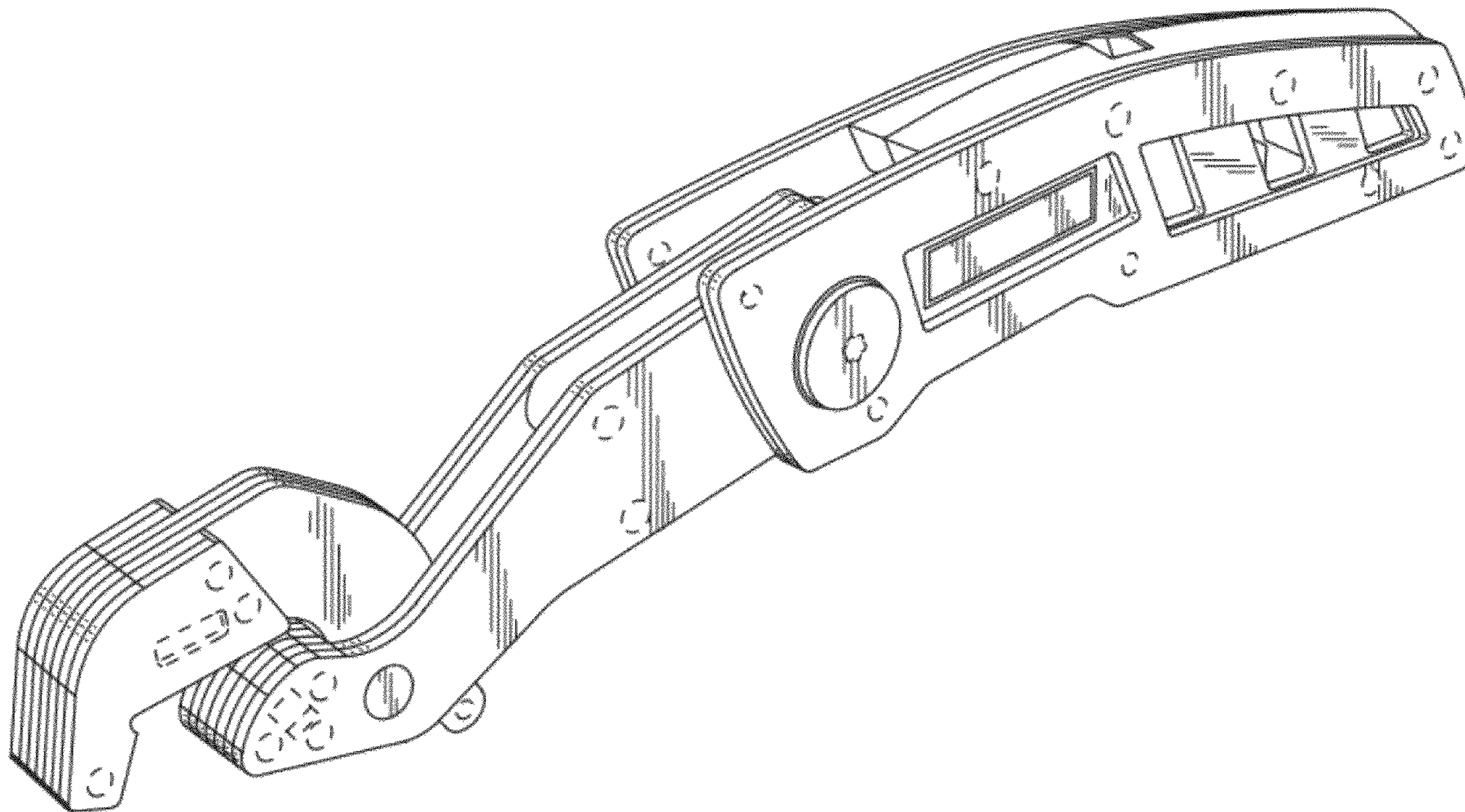
FIG. 5 is a bottom plan view thereof;

FIG. 6 is a front elevational view thereof; and,

FIG. 7 is a rear elevational view thereof.

The elements shown in dotted lines are provided for illustrative purposes only and form no part of the design claimed.

**1 Claim, 4 Drawing Sheets**





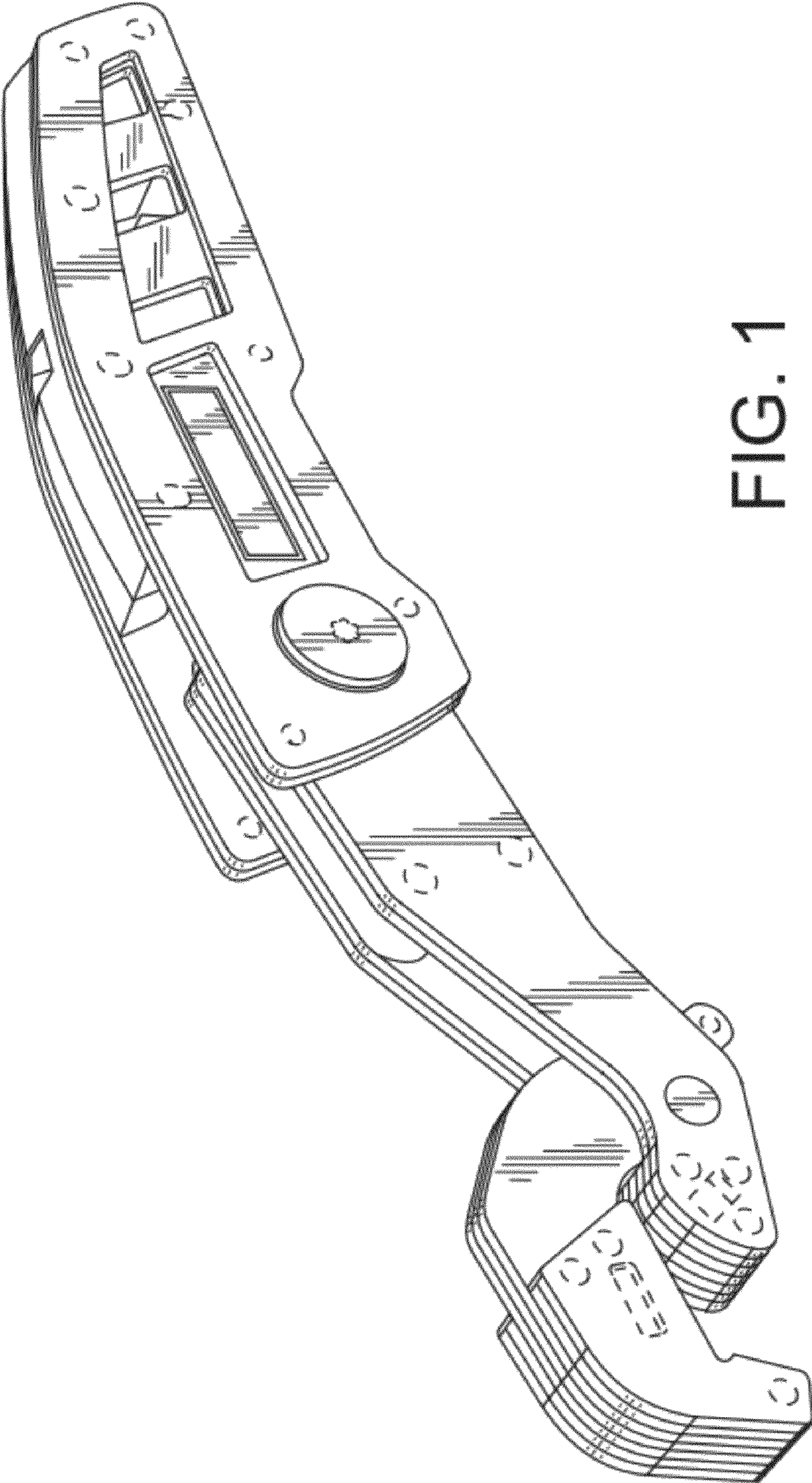


FIG. 1

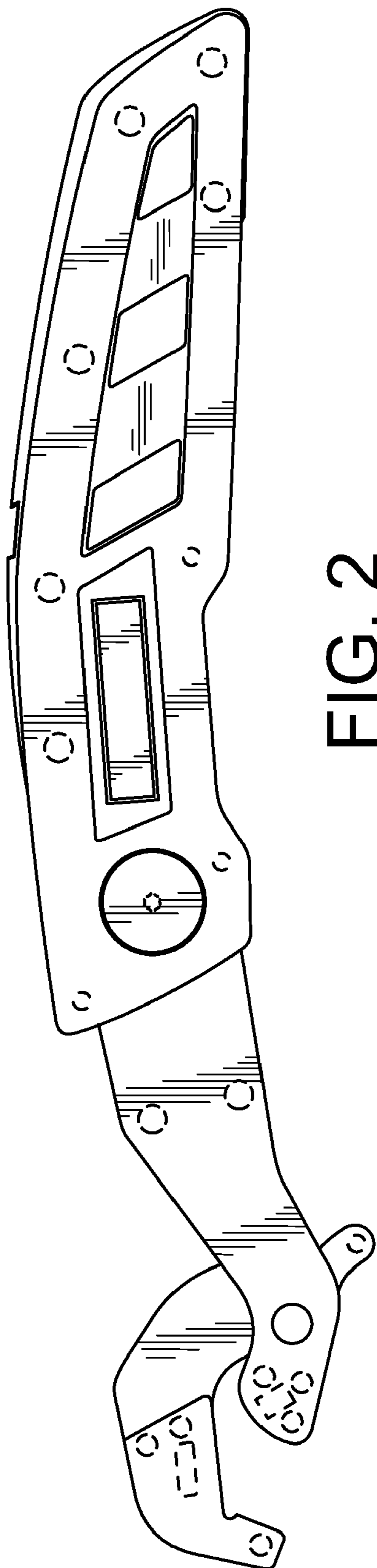


FIG. 2



FIG. 3



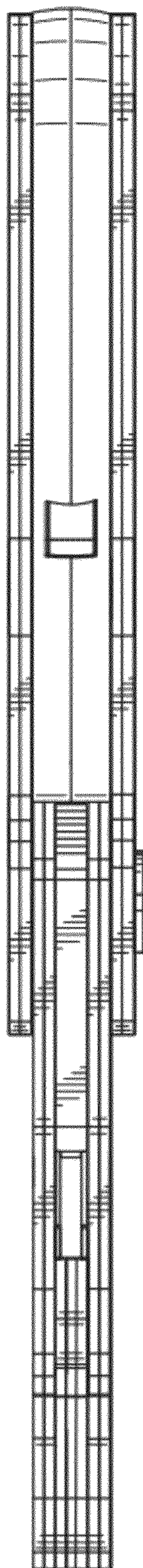


FIG. 4

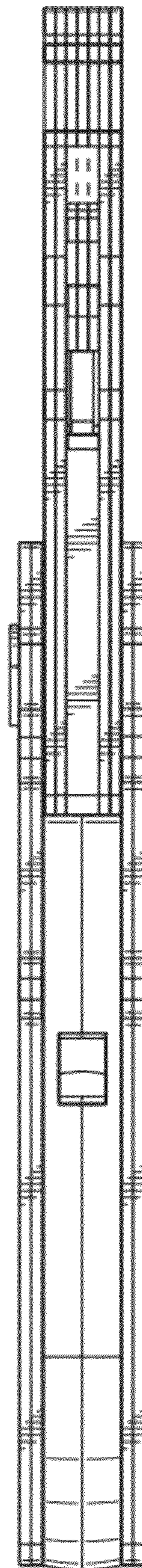


FIG. 5

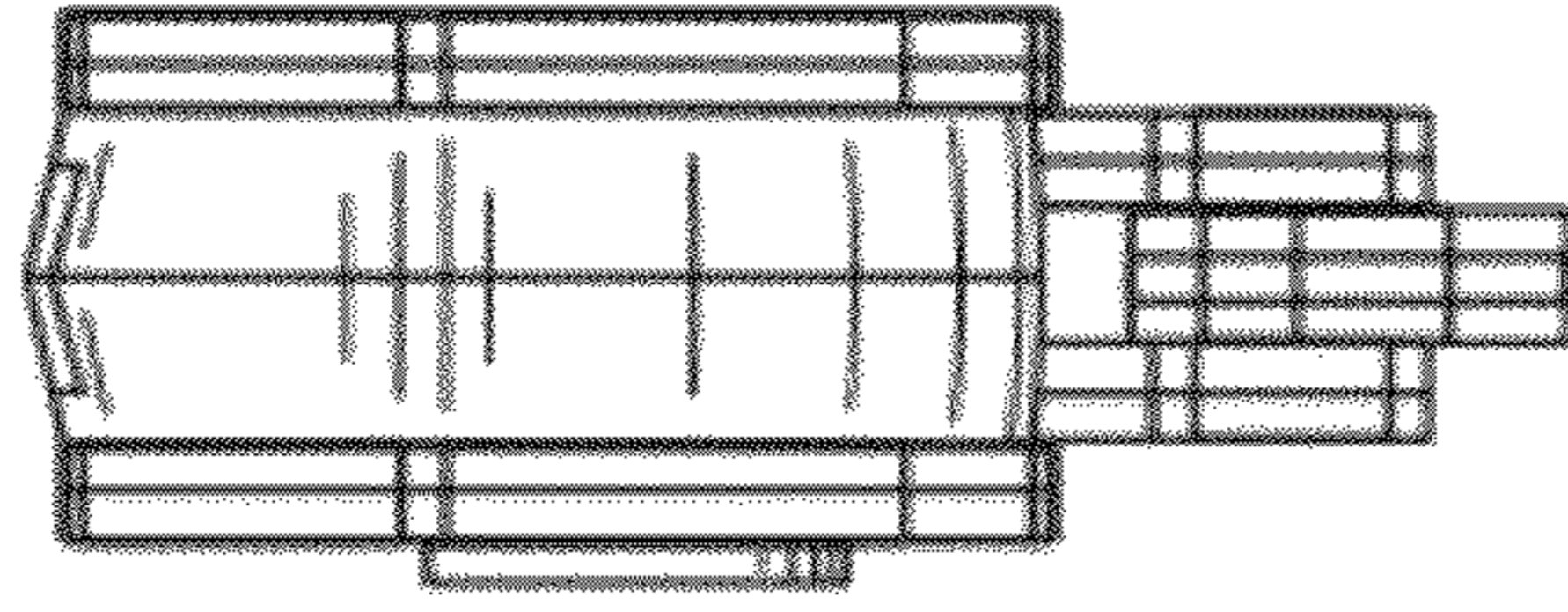


FIG. 7

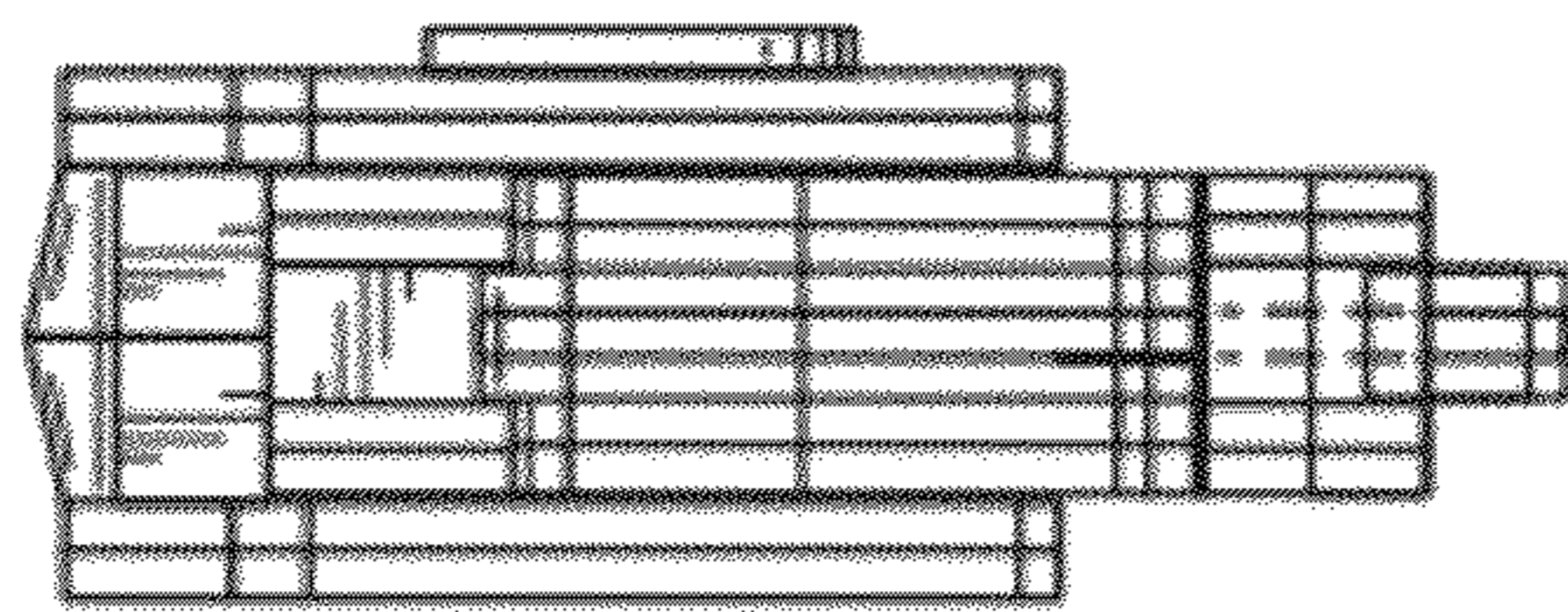


FIG. 6