



US00D661164S

(12) **United States Design Patent**
Licamele

(10) **Patent No.:** **US D661,164 S**
(45) **Date of Patent:** **** *Jun. 5, 2012**

- (54) **AQUACULTURE VESSEL**
- (75) Inventor: **Jason D. Licamele**, Scottsdale, AZ (US)
- (73) Assignee: **Heliae Development, LLC**, Gilbert, AZ (US)
- (*) Notice: This patent is subject to a terminal disclaimer.
- (**) Term: **14 Years**
- (21) Appl. No.: **29/393,957**
- (22) Filed: **Jun. 10, 2011**
- (51) **LOC (9) Cl.** **08-01**
- (52) **U.S. Cl.** **D8/1**
- (58) **Field of Classification Search** D8/1; D30/101, D30/104-105; 119/228, 223, 215, 58, 61.1-61.2, 119/61.4; D6/403; D32/156, 143; 47/32.4, 47/32.5, 32.7, 41.01, 41.1, 44-47
See application file for complete search history.

5,198,111 A 3/1993 Davis
 D338,428 S * 8/1993 Grosfillex D11/156
 5,338,673 A 8/1994 Thepenier et al.
 (Continued)

FOREIGN PATENT DOCUMENTS

CA 2 249 103 4/1999
 (Continued)

OTHER PUBLICATIONS

“Algae Oil Extraction,” Diversified Technologies, Inc., Bioscience Technology, Jan. 3, 2011 New Source Web Content—US.
 (Continued)

Primary Examiner — Sheryl Lane

(74) *Attorney, Agent, or Firm* — Tom Gallegos, Esq.; Colleen Superko, Esq.

(57) **CLAIM**

The ornamental design for and aquaculture vessel, as shown and described.

DESCRIPTION

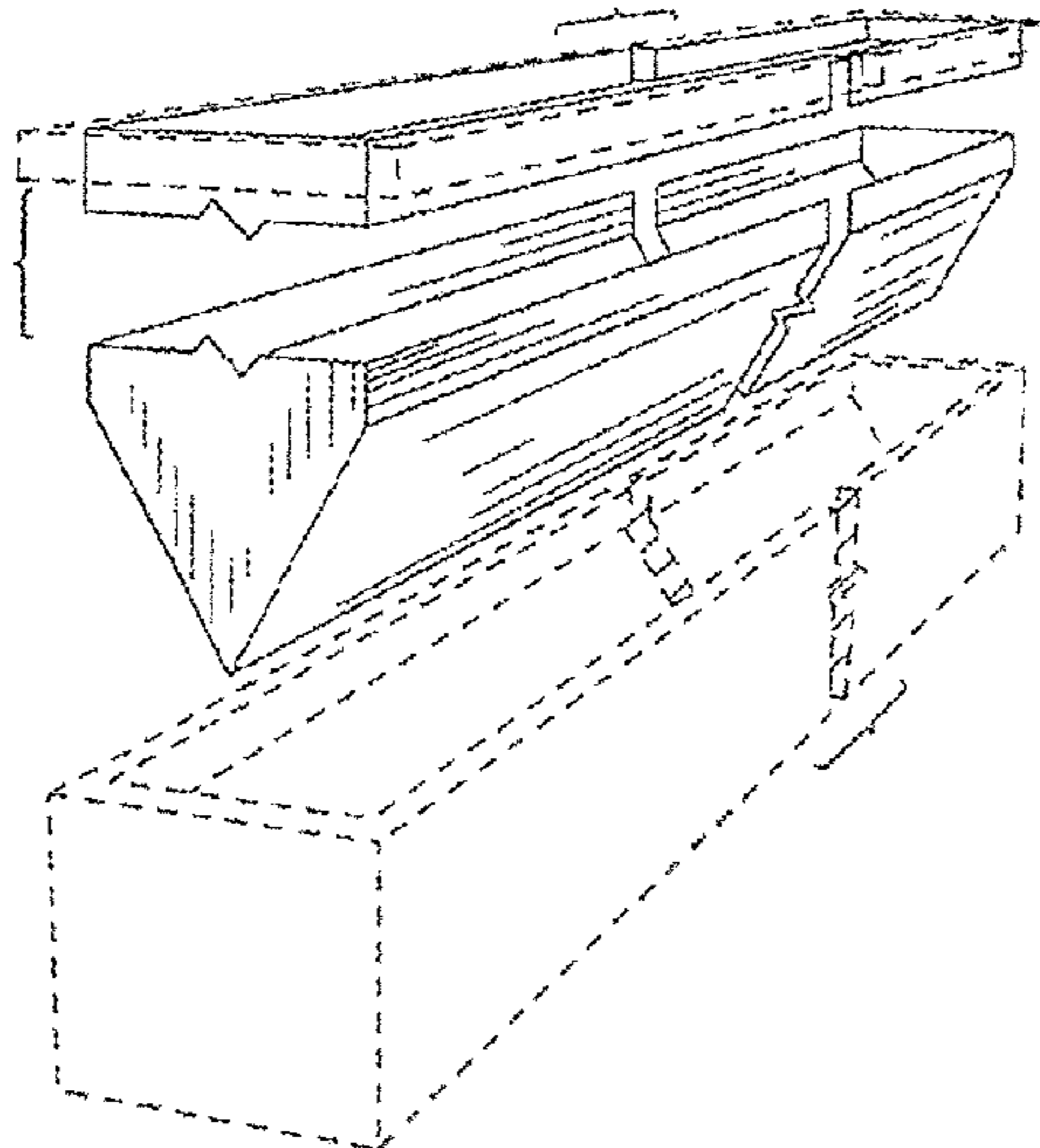
FIG. 1 is a top view of an aquaculture vessel;
 FIG. 2 is a right side view thereof, the left side view being the same;
 FIG. 3 is a front view thereof, the back view being the same;
 FIG. 4 is a front top perspective cut-away view;
 FIG. 5 is a bottom view thereof; and,
 FIG. 6 is an environmental perspective view thereof.
 The broken lines in the figures are included for the purpose of illustrating the environment and form no part of the claimed design.
 As shown in the figures, the embodiment has an undetermined length from front to rear, and the side wall portions have an undetermined height. Moreover, FIG. 6 shows the aquaculture vessel removed from its environment.

(56) **References Cited**

U.S. PATENT DOCUMENTS

1,689,277	A	10/1928	Burns	
1,790,385	A *	1/1931	Lorcher	119/61.4
3,850,802	A	11/1974	Berger	
3,850,807	A	11/1974	Jones	
D244,624	S *	6/1977	Braid	D30/101
4,062,882	A	12/1977	Sen Gupta	
4,190,538	A	2/1980	Chen	
D256,683	S *	9/1980	Merritt	D11/156
4,264,452	A	4/1981	Chen	
D271,955	S *	12/1983	Neil	D11/156
D286,929	S *	11/1986	Brandon	D32/53.1
4,787,981	A	11/1988	Tanahashi et al.	
4,925,557	A	5/1990	Ahlberg, Jr. et al.	
D312,983	S *	12/1990	Powell	D11/156
5,130,242	A	7/1992	Barclay	

1 Claim, 1 Drawing Sheet



U.S. PATENT DOCUMENTS

5,353,745	A	10/1994	Fahs, II	
5,374,657	A	12/1994	Kyle	
5,440,028	A	8/1995	Buchholz et al.	
D364,253	S *	11/1995	Pianella	D32/53.1
5,539,133	A	7/1996	Kohn et al.	
5,545,329	A	8/1996	LaMonica	
5,569,383	A	10/1996	Vander Ark, Jr. et al.	
5,658,767	A	8/1997	Kyle	
D384,908	S *	10/1997	Tuttle	D11/155
5,715,773	A *	2/1998	Martelius	119/223
5,804,072	A	9/1998	Yang	
D403,268	S *	12/1998	Dignam	D11/156
5,846,816	A	12/1998	Forth	
D413,261	S *	8/1999	Yerich	D9/426
6,024,050	A *	2/2000	Rheault	119/238
D424,893	S *	5/2000	Goslin et al.	D8/1
6,166,231	A	12/2000	Hoeksema	
6,192,833	B1	2/2001	Brune et al.	
6,267,879	B1	7/2001	Gil	
6,372,460	B1	4/2002	Gladue et al.	
6,441,208	B2	8/2002	Bijl et al.	
6,443,312	B1	9/2002	Racine	
6,524,486	B2	2/2003	Borodyanski et al.	
6,579,714	B1	6/2003	Hirabayashi et al.	
6,691,642	B2 *	2/2004	Dollahan	119/58
6,750,048	B2	6/2004	Ruecker et al.	
6,861,004	B2	3/2005	Benenson, Jr. et al.	
7,001,505	B2	2/2006	Hersh	
7,069,875	B2 *	7/2006	Warecki	119/228
7,148,366	B2	12/2006	Cheryan	
D561,963	S *	2/2008	Pedros et al.	D32/53.1
7,661,389	B2 *	2/2010	Tuerk	119/223
7,678,931	B2	3/2010	Fichtali et al.	
7,690,330	B2 *	4/2010	Miller	119/228
7,695,626	B2	4/2010	Dueppen et al.	
7,785,479	B1 *	8/2010	Hosford	210/786
7,816,570	B2	10/2010	Roberts, IV et al.	
7,868,195	B2	1/2011	Fleischer et al.	
D643,647	S *	8/2011	Owen et al.	D6/403
7,992,522	B2 *	8/2011	Harrison et al.	119/210
7,997,025	B1	8/2011	Masse	
2002/0009493	A1	1/2002	Schwendeman et al.	
2004/0131580	A1	7/2004	Hagino et al.	
2005/0161392	A1	7/2005	Duby	
2005/0164192	A1	7/2005	Graham et al.	
2005/0170479	A1	8/2005	Weaver et al.	
2006/0122410	A1	6/2006	Fichtali et al.	
2007/0025976	A1	2/2007	Kluetz et al.	
2008/0038290	A1	2/2008	Renimel et al.	
2008/0118964	A1	5/2008	Huntley et al.	
2008/0155888	A1	7/2008	Vick et al.	
2008/0160593	A1	7/2008	Oyler	
2008/0311649	A1	12/2008	Cloud et al.	
2009/0029445	A1	1/2009	Eckelberry et al.	
2009/0148918	A1	6/2009	Trimbur et al.	
2009/0148931	A1	6/2009	Wilkerson et al.	
2009/0162919	A1	6/2009	Radaelli et al.	
2009/0181463	A1	7/2009	Chen	
2009/0215155	A1	8/2009	Cloud et al.	
2009/0234146	A1	9/2009	Cooney et al.	
2010/0055741	A1	3/2010	Galvez, III et al.	
2010/0068772	A1	3/2010	Downey	
2010/0170149	A1	7/2010	Keeler et al.	
2010/0233761	A1	9/2010	Czartoski et al.	
2010/0261922	A1	10/2010	Fleischer et al.	
2010/0317088	A1	12/2010	Radaelli et al.	
2011/0023360	A1	2/2011	Ryan et al.	
2011/0076747	A1	3/2011	Cloud et al.	
2011/0086386	A1	4/2011	Czartoski et al.	
2011/0124034	A1	5/2011	Kuehnle et al.	
2011/0192073	A1	8/2011	Kale	
2011/0192075	A1	8/2011	Kale	
2011/0195085	A1	8/2011	Kale	
2011/0195484	A1	8/2011	Kale	
2011/0195485	A1	8/2011	Kale	
2011/0196131	A1	8/2011	Kale	
2011/0196132	A1	8/2011	Kale	
2011/0196135	A1	8/2011	Kale	

FOREIGN PATENT DOCUMENTS

EP	1 057 833	A1	12/2000
EP	1 920 777	A1	5/2008
EP	2 030 626	A1	3/2009
WO	WO-2006/095964	A1	9/2006
WO	WO-2008/031092	A3	3/2008
WO	WO-2008/060571	A2	5/2008
WO	WO-2008/079724	A2	7/2008
WO	WO-2008/144583	A1	11/2008
WO	WO-2009/082696	A1	7/2009
WO	WO-2009/158658	A2	12/2009
WO	WO-2010/002745	A1	1/2010
WO	WO-2010/017002	A1	2/2010
WO	WO-2010/036334	A1	4/2010
WO	WO-2010/120939	A2	10/2010
WO	WO-2010/123903	A1	10/2010
WO	WO-2010/132414	A1	11/2010
WO	WO-2010/138571	A1	12/2010
WO	WO-2010/138620	A1	12/2010
WO	WO-2010/151606	A1	12/2010
WO	WO-2011/036517	A1	3/2011
WO	WO-2011/050472	A1	5/2011
WO	WO-2011/078773	A1	6/2011

OTHER PUBLICATIONS

- Abu-Rezq, T.S. et al. "Optimum production conditions for different high-quality marine algae," *Hydrobiologia*, 403: 97-107, 1999.
- Agboola, S. et al., "Characterisation and functional properties of Australian rice protein isolates," *Journal of Cereal Science* 41 (2005) 283-290.
- Amin, S. "Review on biofuel oil and gas production processes from microalgae," *Energy Conversion and Management* 50 (2009) 1834-1840.
- Barbosa, M.J.G.V. "Microalgal photobioreactors: Scale-up and optimisation," Ph.D. Thesis, Wageningen University, Wageningen, The Netherlands, 2003.
- Berberoglu, H. et al., "Radiation characteristics of *Chlamydomonas reinhardtii* CC125 and its truncated chlorophyll antenna transformants *tla1*, *tlaX* and *tla1-CW⁺*" *International Journal of Hydrogen Energy* 33 (2008) 6467-6483.
- Bitog, J.P. et al., "Application of computational fluid dynamics for modeling and designing photobioreactors for microalgae production: A review," *Computers and Electronics in Agriculture* 76 (2011) 131-147.
- Bligh, E.G. et al., "A Rapid Method of Total Lipid Extraction and Purification, *Canadian Journal of Biochemistry and Physiology*," vol. 37, Aug. 1959, No. 8, pp. 911-917.
- Borowitzka, M.A. "Commercial production of microalgae: ponds, tanks, tubes and ferments," *Journal of Biotechnology* 70 (1999) 313-321.
- Bosma, R. et al. "Ultrasound, a new separation technique to harvest microalgae," *Journal of Applied Phycology* 15: 143-153, 2003.
- Brennan, L. et al., "Biofuels from microalgae—A review of technologies for production, processing, and extractions of biofuels and co-products," *Renewable and Sustainable Energy Reviews* 14 (2010) 557-577.
- Camacho, F.G. et al., "Photobioreactor scale-up for a shear-sensitive dinoflagellate microalga," *Process Biochemistry* 46 (2011) 936-944.
- Catchpole, O.J. et al. "The extraction and fractionation of specialty lipids using near critical fluids," *J. of Supercritical Fluids* 47 (2009) 591-597.
- Chisti, M.Y. et al., "Gas Holdup in Pneumatic Reactors," *The Chemical Engineering Journal*, 38 (1988) 149-152.
- Chisti, Y. "Biodiesel from microalgae," *Biotechnology Advances* 25 (2007) 294-306.
- Christie, W.W., *Lipid Analysis*, 3rd ed., Oily Press, Bridgewater, UK, 2003, pp. 97-102.
- Communication Relating to the Results of the Partial International Search for corresponding International Patent Application No. PCT/US2011/031412 mailed Aug. 9, 2011.
- International Search Report and Written Opinion for International Patent Application No. PCT/US2011/031404 mailed Aug. 3, 2011.

- International Search Report and Written Opinion for International Patent Application No. PCT/US2011/031407 mailed Aug. 9, 2011.
- International Search Report and Written Opinion for International Patent Application No. PCT/US2011/031408 mailed Aug. 9, 2011.
- International Search Report and Written Opinion for International Patent Application No. PCT/US2011/031414 mailed Aug. 5, 2011.
- International Search Report and Written Opinion for International Patent Application No. PCT/US2011/031417 mailed Aug. 3, 2011.
- International Search Report and Written Opinion for International Patent Application No. PCT/US2011/031419 mailed Sep. 5, 2011.
- International Search Report and Written Opinion for International Patent Application No. PCT/US2011/031421 mailed Aug. 3, 2011.
- U.S. Appl. No. 13/116,602, filed May 26, 2011.
- U.S. Appl. No. 13/116,610, filed May 26, 2011.
- U.S. Appl. No. 13/149,463, filed May 31, 2011.
- U.S. Appl. No. 13/149,524, filed May 31, 2011.
- U.S. Appl. No. 13/149,531, filed May 31, 2011.
- U.S. Appl. No. 13/149,595, filed May 31, 2011.
- U.S. Appl. No. 13/249,426, filed Sep. 30, 2011.
- Csogor, Z. et al., "Light distribution in a novel photobioreactor—modelling for optimization," *Journal of Applied Phycology* 13: 325-333, 2001.
- Daigger, G.T. et al., "Are Membrane Bioreactors Ready for Widespread Application?" *Environmental Science & Technology*, Oct. 1, 2005, pp. 399A-406A.
- Database WPI, Week 200326, Thomson Scientific, London, GB; AN 2003-259841 & JP 2002 220402 A (Oriental Bio KK) Aug. 9, 2002, abstract.
- de Moraes Coutinho, C. et al., "State of art of the application of membrane technology to vegetable oils: A review," *Food Research International* 42 (2009) 536-550.
- Doucha, J. et al., "Outdoor open thin-layer microalgal photobioreactor: potential productivity," *J. Appl. Phycol* (2009) 21:111-117.
- Fabregas, J. et al., "The cell composition of *Nannochloropsis* sp. changes under different irradiances in semicontinuous culture," *World Journal of Microbiology & Biotechnology* 20, 31-35, 2004.
- Forjan, E. et al., "Enhancement of carotenoid production in *Nannochloropsis* by phosphate and sulphur limitation, Communicating Current Research and Educational Topics and Trends in Applied Microbiology," A. Mendez-Vilas (Ed.), 2007, 356-364.
- Ghosh, T.K. et al., "Effect of Fractional Gas hold-up (ϵ_G) on Volumetric Mass Transfer Coefficient (KLa) in Modified Airlift Contactor," *International Journal of Advanced Science and Technology*, vol. 16, Mar. 2010, 21-30.
- Grima, E.M. et al., "Recovery of microalgal biomass and metabolites: process options and economics," *Biotechnology Advances* 20 (2003) 491-515.
- Grobbelaar, J.U. "Physiological and technological considerations for optimising mass algal cultures," *Journal of Applied Phycology*, 12: 201-206, 2000.
- Grobbelaar, J.U. et al., "Use of photoacclimation in the design of a novel photobioreactor to achieve high yields in algal mass cultivation," *Journal of Applied Phycology* 15: 121-126, 2003.
- Harun, R. et al., "Bioprocess engineering of microalgae to produce a variety of consumer products," *Renewable and Sustainable Energy Reviews* 14 (2010) 1037-1047.
- Hegde, A. "Development of a Biomass Transducer for Automated Microalgal Bioreactors," A Thesis Submitted to the Graduate Faculty of the Louisiana State University and Agricultural and Mechanical College in partial fulfillment of the requirements for the degree of Master of Science in Engineering Science in The Department of Civil and Environment Engineering, May 2007.
- Hejazi, M.A. et al., "Milking of microalgae," *Trends in Biotechnology* vol. 22, No. 4, Apr. 2004, pp. 189-194.
- Herfindal, L. et al., "A high proportion of Baltic Sea benthic cyanobacterial isolates contain apoptogens able to induce rapid death of isolated rat hepatocytes," *Toxicol* 46 (2005) 252-260.
- Herrero, M. et al., "Sub- and supercritical fluid extraction of functional ingredients from different natural sources: Plants, food-by-products, algae and microalgae—A Review," *Food Chemistry* 98 (2006) 136-148.
- Hsieh, C.H. et al., "A novel photobioreactor with transparent rectangular chambers for cultivation of microalgae," *Biochemical Engineering Journal* 46 (2009) 300-305.
- Huang, G. et al., "Biodiesel production by microalgal biotechnology," *Applied Energy* 87 (2010) 38-46.
- Huang, G. et al., "Rapid screening method for lipid production in alga based on Nile red fluorescence," *Biomass and Bioenergy* 33 (2009) 1386-1392.
- Hulatt, C.J. et al., "Energy efficiency of an outdoor microalgal photobioreactor sited at mid-temperate latitude," *Bioresource Technology* 102 (2011) 6687-6695.
- Jacob-Lopes, E. et al., "Effect of light cycles (night/day) on CO₂ fixation and biomass production by microalgae in photobioreactors," *Chemical Engineering and Processing* 48 (2009) 306-310.
- James, S.C. et al., "Modeling Algae Growth in an Open-Channel Raceway," *Journal of Computational Biology*, vol. 17, No. 7, 2010, pp. 895-906.
- Ju, Z.Y. et al., "Extraction, Denaturation and Hydrophobic Properties of Rice Flour Proteins," *Journal of Food Science*, vol. 66, No. 2, 2001, pp. 229-232.
- Knuckey, R.M. et al., "Production of microalgal concentrates by flocculation and their assessment as aquaculture feeds," *Aquacultural Engineering* 35 (2006) 300-313.
- Kommareddy, A. et al., "Study of Light as a parameter in the growth of algae in a Photo-Bio Reactor (PBR)," Written for presentation at the 2003 ASAE Annual International Meeting Sponsored by ASAE, Riviera Hotel and Convention Center, Las Vegas, NV, USA, Jul. 27-30, 2003.
- Koris, A. et al., "Dry degumming of vegetable oils by membrane filtration," *Desalination* 148 (2002) 149-153.
- Kumari, P. et al., "Tropical marine macroalgae as potential sources of nutritionally important PUFAs," *Food Chemistry* 120 (2010) 749-757.
- Lee, M. et al., "Isolation and Characterization of a Xanthophyll Aberrant Mutant of the Green Alga *Nannochloropsis oculata*," *Marine Biotechnology*, 2006, pp. 238-245.
- Lee, Y.K. "Microalgal mass culture systems and methods: Their limitation and potential," *Journal of Applied Phycology* 13: 307-315, 2011.
- Maor, T. et al., "Horizontal Tubular Microalgae Photobioreactor Plant View Factors and Diffuse Radiation," *Journal of Solar Energy Engineering*, May 2011, vol. 133, 024503-1-7.
- Maor, T. et al., "Solar Radiation on Horizontal Tubular Microalgae Photobioreactor: Direct Beam Radiation," *Journal of Solar Energy Engineering*, May 2011, vol. 133, 024502-1-5.
- Marxen, K. et al., "A photobioreactor system for computer controlled cultivation of microalgae," *Journal of Applied Phycology* (2005) 17: 535-549.
- Mata, T.M. et al., "Microalgae for biodiesel production and other applications: A review," *Renewable and Sustainable Energy Reviews* 14 (2010) 217-232.
- Mata, Teresa M. et al., "Microalgae for biodiesel production and other applications: A review," *Renewable and Sustainable Energy Reviews* (2009), 16 pages.
- Mercer, P. et al., "Developments in oil extraction from microalgae," *Eur. J. Lipid Sci. Technol.* 2011, 113, 539-547.
- Pal, D. et al., "The effect of light, salinity, and nitrogen availability on lipid production by *Nannochloropsis* sp.," *Appl. Microbiol Biotechnol* (2011) 90:1429-1441.
- Picture located at <http://www.univervegroup.com/image/process5.jpg>; website last updated Oct. 10, 2010; first downloaded on May 17, 2011.
- Plaza, M. et al., "Screening for bioactive compounds from algae," *Journal of Pharmaceuticals and Biomedical Analysis* 51 (2010) 450-455.
- Ramirez, A. et al., "Lipid extraction from the microalga *Phaeodactylum tricornutum*," *Eur. J. Lipid. Technol.* 109 (2007) 120-126.
- Ranjbar, R. et al., "High Efficiency Production of Astaxanthin in an Airlift Photobioreactor," *Journal of Bioscience and Bioengineering*, vol. 106, No. 2, 204-207, 2008.
- Raynie, D.E., "Modern Extraction Techniques," *Anal. Chem.* 2006, 78, 3997-4003.

- Reyna-Velarde, R. et al., "Hydrodynamic and mass transfer characterization of a flat-panel airlift photobioreactor with high light path," *Chemical Engineering and Processing: Process Intensification*, *Chemical Engineering and Processing* 49 (2010) 97-103.
- Rhodes, C.J. "Oil from algae; salvation from peak oil?" *Science Progress* (2009), 92(1), 39-90.
- Rittmann, B.E. "Opportunities for Renewable Bioenergy Using Microorganisms," *Biotechnology and Bioengineering*, vol. 100, No. 2, Jun. 1, 2008, pp. 203-212.
- Rocha, J.M.S. et al., "Growth aspects of the marine microalga *Nannochloropsis gaditana*," *Biomolecular Engineering* 20 (2003) 237-242.
- Rossignol, N. et al., "Membrane technology for the continuous separation microalgae/culture medium: compared performances of cross-flow microfiltration and ultrafiltration," *Aquacultural Engineering* 20 (1999) 191-208.
- Rusch, K.A. et al., "The hydraulically integrated serial turbidostat algal reactor (HISTAR) for microalgal production," *Aquacultural Engineering* 27 (2003) 249-264.
- Sato, T. et al., "Development of virtual photobioreactor for microalgae culture considering turbulent flow and flashing light effect," *Energy Conversion and Management* 51 (2010) 1196-1201.
- Sato, T. et al., "Invention of outdoor closed type photobioreactor for microalgae," *Energy Conversion and Management* 47 (2006) 791-799.
- Schaper, R. et al., "Temperature Effects on the Gas Hold-Up in Agitated Vessels," 2002, pp. 1-9.
- Sierra, E. et al., "Characterization of a flat plate photobioreactor for the production of microalgae," *Chemical Engineering Journal* 138 (2008) 136-147.
- Slegers, P.M. et al., "Design scenarios for flat panel photobioreactors," *Applied Energy* 88 (2011) 3342-3353.
- Spolaore, P. et al. "Commercial Applications of Microalgae," *Journal of Bioscience and Bioengineering*, vol. 101, No. 2, 87-96, 2006.
- Steinitz, Y. et al., "A Mutant of the Cyanobacterium *Plectonema Boryanum* Resistant to Photooxidation," *Plant Science Letters*, vol. 16, Issues 2-3, p. 327-335, Oct. 1979.
- Su, Z. et al. "Study on the destabilization mixing in the flat plate photobioreactor by means of CFD," *Biomass and Bioenergy* 34 (2010) 1879-1884.
- Tamburic, B. et al., "Design of a novel flat-plate photobioreactor system for green algal hydrogen production," *International Journal of Hydrogen Energy* 36 (2011) 6578-6591.
- Uduman, N. et al. "Dewatering of microalgal cultures: A major bottleneck to algae-based fuels," *Journal of Renewable and Sustainable Energy* 2, 2010, 012701-1-012701-15.
- Uduman, N. et al., "Marine microalgae flocculation and focused beam reflectance measurement," *Chemical Engineering Journal* 162 (2010) 935-940.
- Ugwu, C.U. et al., "Photobioreactors for mass cultivation of algae," *Bioresource Technology* 99 (2008) 4021-4028.
- Voorhees, K.J. et al., "Analysis of Insoluble Carbonaceous Materials from Airborne Particles Collected in Pristine Region of Colorado," *Journal of Analytical and Applied Pyrolysis*, 18 (1991) 189-205.
- Wachowicz, M. et al. "The protein of the alga *Spirulina platensis*. (translated)." Database FSTA [Online] International Food Information Service (IFIS), Frankfurt-Main, DE; 1974.
- Webvitamins (2011, updated) "Globulin Protein Concentrate", www.webvitamins.com/Nutrient.aspx?id=2007, p. 1.
- Weyer, K.M. et al., "Theoretical Maximum Algal Oil Production," *Bioenerg. Res.* (2010) 3:204-213.
- Wu, X. et al., "Simulation of algae growth in a bench scale internal loop airlift reactor," *Chemical Engineering Science* 59 (2004) 2899-2912.
- Zhang, C. et al. "Performance of a groove-type photobioreactor for hydrogen production by immobilized photosynthetic bacteria," *International Journal of Hydrogen Energy* 35 (2010) 5284-5292.
- Zhu, C.J. et al. "Determination of biomass dry weight of marine microalgae," *Journal of Applied Phycology* 9:189-194, 1997.
- Zhu, Y.H. et al., "Continuous cultivation of *Dunaliella salina* in photobioreactor for the production of β -carotene," *Eur Food Res Technol* (2008) 227:953-959.
- Zijffers, J.W. F. et al., "Maximum Photosynthetic Yield of Green Microalgae in Photobioreactors," *Mar Biotechnol* (2010) 12:708-718.
- Zimmerman, W.B. et al., "Design of an airlift loop bioreactor and pilot scales studies with fluidic oscillator induced microbubbles for growth of a microalgae *Dunaliella salina*," *Applied Energy* 88 (2011) 3357-3369.
- Zittelli, G.C. et al., "A Modular Flat Panel Photobioreactor (MFPP) for indoor mass cultivation of *Nannochloropsis*," *Journal of Applied Phycology* 12: 521-526, 2000.
- "Cultivation of Algae in Photobioreactor," *Oilgae*, Oct. 2011, retrieved from <http://www.oilgae.com/algae/cult/pbr/pbr.html> on Nov. 9, 2011, No Author, 11 pages.
- "Industrial Photobioreactor for Microalgae and Photosynthetic Bacteria Massive Cultivation," *M2M Engineering*, Oct. 2011, retrieved from http://www.m2mengineering.it/index.php?option=com_content&view=article&id=47%3Aafotobioreattori-per-coltura-massive&catid=51%3Aafotobioreattori-industriali&Itemid=77&lang=en, No Author, 4 pages.
- "Monitor, Analyze, and Protect the World's Natural Resources," *YSI*, Nov. 2011, retrieved from <http://www.ysi.com/parameters.php>, No Author, 2 pages.
- Benson, B.C. et al., "Optimization of the lighting system for a Hydraulically Integrated Serial Turbidostat Algal Reactor (HISTAR): Economic implications," *Aquacultural Engineering* 40 (2009) 45-53.
- Culturing Solutions, Inc., "Continuous Algae Production," *Phyta-Platform*, 2011, 3 pages, retrieved from <http://www.culturingsolutions.com/Phyta-Platform.html> on Oct. 18, 2011, No Author.
- Rittmann, B.E. et al., *Environmental Biotechnology: Principles and Applications*. McGraw-Hill Book Co., New York, 2001, pp. 24-34, 45, 57, pp. 353-378.
- Sandnes, et al., "Real-time Monitoring and Automatic Density Control of Large-Scale Microalgal Cultures Using Near Infrared (NIR) Optical Density Sensors," *Journal of Biotechnology* 122, 2006, pp. 209-215.

* cited by examiner

FIG. 1

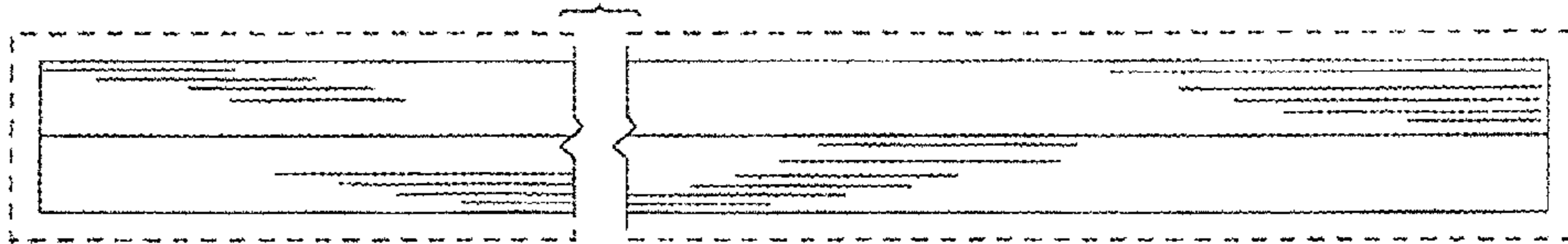


FIG. 2

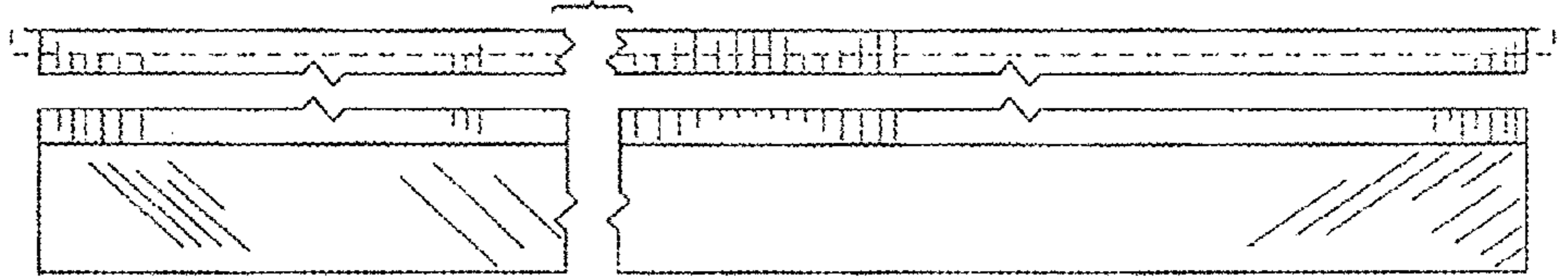


FIG. 3

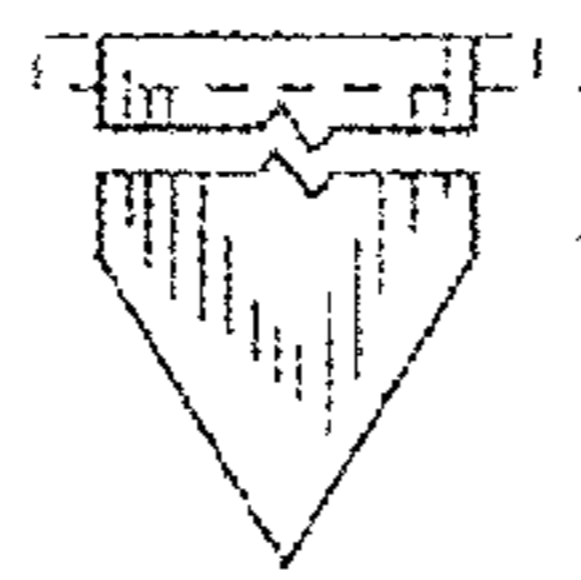


FIG. 4

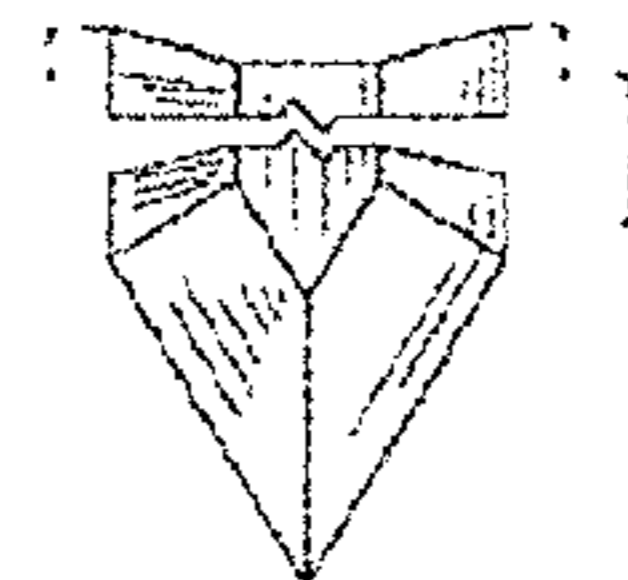


FIG. 5

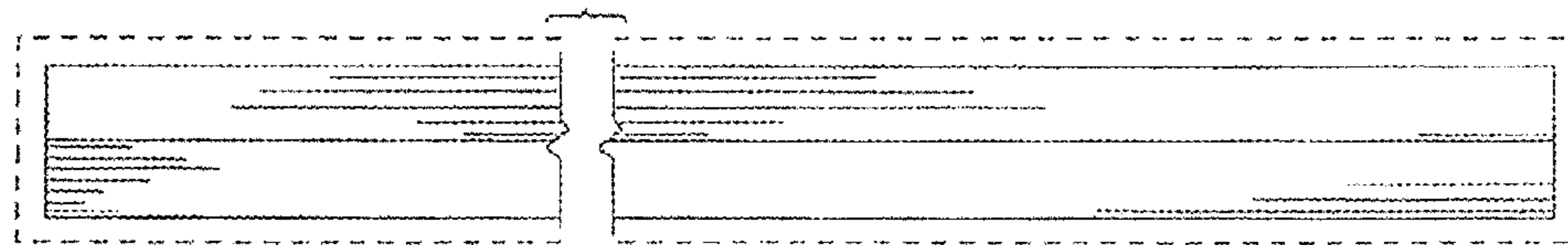


FIG. 6

