

US00D661161S

(12) **United States Design Patent**
Craft et al.

(10) **Patent No.:** **US D661,161 S**
(45) **Date of Patent:** **** Jun. 5, 2012**

(54) **FOOD CONTAINER**

(75) Inventors: **Rachel Lyn Craft**, Glen Rock, NJ (US);
Gladys Odette Sierra-Gomez,
Woodbridge, NJ (US)

(73) Assignee: **Kraft Foods Global Brands LLC**,
Northfield, IL (US)

(**) Term: **14 Years**

(21) Appl. No.: **29/366,047**

(22) Filed: **Jul. 19, 2010**

Related U.S. Application Data

(63) Continuation-in-part of application No. 12/761,758,
filed on Apr. 16, 2010.

(51) **LOC (9) Cl.** **07-01**

(52) **U.S. Cl.** **D7/586; D9/430**

(58) **Field of Classification Search** D7/545,
D7/586, 500, 543, 566, 620, 629, 552.1, 354,
D7/584, 360, 361; 220/751, 23.4, 574; D9/432,
D9/430, 414, 709, 703, 425; D30/127; 229/117.27,
229/117.35, 114; 47/41.12
See application file for complete search history.

(56) **References Cited**

U.S. PATENT DOCUMENTS

184,322	A *	11/1876	Benham	220/574
2,085,238	A *	6/1937	Towell	229/102.5
2,176,912	A	10/1939	Lockett		
2,279,614	A	4/1942	Bryant		
2,625,315	A	1/1953	Fehrenkamp		
2,686,002	A	8/1954	Inman		
2,903,160	A	9/1959	Holmes		
2,961,140	A	11/1960	Holmes		
3,512,698	A	5/1970	Kapustka		
3,809,310	A	5/1974	VanderLugt, Jr.		
4,714,190	A *	12/1987	Morrocco	229/404

D296,747	S *	7/1988	Johnson	D7/554.3
5,098,014	A *	3/1992	Perkins	229/116
5,292,058	A	3/1994	Zoss et al.		
5,381,949	A	1/1995	Correll		
6,206,279	B1	3/2001	Countee		
6,478,216	B2	11/2002	Wiat		
D469,691	S *	2/2003	Brondyke et al.	D9/431

(Continued)

OTHER PUBLICATIONS

Janosch, J.; European Search Report; EP11162736.0 dated Jul. 22,
2011; 3 pages.

(Continued)

Primary Examiner — Cynthia Underwood

(74) *Attorney, Agent, or Firm* — Fitch, Even, Tabin &
Flannery, LLP

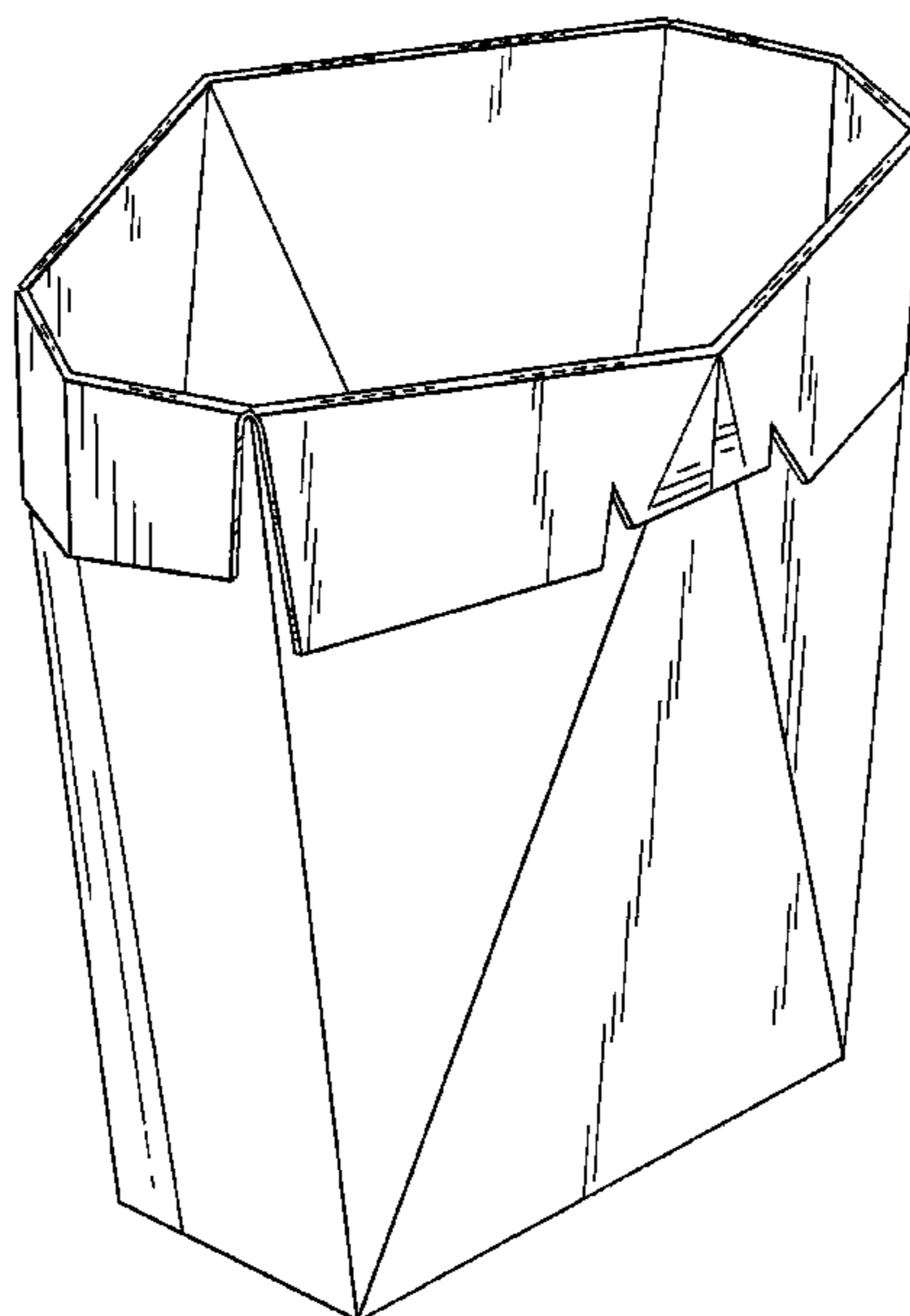
(57) **CLAIM**

We claim the ornamental design for food container, as shown
and described.

DESCRIPTION

FIG. 1 is a perspective view of a food container showing my
new design;
FIG. 2 is a top plan view of the container of FIG. 1;
FIG. 3 is a bottom plan view of the container of FIG. 1;
FIG. 4 is a right side elevational view of the container of FIG.
1;
FIG. 5 is a left side elevational view of the container of FIG.
1;
FIG. 6 is a front side elevational view of the container of FIG.
1; and,
FIG. 7 is a rear side elevational view of the container of FIG.
1.
The broken lines shown in the drawings are for illustrative
purposes only and form no part of the claimed design.

1 Claim, 4 Drawing Sheets



US D661,161 S

Page 2

U.S. PATENT DOCUMENTS

6,612,072 B2 * 9/2003 Busby et al. 47/65.8
D482,614 S 11/2003 Countee, Jr.
7,021,525 B2 4/2006 Jouppi et al.
D523,744 S * 6/2006 Zeng D9/430
D563,155 S * 3/2008 Wyllie et al. D7/387
D567,586 S * 4/2008 Brown D7/509
D567,592 S * 4/2008 Fite et al. D7/568
D578,829 S * 10/2008 Freeman D7/584
D580,779 S * 11/2008 Hartwell et al. D9/705
D589,344 S * 3/2009 Lang D9/431

D589,345 S * 3/2009 Lang D9/431
D592,058 S * 5/2009 Rapaport D9/455
D607,281 S * 1/2010 Meyers D7/571
D640,932 S * 7/2011 Kasha D9/703

OTHER PUBLICATIONS

Janosch, J.; European Search Opinion; EP11162736.0 dated Jul. 22,
2011; 3 pages.

* cited by examiner

FIG. 1

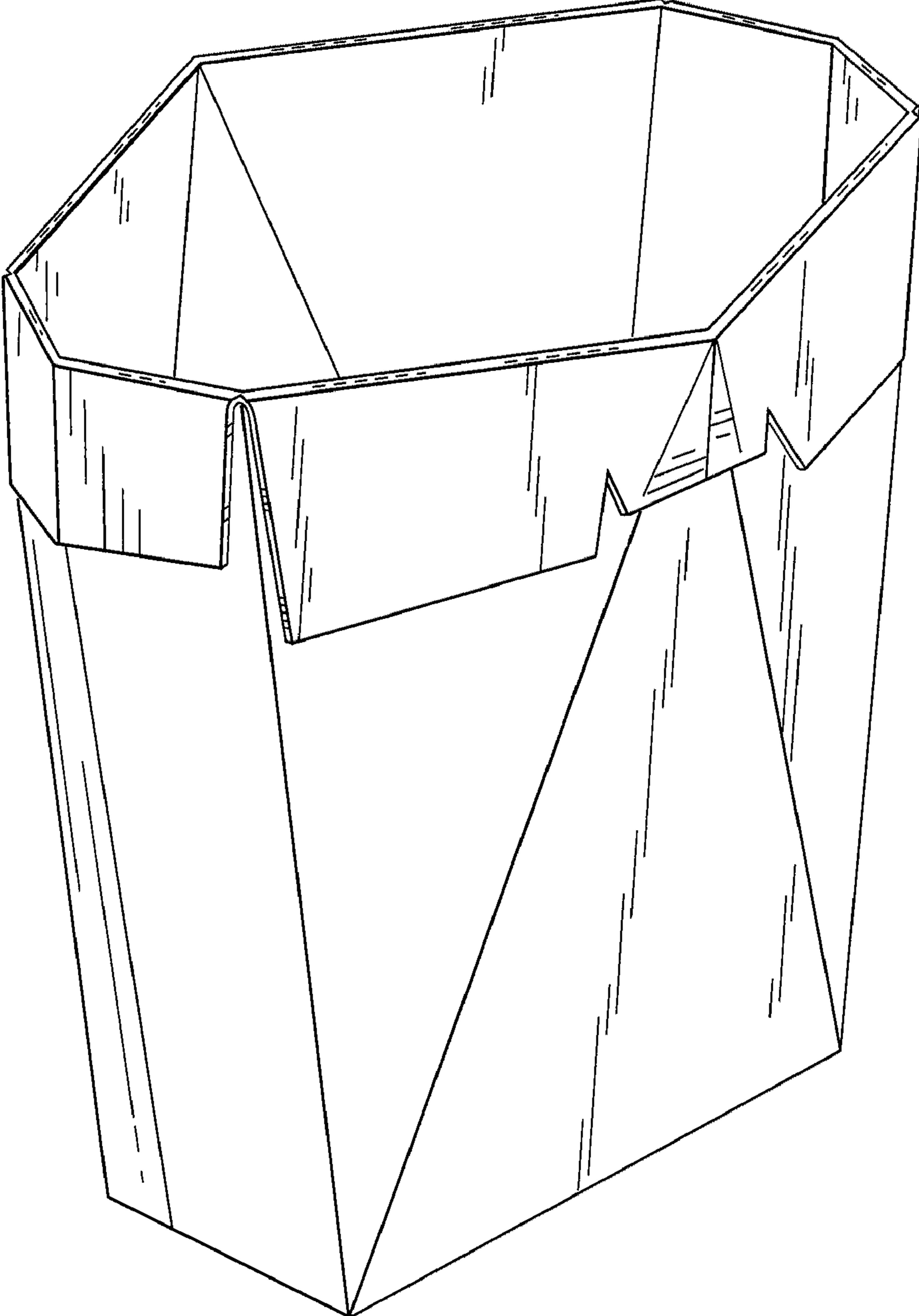


FIG. 2

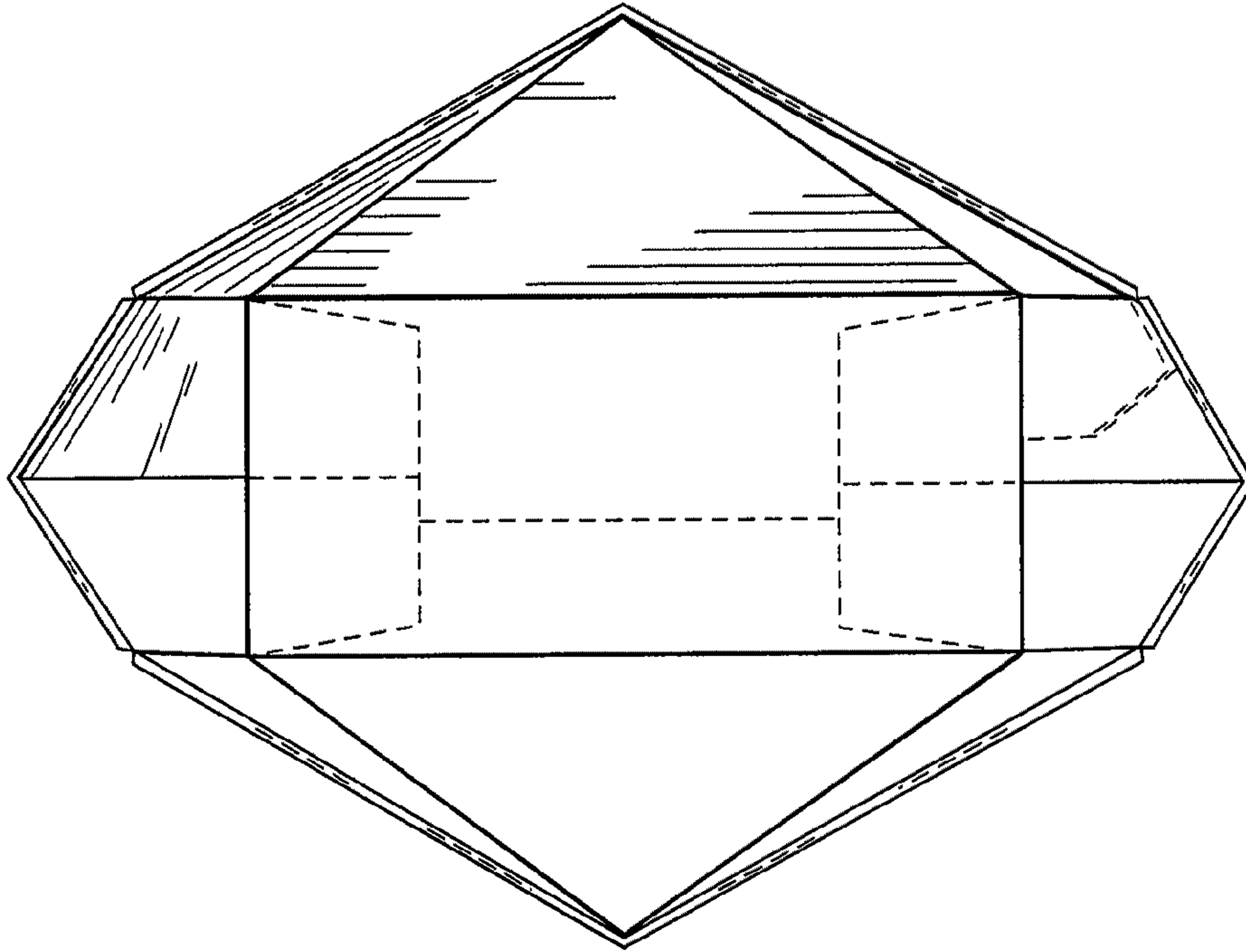


FIG. 3

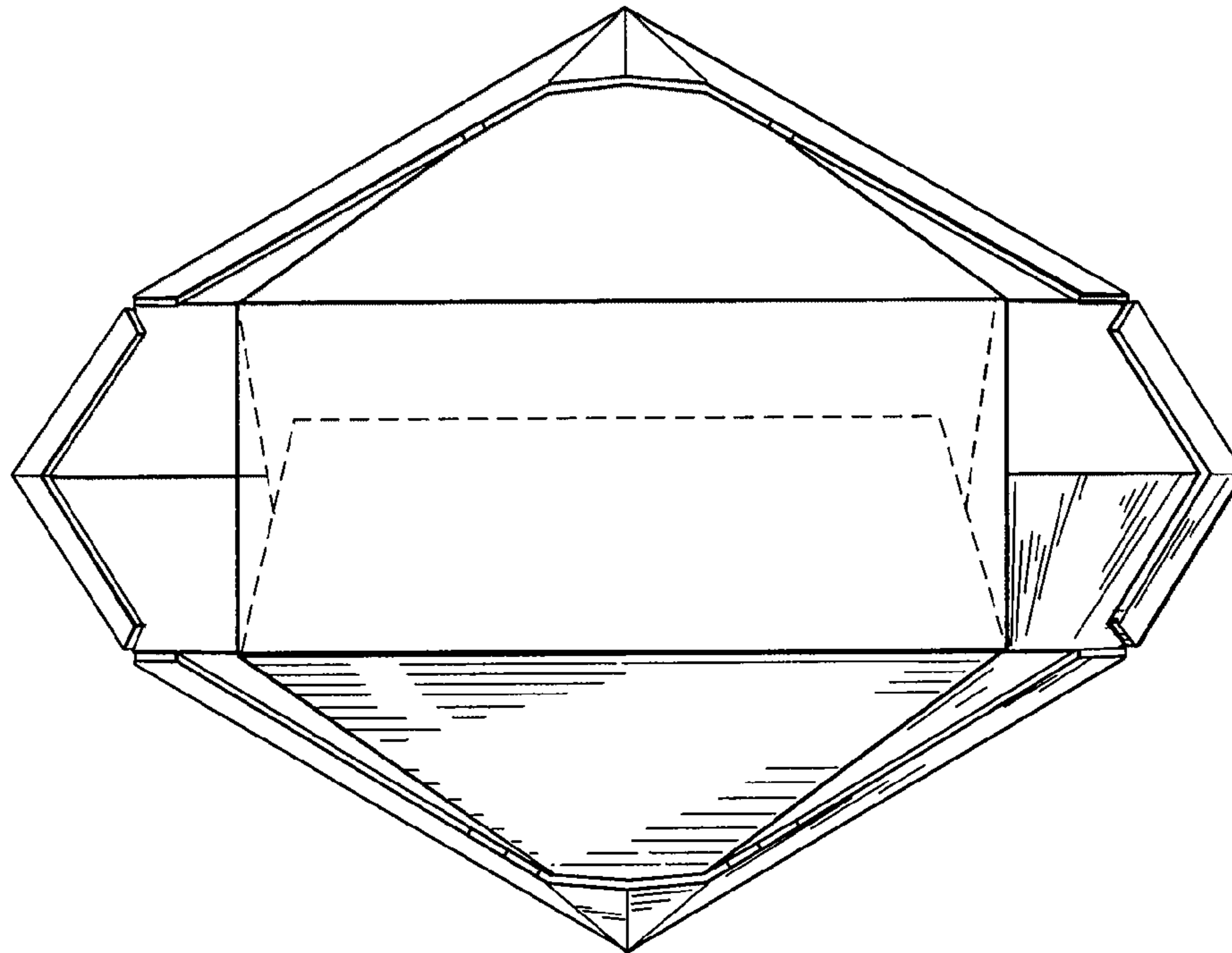


FIG. 4

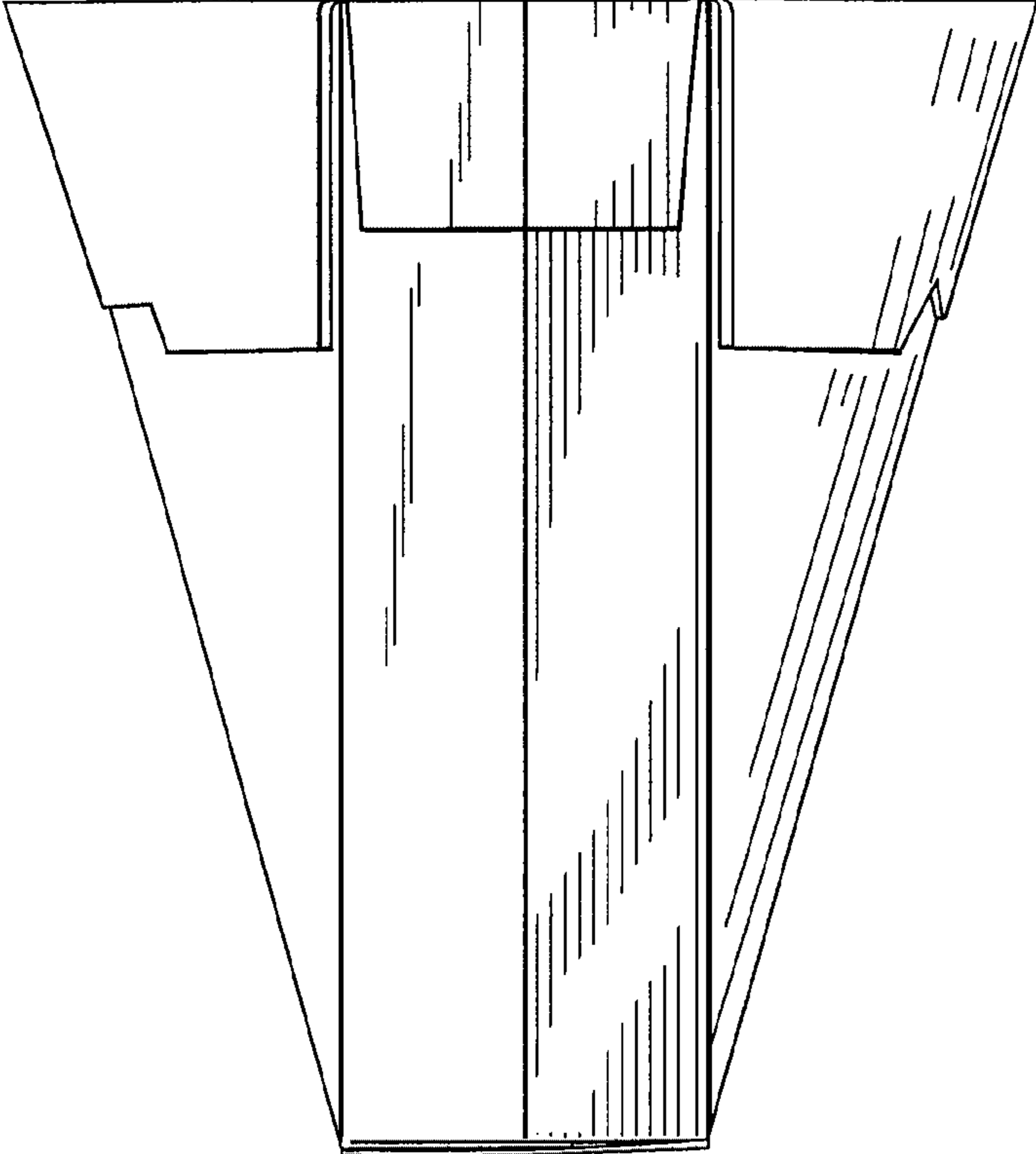


FIG. 5

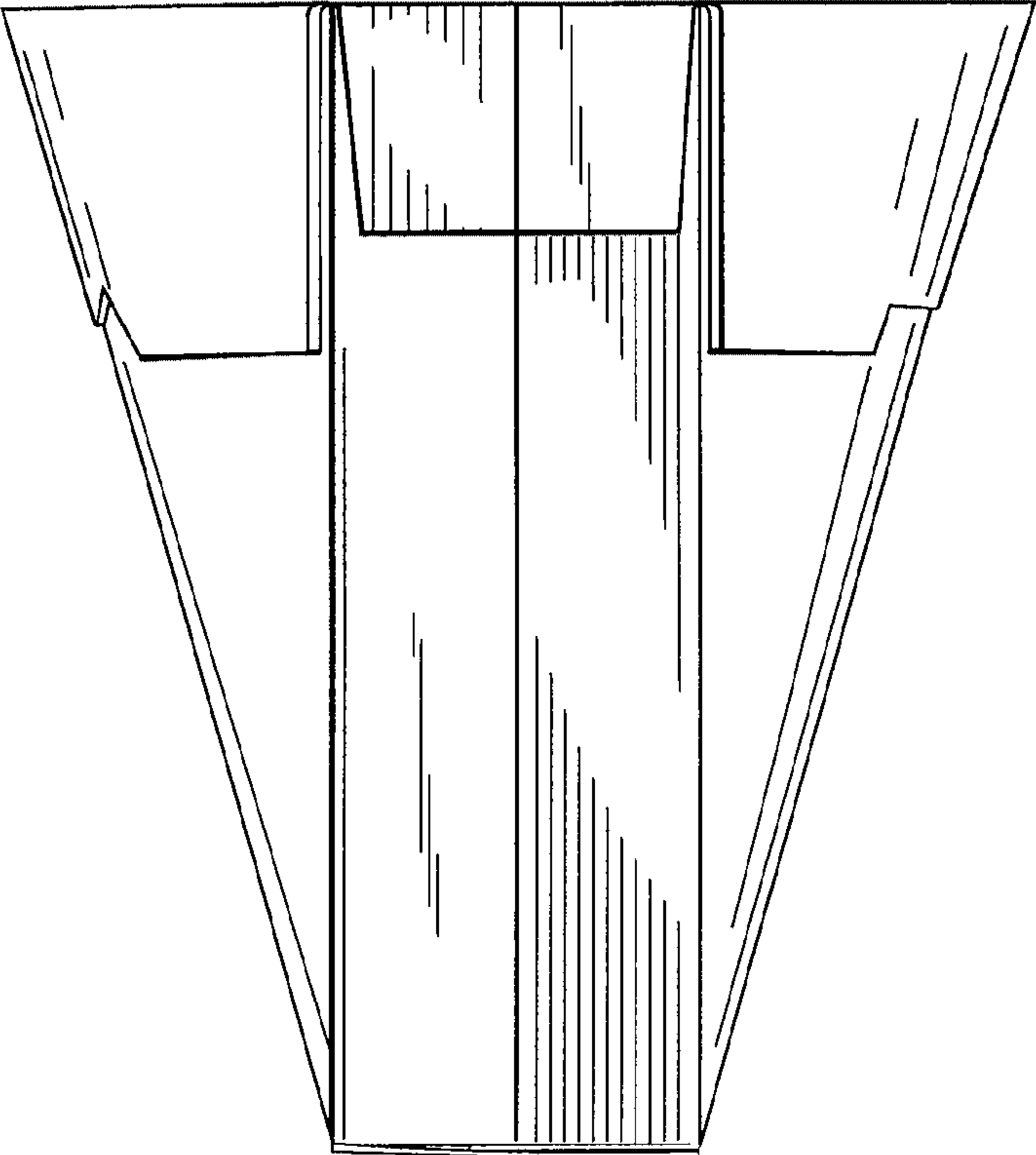


FIG. 6

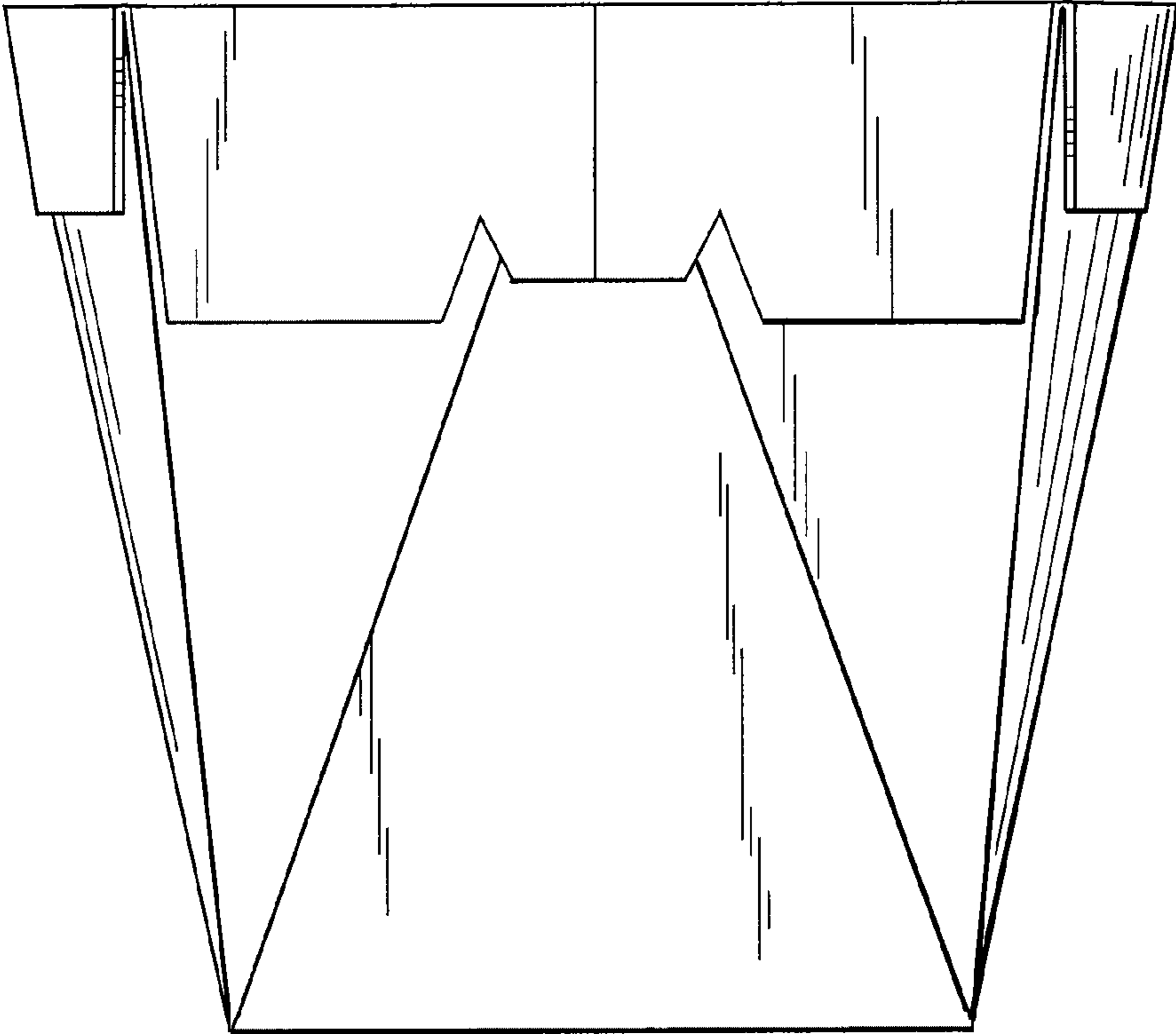


FIG. 7

