



US00D661160S

(12) **United States Design Patent**
Shah

(10) **Patent No.:** **US D661,160 S**
(45) **Date of Patent:** **** Jun. 5, 2012**

(54) **CASSEROLE**

(75) Inventor: **Haresh Velji Shah**, Mumbai (IN)

(73) Assignee: **Tokyo Plast International Ltd.**,
Mumbai (IN)

(**) Term: **14 Years**

(21) Appl. No.: **29/404,973**

(22) Filed: **Oct. 27, 2011**

(30) **Foreign Application Priority Data**

Jul. 25, 2011 (IN) 238275
(51) **LOC (9) Cl.** **07-01**

(52) **U.S. Cl.** **D7/538**

(58) **Field of Classification Search** D7/505,
D7/500, 587, 586, 506, 538, 555, 541, 545,
D7/546, 548, 553.1, 610, 566, 570, 629, 601,
D7/360, 543, 584; D9/307, 341, 342, 343,
D9/344, 345, 346, 347, 348, 543, 414, 761;
206/561; 220/575, 574; 29/527.1; 264/553
See application file for complete search history.

(56) **References Cited**

U.S. PATENT DOCUMENTS

D228,114 S * 8/1973 De la Rosa D7/542
D353,080 S * 12/1994 Cantereels et al. D7/667

D439,376 S * 3/2001 Lerolle D28/82
D594,704 S * 6/2009 Loaiza D7/542
D625,149 S * 10/2010 Stamper D7/538
D635,402 S * 4/2011 Shah D7/538
D641,200 S * 7/2011 Lion et al. D7/356
D644,490 S * 9/2011 Shah D7/542

* cited by examiner

Primary Examiner — Cynthia Underwood

(74) *Attorney, Agent, or Firm* — Notaro, Michalos &
Zaccaria P.C.

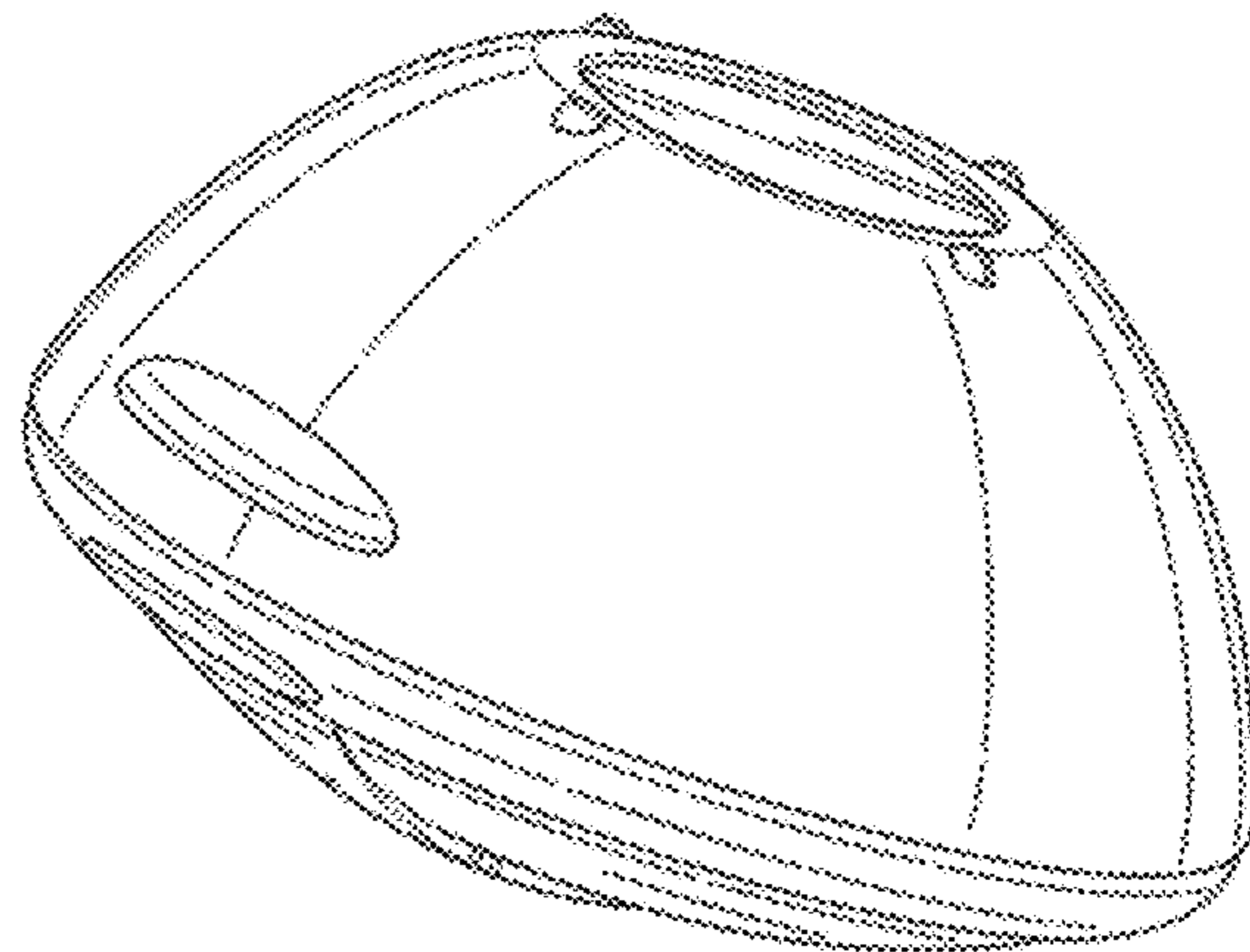
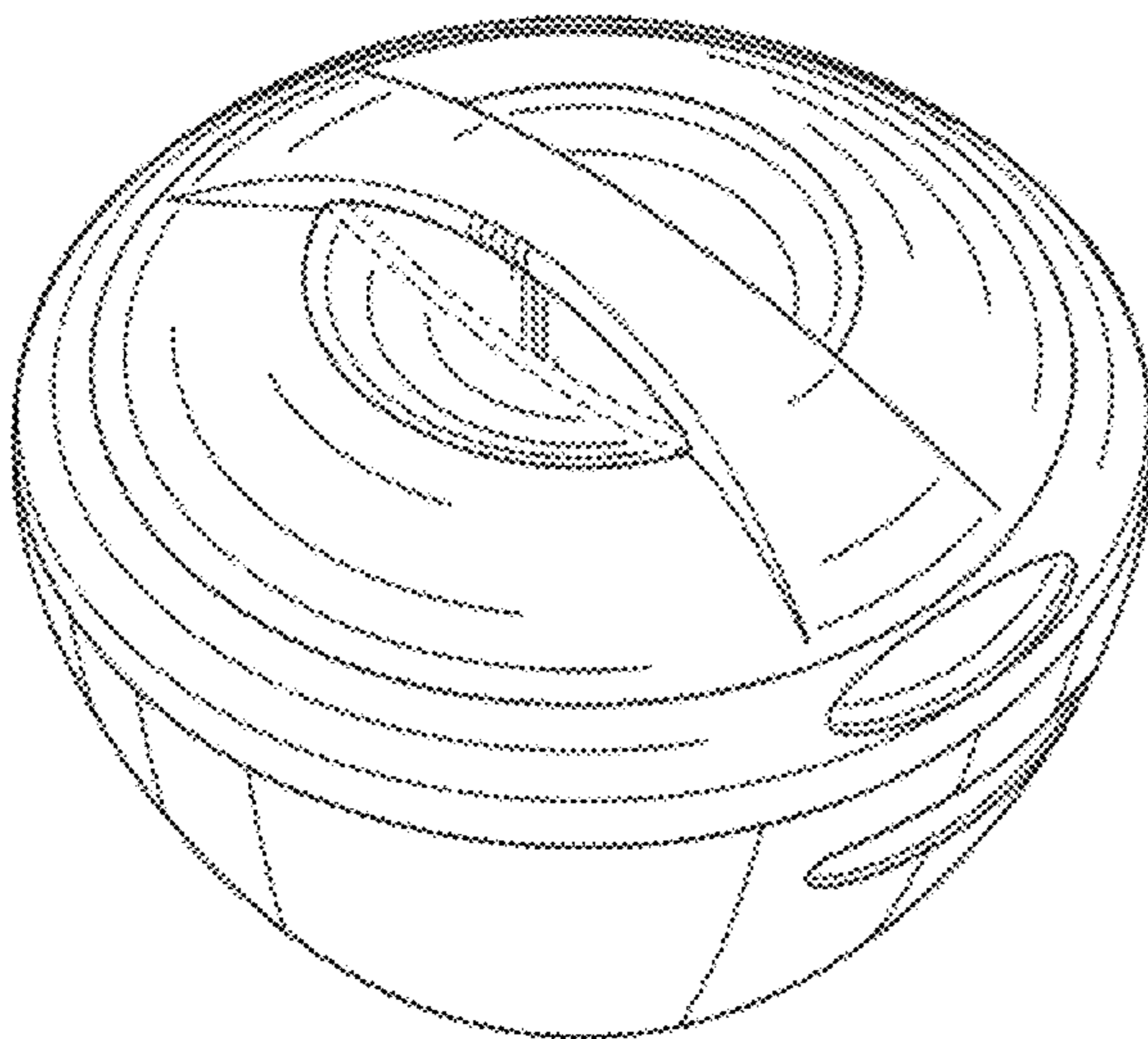
(57) **CLAIM**

The ornamental design for a casserole, as shown and described.

DESCRIPTION

FIG. 1 is a top, front, side perspective view of a casserole showing my new design therefor; the broken lines on the side of the handle forming no part of the design;
FIG. 2 is a bottom, rear, side perspective view thereof;
FIG. 3 is a front elevational view thereof;
FIG. 4 is a side elevational view thereof;
FIG. 5 is a top plan view thereof; and,
FIG. 6 is a bottom plan view thereof.

1 Claim, 6 Drawing Sheets



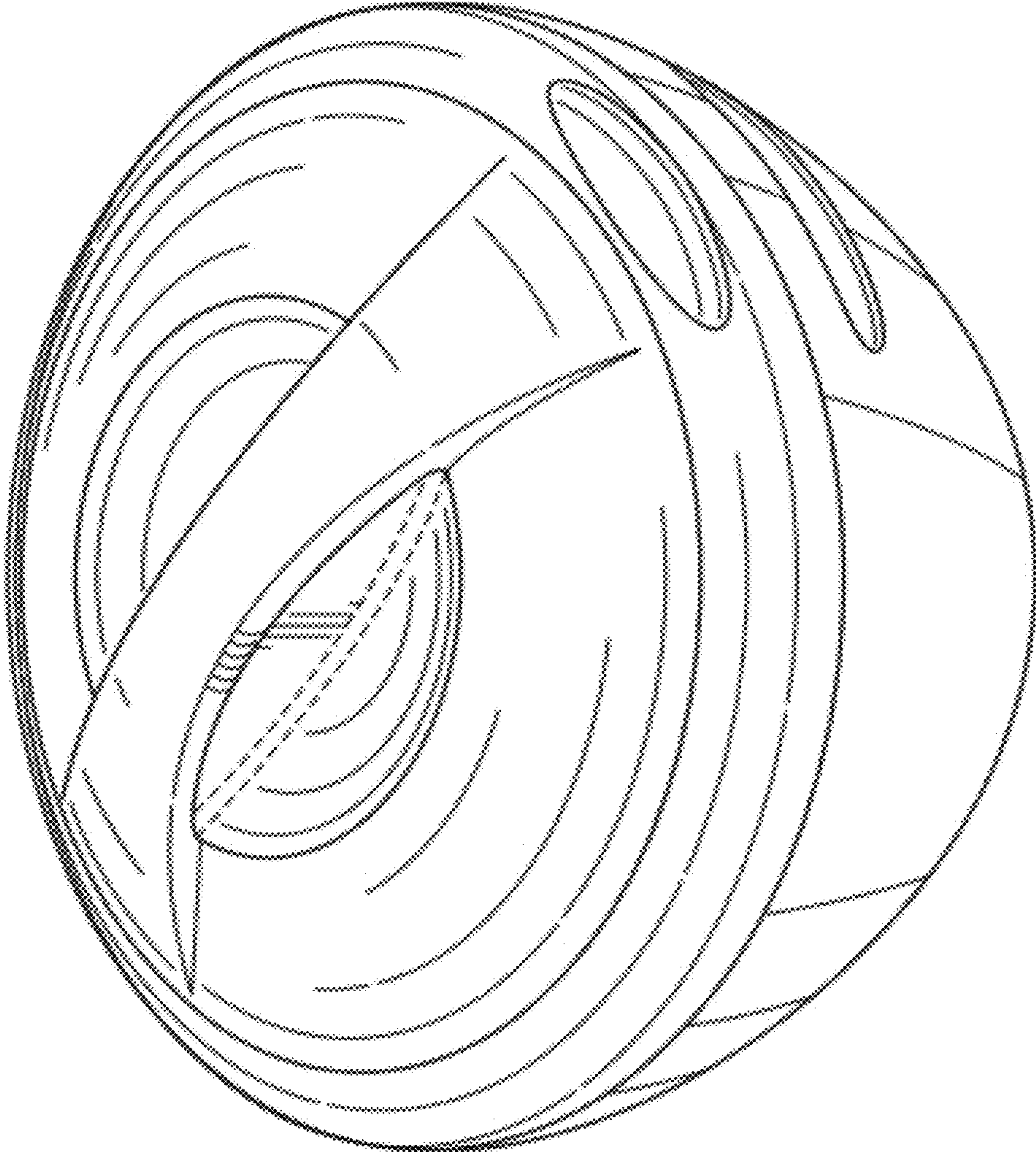


FIG. 1

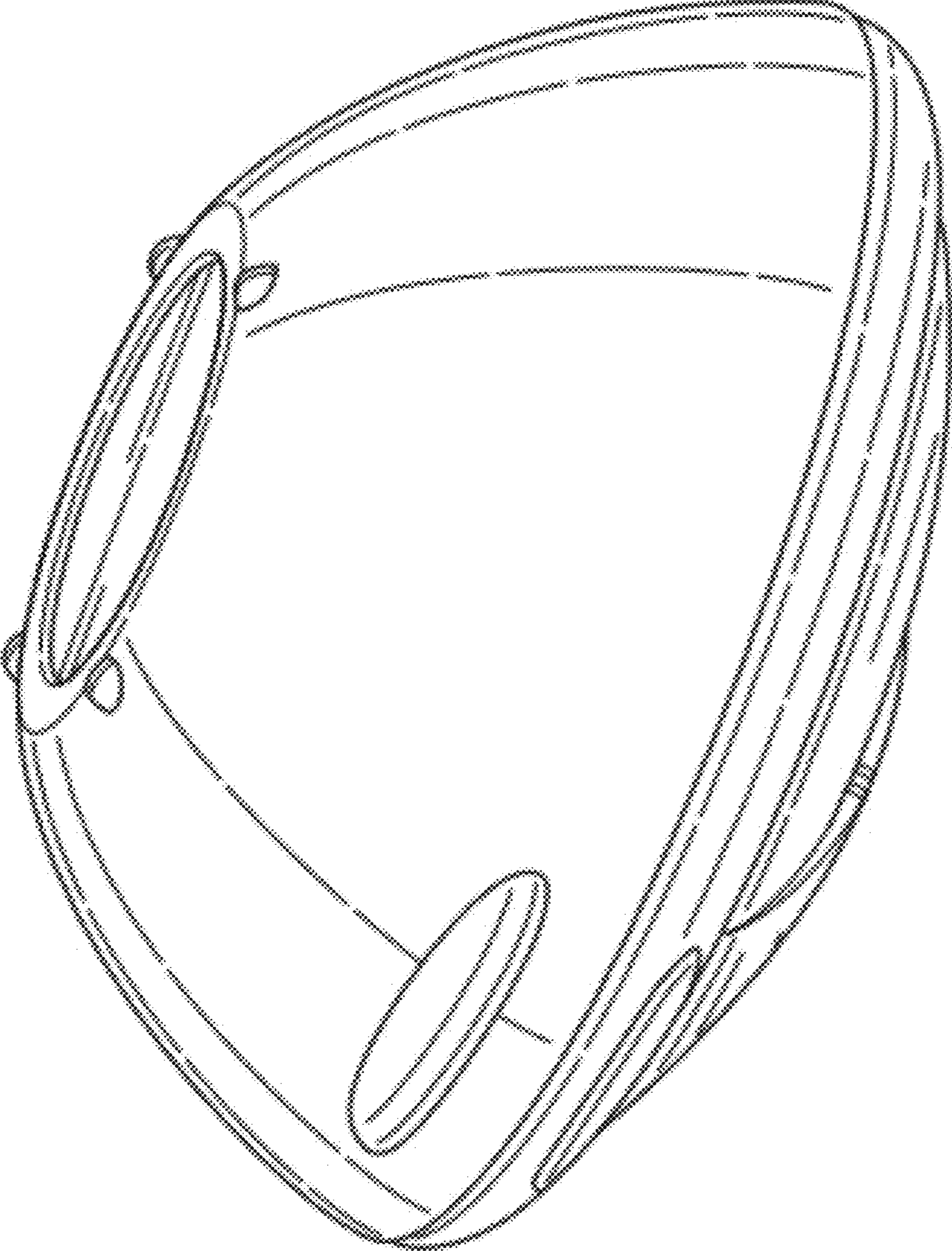


FIG. 2

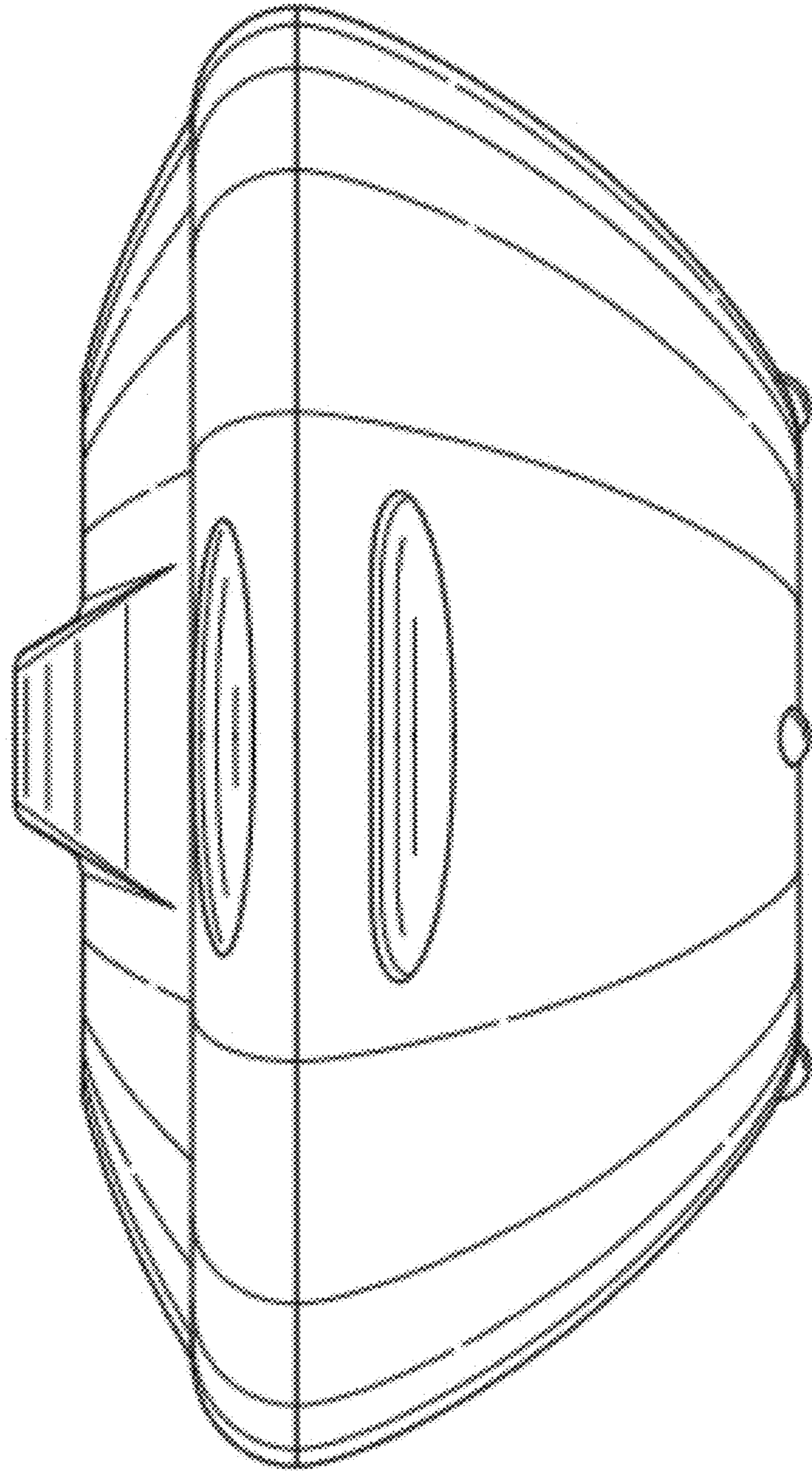


FIG. 3

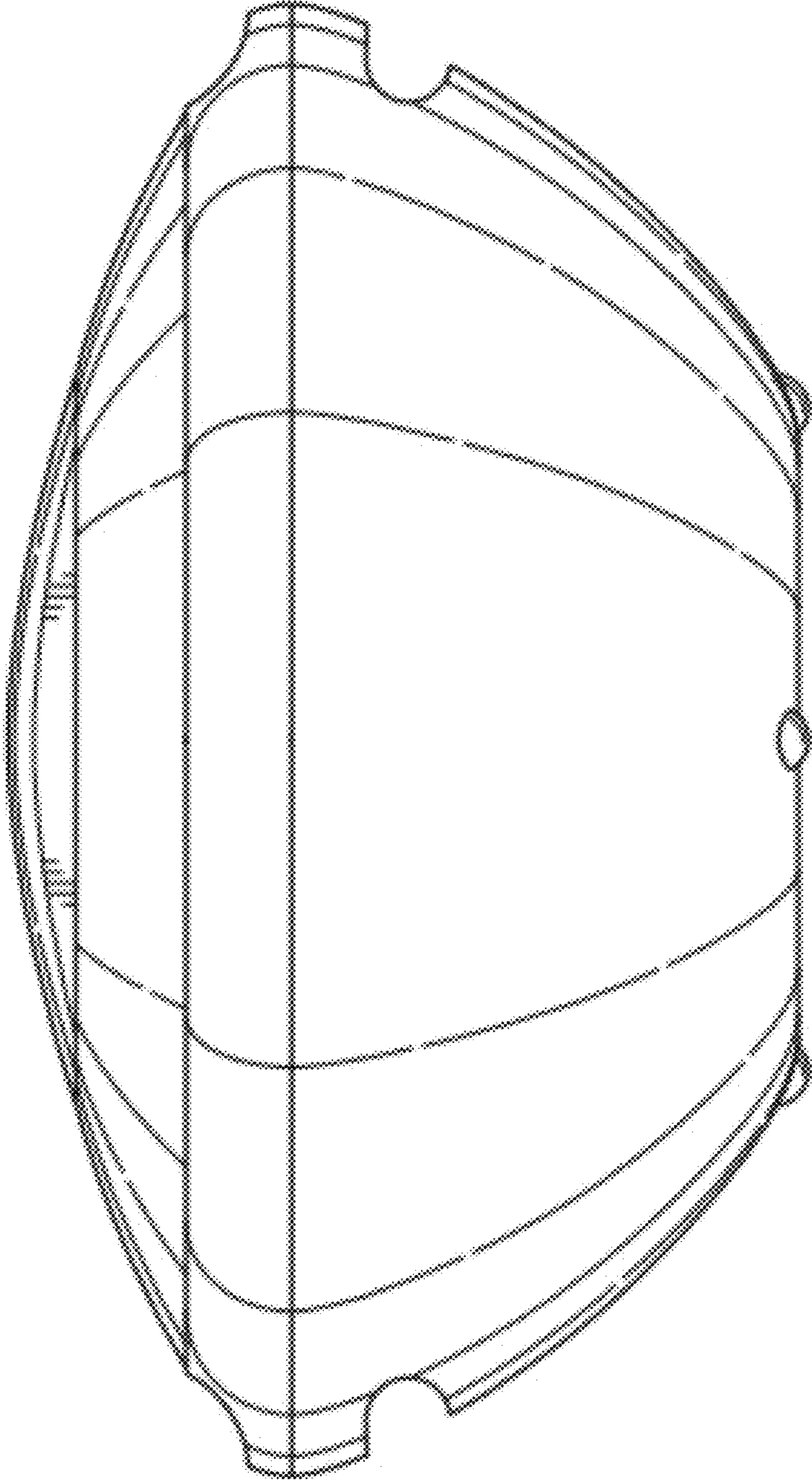


FIG. 4

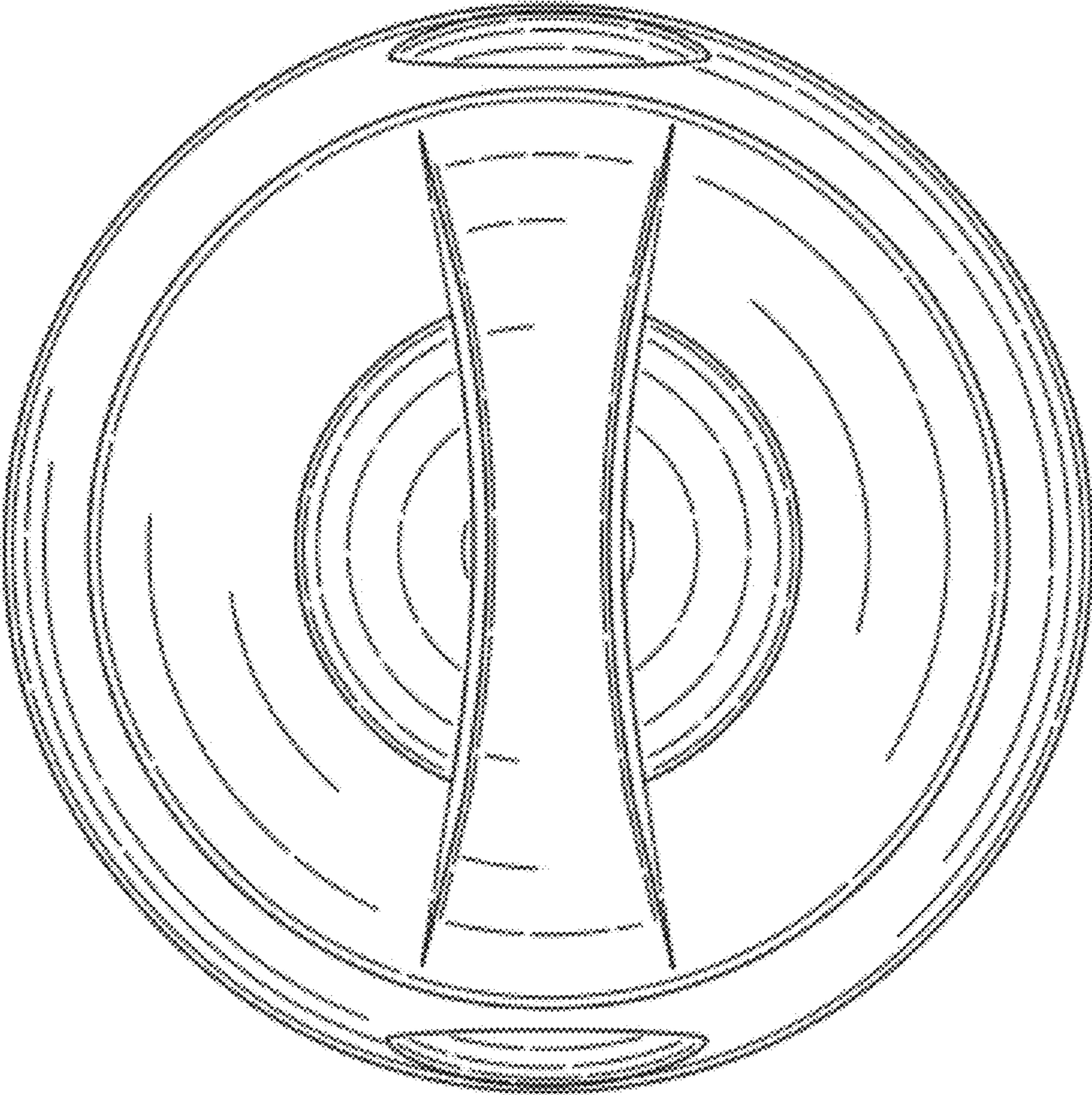


FIG. 5

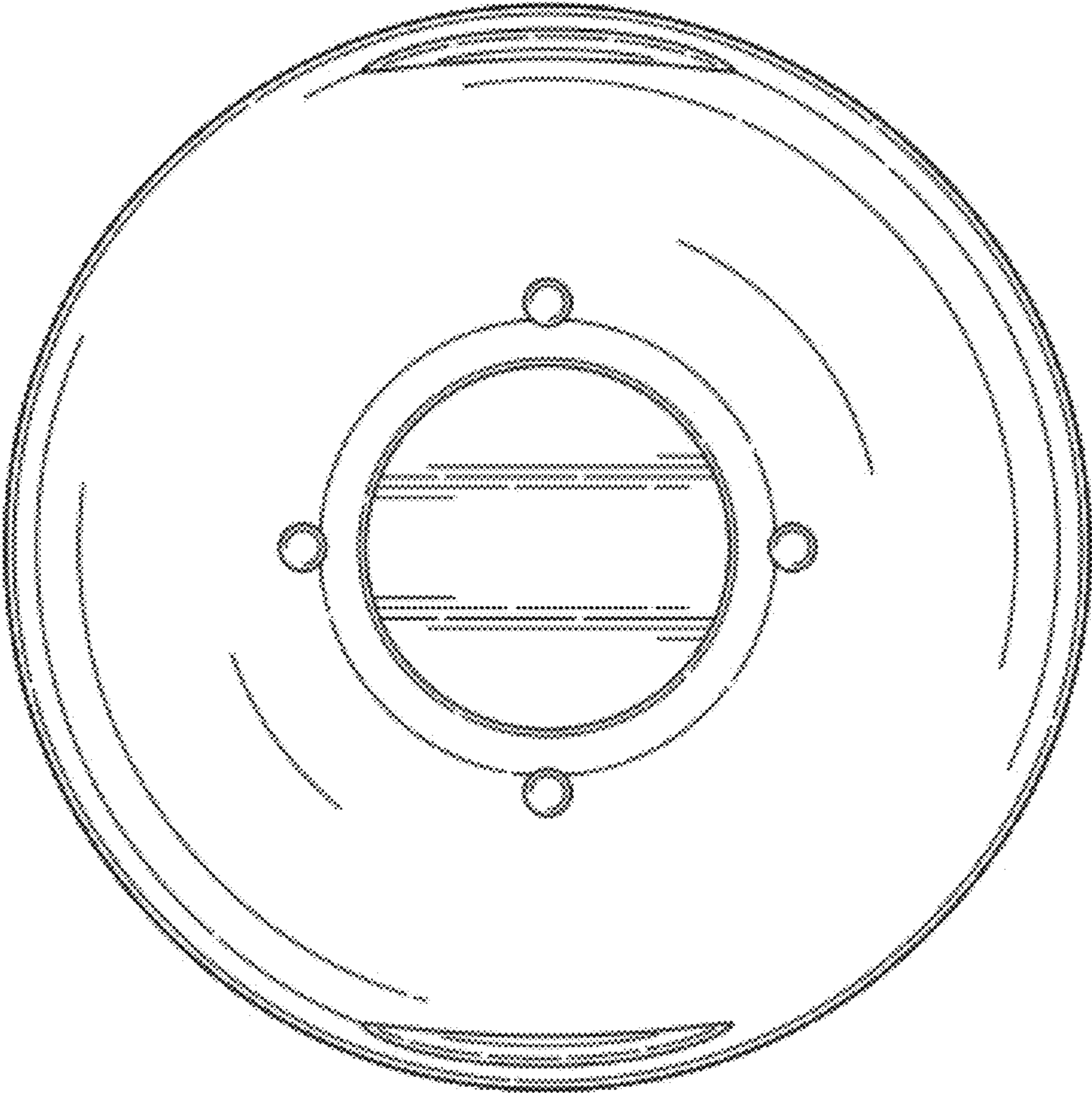


FIG. 6