



US00D661155S

(12) **United States Design Patent**
Young

(10) **Patent No.:** **US D661,155 S**

(45) **Date of Patent:** **** Jun. 5, 2012**

- (54) **MOTORCYCLE ENGINE GRILL**
- (76) Inventor: **David Young**, Nanoimo (CA)
- (**) Term: **14 Years**
- (21) Appl. No.: **29/385,581**
- (22) Filed: **Feb. 16, 2011**
- (51) **LOC (9) Cl.** **07-02**
- (52) **U.S. Cl.** **D7/334**
- (58) **Field of Classification Search** D7/332,
D7/334-337, 402-406; 126/25 R, 9 R, 41 R,
126/40, 50, 29, 25 A, 25 AA, 26; 99/446,
99/447, 450, 482, 339, 340
See application file for complete search history.

- D608,587 S * 1/2010 Bluestone et al. D7/402
- D623,001 S 9/2010 Lovay
- D623,888 S 9/2010 Chung
- D624,782 S 10/2010 Chung
- D627,195 S 11/2010 Marin
- D627,590 S 11/2010 Proffitt et al.
- D627,597 S 11/2010 Henry

* cited by examiner

Primary Examiner — Ruth McInroy

(74) *Attorney, Agent, or Firm* — Buckingham, Doolittle & Burroughs, LLP

(56) **References Cited**

U.S. PATENT DOCUMENTS

- D340,613 S 10/1993 Kesling
- D356,005 S 3/1995 Goble
- D425,752 S 5/2000 Ethridge
- D442,421 S 5/2001 Cragg
- D443,463 S * 6/2001 Szollosy D7/332
- D497,078 S 10/2004 Ethridge
- D534,765 S * 1/2007 Thurman et al. D7/402
- D535,140 S * 1/2007 Thurman et al. D7/335
- D563,151 S 3/2008 Henry
- D568,090 S 5/2008 Lam
- D578,821 S * 10/2008 Young D7/332
- D587,873 S 3/2009 Eshleman et al.
- D592,004 S 5/2009 Loving

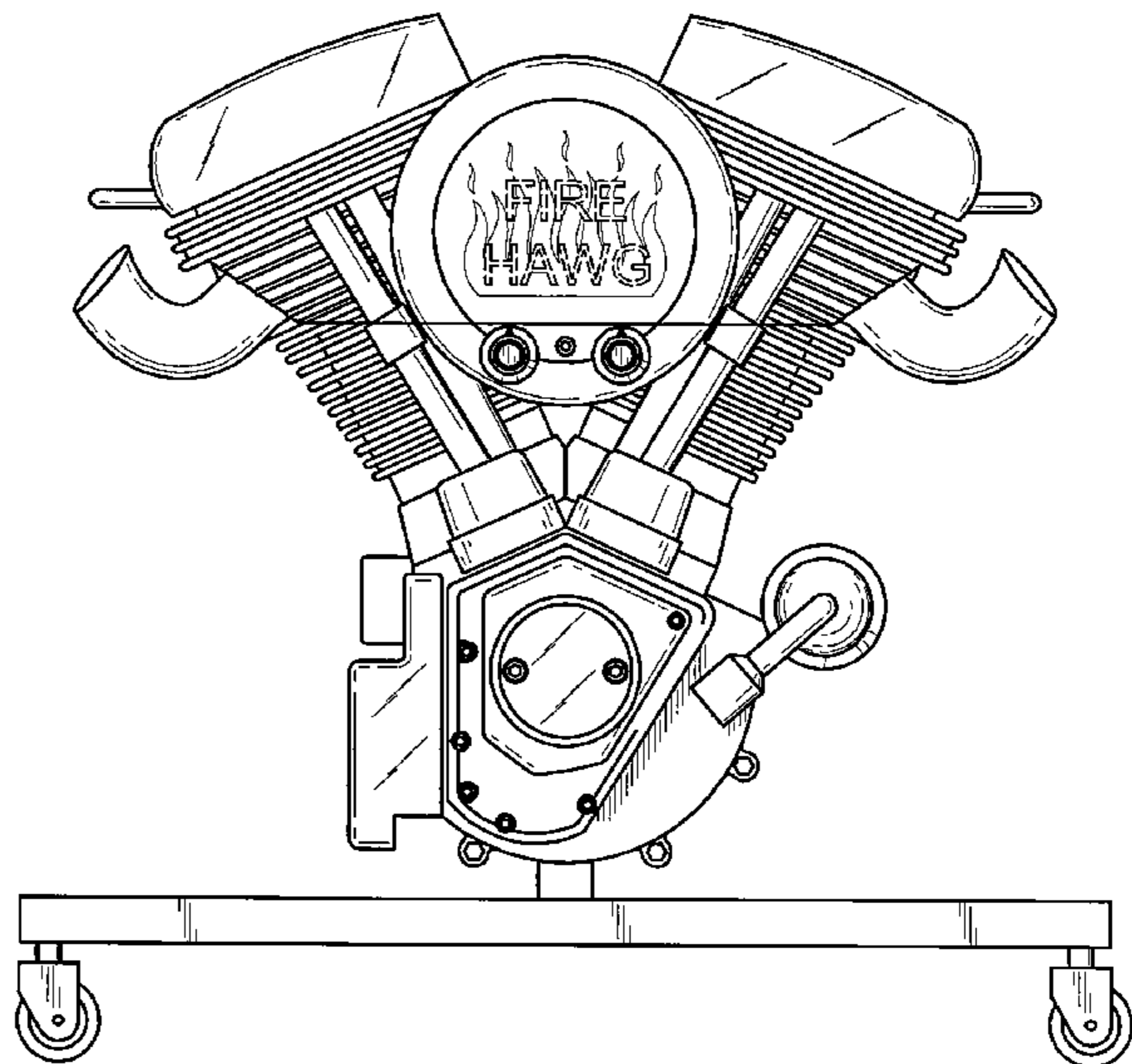
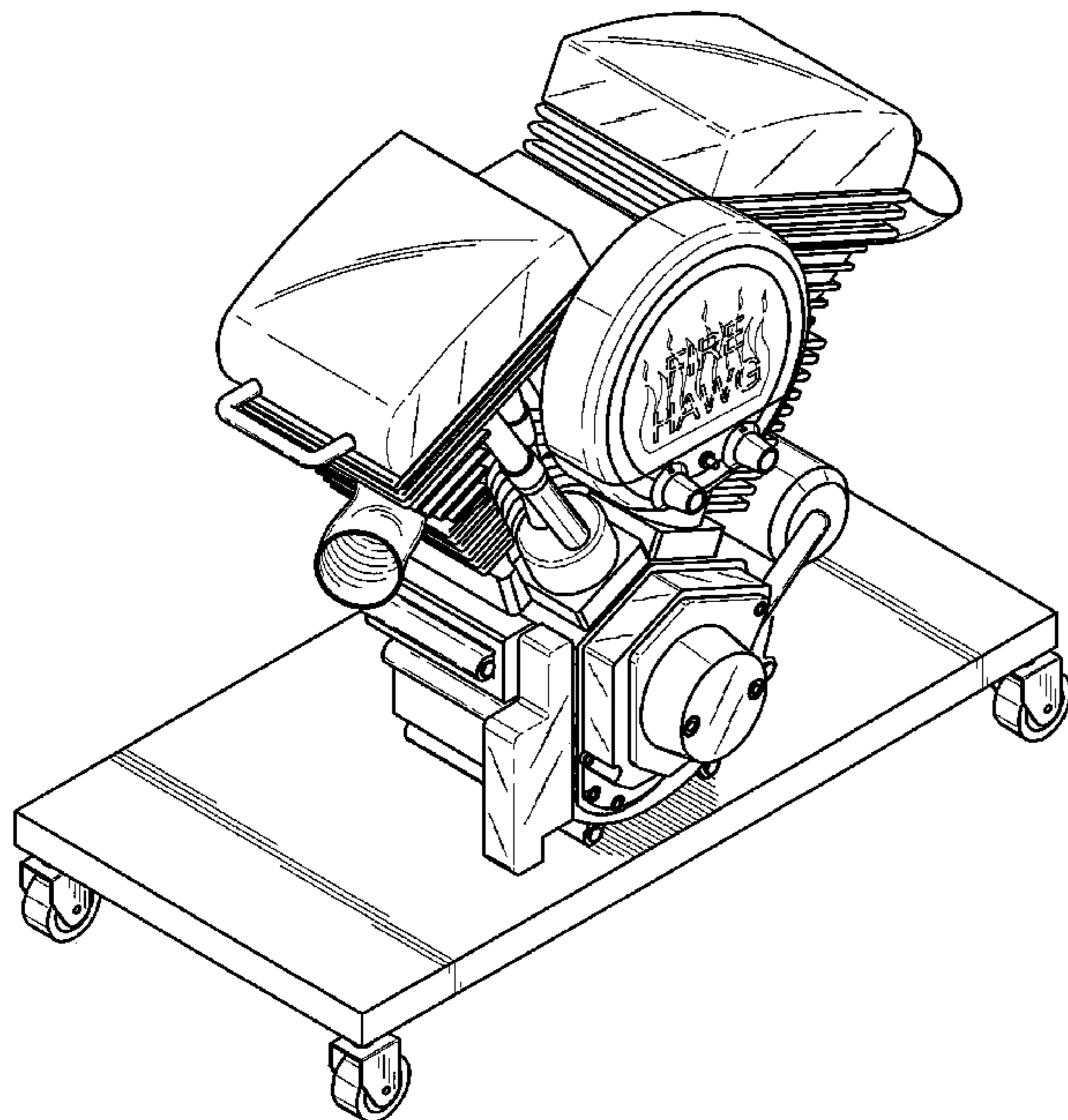
(57) **CLAIM**

I claim the ornamental design for motorcycle engine grill, as shown.

DESCRIPTION

FIG. 1 is a perspective view of a motorcycle engine grill showing my new design;
 FIG. 2 is a front elevation view thereof;
 FIG. 3 is a top plan view thereof;
 FIG. 4 is a left side elevation view thereof;
 FIG. 5 is a right side elevation view thereof;
 FIG. 6 is a rear elevation view thereof; and,
 FIG. 7 is a left side elevation view thereof with the lid in an open position.

1 Claim, 6 Drawing Sheets



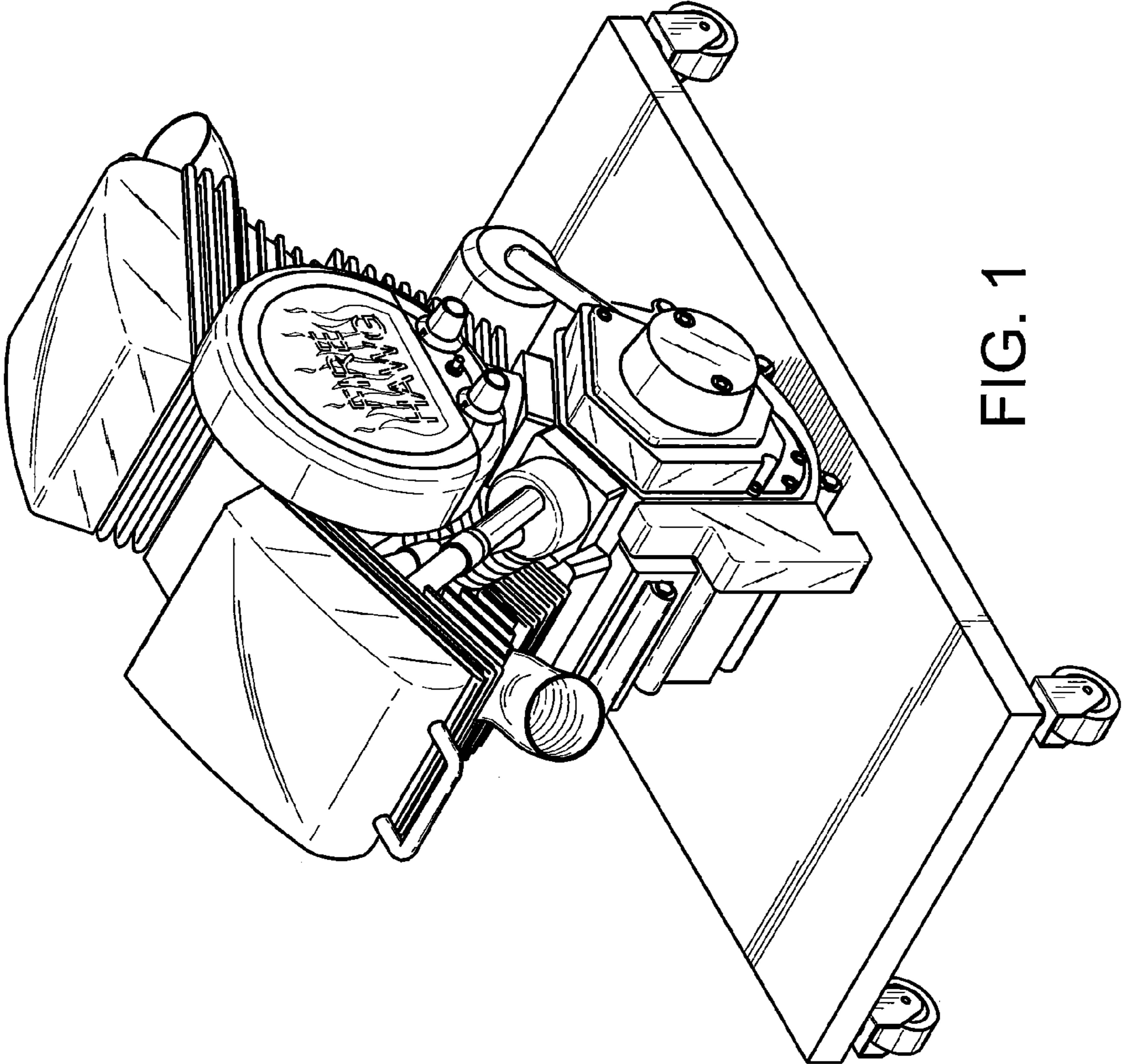


FIG. 1

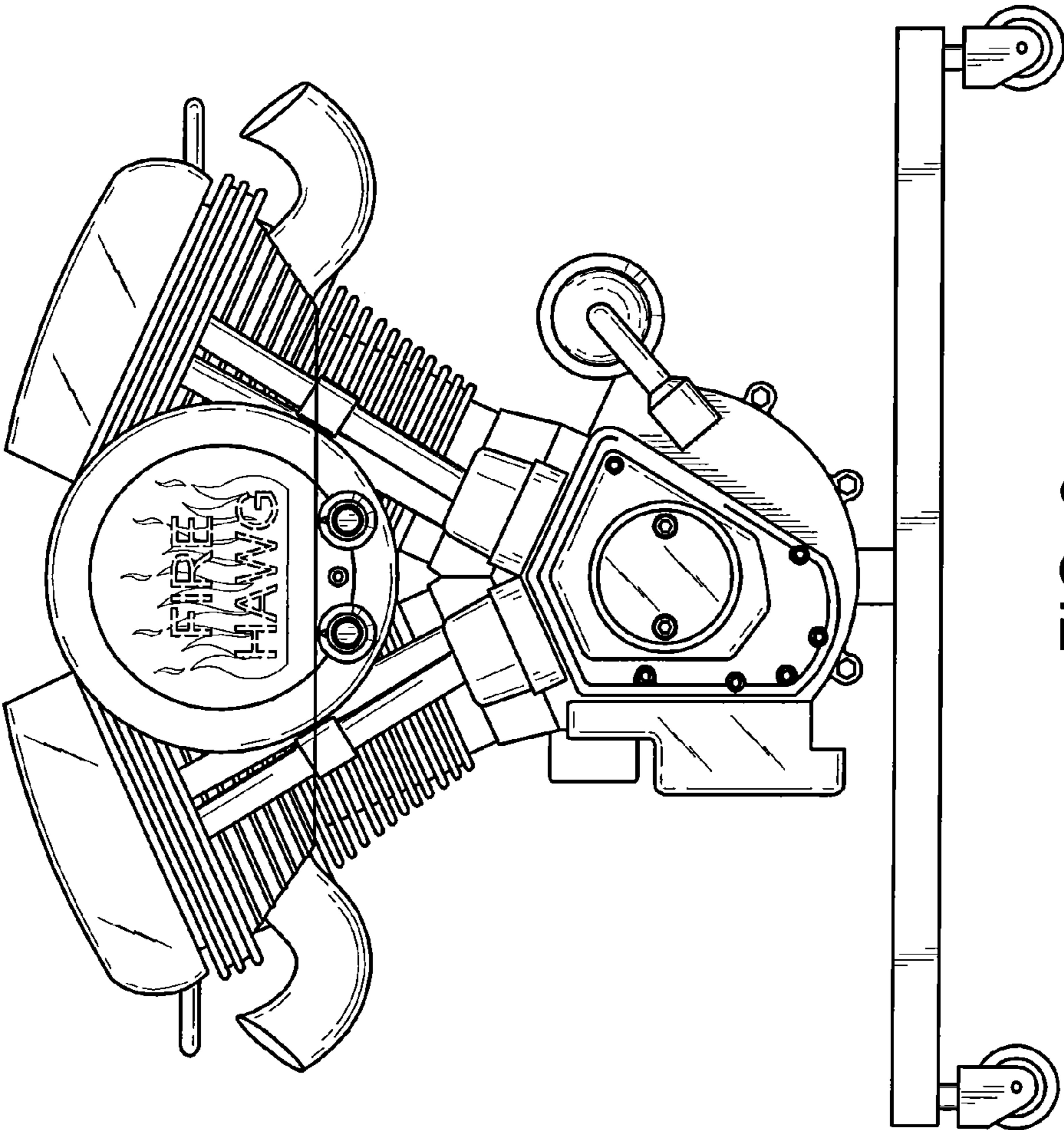


FIG. 2

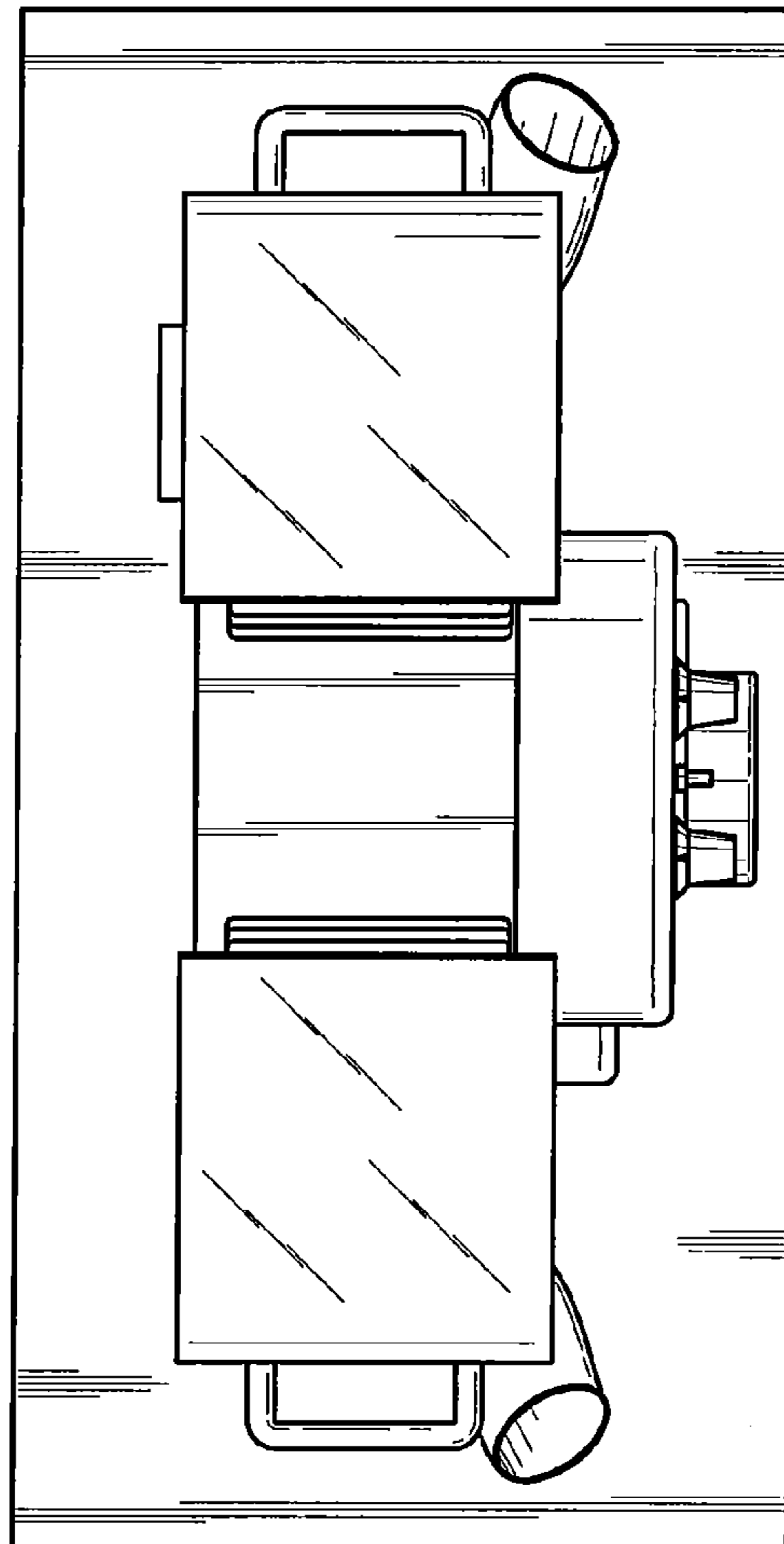


FIG. 3

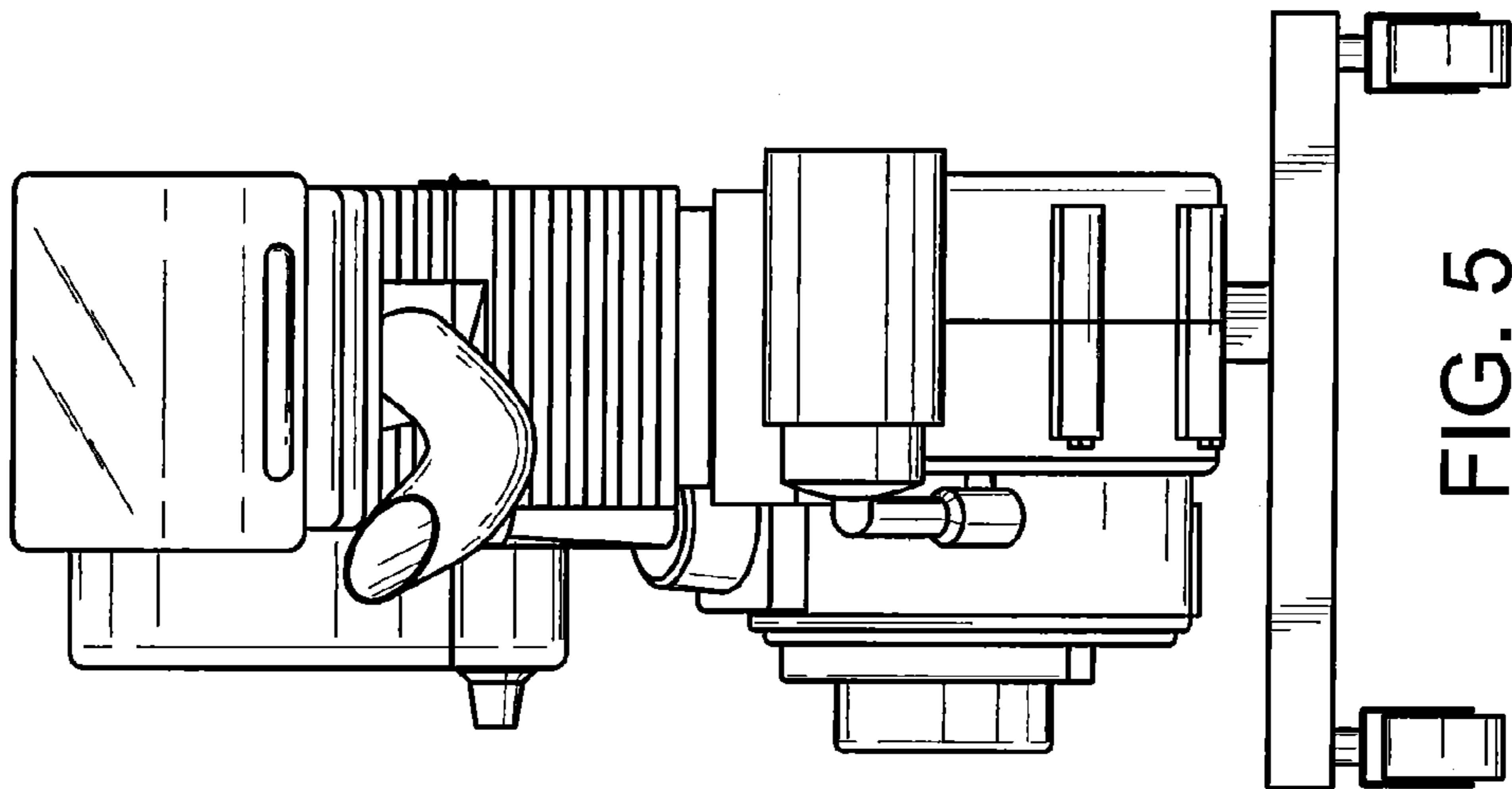


FIG. 5

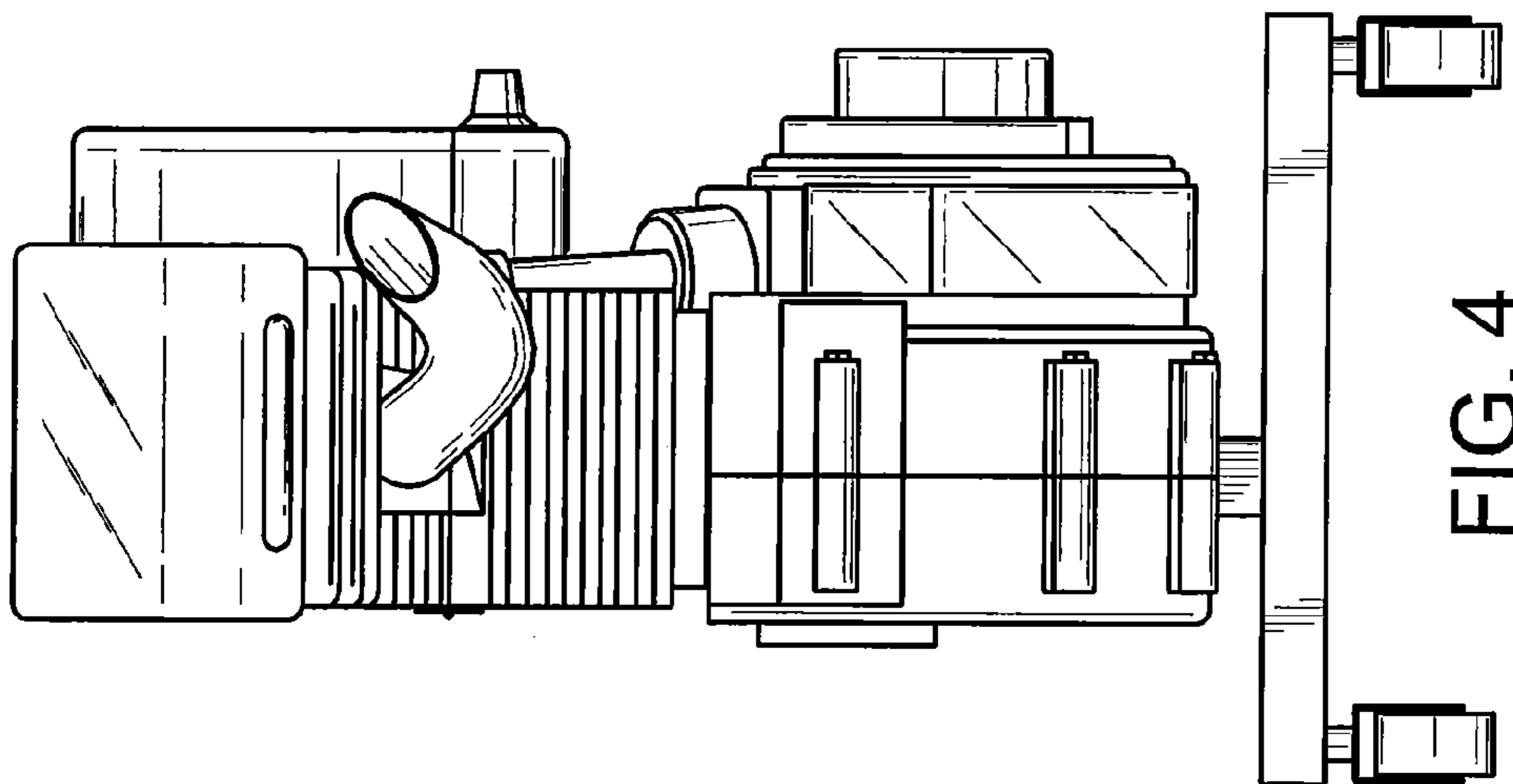


FIG. 4

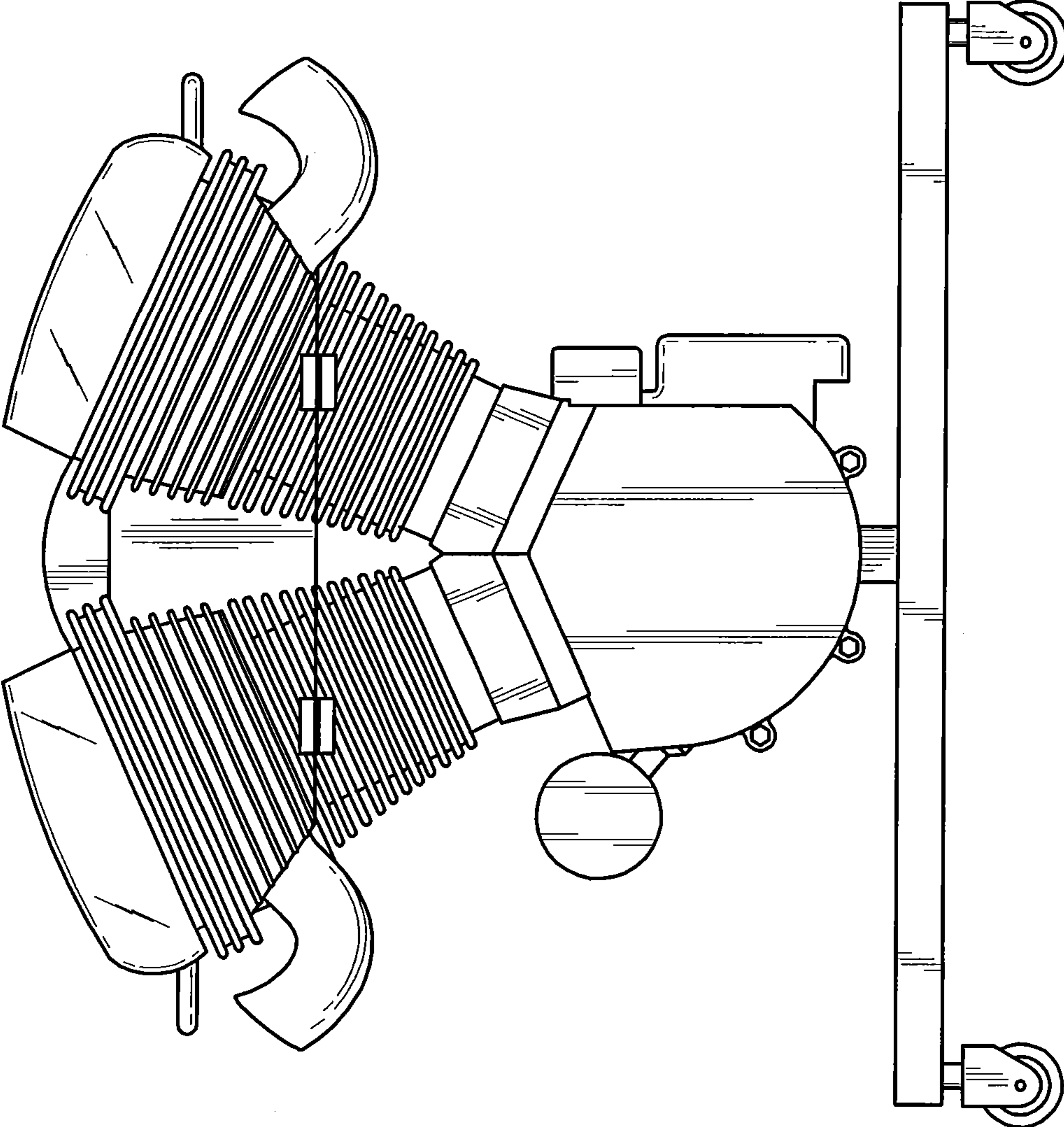


FIG. 6

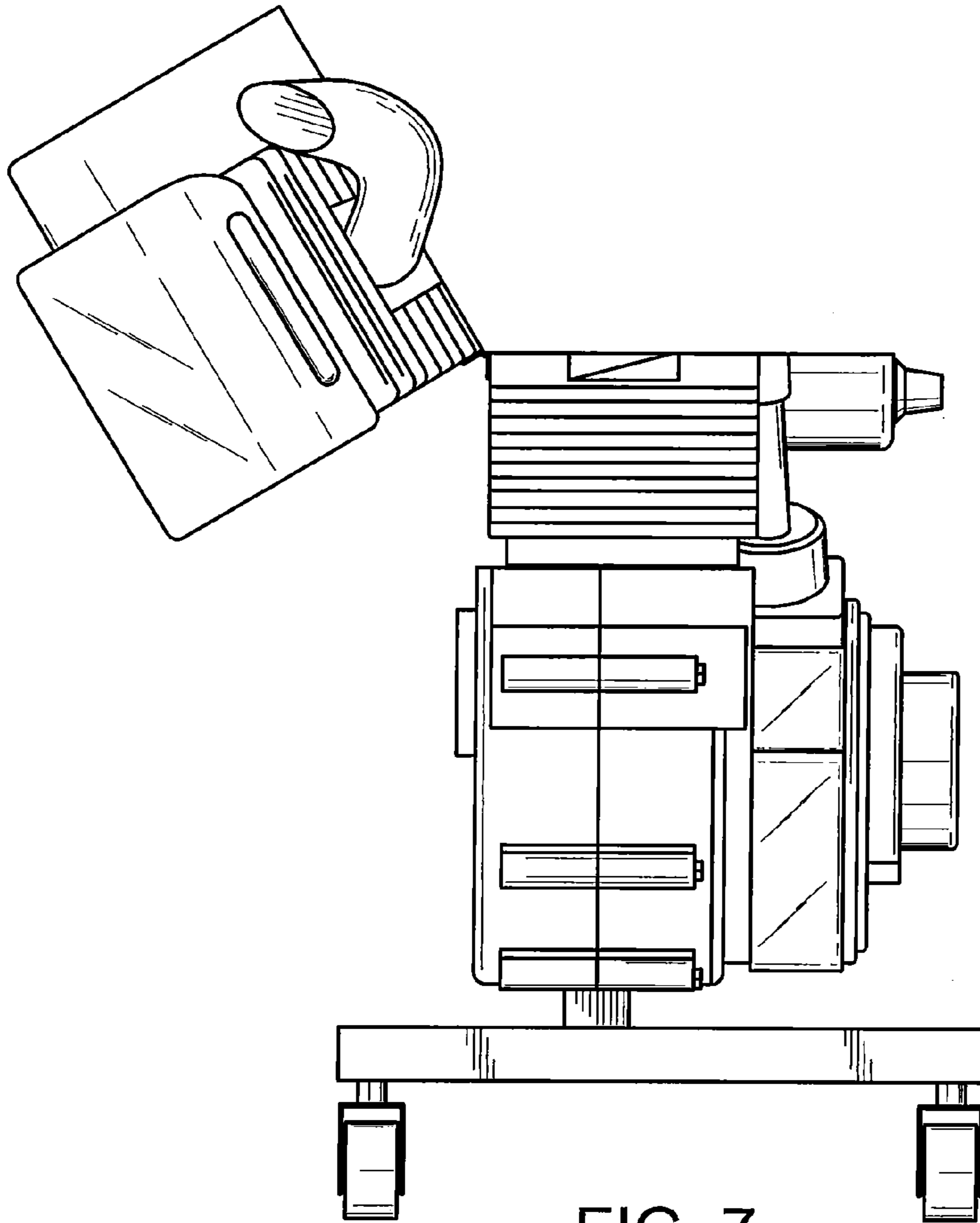


FIG. 7