



US00D661153S

(12) **United States Design Patent**
Reisenhus

(10) **Patent No.:** **US D661,153 S**
(45) **Date of Patent:** **** Jun. 5, 2012**

(54) **BODY SUPPORT**

(75) Inventor: **Thomas Hoegh Reisenhus**, Otterup (DK)

(73) Assignee: **Dan-Foam APS**, Aarup (DK)

(**) Term: **14 Years**

(21) Appl. No.: **29/410,903**

(22) Filed: **Jan. 13, 2012**

Related U.S. Application Data

(63) Continuation of application No. 29/377,051, filed on Oct. 15, 2010, now Pat. No. Des. 653,895.

(30) **Foreign Application Priority Data**

- Apr. 16, 2010 (EM) 001696535-0001
- Apr. 16, 2010 (EM) 001696535-0002
- Apr. 16, 2010 (EM) 001696535-0003
- Apr. 16, 2010 (EM) 001696535-0004
- Apr. 16, 2010 (EM) 001696535-0005
- Apr. 16, 2010 (EM) 001696535-0006
- Apr. 16, 2010 (EM) 001696535-0007
- Apr. 16, 2010 (EM) 001696535-0008
- Apr. 16, 2010 (EM) 001696535-0009
- Apr. 16, 2010 (EM) 001696535-0010

(51) **LOC (9) Cl.** **06-06**

(52) **U.S. Cl.** **D6/606; D18/24; D20/17**

(58) **Field of Classification Search** D6/595,
D6/596, 601; 5/630, 636-638, 640, 652,
5/653, 655, 655.9, 656, 657, 417, 420, 655.5,
5/731, 740, 736, 739; D5/30; D18/24; D20/17

See application file for complete search history.

(56) **References Cited**

U.S. PATENT DOCUMENTS

- 2,371,788 A 3/1945 Weeber
- 2,588,846 A 3/1952 Kane
- 2,696,918 A 12/1954 Arelt
- 2,768,924 A 10/1956 Wright
- 2,785,739 A 3/1957 McGregory, Jr. et al.
- 2,835,313 A 5/1958 Dodge
- 2,836,228 A 5/1958 Dahle
- D188,483 S 8/1960 Koenigsberg
- 3,133,853 A 5/1964 Knox

(Continued)

FOREIGN PATENT DOCUMENTS

DE 10327258 1/2005

(Continued)

Primary Examiner — Janice Seeger

(57) **CLAIM**

I claim the ornamental design for a body support, as shown and described.

DESCRIPTION

FIG. 1 is a front perspective view of a body support of the present invention.

FIG. 2 is a front view of the body support of FIG. 1.

FIG. 3 is a rear view of the body support of FIG. 1.

FIG. 4 is a right side view of the body support of FIG. 1.

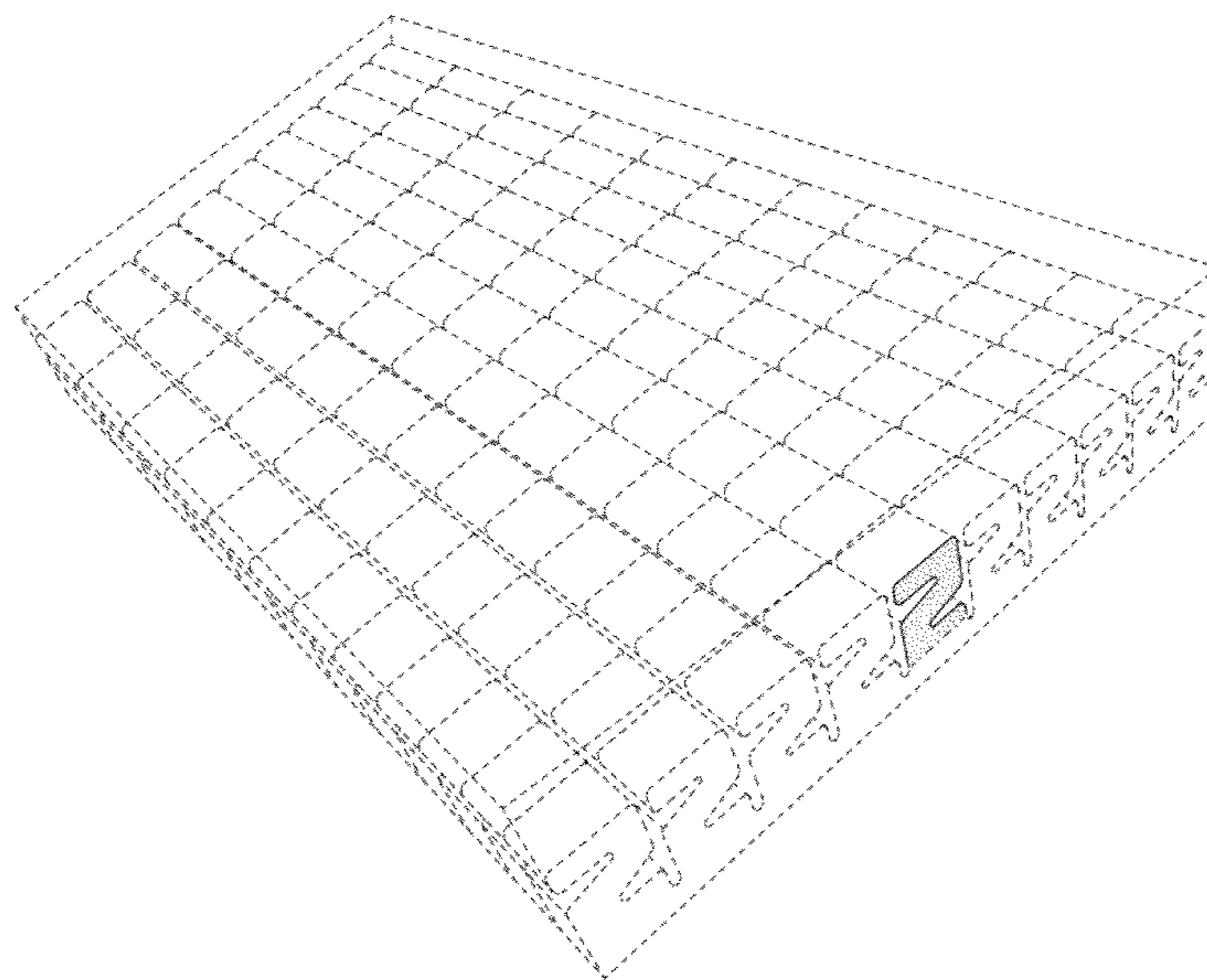
FIG. 5 is a left side view of the body support of FIG. 1.

FIG. 6 is a top view of the body support of FIG. 1; and,

FIG. 7 is a bottom view of the body support of FIG. 1.

The portions of the body support shown in broken lines are included for the purpose of illustrating environment and form no part of the claimed design. The portions of the body support shown in broken lines having unequal length segments illustrate the boundary of the claimed design and form no part of the claimed design.

1 Claim, 5 Drawing Sheets



US D661,153 S

Page 2

U.S. PATENT DOCUMENTS

3,148,390	A	9/1964	Vakousky	
3,222,697	A	12/1965	Scheermesser	
3,574,873	A	4/1971	Weinstein	
3,885,257	A	5/1975	Rogers	
3,940,811	A	3/1976	Tomikawa et al.	
3,974,532	A	8/1976	Ecchuya	
4,047,254	A	9/1977	Hamasu	
4,161,045	A	7/1979	Regan	
4,194,255	A	3/1980	Poppe	
4,207,636	A	6/1980	Ceriani	
D257,155	S *	9/1980	Fennell	D18/24
4,397,053	A	8/1983	Fanti	
4,399,574	A	8/1983	Shuman	
4,524,473	A	6/1985	Fanti	
4,713,854	A	12/1987	Graebe	
D307,688	S	5/1990	Schaefer	
4,980,936	A	1/1991	Frickland et al.	
5,007,124	A	4/1991	Raburn et al.	
5,022,111	A	6/1991	Fenner, Sr.	
5,031,261	A	7/1991	Fenner, Sr.	
5,044,027	A	9/1991	Moon	
5,070,560	A	12/1991	Wilkinson	
D322,907	S	1/1992	Raburn	
5,115,527	A	5/1992	Medley	
5,160,785	A	11/1992	Davidson, Jr.	
5,201,489	A	4/1993	Wolf et al.	
D338,032	S *	8/1993	Wagers	D18/24
5,259,080	A	11/1993	Blaha	
5,491,852	A	2/1996	Maucher	
5,558,314	A	9/1996	Weinstein	
D394,578	S	5/1998	Raburn	

D426,739	S	6/2000	Kidder et al.	
6,085,373	A	7/2000	Montana	
6,202,239	B1	3/2001	Ward et al.	
6,223,371	B1	5/2001	Antinori et al.	
6,237,173	B1	5/2001	Schlichter et al.	
6,257,237	B1	7/2001	Suzuki	
6,578,220	B1	6/2003	Smith	
6,602,579	B2	8/2003	Landvik	
6,611,979	B2	9/2003	Welling et al.	
6,665,897	B2	12/2003	Walpin	
6,668,409	B1	12/2003	Blumer	
D486,027	S	2/2004	Baxter et al.	
6,704,960	B1	3/2004	Lumgair	
6,704,961	B2	3/2004	Kienlein	
6,912,865	B2	7/2005	Seo et al.	
6,912,866	B2	7/2005	Seo et al.	
7,000,277	B2	2/2006	Torres Cervera	
7,059,001	B2	6/2006	Woolfson	
7,100,229	B2	9/2006	O'Reagan	
D584,764	S *	1/2009	Martin-Chen	D18/24
7,496,981	B2	3/2009	Cucurull	
7,520,012	B2	4/2009	Robins	
D653,895	S *	2/2012	Reisenhus	D6/596
2003/0135930	A1	7/2003	Varese et al.	
2006/0123553	A1	6/2006	Jansen	
2009/0013472	A1	1/2009	Koffler et al.	

FOREIGN PATENT DOCUMENTS

EP	1633221	3/2006
GB	2197785	6/1988

* cited by examiner

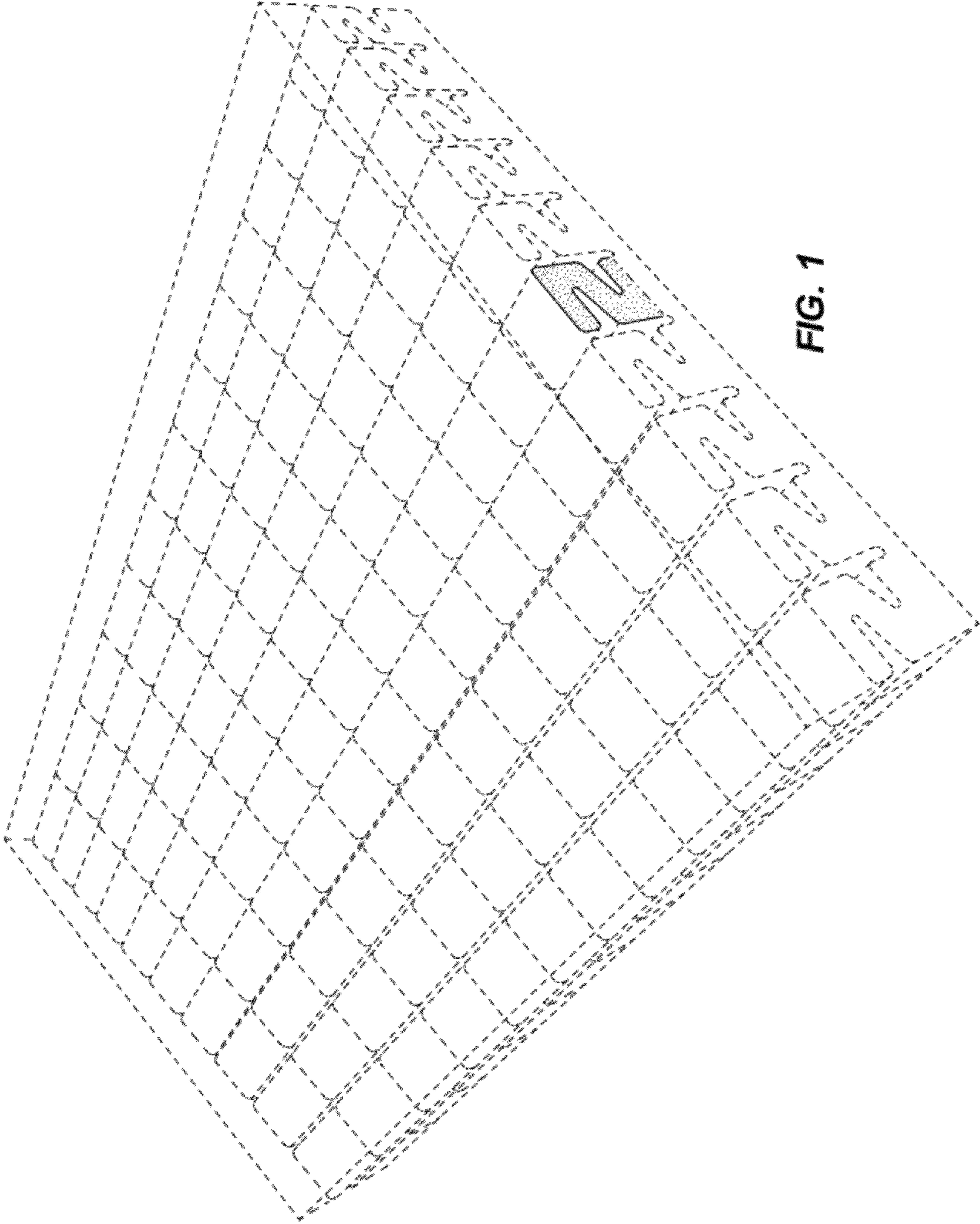


FIG. 1

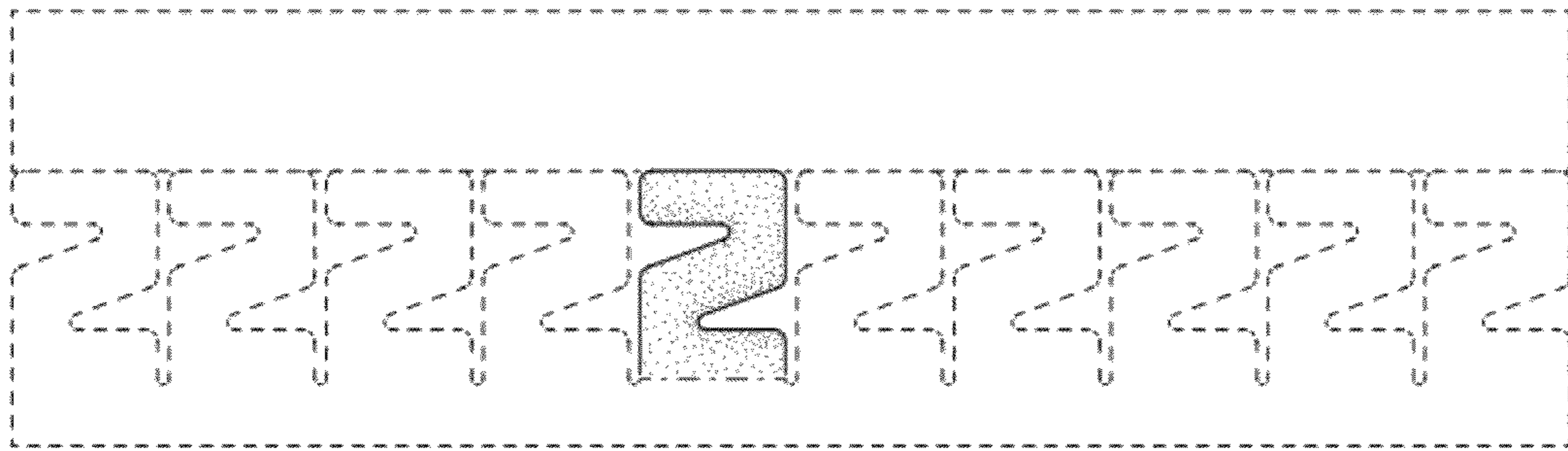


FIG. 2

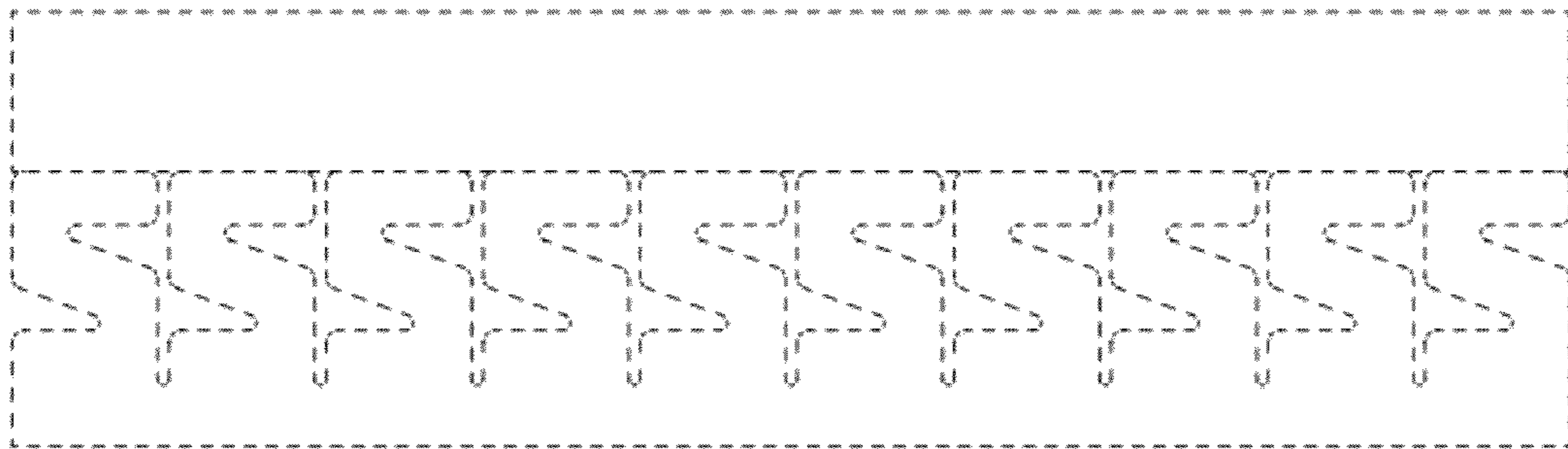


FIG. 3

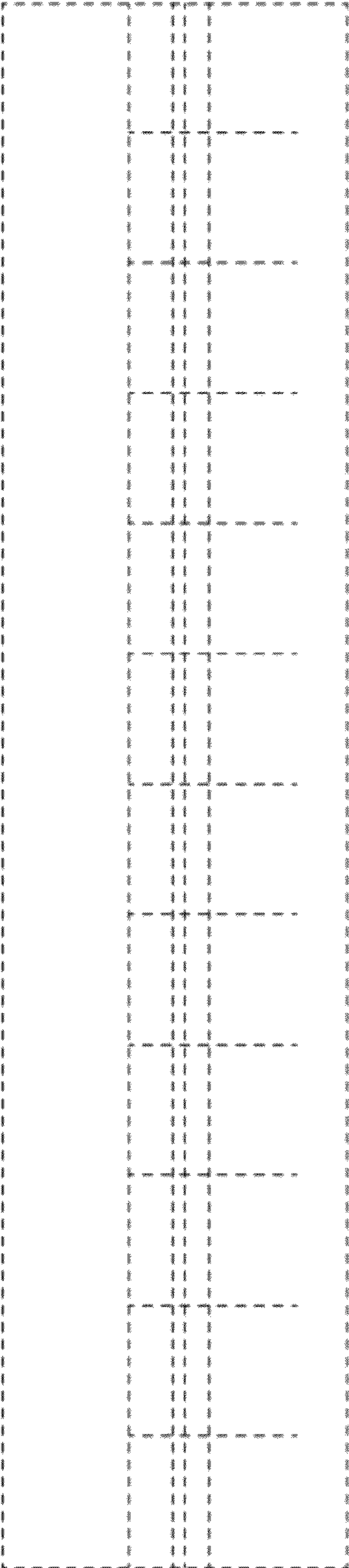


FIG. 4

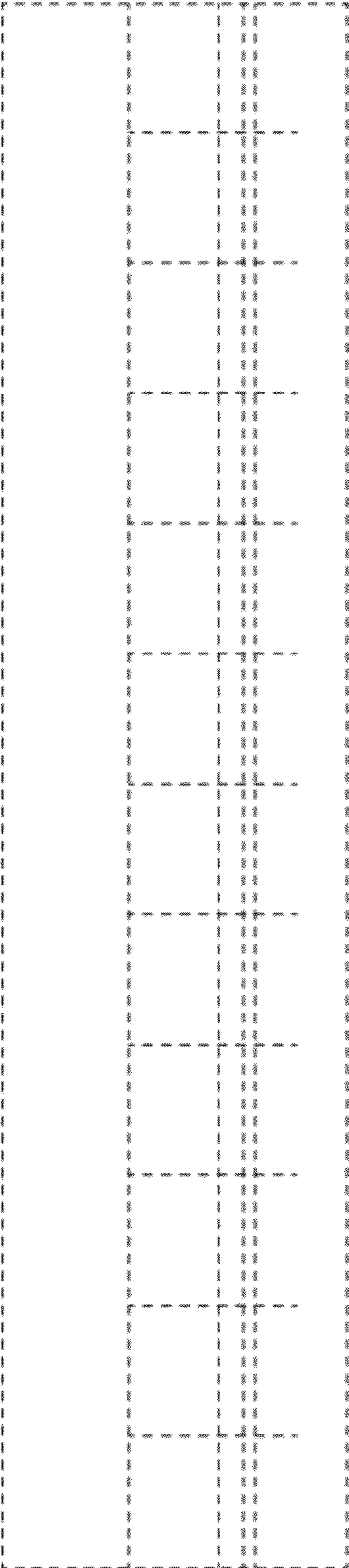


FIG. 5

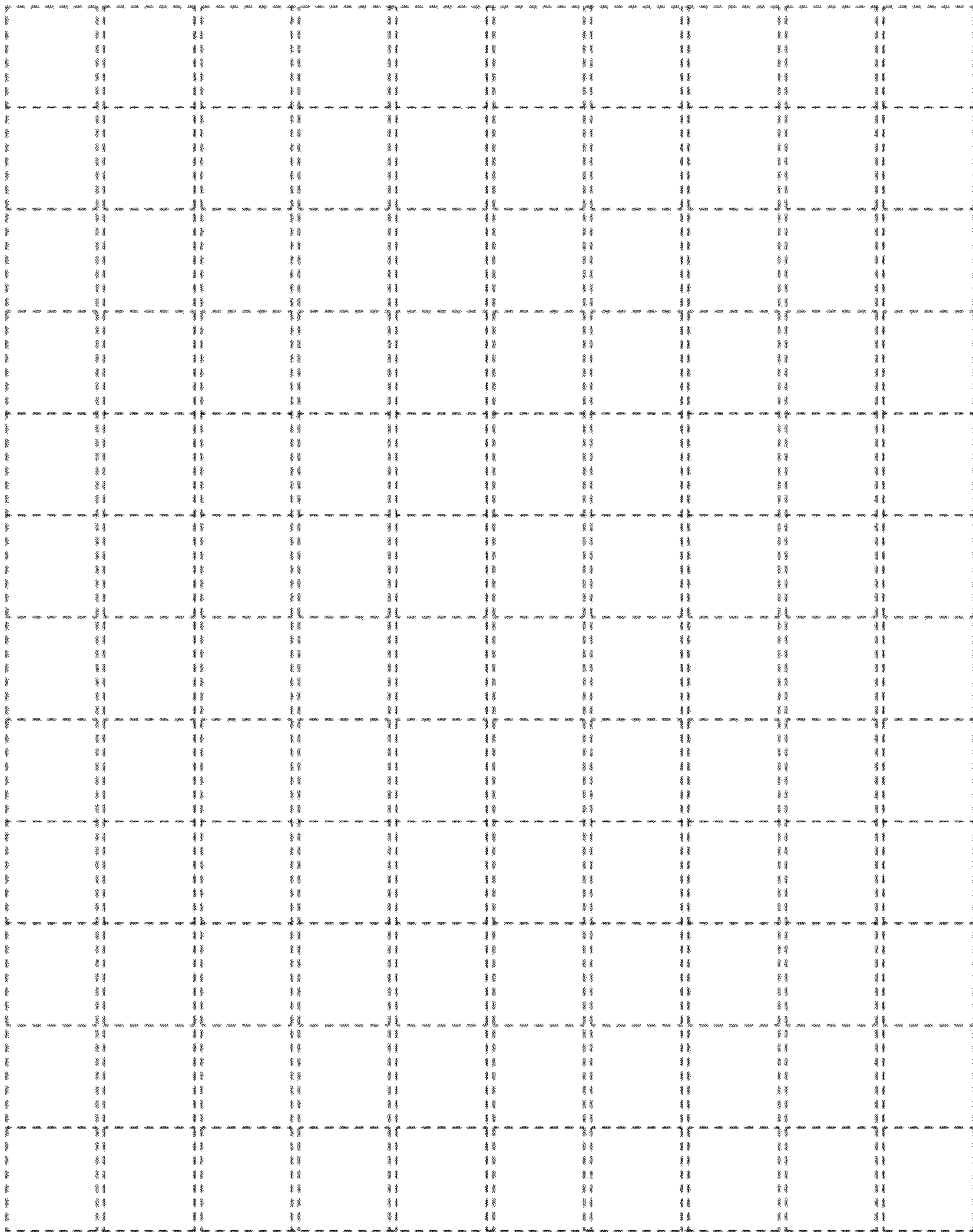


FIG. 6



FIG. 7