

US00D661151S

(12) **United States Design Patent**
Carter et al.

(10) **Patent No.:** **US D661,151 S**
(45) **Date of Patent:** **** Jun. 5, 2012**

(54) **MATTRESS COVER**

(76) Inventors: **Tonia Carter**, Cheyenne, WY (US);
Cameron Carter, Cheyenne, WY (US)

(**) Term: **14 Years**

(21) Appl. No.: **29/400,155**

(22) Filed: **Aug. 24, 2011**

2,343,260	A *	3/1944	Leader et al.	5/499
3,557,853	A *	1/1971	Jones	383/86
4,168,554	A *	9/1979	Hindes	5/722
5,642,540	A *	7/1997	Culver et al.	5/499
6,067,677	A *	5/2000	Reen et al.	5/499
6,634,042	B2 *	10/2003	Blossman	5/499
D510,813	S *	10/2005	Gilman	D4/199
D547,674	S *	7/2007	Donovan	D9/707
D578,385	S *	10/2008	Ancona	D9/423
2003/0021501	A1 *	1/2003	Blau	383/40
2003/0066133	A1 *	4/2003	Blossman	5/499
2010/0319126	A1 *	12/2010	Craib	5/490

* cited by examiner

Related U.S. Application Data

(63) Continuation of application No. 12/248,239, filed on Oct. 9, 2008.

(51) **LOC (9) Cl.** **06-09**

(52) **U.S. Cl.** **D6/595; D6/601; D6/602**

(58) **Field of Classification Search** D6/595,
D6/596, 601; 5/490, 491, 489, 922, 487,
5/498, 499, 501; D19/3; D9/702, 703, 705,
D9/707, 709, 423, 418, 734; D3/303, 269;
383/81, 84, 86, 93

See application file for complete search history.

(56) **References Cited**

U.S. PATENT DOCUMENTS

1,288,290	A *	12/1918	Thrasher	383/84
1,824,508	A *	9/1931	Shipman	383/86

Primary Examiner — Janice Seeger

(74) *Attorney, Agent, or Firm* — The Law Office of Jerry D. Haynes

(57) **CLAIM**

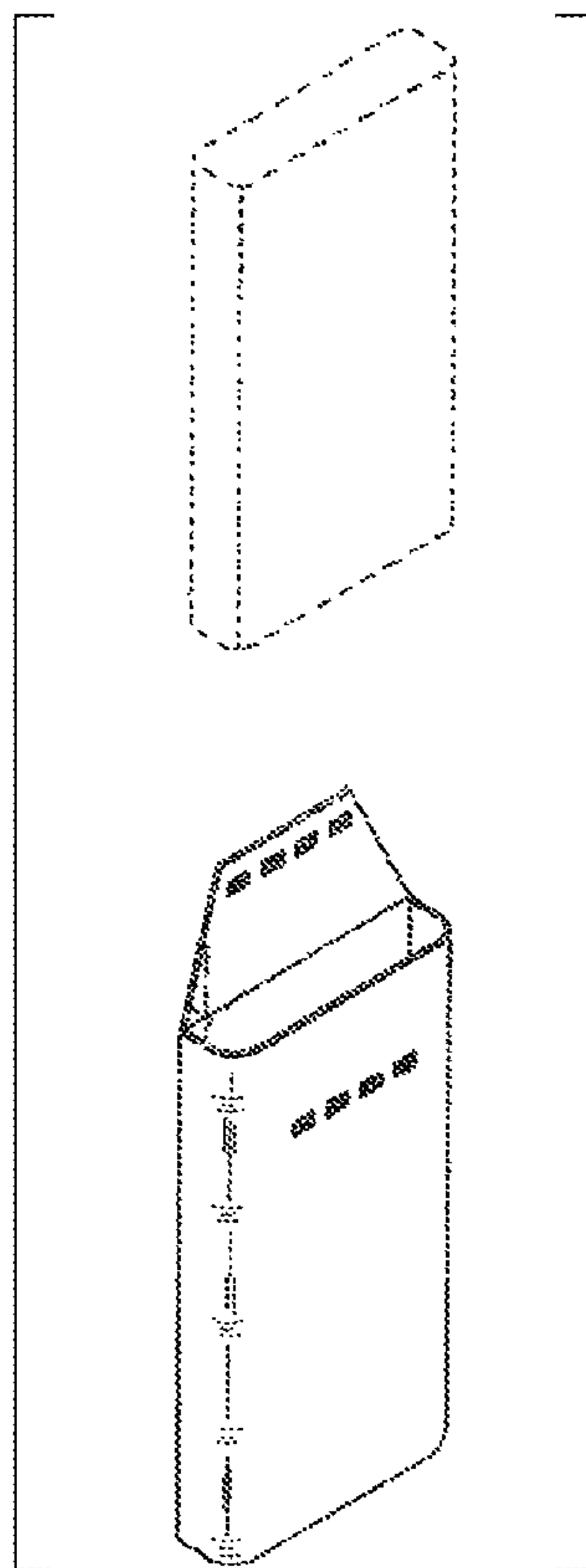
The ornamental design for a mattress cover, as shown.

DESCRIPTION

FIG. 1 is a perspective view of an open mattress cover according to the present invention; and,
FIG. 2 is a perspective view of a closed mattress cover according to the present invention.

The broken lines are for environmental purposes only and form no part of the claimed design.

1 Claim, 2 Drawing Sheets



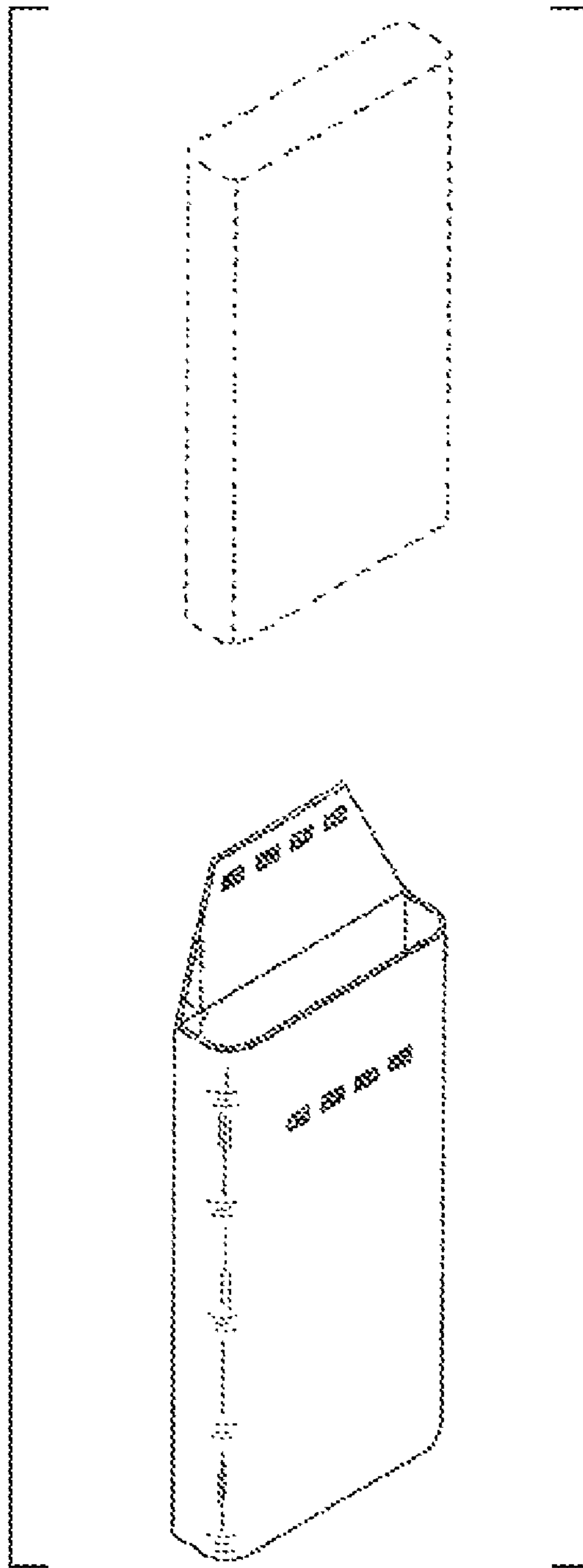


FIG. 1

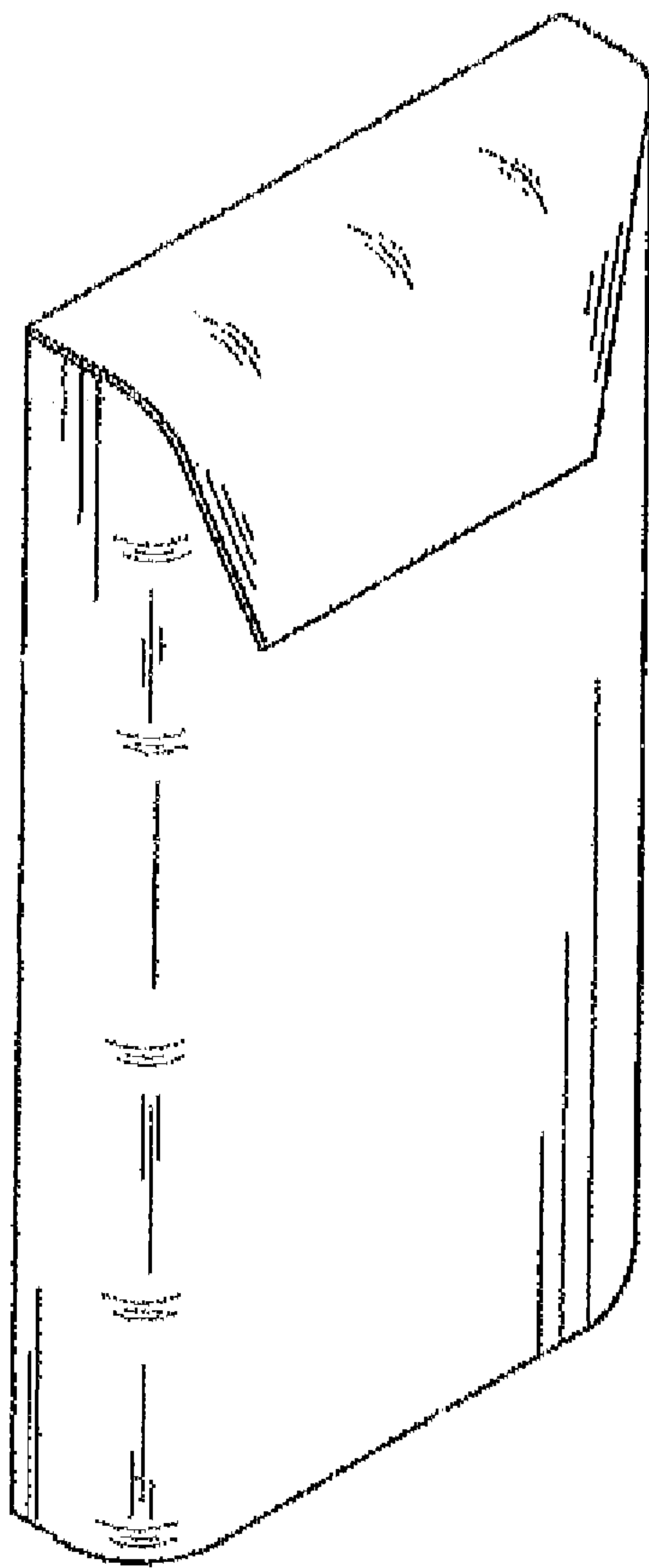


FIG. 2