

US00D661150S

(12) **United States Design Patent**
Cardenas

(10) **Patent No.:** **US D661,150 S**
(45) **Date of Patent:** **** Jun. 5, 2012**

(54) **FOLDABLY DEPLOYABLE FIREARM DISPLAY RACK**

(76) Inventor: **John Cardenas**, Arcadia, CA (US)

(**) Term: **14 Years**

(21) Appl. No.: **29/412,346**

(22) Filed: **Feb. 1, 2012**

(51) **LOC (9) Cl.** **08-08**

(52) **U.S. Cl.** **D6/552**

(58) **Field of Classification Search** D6/552;
D21/573; 248/96; 211/13.1, 64; 224/483,
224/539, 566, 568, 571; 280/13, 652
See application file for complete search history.

(56) **References Cited**

U.S. PATENT DOCUMENTS

D381,852 S *	8/1997	Cardenas	D6/552
D498,962 S *	11/2004	Moon et al.	D6/552
D599,601 S *	9/2009	Mallen	D6/552
D622,086 S *	8/2010	Leung	D6/552
D630,875 S *	1/2011	Leung	D6/552

OTHER PUBLICATIONS

Photograph (1) of prior structure (undated).

* cited by examiner

Primary Examiner — Brian N Vinson

(74) *Attorney, Agent, or Firm* — Curtis L. Harrington;
Harrington & Harrington

(57) **CLAIM**

The ornamental design for a foldably deployable firearm display rack, as shown and described.

DESCRIPTION

FIG. 1 is a perspective view of the foldably deployable firearm display rack, shown in folded position with securing clip in locked position;
FIG. 2 is a perspective view as in FIG. 1 but in a position partially deployed;
FIG. 3 is a perspective view as in FIGS. 1 and 2 but in a fully deployed position;
FIG. 4 is a front plan view;
FIG. 5 is a rear plan view;
FIG. 6 is a left side view;
FIG. 7 is a right side view;
FIG. 8 is a top view; and,
FIG. 9 is a bottom view.

The broken lines showing a firearm in resting position form no part of the claimed design.

1 Claim, 8 Drawing Sheets

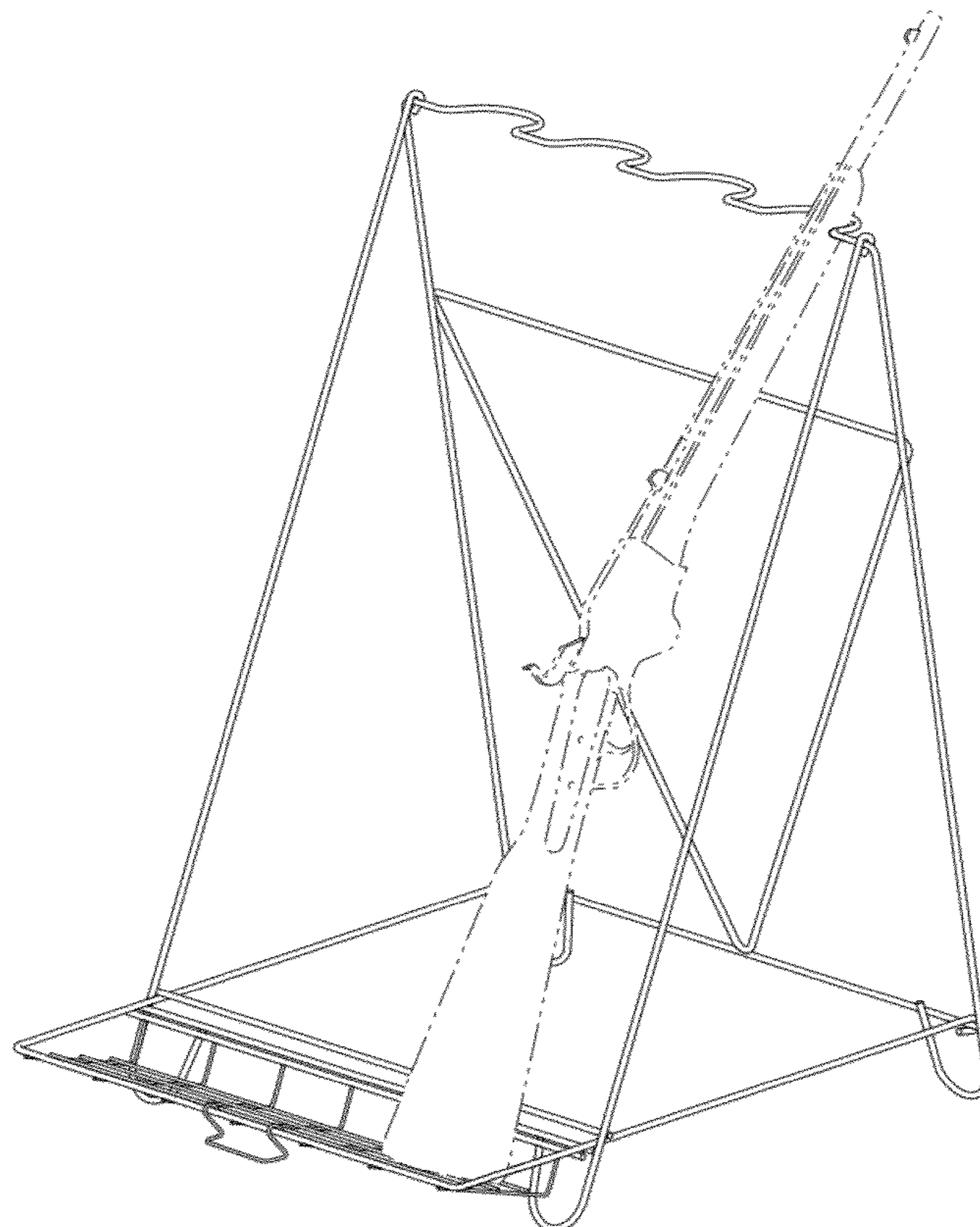


FIG. 1

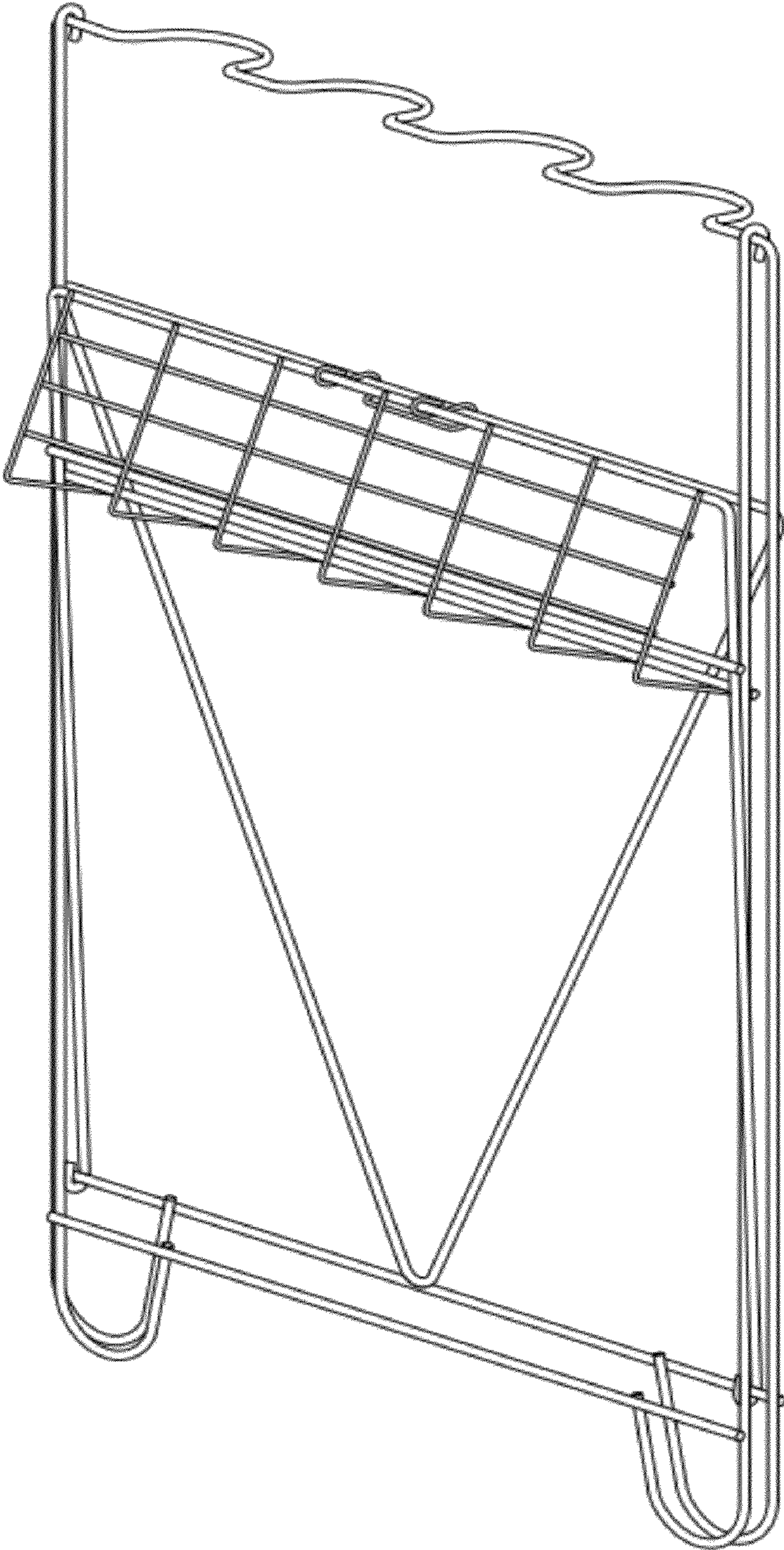


FIG. 2

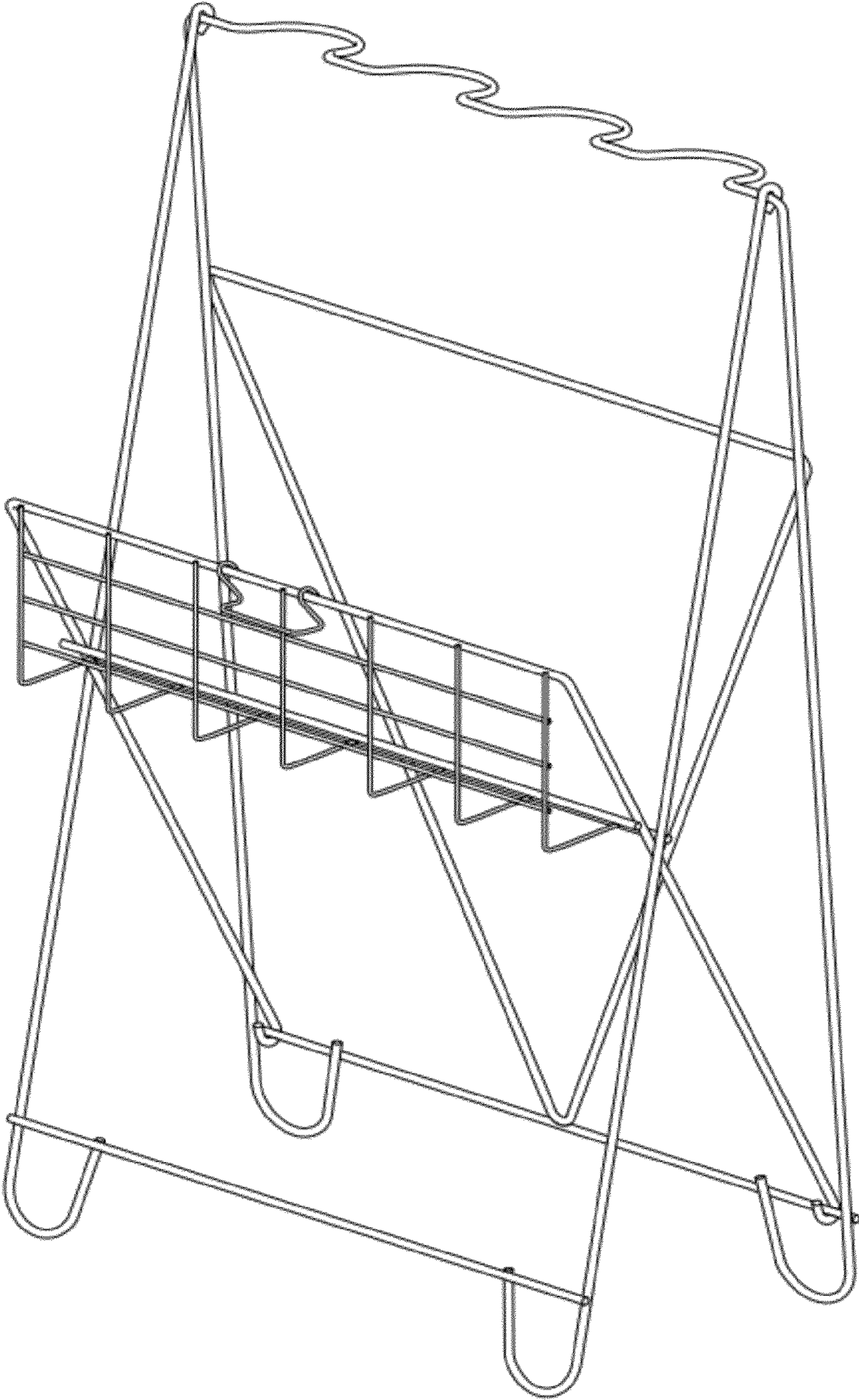


FIG. 3

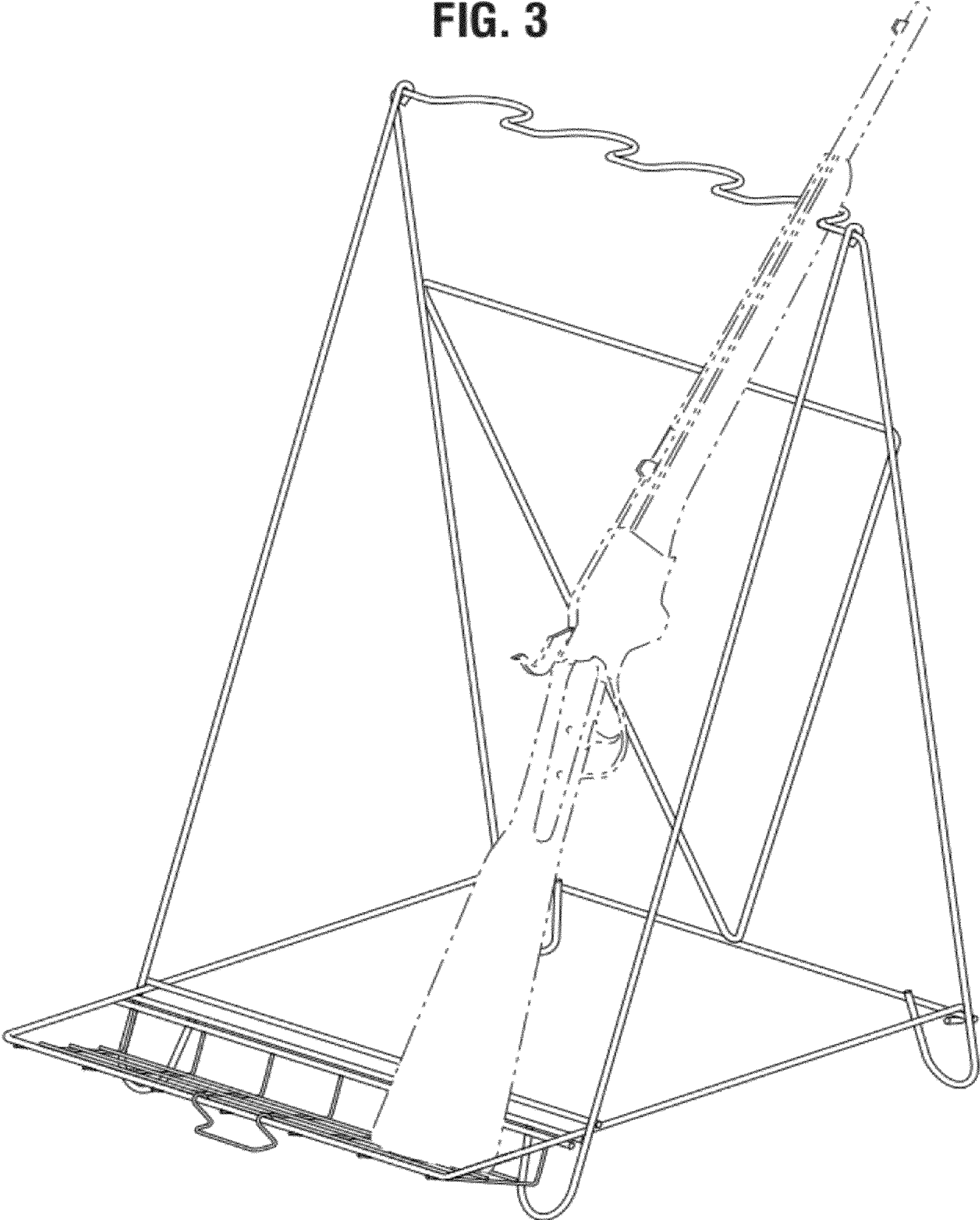


FIG. 4

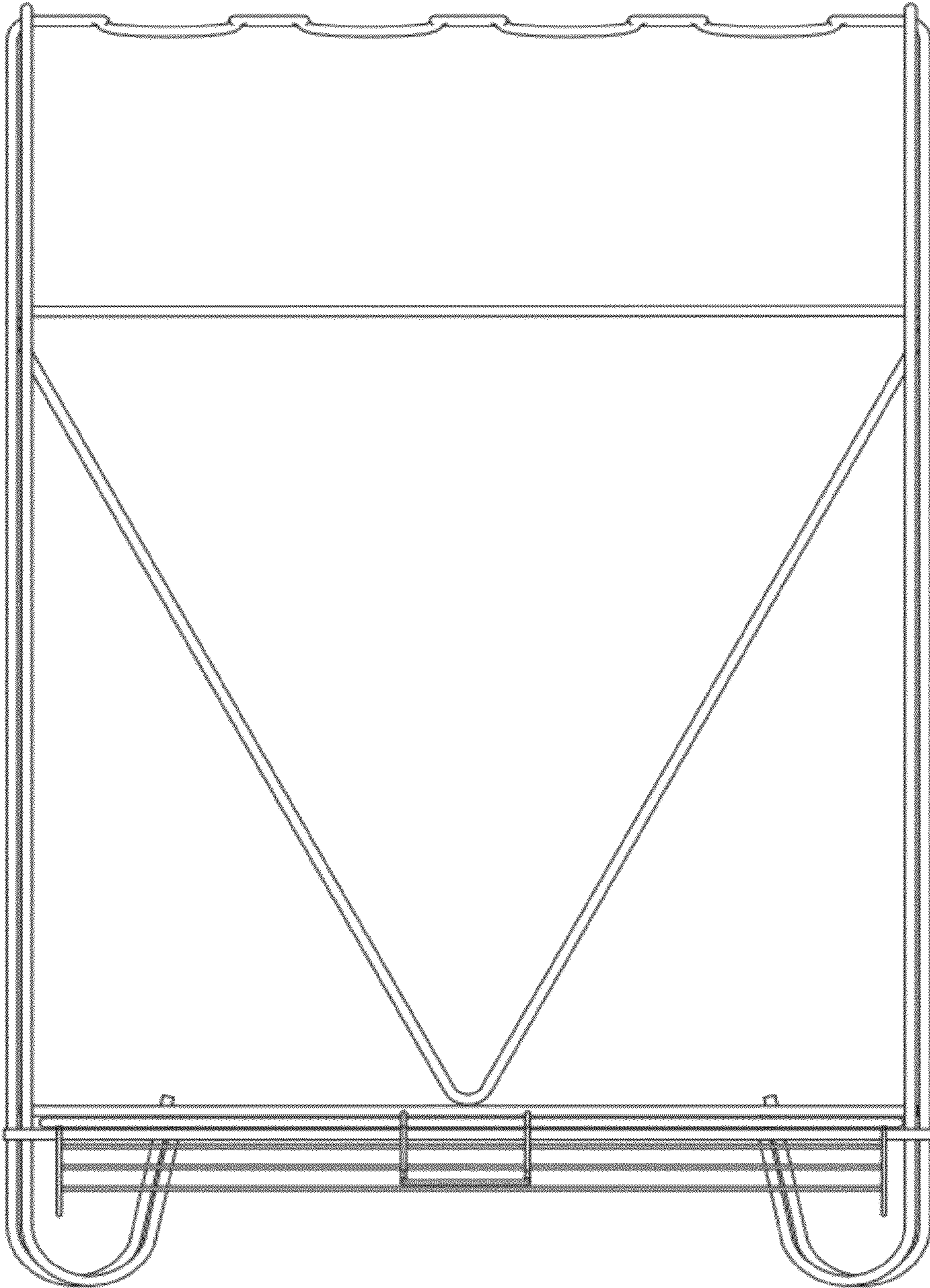


FIG. 5

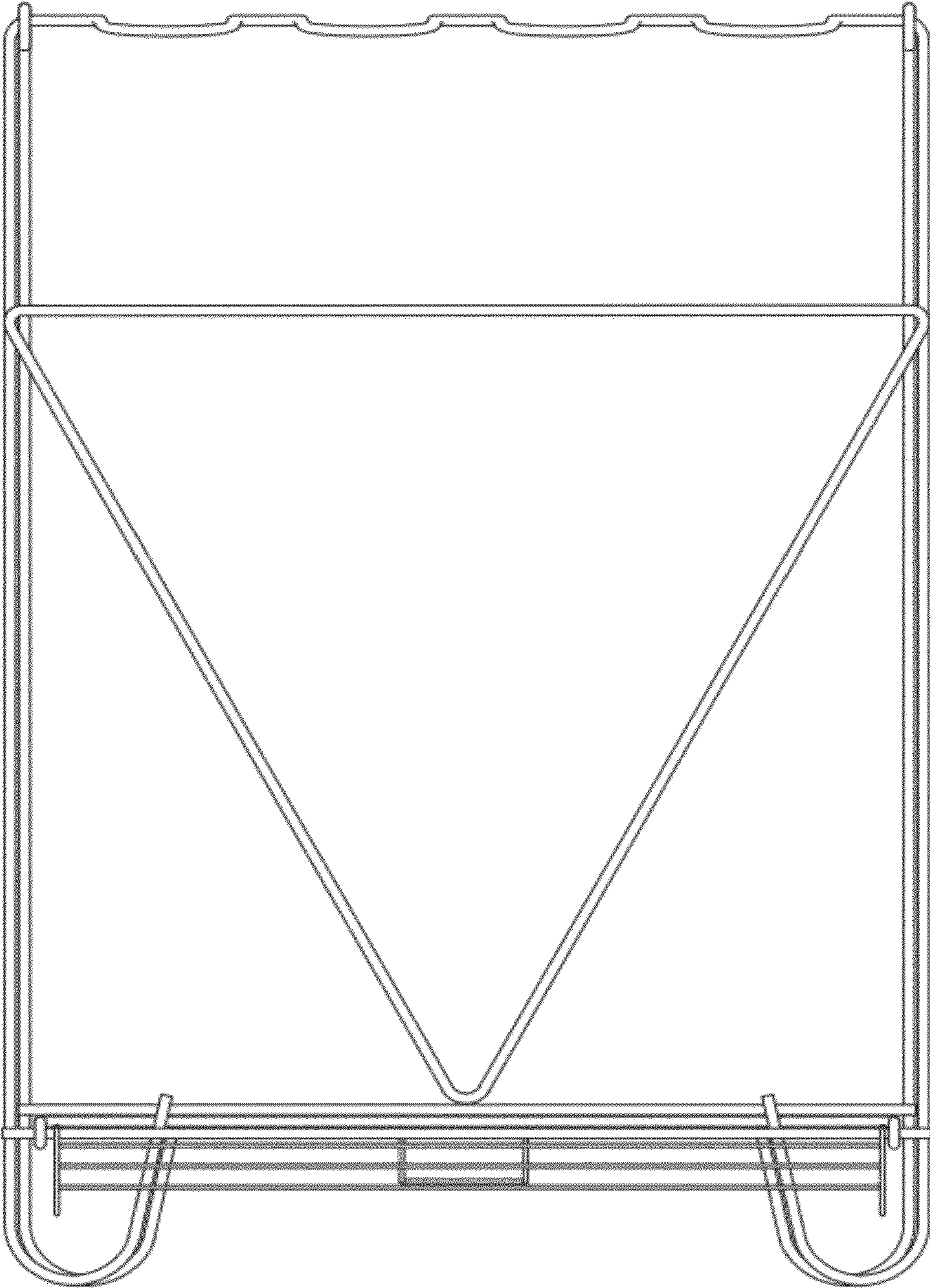


FIG. 6

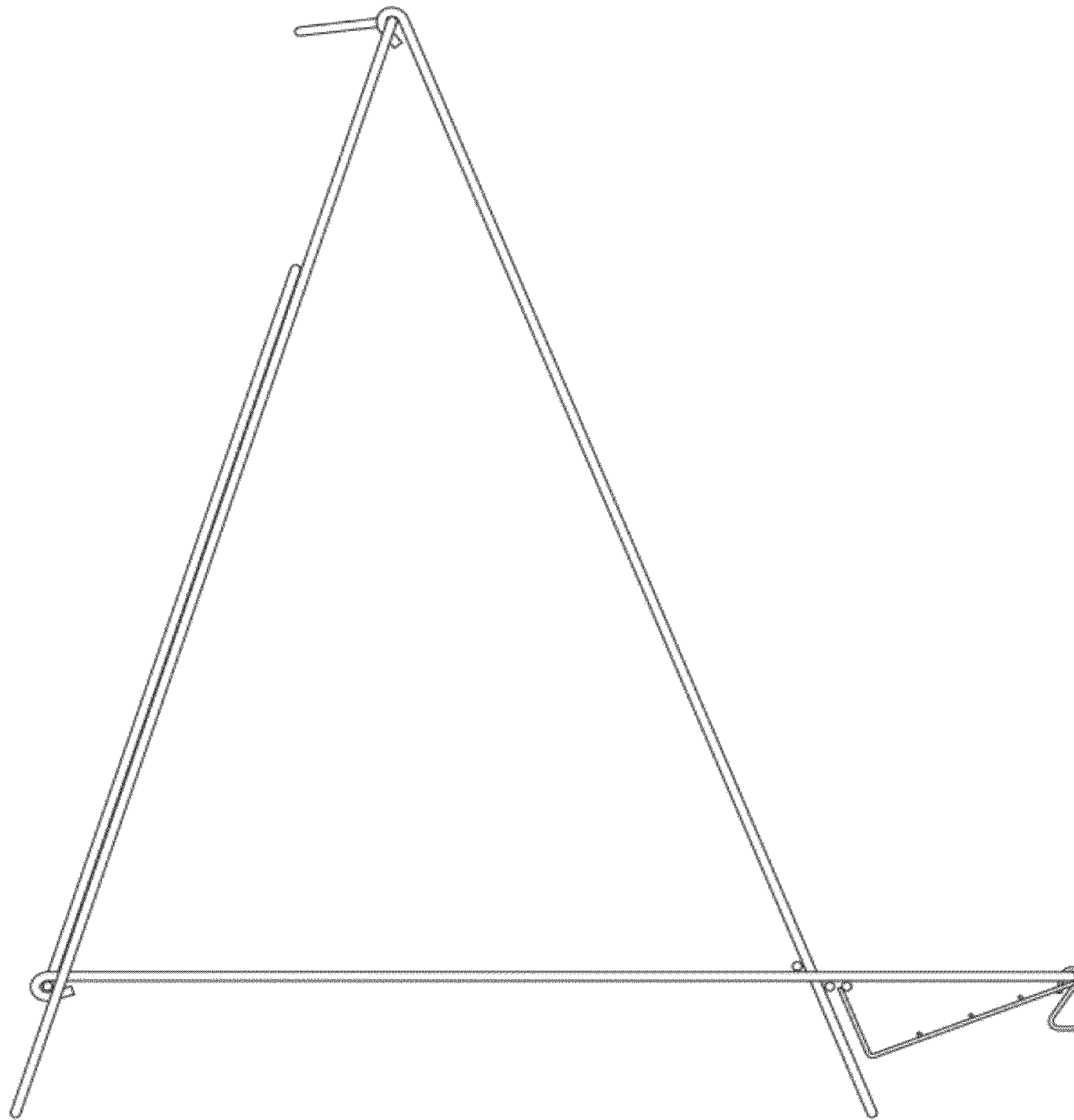


FIG. 7

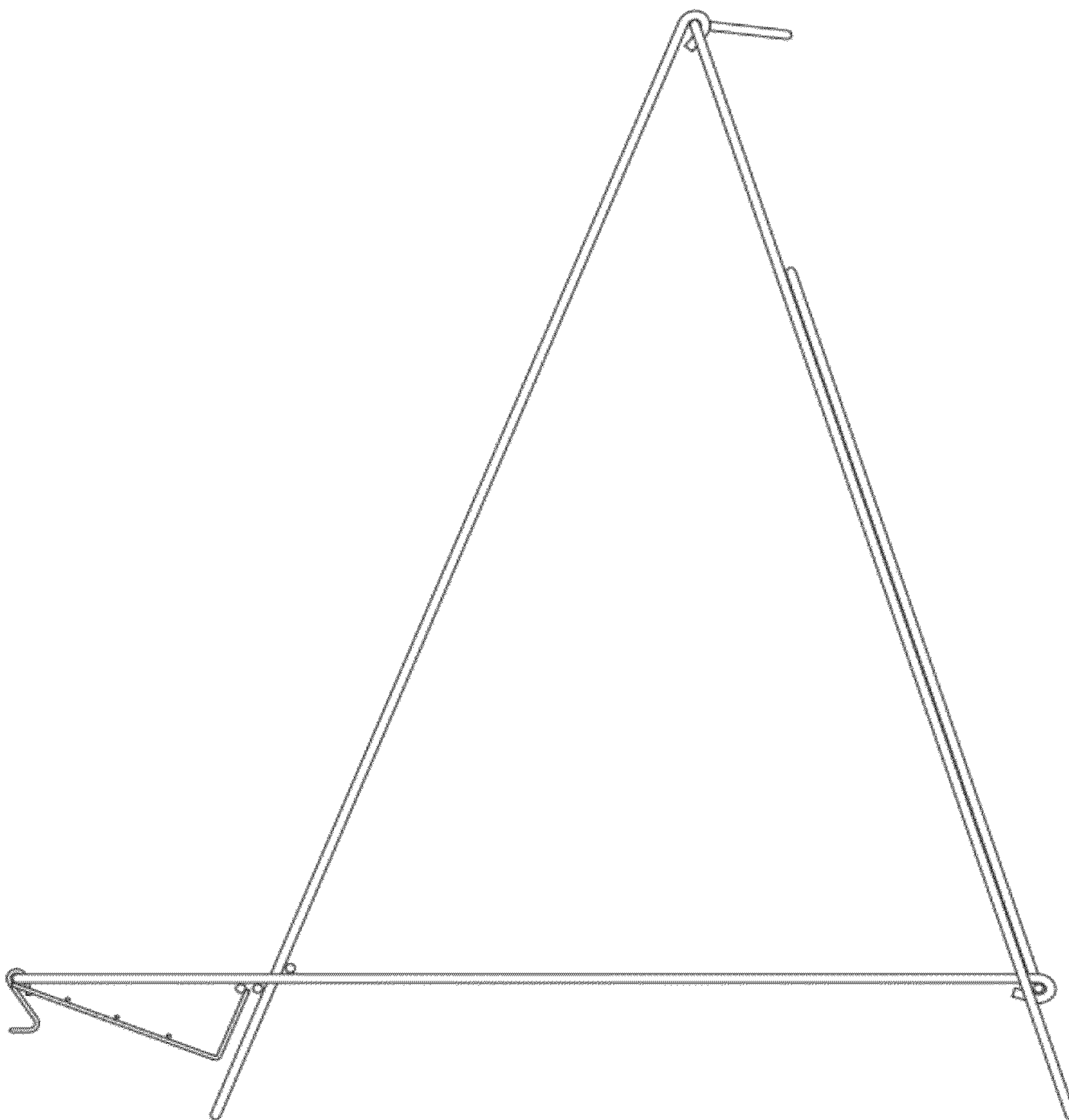


FIG. 9

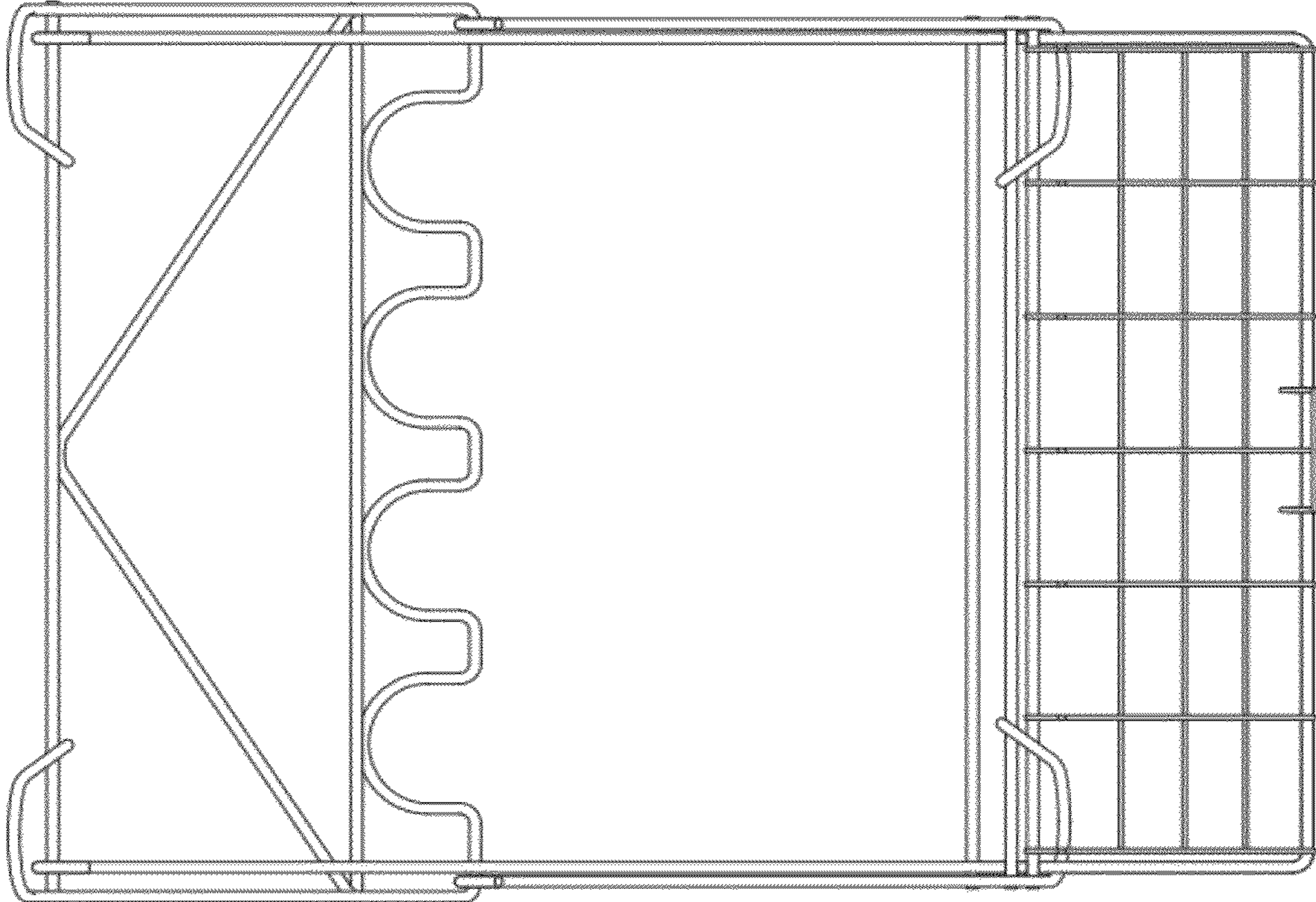


FIG. 8

