

US00D661149S

(12) **United States Design Patent**  
**Yang et al.**

(10) **Patent No.:** **US D661,149 S**  
(45) **Date of Patent:** **\*\* Jun. 5, 2012**

(54) **PUSH PUMP**

(75) Inventors: **Frank Yang**, Rancho Palos Verdes, CA (US); **Tzu-Hao Wei**, Hacienda Heights, CA (US); **Di-Fong Chang**, Torrance, CA (US); **Myk Lum**, Irvine, CA (US); **Adam Wade**, Rancho Santa Margarita, CA (US)

(73) Assignee: **Simplehuman LLC**, Torrance, CA (US)

(\*\*) Term: **14 Years**

(21) Appl. No.: **29/386,863**

(22) Filed: **Mar. 4, 2011**

(51) **LOC (9) Cl.** ..... **23-02**

(52) **U.S. Cl.** ..... **D6/542**

(58) **Field of Classification Search** ..... D6/542-545;  
221/281-282; 222/14, 173, 146.3, 628, 251,  
222/181.1, 181.3; D9/682, 688, 690, 691,  
D9/448, 449

See application file for complete search history.

(56) **References Cited**

U.S. PATENT DOCUMENTS

D477,990 S \* 8/2003 Dretzka ..... D6/542  
D477,991 S \* 8/2003 Dretzka ..... D6/542

D484,401 S \* 12/2003 Dretzka ..... D6/542  
D530,954 S \* 10/2006 Snell ..... D6/542  
D537,360 S \* 2/2007 Snell ..... D6/542  
D537,361 S \* 2/2007 Dretzka ..... D6/542  
D538,177 S \* 3/2007 Dretzka ..... D6/542  
D551,087 S \* 9/2007 Snell ..... D6/542  
D554,410 S \* 11/2007 Snell ..... D6/542  
D581,193 S \* 11/2008 Ghiorghie ..... D6/542  
D625,944 S 10/2010 Yang et al.

\* cited by examiner

*Primary Examiner* — Brian N Vinson

(74) *Attorney, Agent, or Firm* — Liu & Liu

(57) **CLAIM**

The ornamental design for a push pump, as shown and described.

**DESCRIPTION**

FIG. 1 is a right perspective view of a push pump showing our new design;

FIG. 2 is a front view thereof;

FIG. 3 is a rear view thereof;

FIG. 4 is a left side view thereof (right side view is a mirror image thereof);

FIG. 5 is a top plan view thereof; and,

FIG. 6 is a bottom plan view thereof.

**1 Claim, 6 Drawing Sheets**

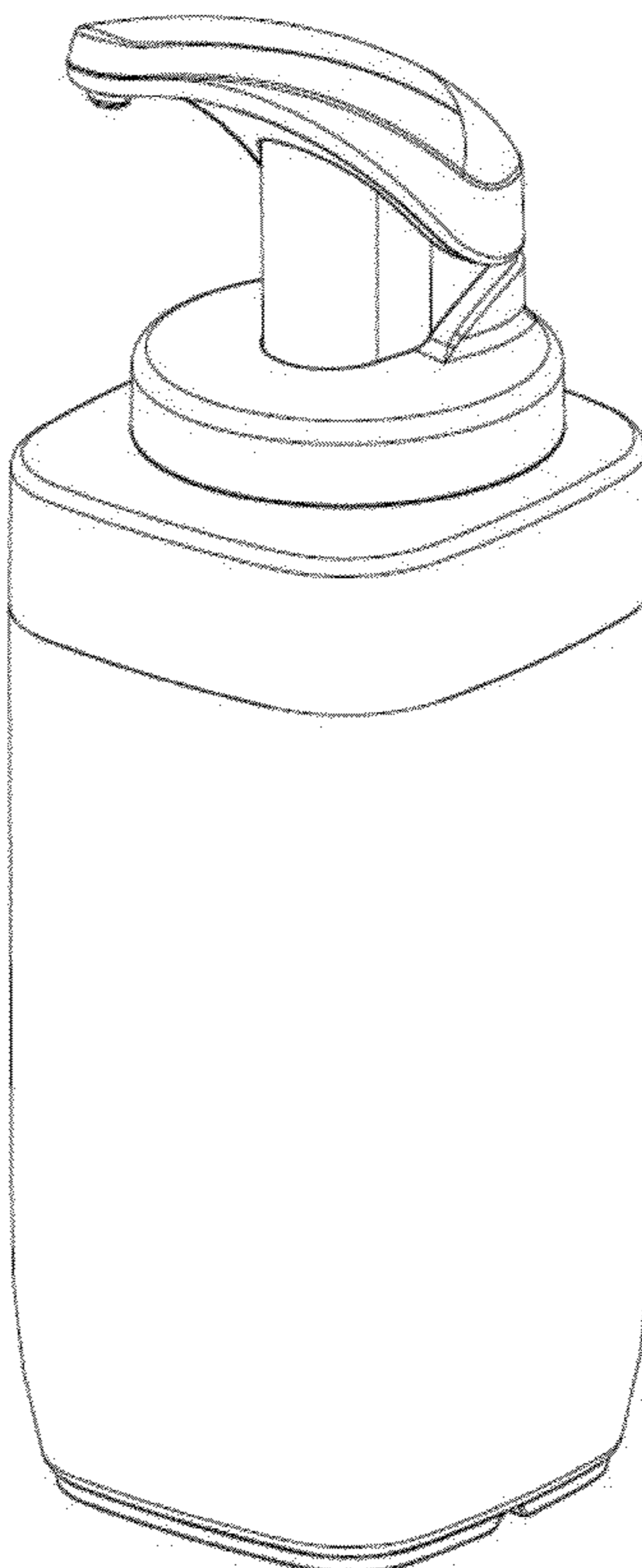


FIG. 1

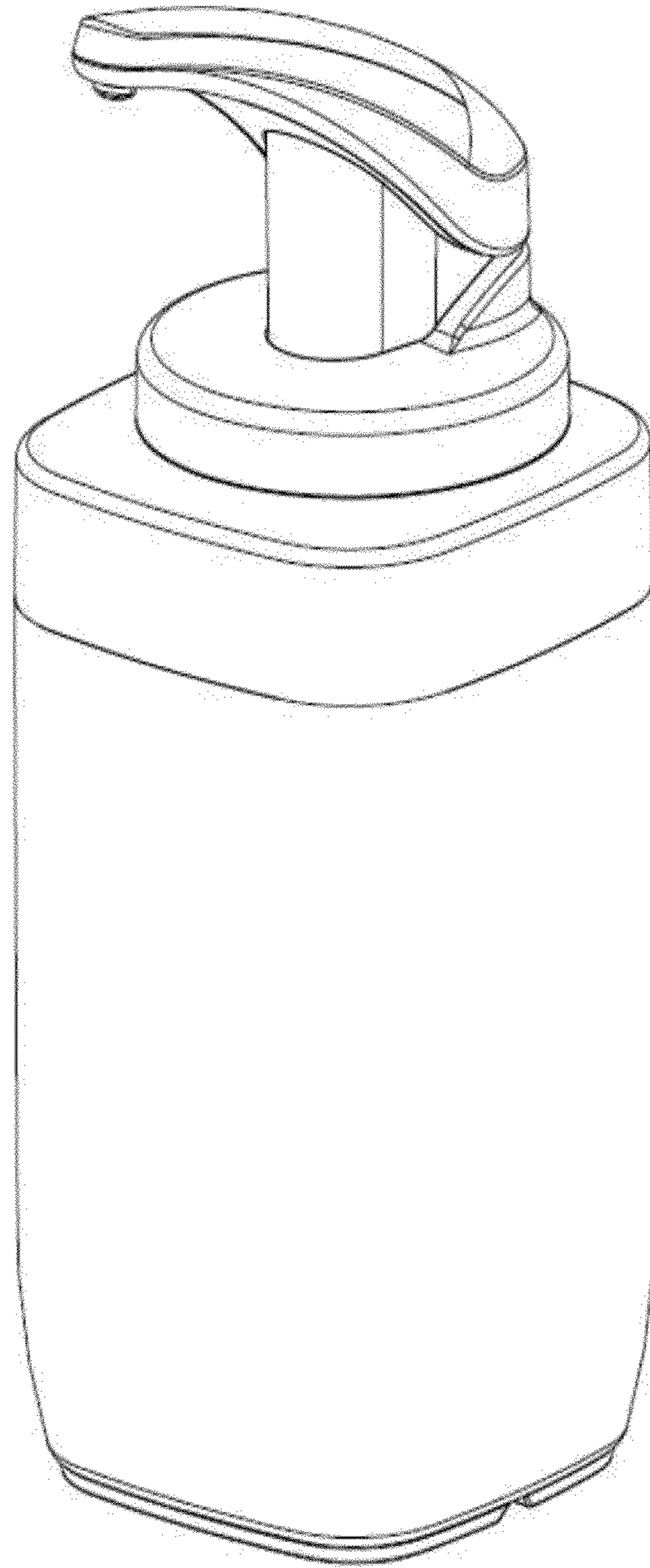


FIG. 2

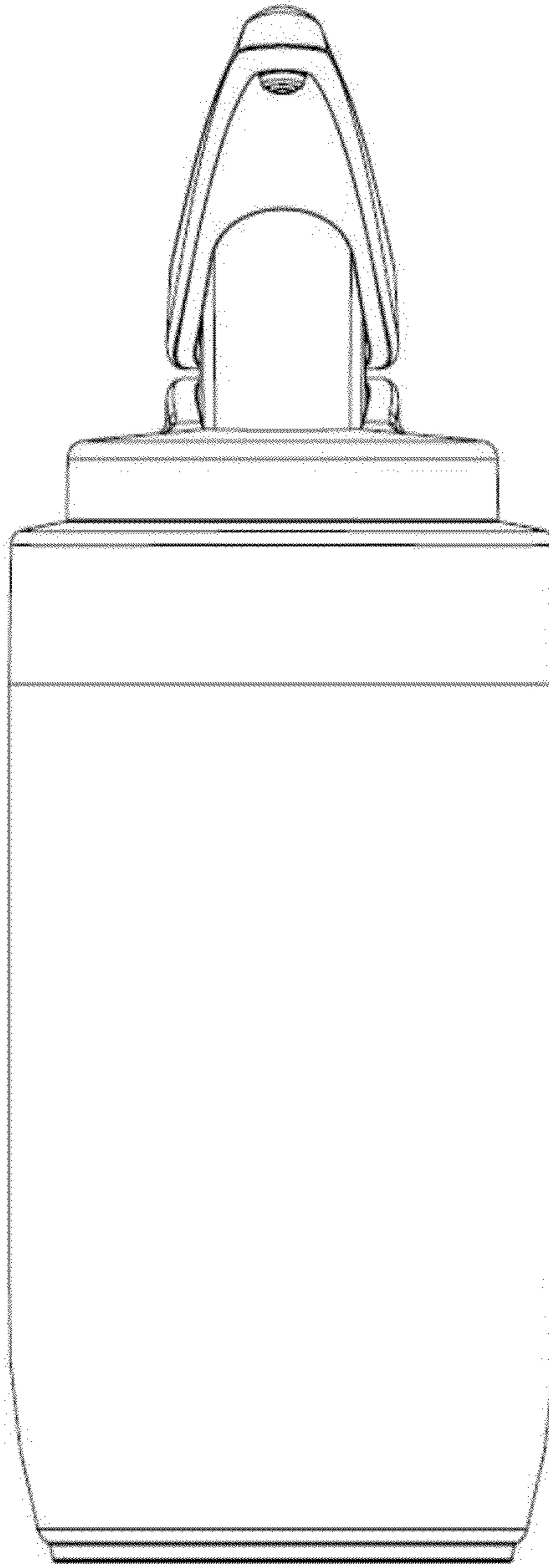


FIG. 3

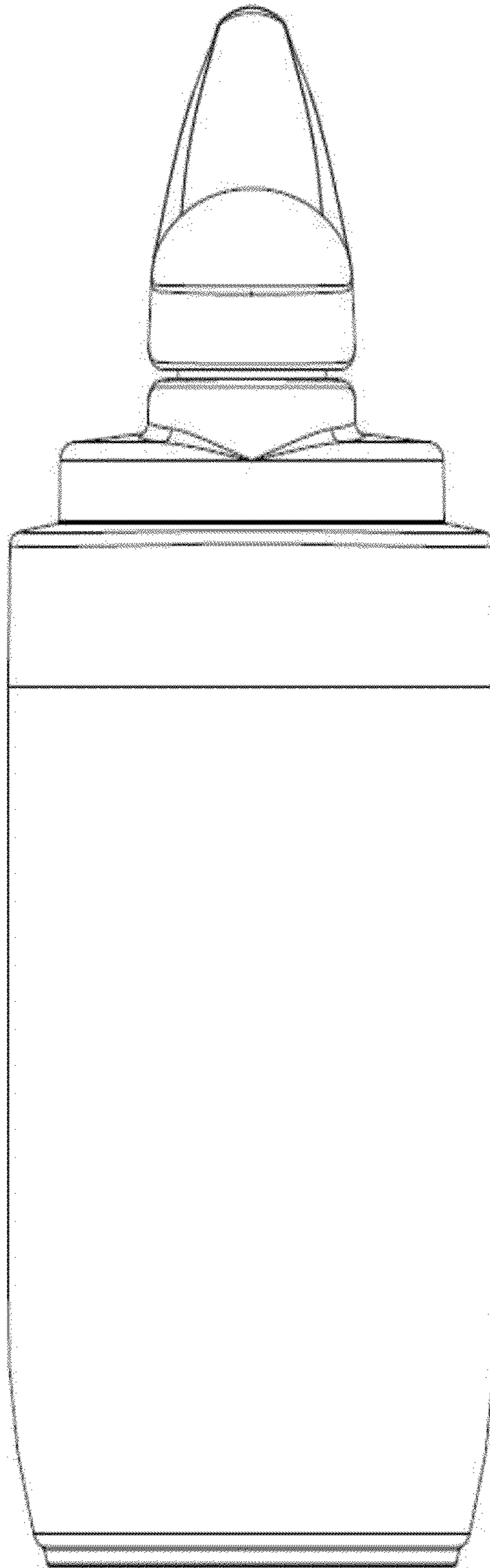
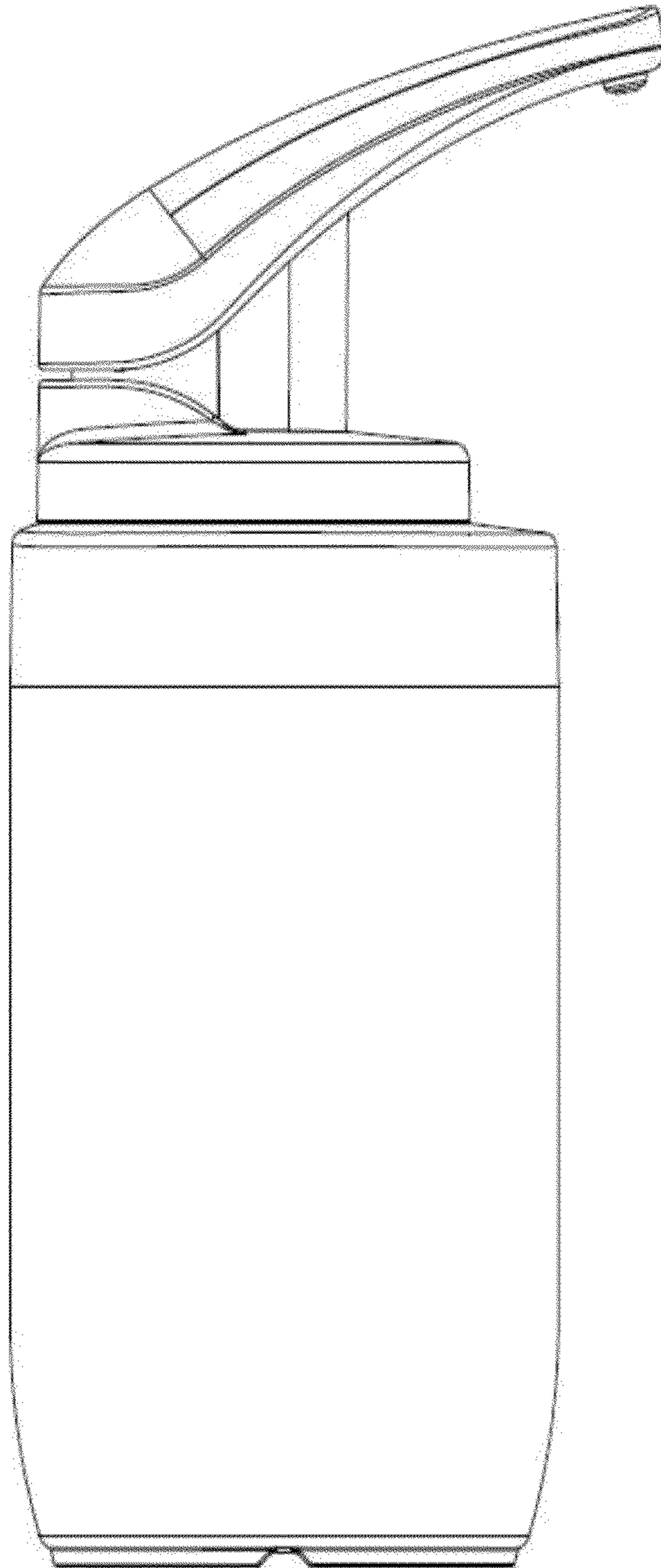
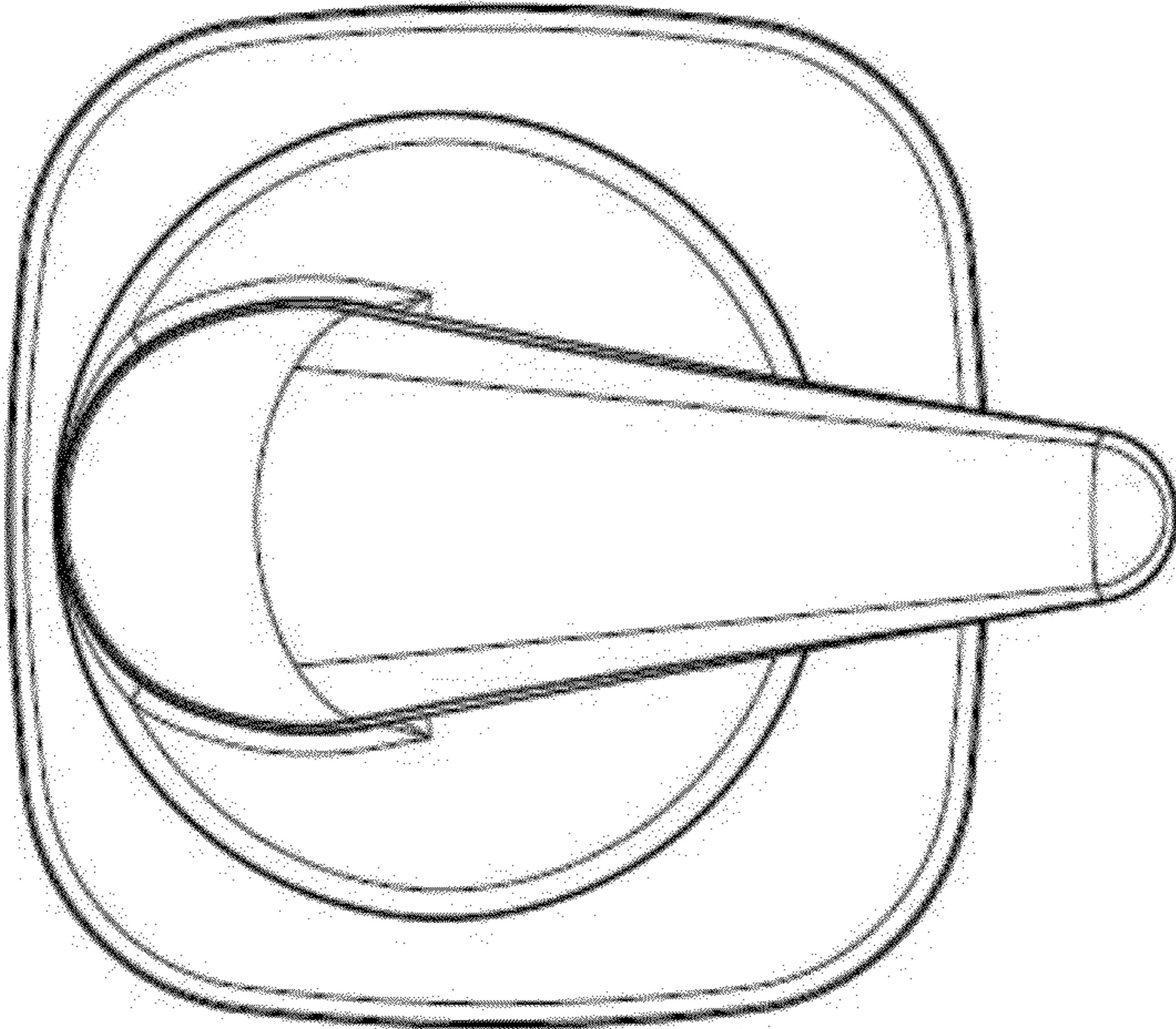


FIG. 4





**FIG. 5**

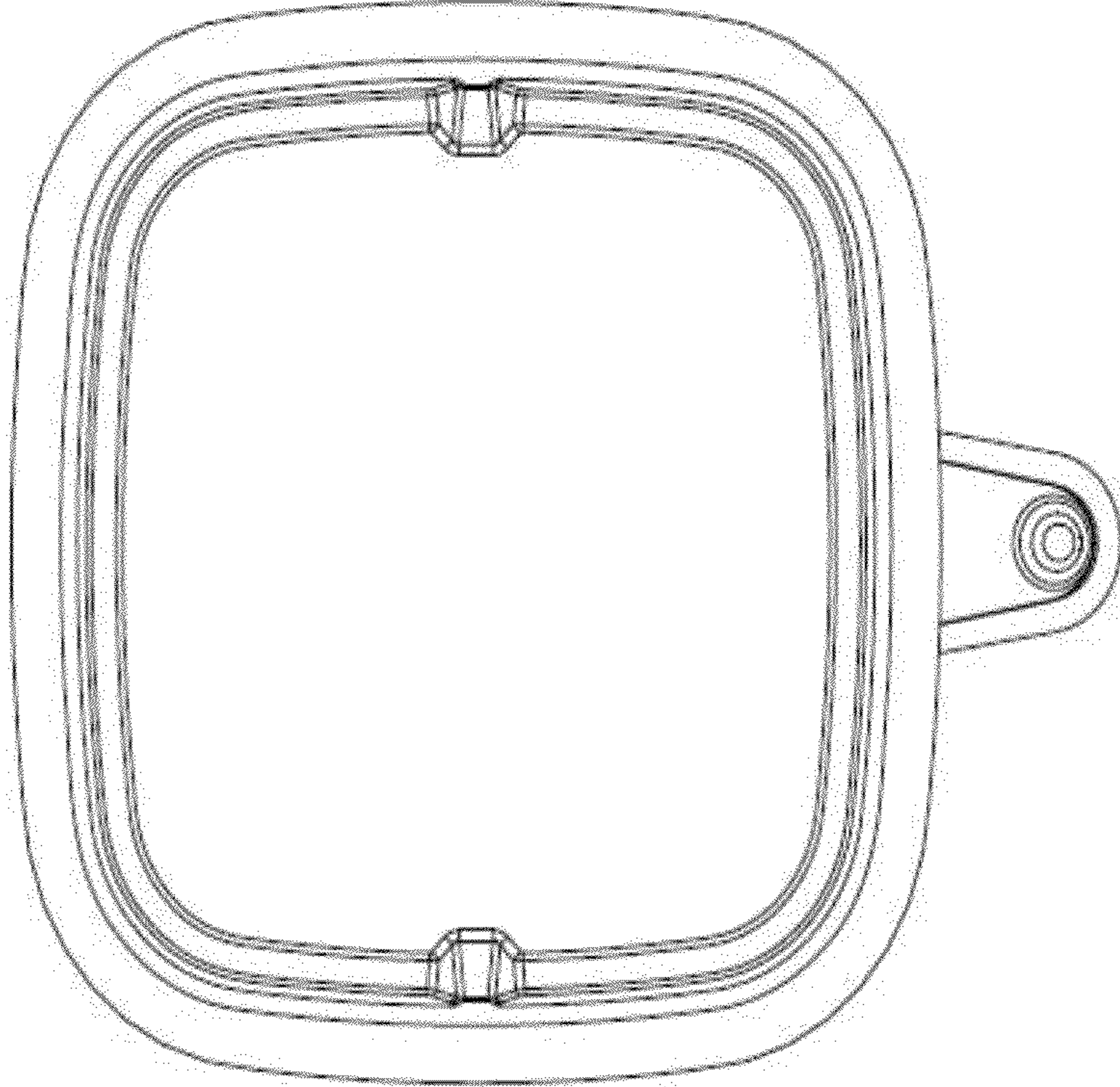


FIG. 6