

US00D661147S

(12) **United States Design Patent**
Tran

(10) **Patent No.:** **US D661,147 S**
(45) **Date of Patent:** **** Jun. 5, 2012**

(54) **HOLDER WITH FLUID DRAINAGE FOR TOOTHBRUSHES AND OTHER DENTAL CARE ITEMS**

D648,165 S * 11/2011 Michnuk D6/534
2004/0060829 A1 4/2004 Oldenkamp
2006/0048791 A1 3/2006 Mehes et al.

* cited by examiner

(76) Inventor: **Truyen Than Tran**, Anaheim, CA (US)

Primary Examiner — Brian N Vinson

(**) Term: **14 Years**

(74) *Attorney, Agent, or Firm* — Morland C. Fischer

(21) Appl. No.: **29/373,414**

(57) **CLAIM**

(22) Filed: **Apr. 7, 2011**

The ornamental design for a holder with fluid drainage for toothbrushes and other dental care items, as shown and described.

(51) **LOC (9) Cl.** **23-02**

(52) **U.S. Cl.** **D6/534; D6/528**

(58) **Field of Classification Search** D6/524,
D6/526, 527, 528, 534; 206/208, 228, 209,
206/209.1, 361, 362, 362.1, 362.2, 362.3;
211/13.1, 66, 70.6, 86.01, 87.01; D7/701,
D7/635, 637

See application file for complete search history.

DESCRIPTION

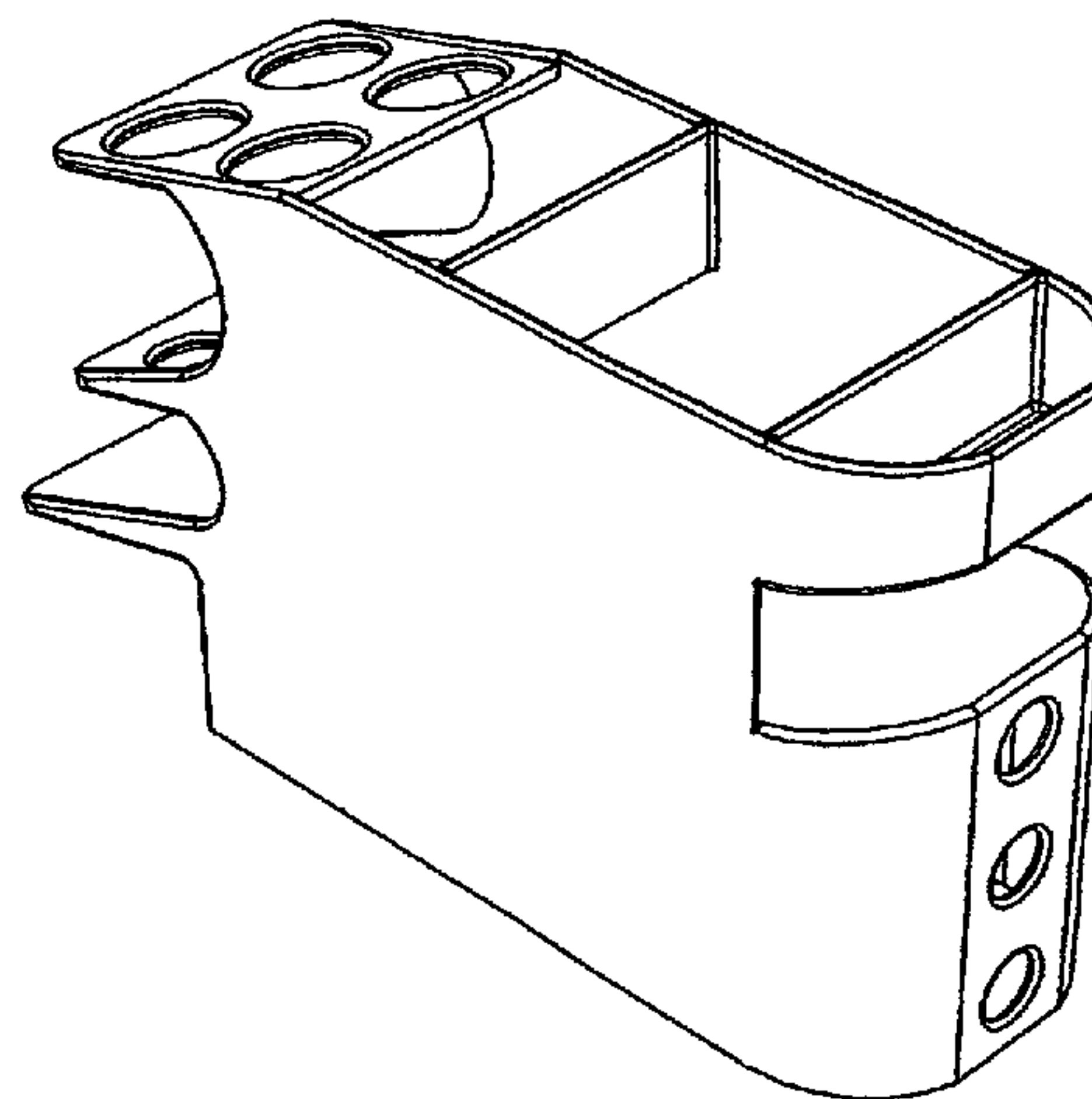
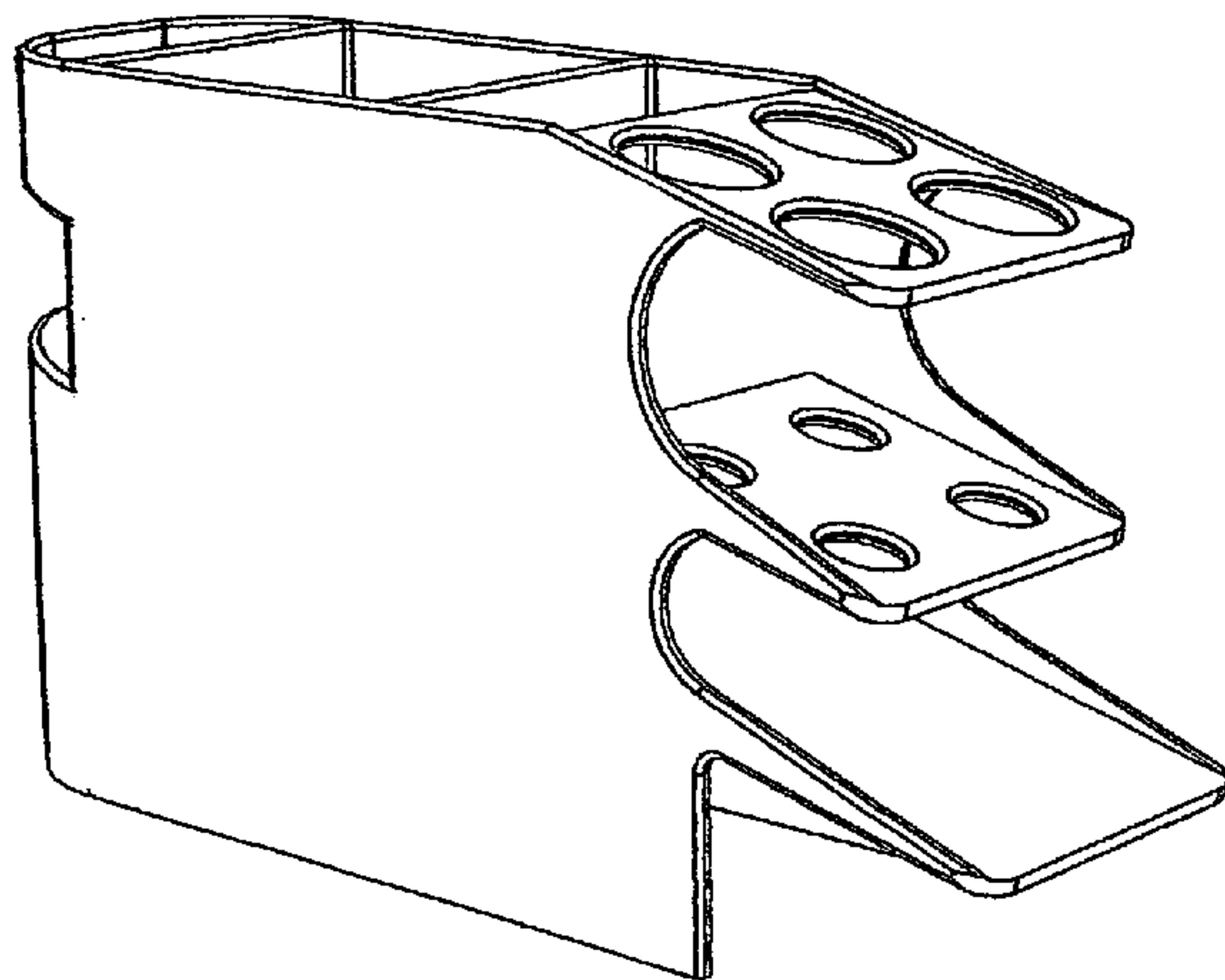
(56) **References Cited**

U.S. PATENT DOCUMENTS

D278,777 S * 5/1985 Martin D6/534
5,033,617 A 7/1991 Hartwein et al.
D567,558 S * 4/2008 Rubin D6/534
D608,577 S * 1/2010 Racanelli D6/534
D639,095 S * 6/2011 Kraemer D6/534

FIG. 1 is a perspective view showing the top, left side and rear of a holder with fluid drainage for toothbrushes and other dental care items which forms my new design;
FIG. 2 is a front elevational view thereof;
FIG. 3 is a rear elevational view thereof;
FIG. 4 is a bottom plan view thereof;
FIG. 5 is a top plan view thereof;
FIG. 6 is a right side elevational view thereof;
FIG. 7 is a left side elevational view thereof; and,
FIG. 8 is a perspective view showing the top, right side and front thereof.

1 Claim, 4 Drawing Sheets



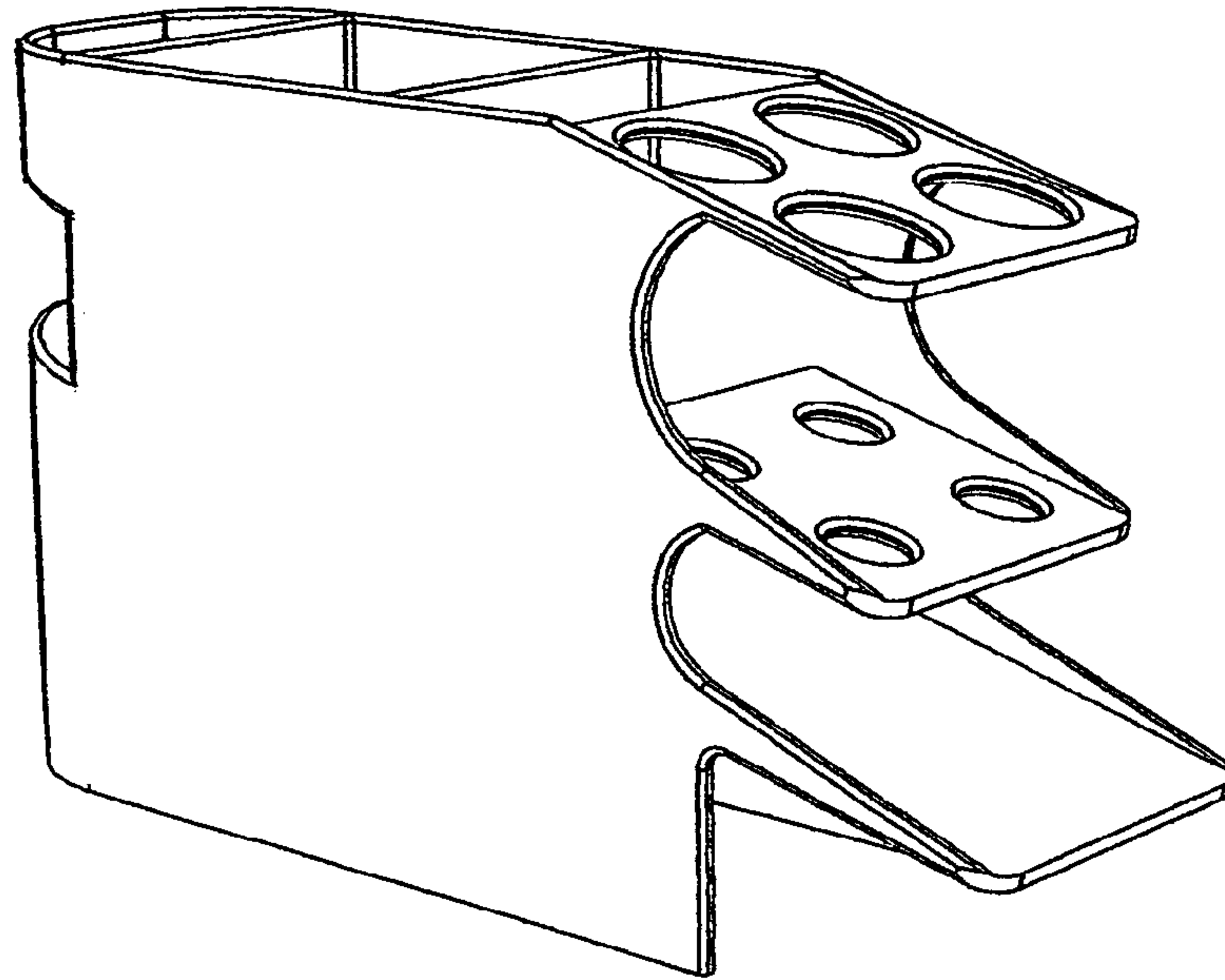


Fig. 1

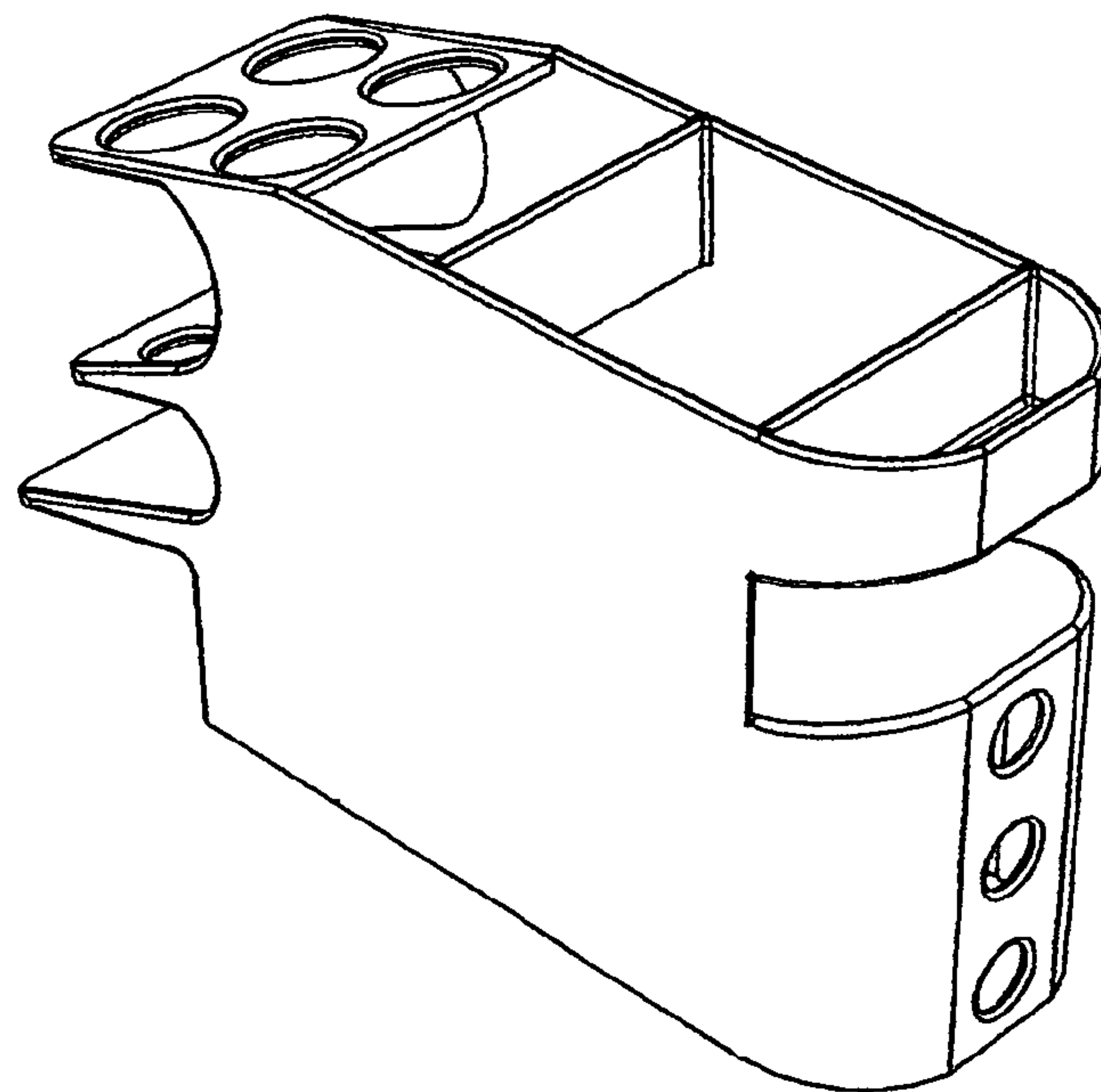


Fig. 8

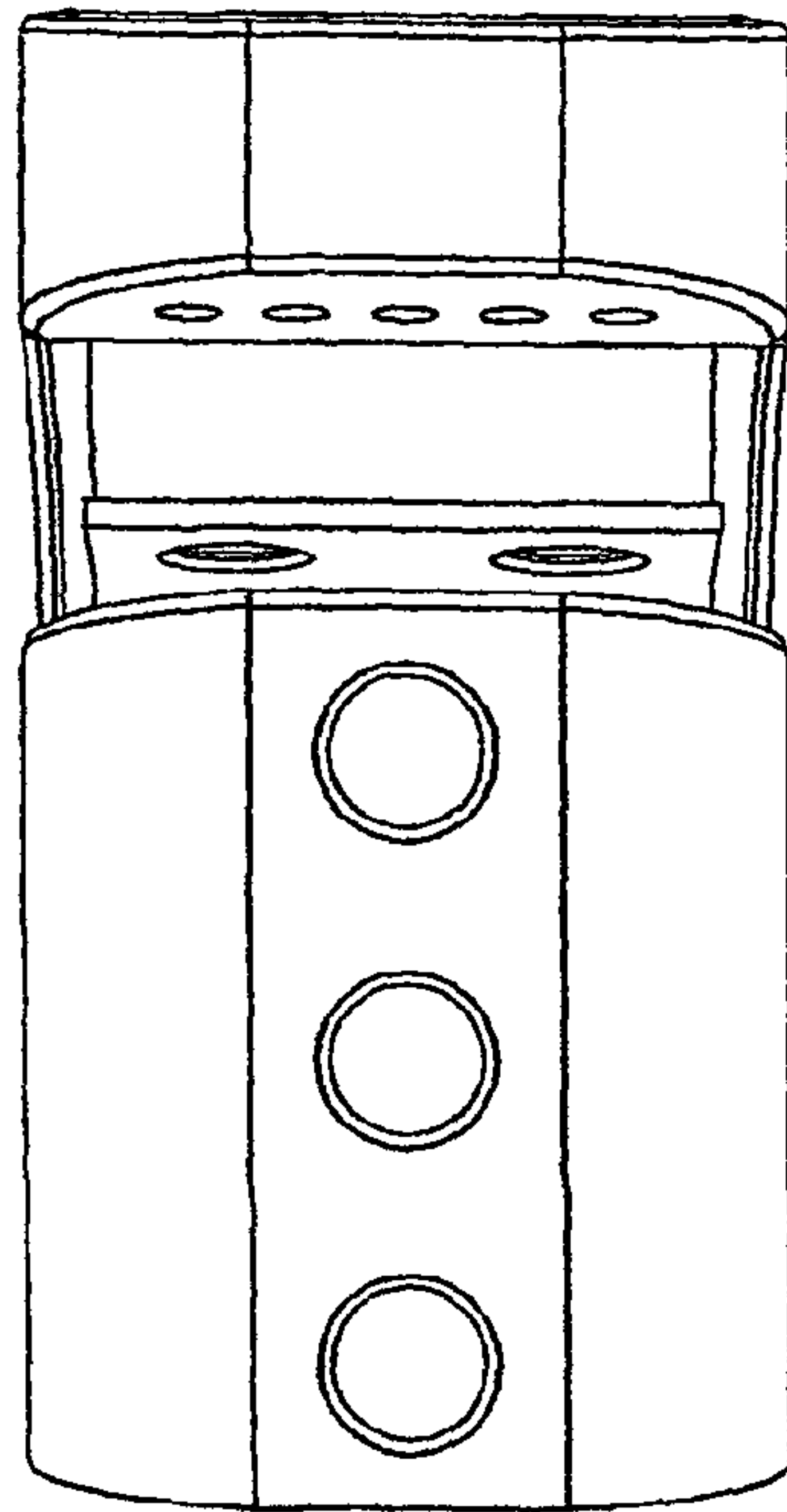


Fig. 2

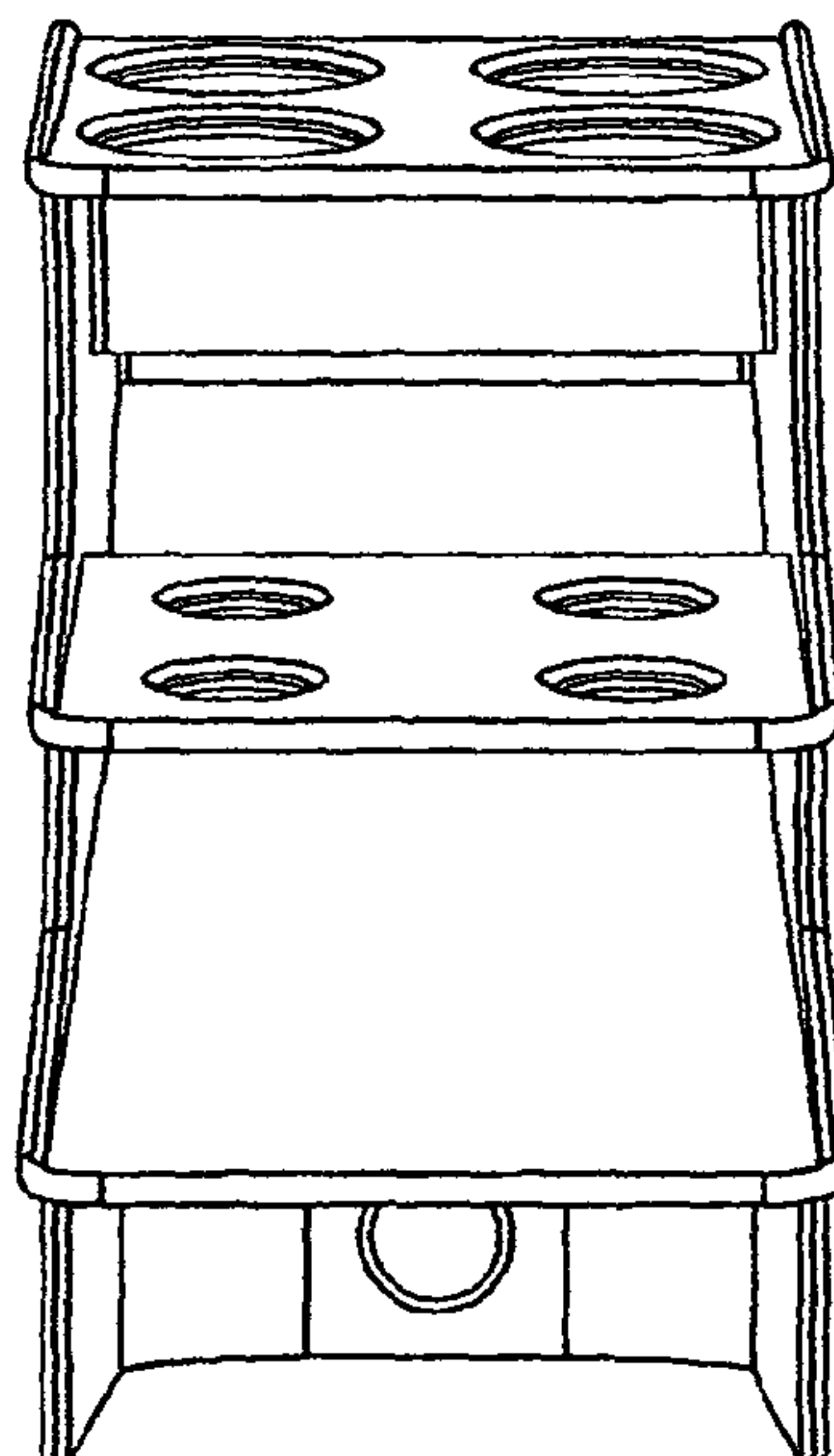


Fig. 3

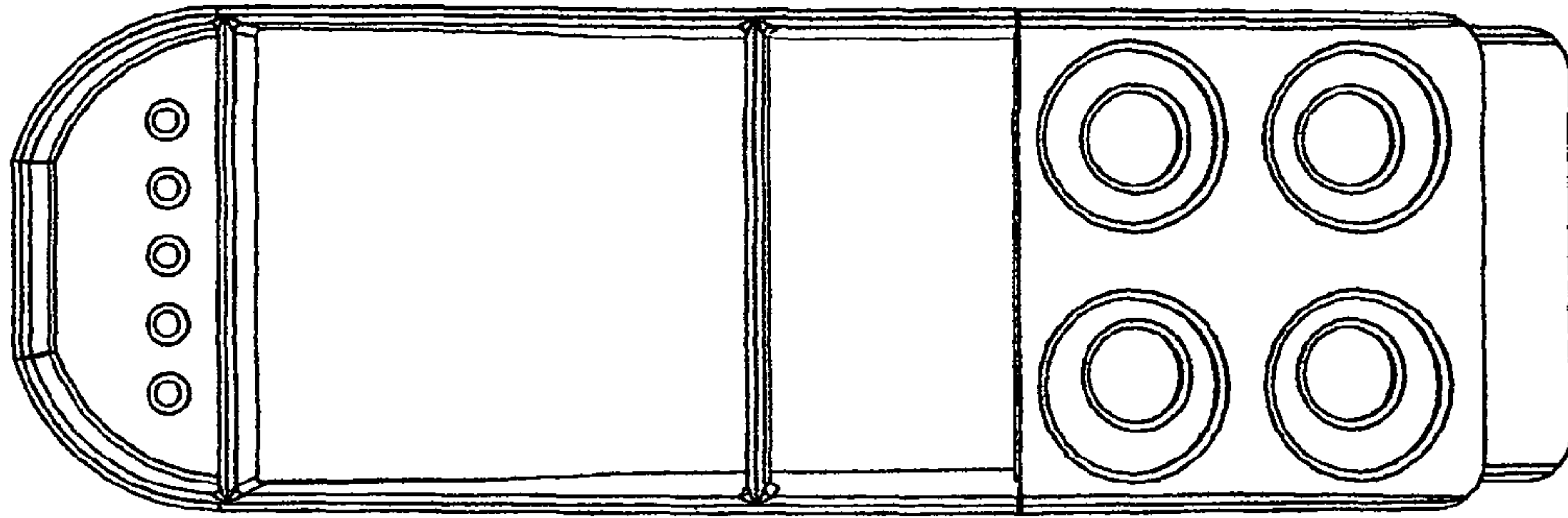


Fig. 4

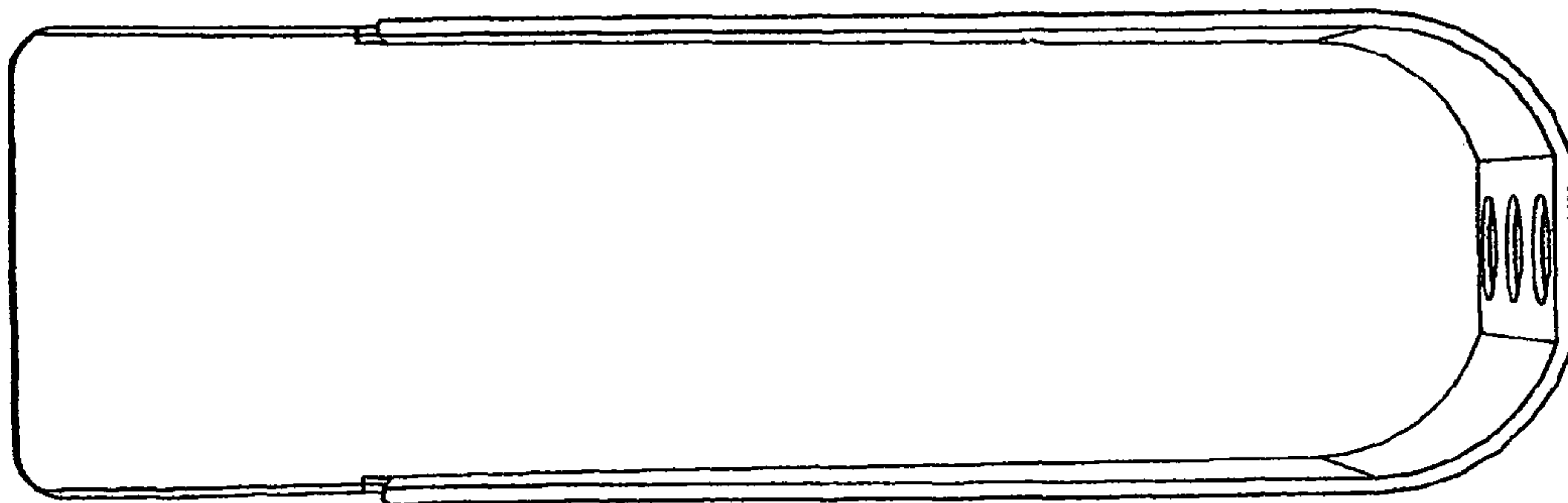


Fig. 5

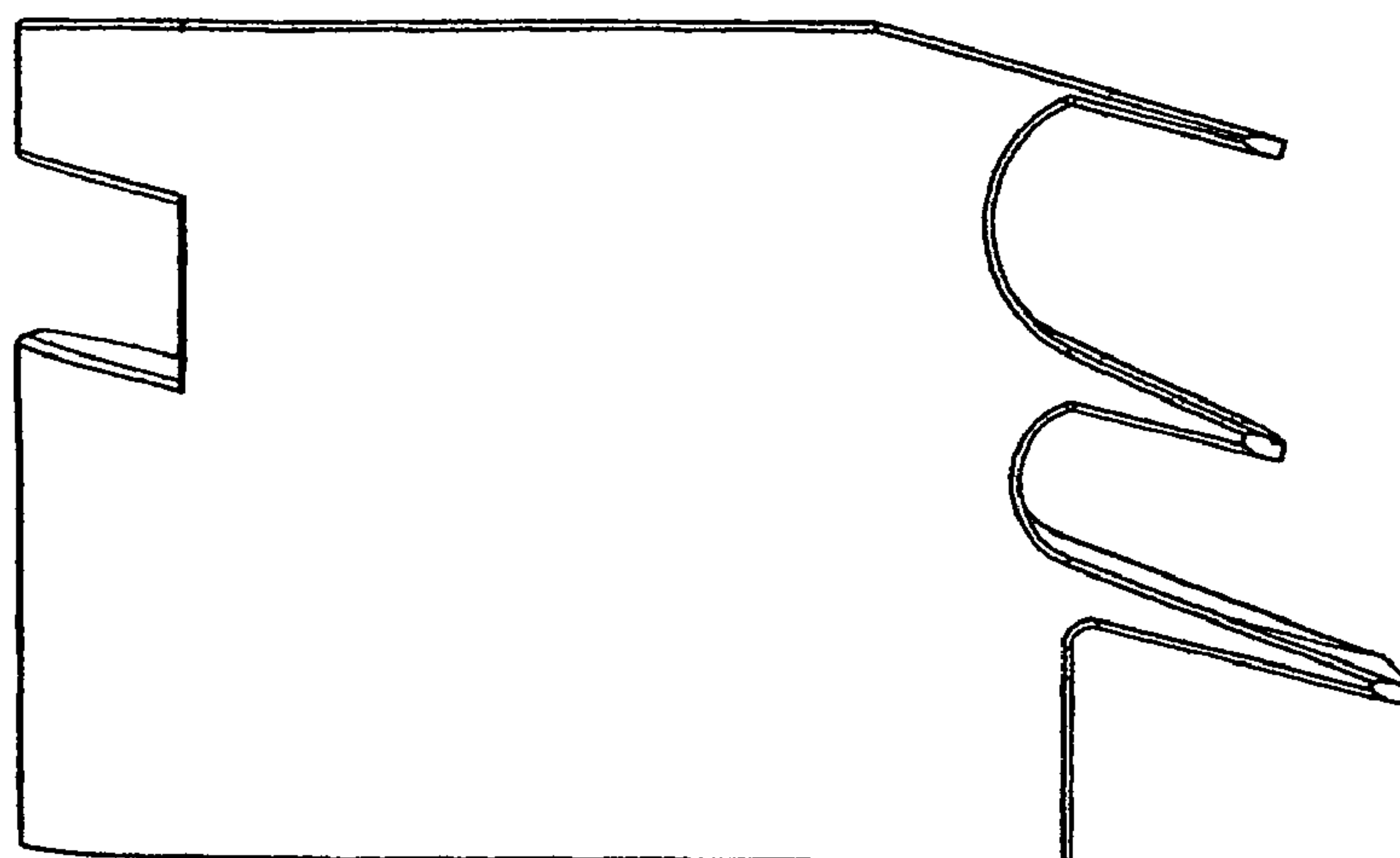


Fig. 6

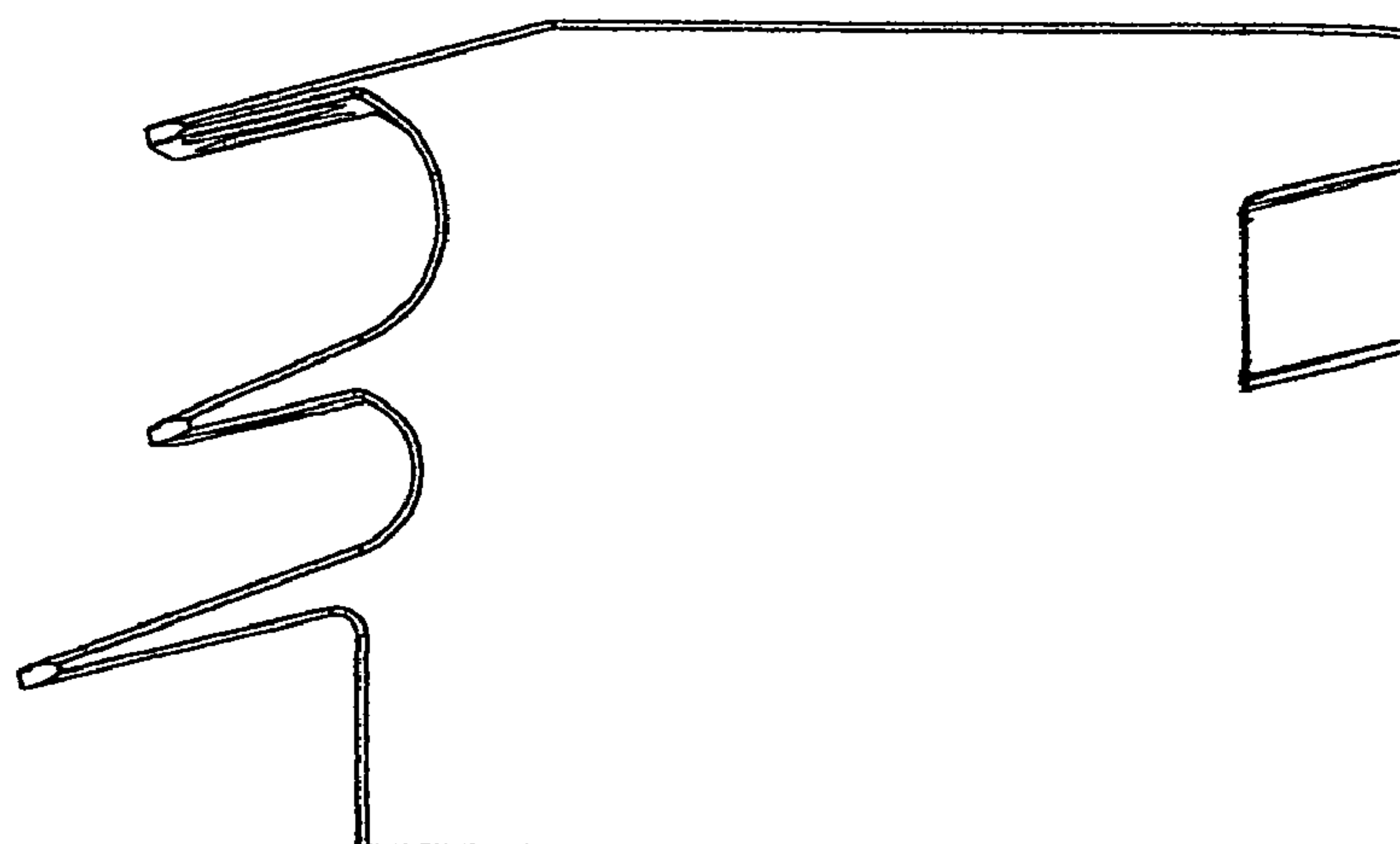


Fig. 7