



US00D661146S

(12) **United States Design Patent**
Gilbert

(10) **Patent No.:** **US D661,146 S**
(45) **Date of Patent:** **** Jun. 5, 2012**

(54) **ACCESSORY POST**

(75) Inventor: **Christopher Jon Gilbert**, Moreland Hills, OH (US)

(73) Assignee: **Moen Incorporated**, North Olmsted, OH (US)

(**) Term: **14 Years**

(21) Appl. No.: **29/405,321**

(22) Filed: **Nov. 1, 2011**

(51) **LOC (9) Cl.** **23-02**

(52) **U.S. Cl.** **D6/524**

(58) **Field of Classification Search** D6/546-550,
D6/518-519, 522-524; 211/13.1, 16, 60.1,
211/86.01, 87.01, 88.01, 88.04, 100, 105.1,
211/105.2, 123, 181.1, 182; D8/300, 303,
D8/315-321; 248/175, 176.1, 251, 302;
242/570, 590, 595-598; 16/110.1, 412, 415
See application file for complete search history.

(56) **References Cited**

U.S. PATENT DOCUMENTS

D33,787 S	12/1900	Meiners
D53,683 S	8/1919	Jordan
D83,924 S	4/1931	Sakier
D185,283 S	5/1959	Heyer
D417,262 S	11/1999	Caplow
D455,196 S	4/2002	Caplow
D455,197 S	4/2002	Caplow
D456,063 S	4/2002	McKeone
D461,527 S	8/2002	Ko
D461,530 S	8/2002	Moll
D465,369 S	11/2002	Moore
D466,734 S	12/2002	Moore
D466,741 S	12/2002	Moore
D473,932 S	4/2003	Caplow
D477,481 S	7/2003	Ouano
D477,484 S	7/2003	Ouano

D477,946 S	8/2003	Ouano	
D477,951 S	8/2003	Ouano	
D478,441 S	8/2003	Marks et al.	
D478,755 S *	8/2003	Moore	D6/524
D478,759 S	8/2003	Hoernig	
D482,917 S	12/2003	Chen	
D493,213 S	7/2004	Svendsen et al.	
D493,644 S	8/2004	Chen	
D493,645 S *	8/2004	Ayers et al.	D6/524

(Continued)

OTHER PUBLICATIONS

Bath Accessory Products, the bath accessory products shown in the cited document were publicly available more than one year prior to Nov. 1, 2011, 7 pages.

Primary Examiner — Brian N Vinson

(74) *Attorney, Agent, or Firm* — Calfee, Halter & Griswold LLP

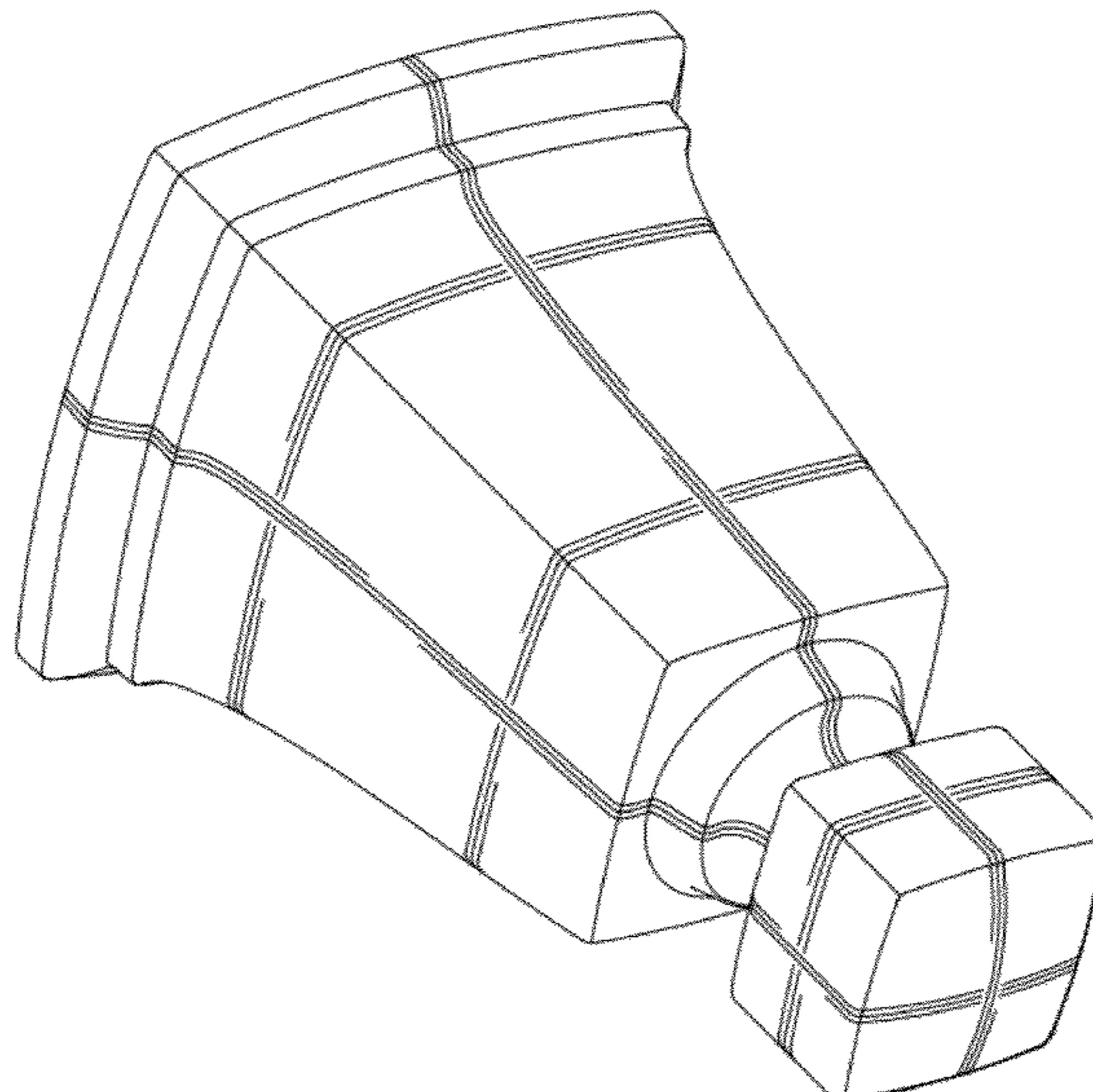
(57) **CLAIM**

The ornamental design for an accessory post, as shown and described.

DESCRIPTION

FIG. 1 is a perspective view of an accessory post of the new design;
FIG. 2 is a front elevational view of the accessory post of FIG. 1;
FIG. 3 is a left side elevational view of the accessory post of FIG. 1;
FIG. 4 is a right side elevational view of the accessory post of FIG. 1; and,
FIG. 5 is a top plan view of the accessory post of FIG. 1, the bottom plan view being a mirror image thereof.
The broken-line disclosure is understood to represent portions of the article in which the claimed design is embodied, but which form no part of the claimed design.

1 Claim, 3 Drawing Sheets



US D661,146 S

Page 2

U.S. PATENT DOCUMENTS

D493,990 S *	8/2004	Ayers et al.	D6/524	D564,270 S *	3/2008	Gilbert	D6/524
D496,717 S	9/2004	Svendsen et al.		D569,953 S	5/2008	Dolan	
D497,198 S	10/2004	Painter et al.		D570,677 S	6/2008	Lee	
D503,967 S	4/2005	Otero		D573,693 S	7/2008	Hsieh	
D511,371 S	11/2005	Chen		D573,823 S *	7/2008	Ko	D6/524
D511,811 S	11/2005	Lord		D575,851 S	8/2008	Ko	
D515,671 S	2/2006	Toyohara		D575,852 S	8/2008	Ko	
D518,152 S	3/2006	Theberge		D577,422 S	9/2008	Williams	
D518,323 S	4/2006	Qu et al.		D579,082 S	10/2008	Yuan	
D520,116 S	5/2006	Koury et al.		D580,521 S	11/2008	Gessi	
D520,607 S	5/2006	Koury et al.		D581,024 S	11/2008	Dolan	
D522,624 S	6/2006	Koury et al.		D581,491 S	11/2008	Yuan	
D522,633 S	6/2006	Hoernig		D582,007 S	12/2008	Ko	
D530,956 S	10/2006	Gilbert		D583,600 S *	12/2008	Ricereto	D6/524
D531,275 S	10/2006	Tsai		D587,786 S	3/2009	Williams	
D533,643 S	12/2006	Veltz		D589,326 S	3/2009	Mattson et al.	
D535,723 S	1/2007	Veltz		D600,479 S *	9/2009	Gao	D6/524
D543,436 S	5/2007	Ricereto		D608,859 S	1/2010	Schoenherr et al.	
D550,009 S	9/2007	Rexach		D616,682 S *	6/2010	Gilbert	D6/524
D551,886 S *	10/2007	Berberet	D6/524	D631,137 S	1/2011	Ke et al.	
D563,525 S	3/2008	Zhu		D631,529 S	1/2011	Ko	
D563,702 S	3/2008	Ricereto		D635,382 S *	4/2011	Kim	D6/524

* cited by examiner

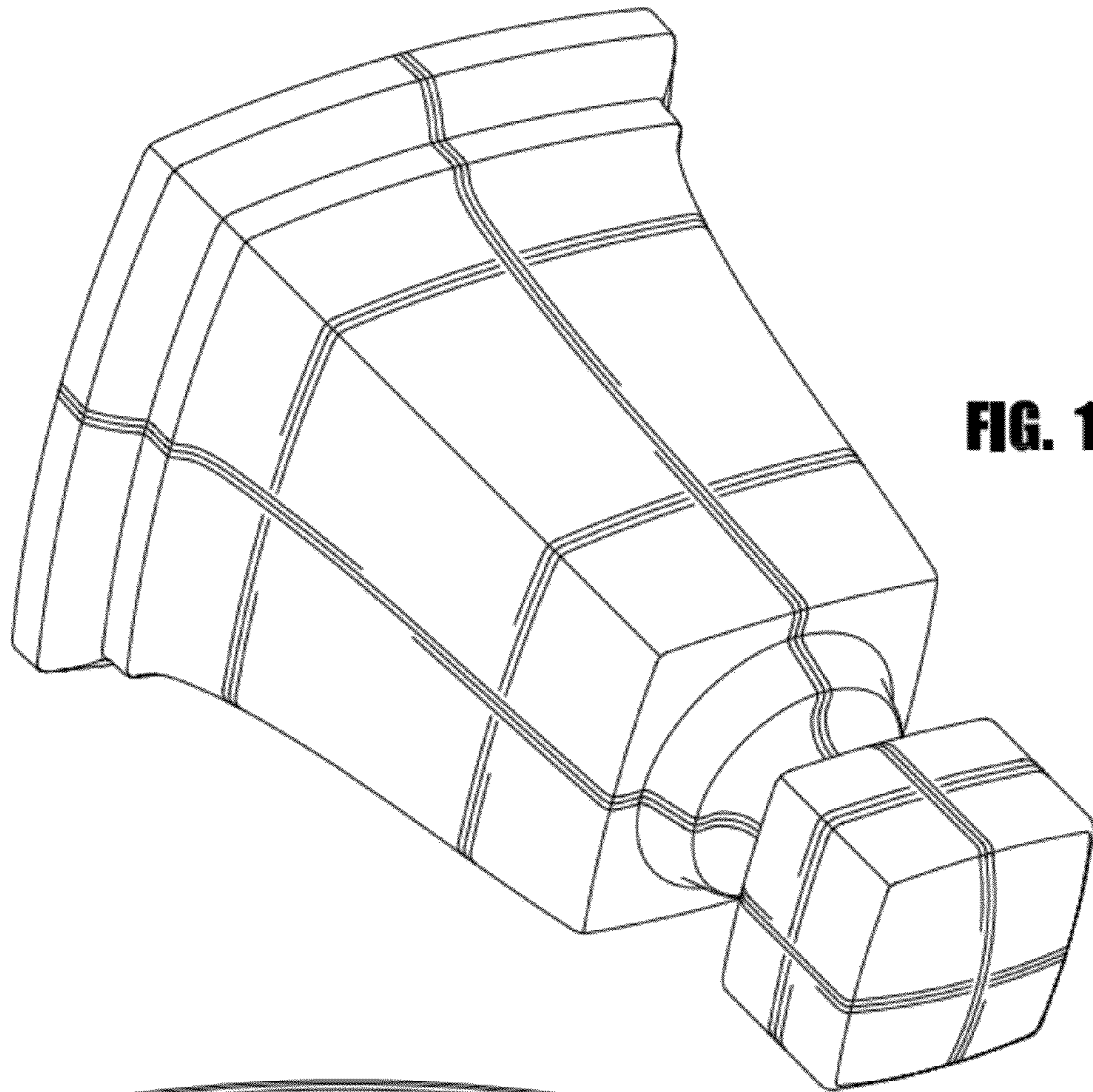


FIG. 1

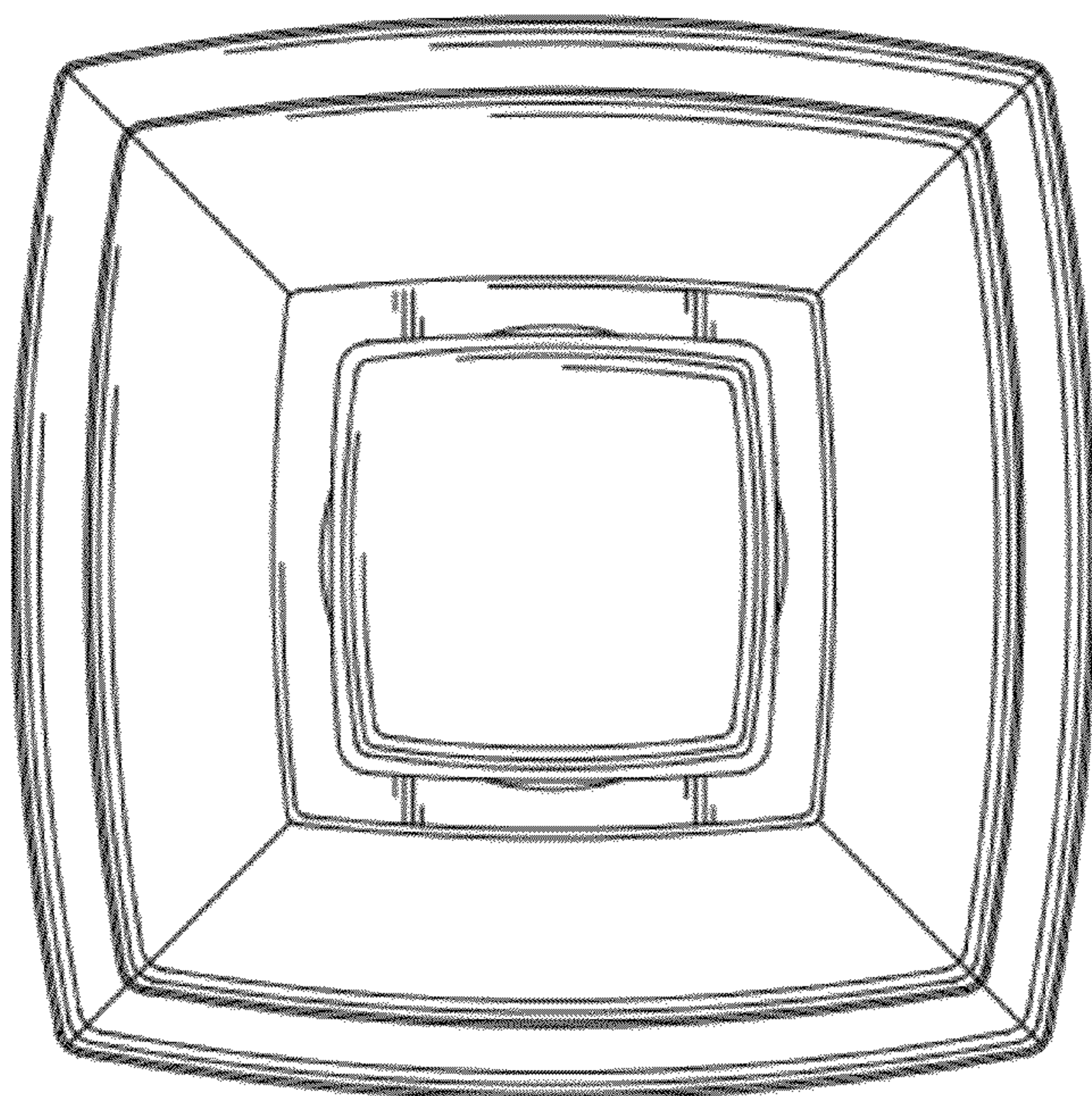


FIG. 2

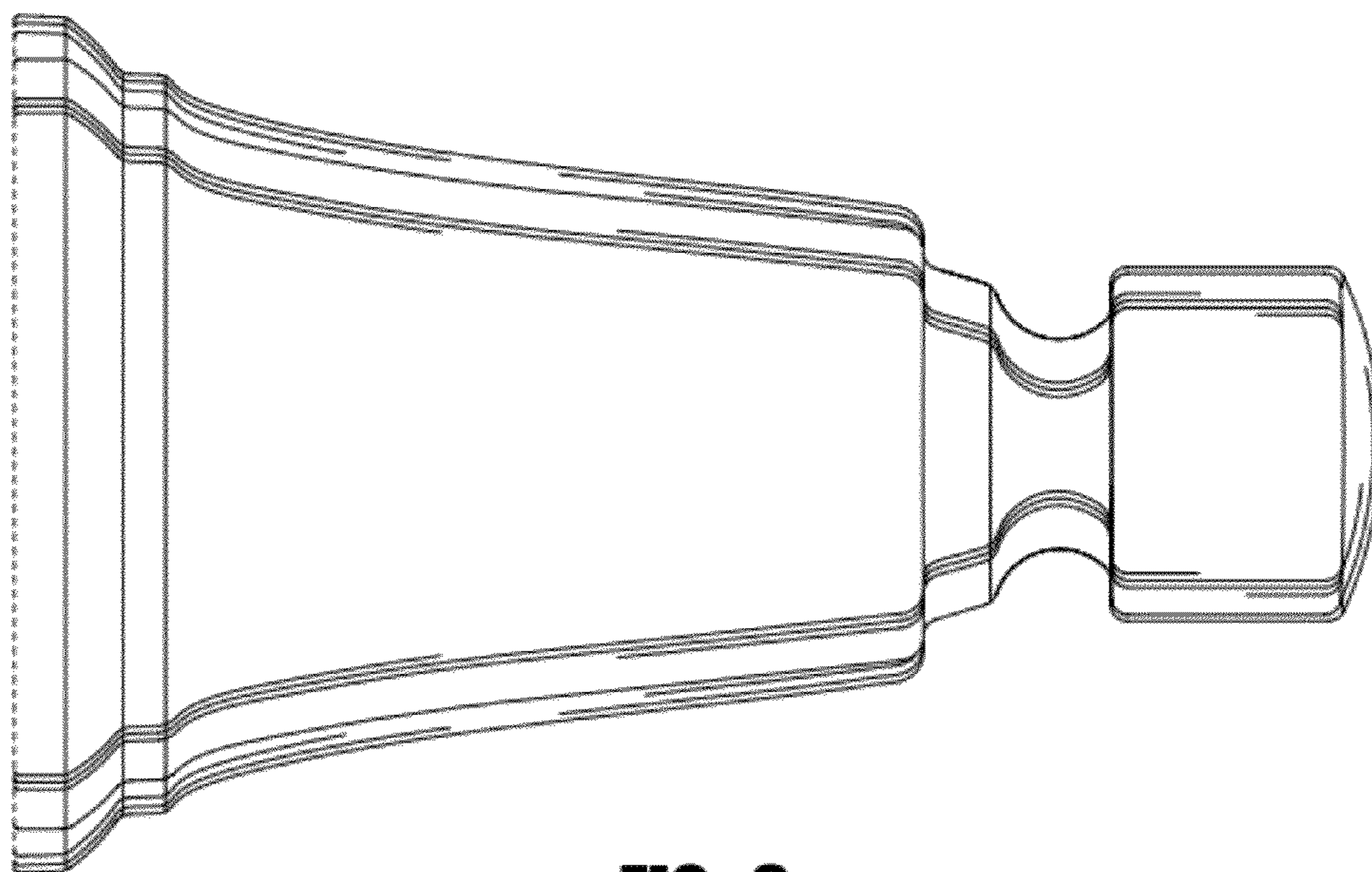


FIG. 3

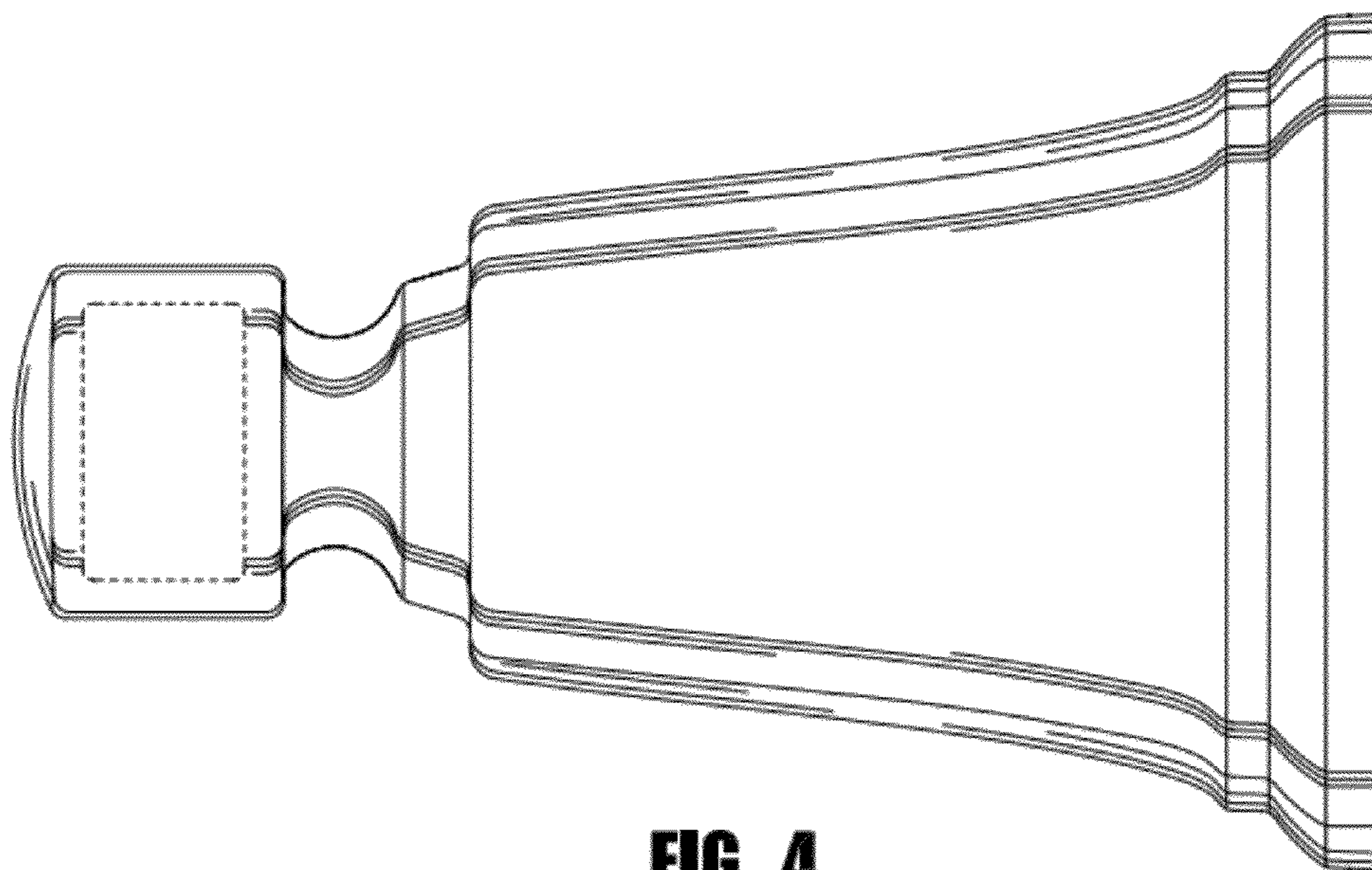


FIG. 4

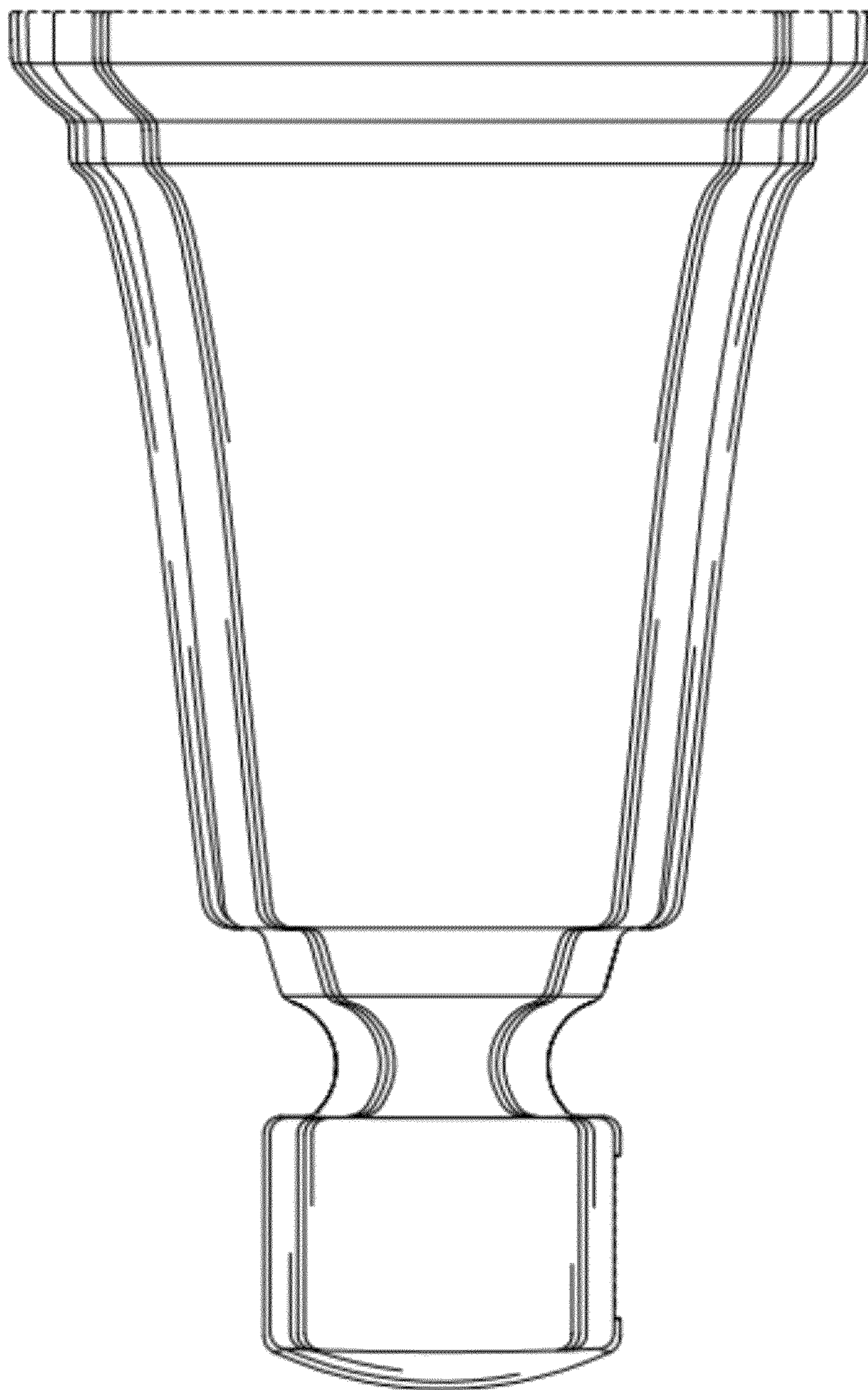


FIG. 5