

US00D661144S

(12) **United States Design Patent**  
**Rothschild**

(10) **Patent No.:** **US D661,144 S**  
(45) **Date of Patent:** **\*\* Jun. 5, 2012**

- (54) **TILE DISPENSER FOR A GAME**
  - (75) Inventor: **Omri Rothschild**, Tel Aviv (IL)
  - (73) Assignee: **ThinkFun, Inc.**, Alexandria, VA (US)
  - (\*\*) Term: **14 Years**
  - (21) Appl. No.: **29/381,848**
  - (22) Filed: **Dec. 23, 2010**
  - (51) **LOC (9) Cl.** ..... **20-02**
  - (52) **U.S. Cl.** ..... **D6/515**
  - (58) **Field of Classification Search** ..... D3/203.2,  
D3/203.1, 203.3, 203.4, 201, 205, 294; D6/515,  
D6/512; 206/530-540, 581, 445; D21/392,  
D21/394, 385; 221/152, 190, 196, 264, 266,  
221/281
- See application file for complete search history.

- D605,442 S \* 12/2009 Elhalwani ..... D6/515
- D607,675 S \* 1/2010 Lochen ..... D6/515
- D618,290 S \* 6/2010 Nathanson ..... D21/394
- 7,815,048 B2 \* 10/2010 Bean ..... 206/445
- D636,992 S \* 5/2011 Budde ..... D21/392

\* cited by examiner

*Primary Examiner* — Brian N Vinson

(74) *Attorney, Agent, or Firm* — Venable LLP; Michael A. Sartori; Steven J. Schwarz

(57) **CLAIM**

The ornamental design for a tile dispenser for a game, as shown and described.

**DESCRIPTION**

FIG. 1 is a perspective view of a first embodiment of a tile dispenser for a game of the claimed design;  
 FIG. 2 is a perspective view thereof, shown with a portion of the tile dispenser for a game moved into a different position;  
 FIG. 3 is a top plan view thereof;  
 FIG. 4 is a left side elevational view thereof;  
 FIG. 5 is a right side elevational view thereof;  
 FIG. 6 is a rear elevational view thereof; and,  
 FIG. 7 is a front elevational view thereof.

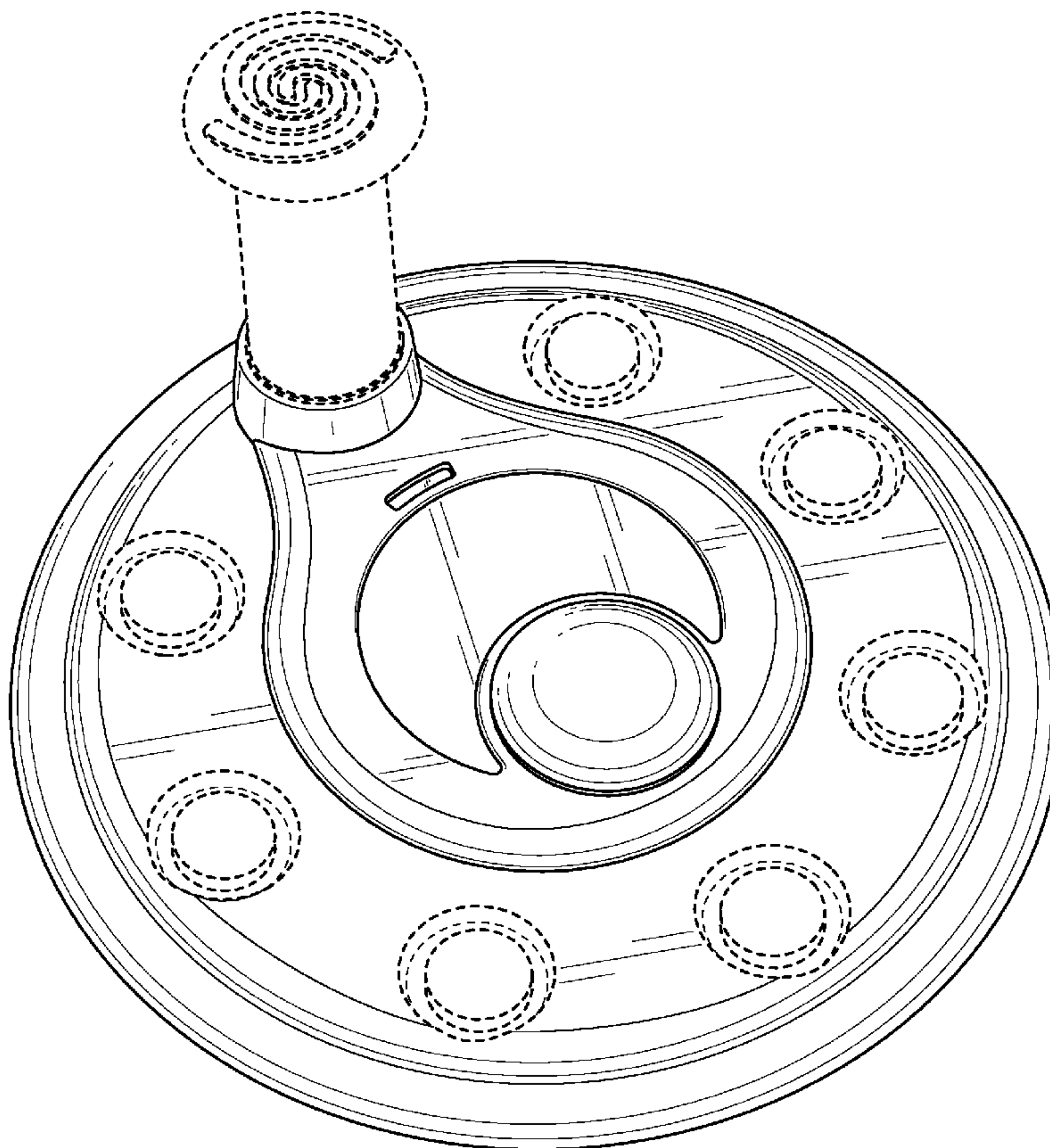
The bottom of the tile dispenser is unornamented and not part of the claimed design. The features shown in broken lines are environment only and not part of the claimed design.

**1 Claim, 7 Drawing Sheets**

(56) **References Cited**

U.S. PATENT DOCUMENTS

- D373,037 S \* 8/1996 Lotti ..... D6/515
- D424,340 S \* 5/2000 Fleming ..... D6/515
- D521,079 S \* 5/2006 Bertrand ..... D21/392
- D541,088 S \* 4/2007 Nesci ..... D6/515
- D563,482 S \* 3/2008 DuBois et al. .... D21/385
- D578,576 S \* 10/2008 Montanari et al. .... D21/392
- D579,058 S \* 10/2008 Glavis ..... D21/392
- D604,776 S \* 11/2009 Denoual ..... D21/392



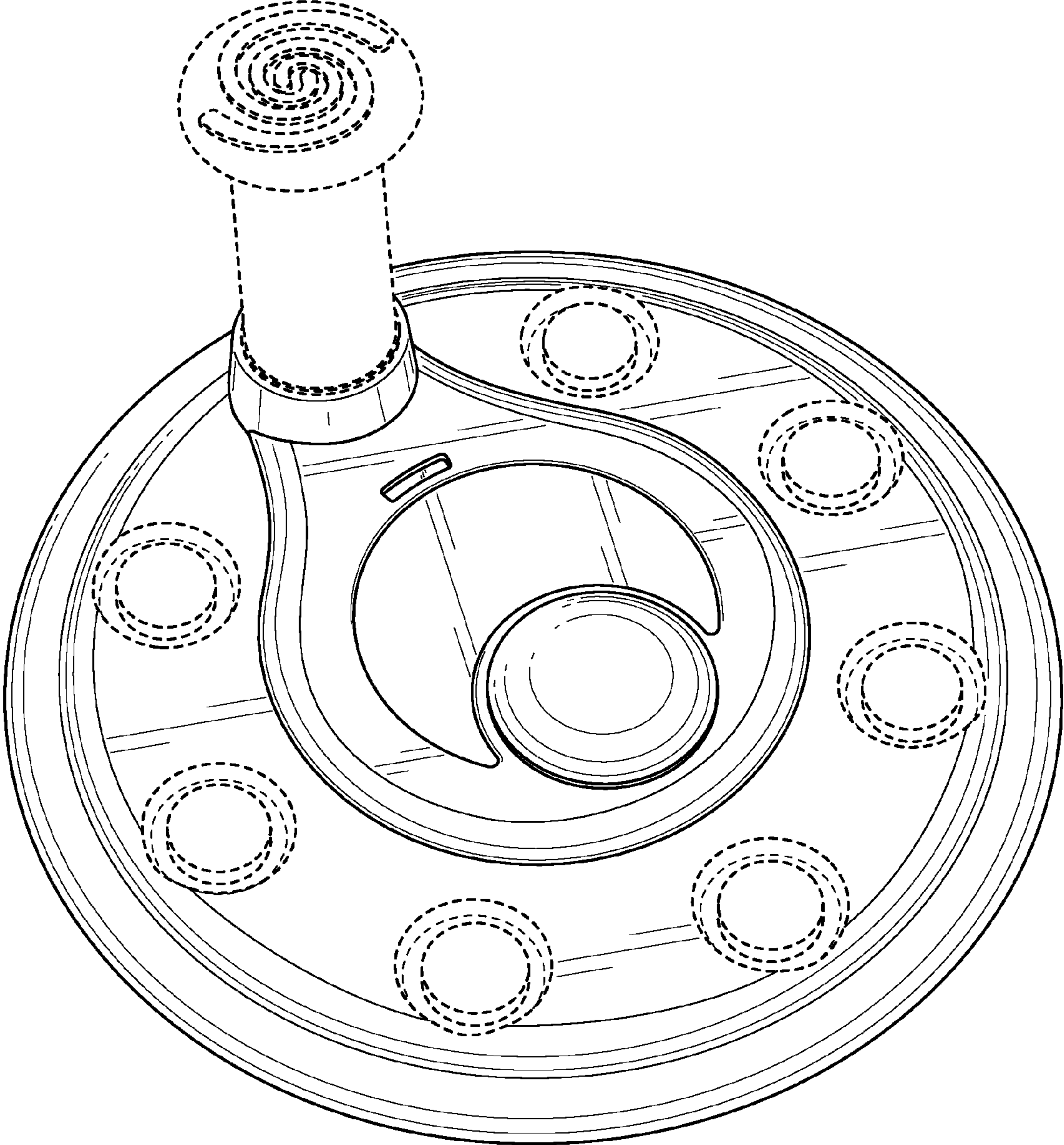


FIG. 1



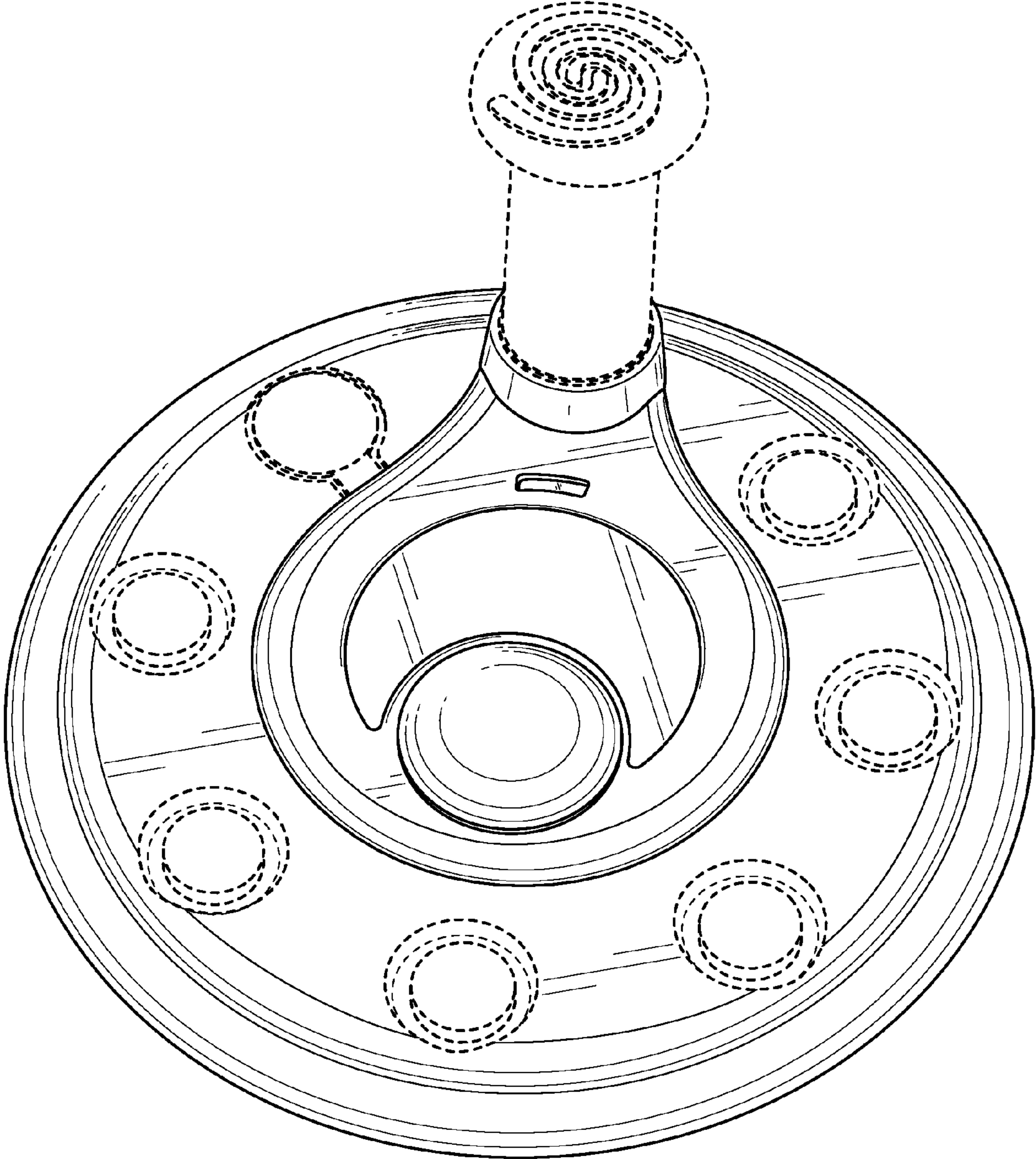


FIG. 2

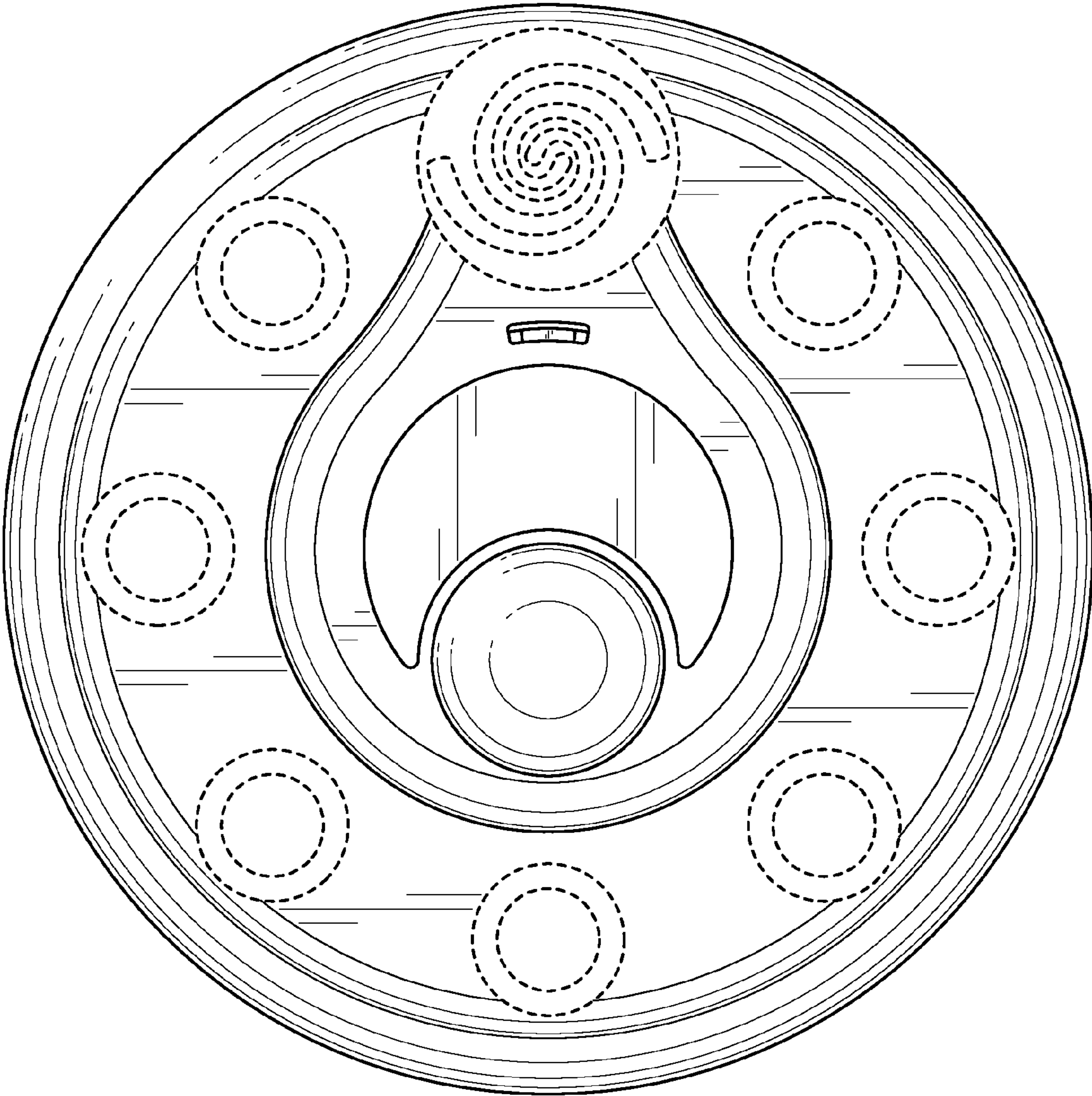


FIG. 3

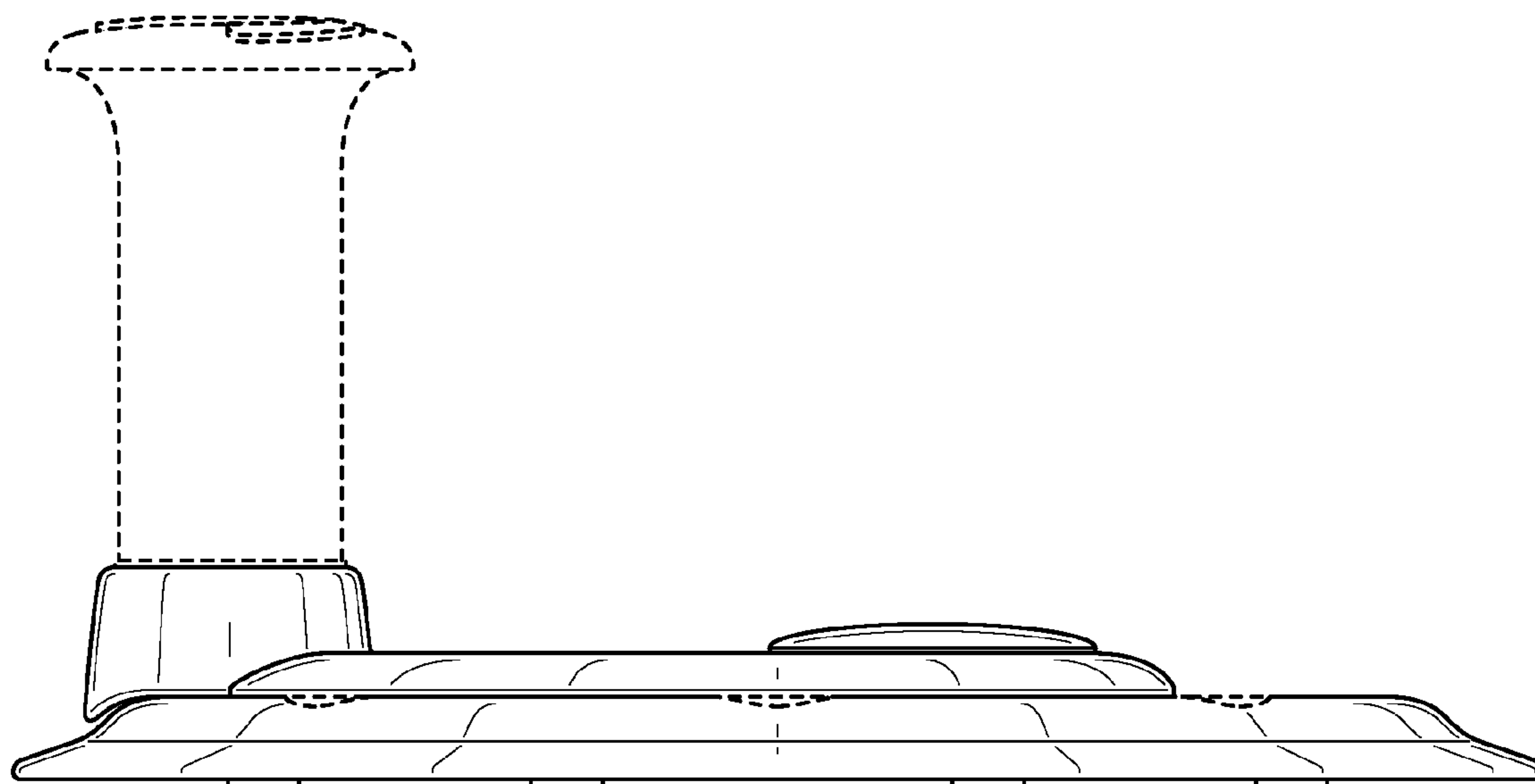


FIG. 4

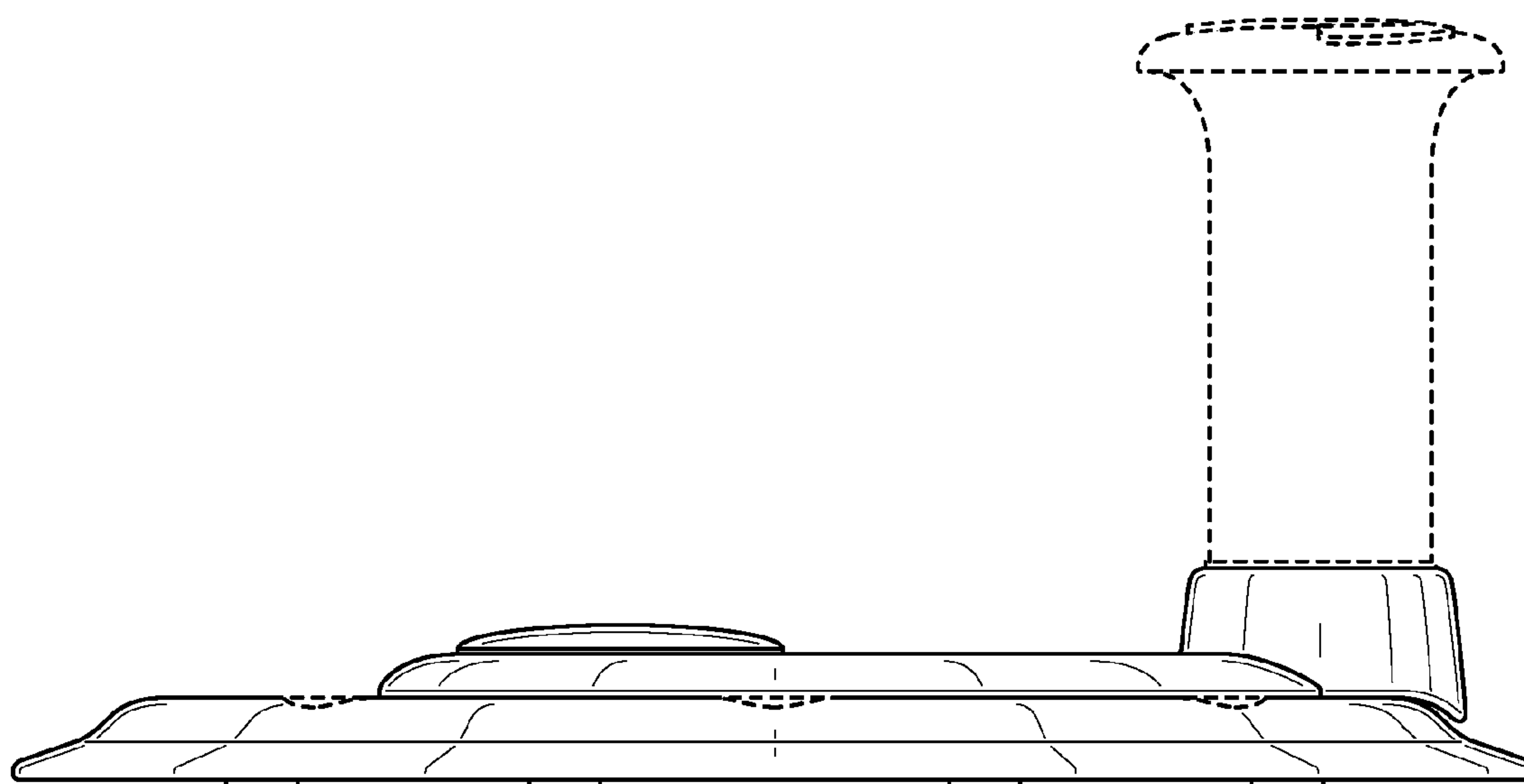


FIG. 5

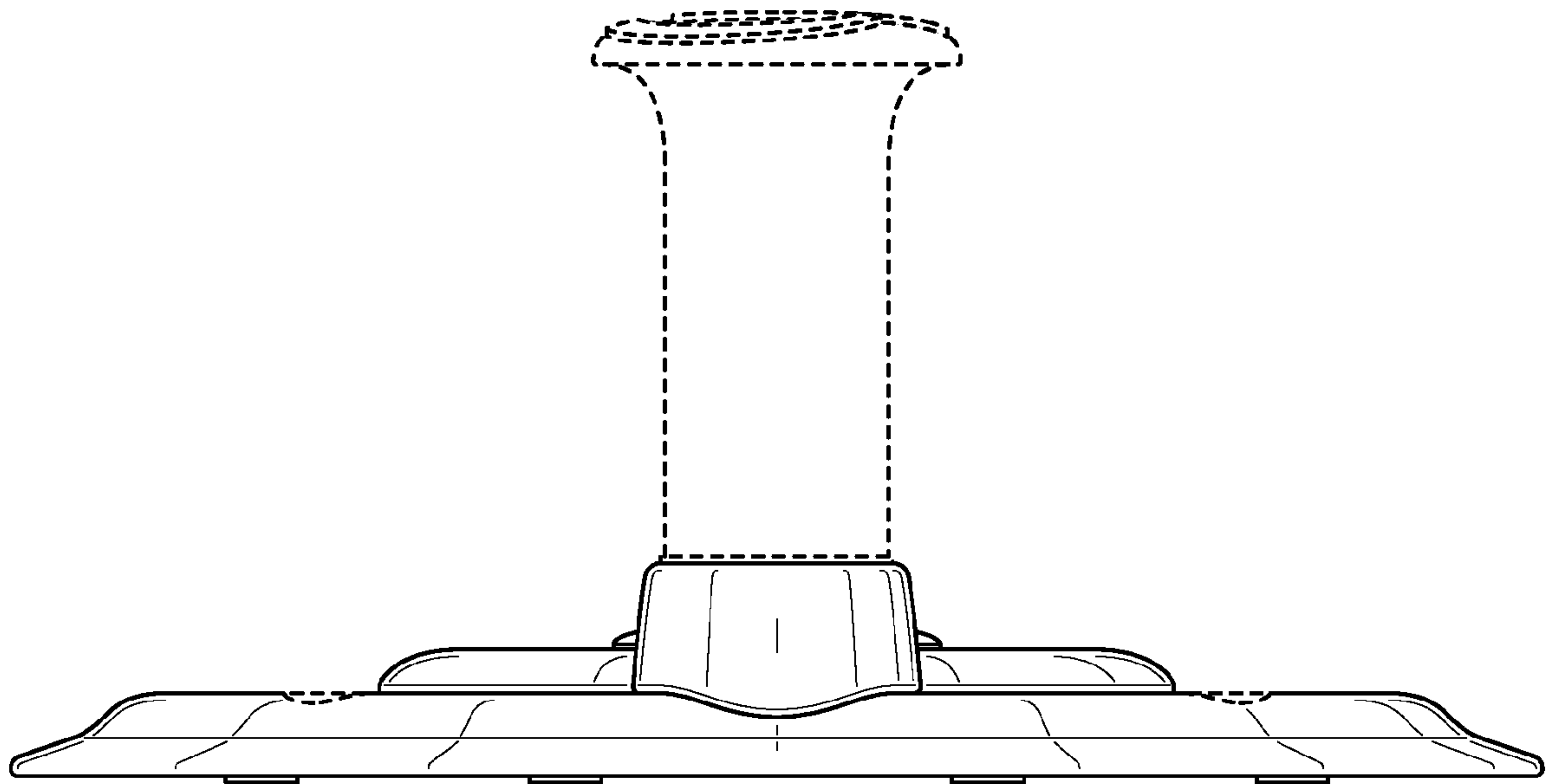


FIG. 6

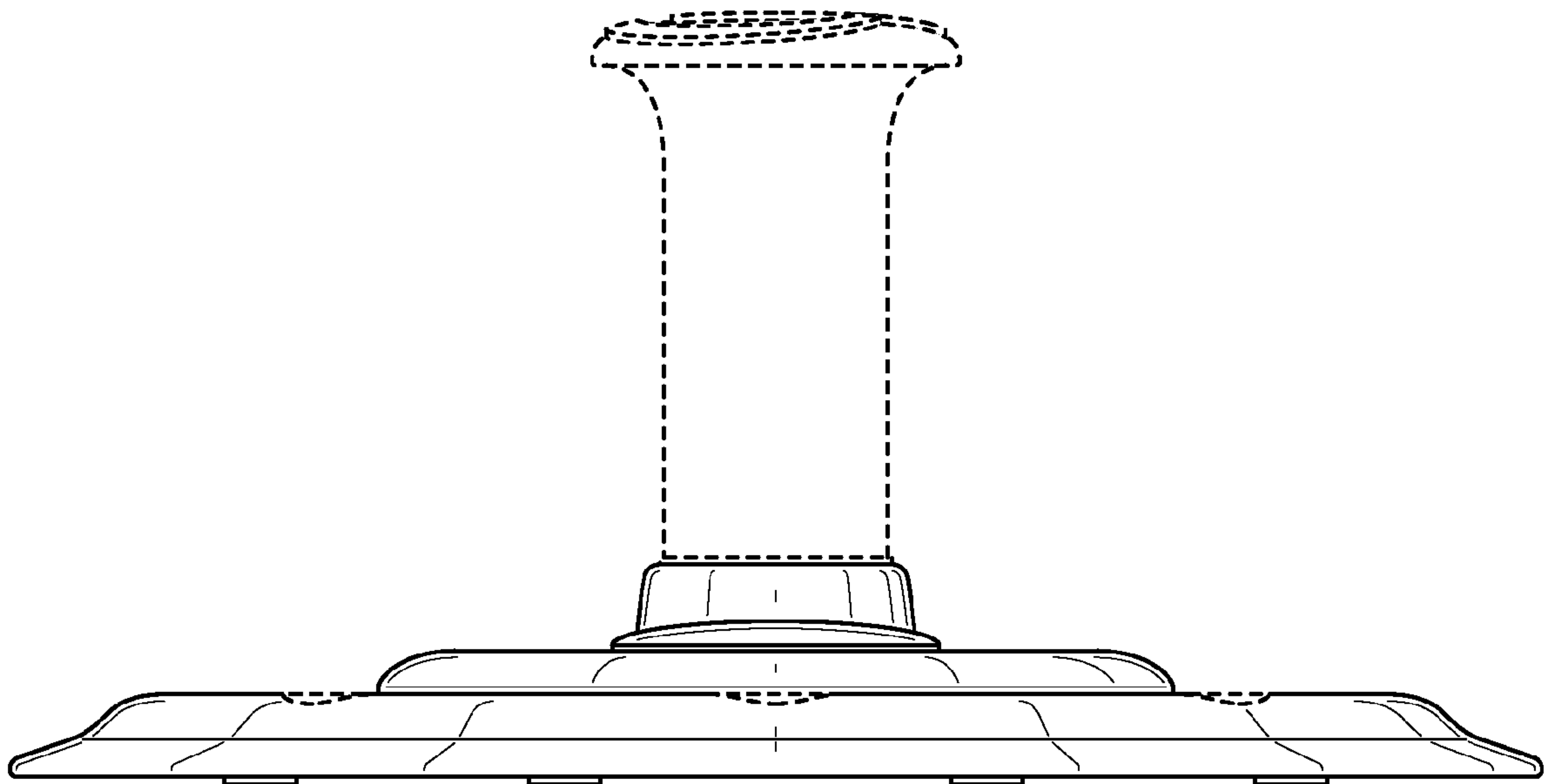


FIG. 7