



US00D661143S

(12) **United States Design Patent**
Ogawa

(10) **Patent No.:** **US D661,143 S**
(45) **Date of Patent:** **** Jun. 5, 2012**

(54) **PORTION OF A KITCHEN COUNTER**

(76) Inventor: **Hirohisa Ogawa, Zushi (JP)**

(**) Term: **14 Years**

(21) Appl. No.: **29/405,914**

(22) Filed: **Nov. 8, 2011**

Related U.S. Application Data

(62) Division of application No. 29/367,412, filed on Aug. 6, 2010.

(30) **Foreign Application Priority Data**

Feb. 12, 2010 (JP) 2010-003261
Feb. 12, 2010 (JP) 2010-003262
Feb. 12, 2010 (JP) 2010-003263

(51) **LOC (9) Cl.** **06-06**

(52) **U.S. Cl.** **D6/511**

(58) **Field of Classification Search** D6/511,
D6/495, 492, 429-431, 406.3, 480-489;
108/150, 152, 153.1, 157.1, 161, 43; D7/698;
D21/397, 484; 248/188, 188.1, 188.8; 126/211;
414/12

See application file for complete search history.

(56) **References Cited**

U.S. PATENT DOCUMENTS

D207,713 S * 5/1967 Sullivan D6/511
D401,791 S * 12/1998 Schwab D6/486

D610,380 S * 2/2010 Momeny D6/511
D627,997 S * 11/2010 Ogawa D6/511
2007/0169770 A1 * 7/2007 Kuwamura 126/211
2009/0180843 A1 * 7/2009 Jackson et al. 414/12

* cited by examiner

Primary Examiner — Philip S Hyder

Assistant Examiner — Sydney R Buffalow

(74) *Attorney, Agent, or Firm* — Fitch Even Tabin & Flannery, LLP

(57) **CLAIM**

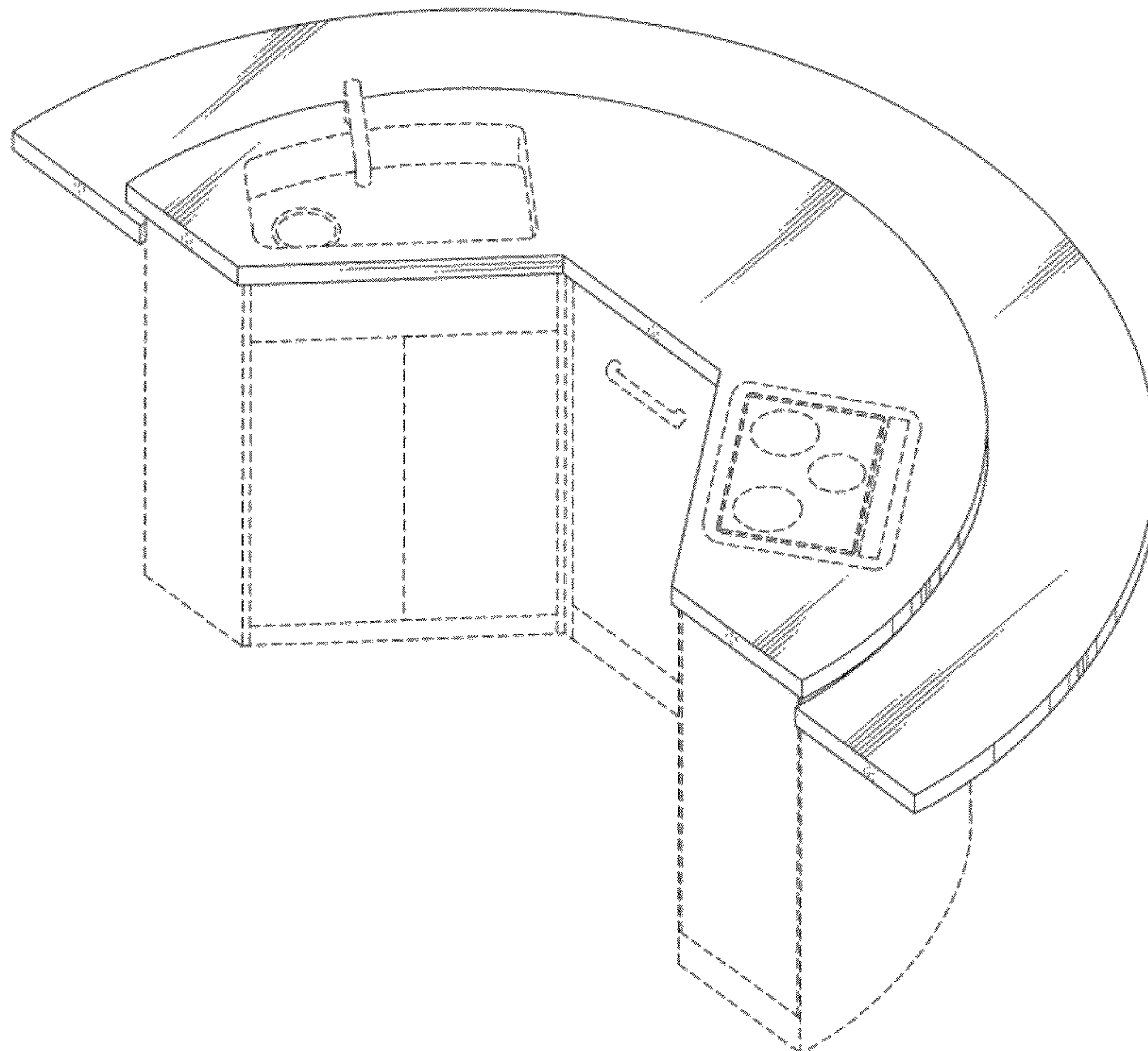
I claim the ornamental design for a portion of a kitchen counter, as shown and described.

DESCRIPTION

FIG. 1 is a perspective view of a portion of a kitchen counter according to my new design;
FIG. 2 is a front elevational view thereof;
FIG. 3 is a rear elevational view thereof;
FIG. 4 is a top plan view thereof;
FIG. 5 is a bottom plan view thereof;
FIG. 6 is a right side elevational view thereof;
FIG. 7 is a left side elevational view thereof;
FIG. 8 is a cross sectional view thereof, taken along line 8-8 in FIG. 2; and,
FIG. 9 is a cross sectional view thereof, taken along line 9-9 in FIG. 2.

The broken lines are for illustrative purposes only and form no part of the claimed design.

1 Claim, 7 Drawing Sheets



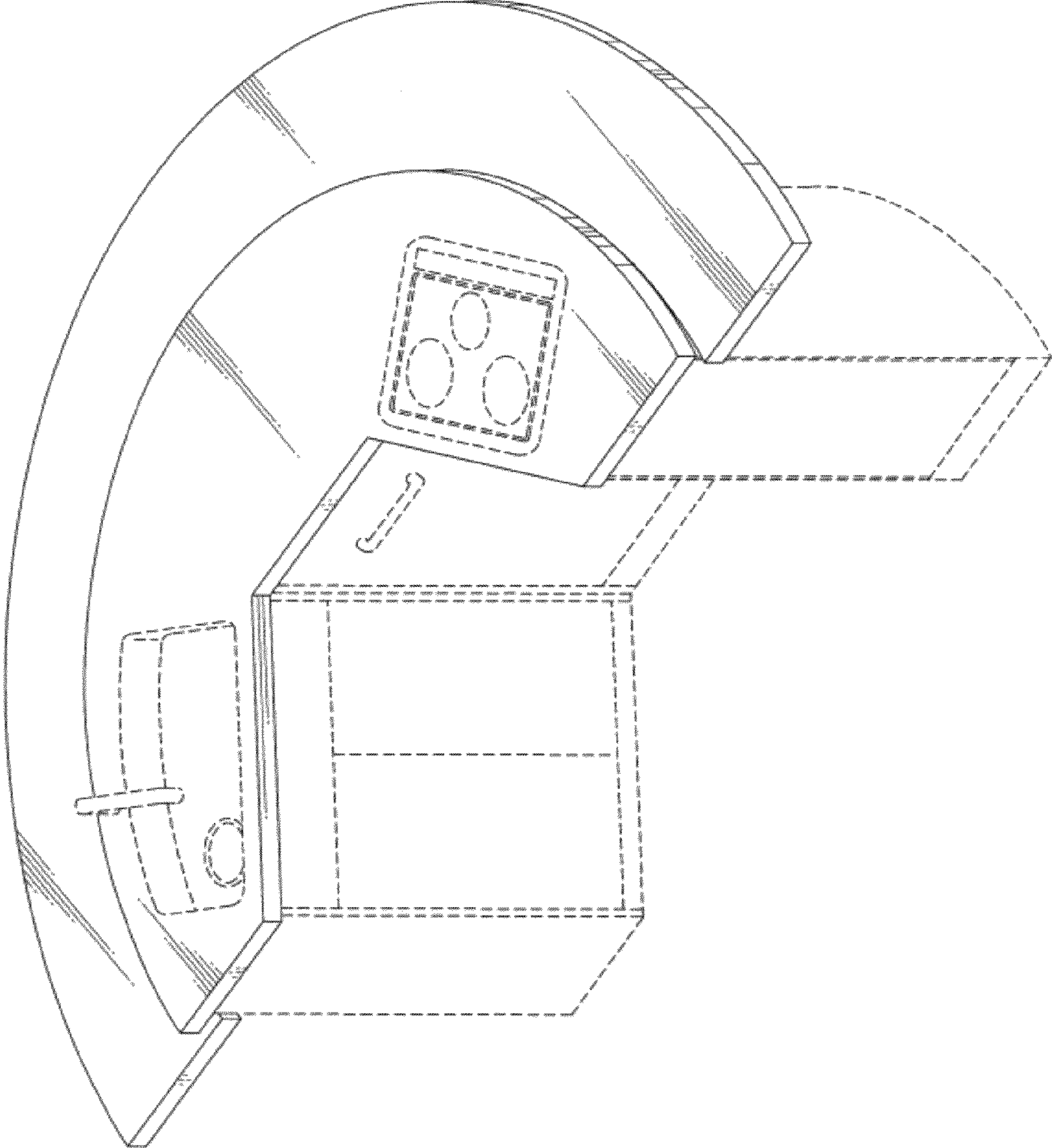


FIG. 1

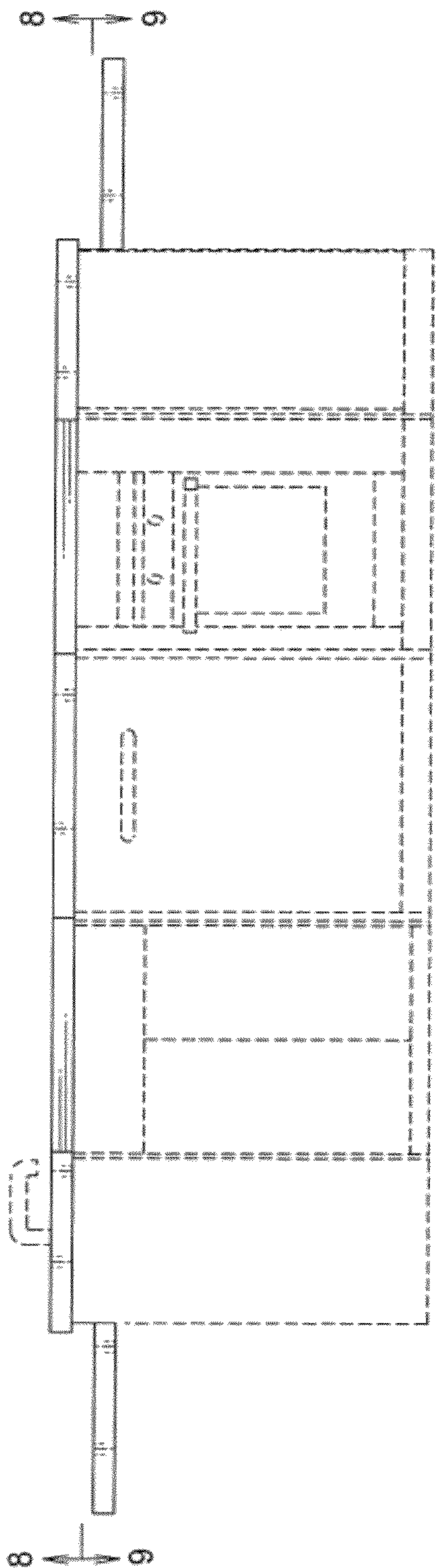


FIG. 2

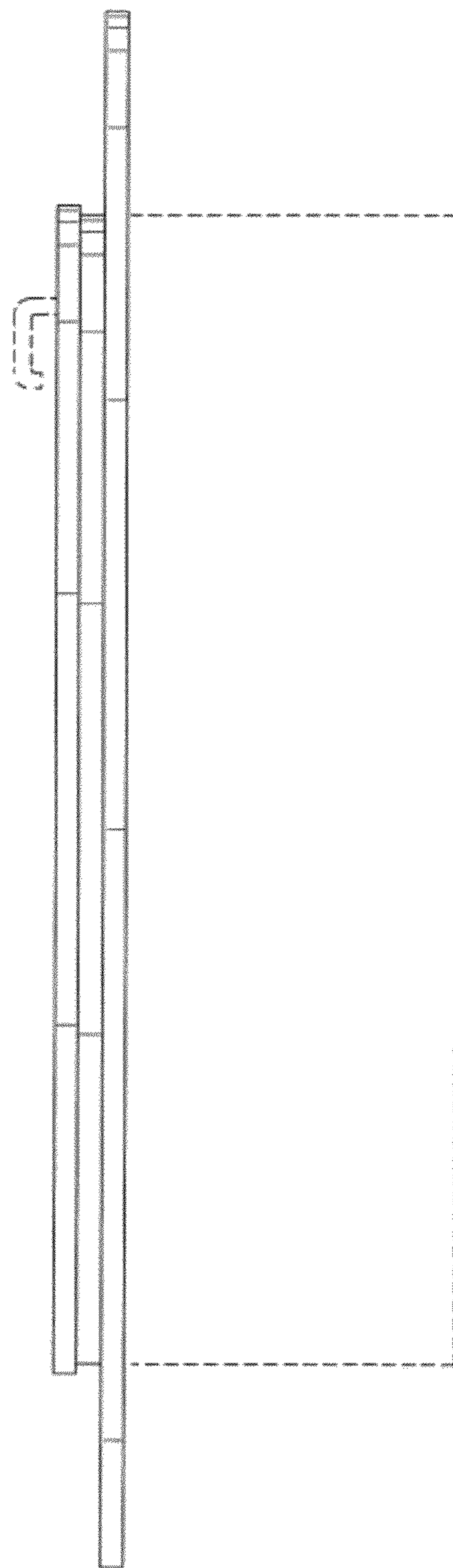


FIG. 3

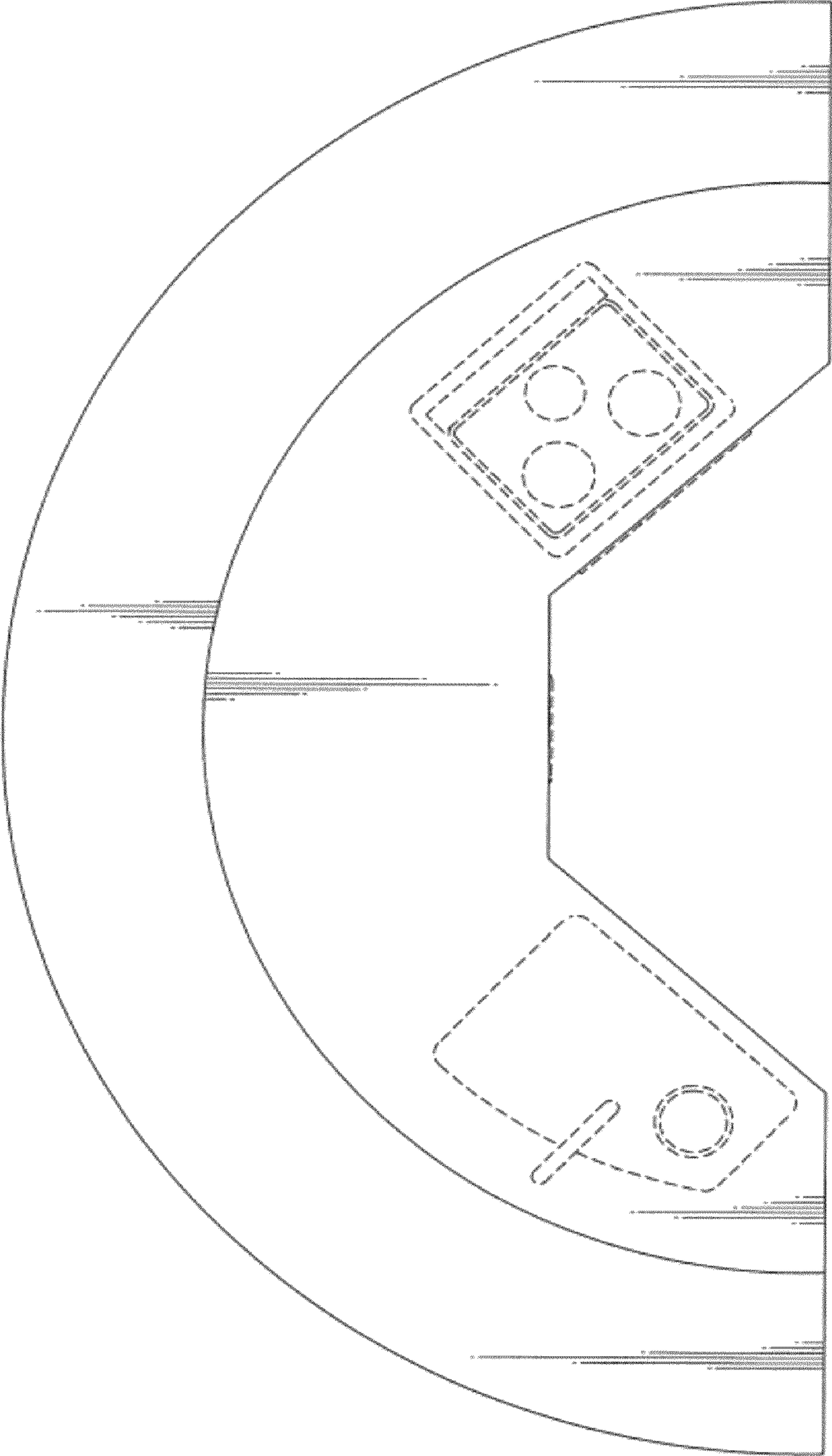


FIG. 4

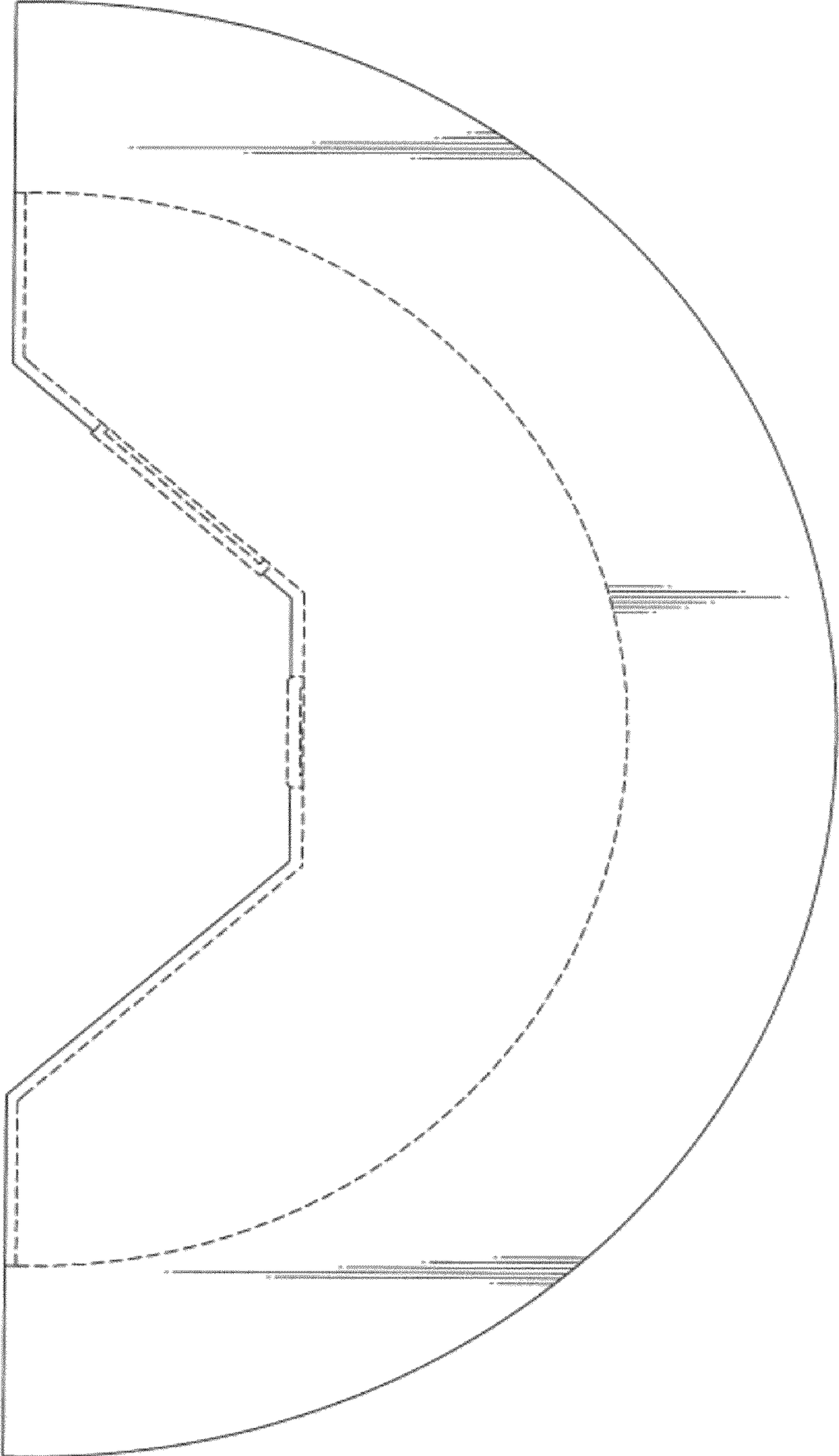


FIG. 5

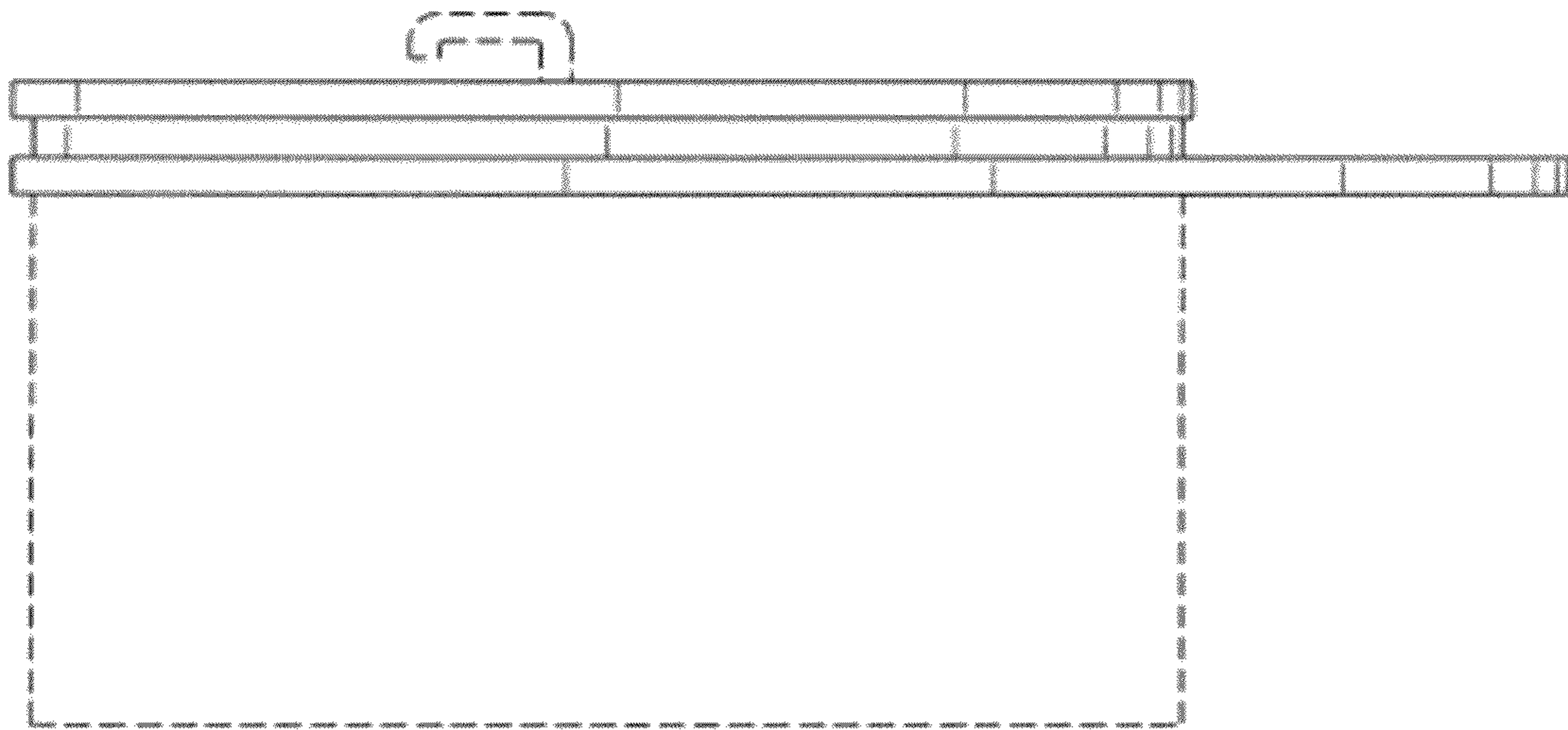


FIG. 6

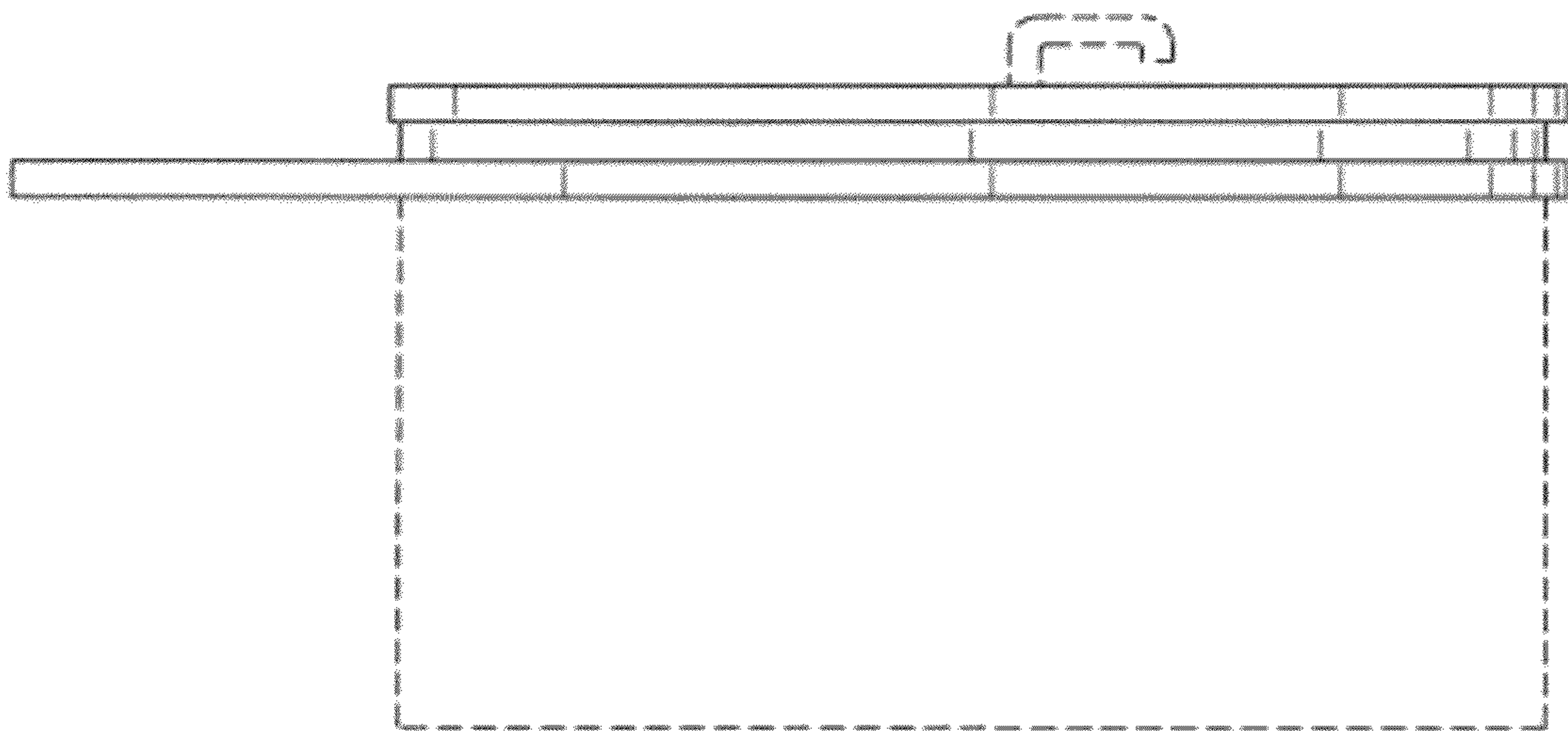


FIG. 7

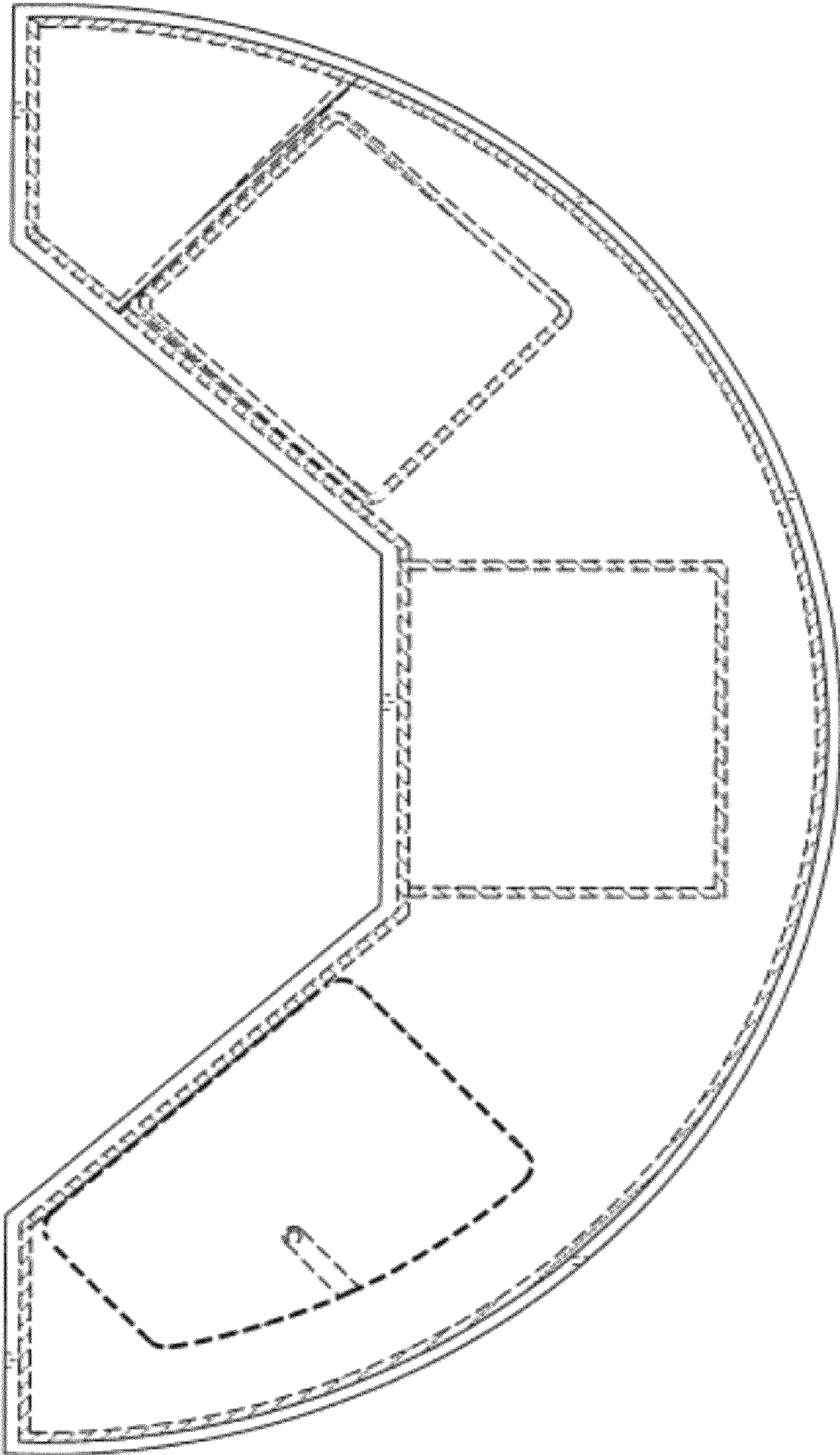


FIG. 8

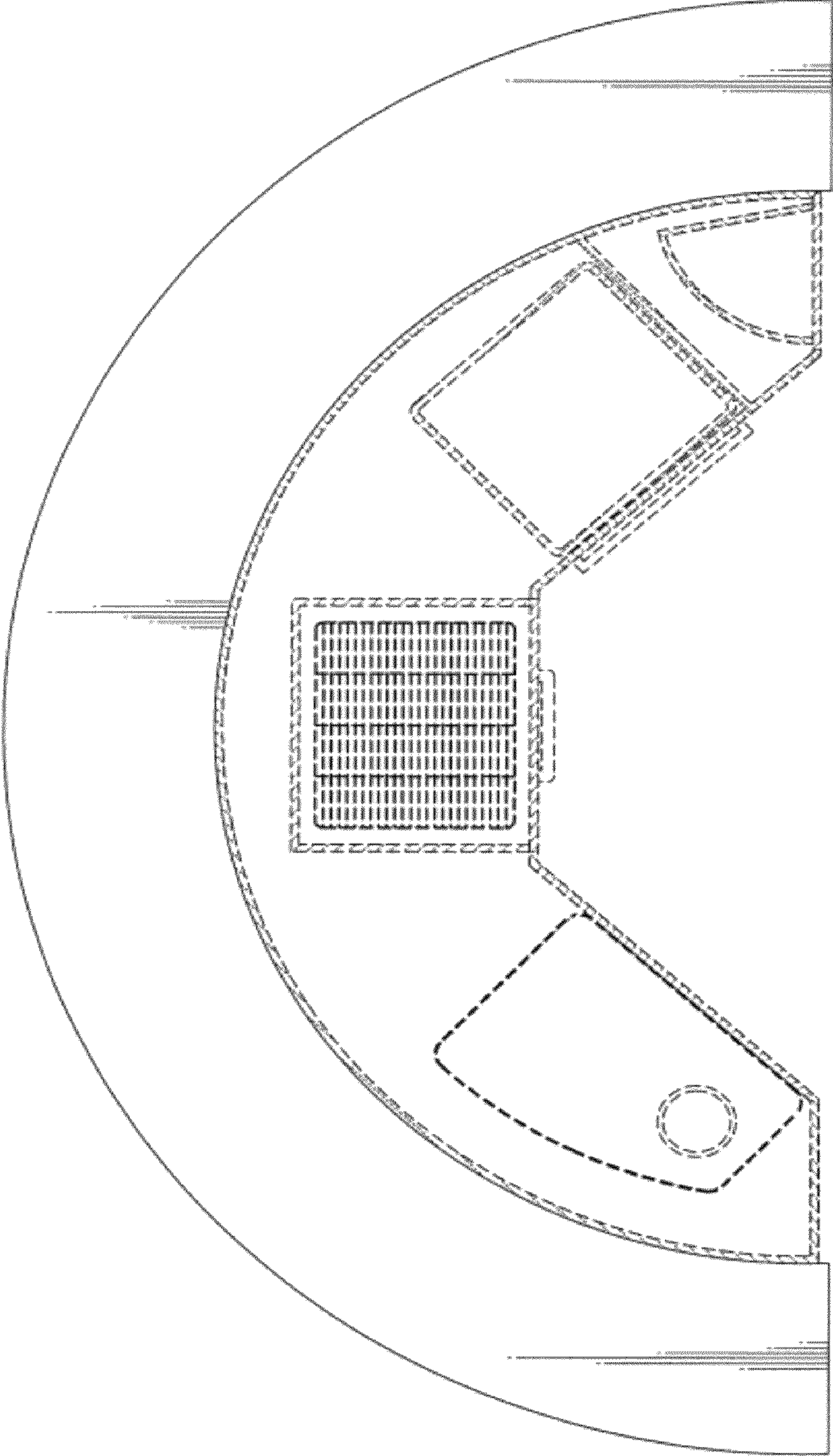


FIG. 9