



US00D661141S

(12) **United States Design Patent**
Bao

(10) **Patent No.:** **US D661,141 S**
(45) **Date of Patent:** **** Jun. 5, 2012**

(54) **BODYWORK OF A ROLLER CABINET**

(76) Inventor: **Jiangang Bao**, Ningbo (CN)

(**) Term: **14 Years**

(21) Appl. No.: **29/337,605**

(22) Filed: **May 27, 2009**

(30) **Foreign Application Priority Data**

Jan. 13, 2009 (CN) 2009 3 0130520

(51) **LOC (9) Cl.** **06-02**

(52) **U.S. Cl.** **D6/509**

(58) **Field of Classification Search** D6/476-478,
D6/396-397, 436, 449, 491, 509-511; D34/20,
D34/21, 17; 211/13, 133-134; 160/135;
312/258, 140.2; 108/11

See application file for complete search history.

(56) **References Cited**

U.S. PATENT DOCUMENTS

D275,044 S *	8/1984	Hampshire et al.	D34/21
D323,915 S *	2/1992	Welch	D34/21
D326,198 S *	5/1992	Pacetti et al.	D6/477
5,382,087 A *	1/1995	Pouch	312/140.2
D365,224 S *	12/1995	Pohlman	D6/445
D377,721 S *	2/1997	Pohlman	D6/436
D401,782 S *	12/1998	Mitchell	D6/446
D424,328 S *	5/2000	Dominik	D6/445
D457,704 S *	5/2002	Fiscus et al.	D34/20
D470,687 S *	2/2003	Binse et al.	D6/436
D496,540 S *	9/2004	Moon et al.	D6/446
D504,038 S *	4/2005	Perella et al.	D6/446
D504,039 S *	4/2005	Perella et al.	D6/446
D524,506 S *	7/2006	Hay et al.	D34/20

D547,957 S *	8/2007	Muller	D6/360
D555,381 S *	11/2007	Swanson	D6/380
D557,955 S *	12/2007	Parshad	D6/509
D574,170 S *	8/2008	Dergins	D6/509
D577,231 S *	9/2008	Kaczmarek	D6/502
D597,341 S *	8/2009	Stein et al.	D6/446
D617,123 S *	6/2010	Glass et al.	D6/491
D646,096 S *	10/2011	Langbord et al.	D6/502
D646,510 S *	10/2011	Gasser	D6/500
D647,337 S *	10/2011	Gasser	D6/502

* cited by examiner

Primary Examiner — Kelley Donnelly

(74) *Attorney, Agent, or Firm* — Pearne & Gordon LLP

(57) **CLAIM**

The ornamental design for a bodywork of a roller cabinet, as shown and described.

DESCRIPTION

FIG. 1 is a perspective view of a bodywork of a roller cabinet showing my new design;

FIG. 2 is a front view thereof;

FIG. 3 is a rear view thereof;

FIG. 4 is a left side view thereof;

FIG. 5 is right side view thereof;

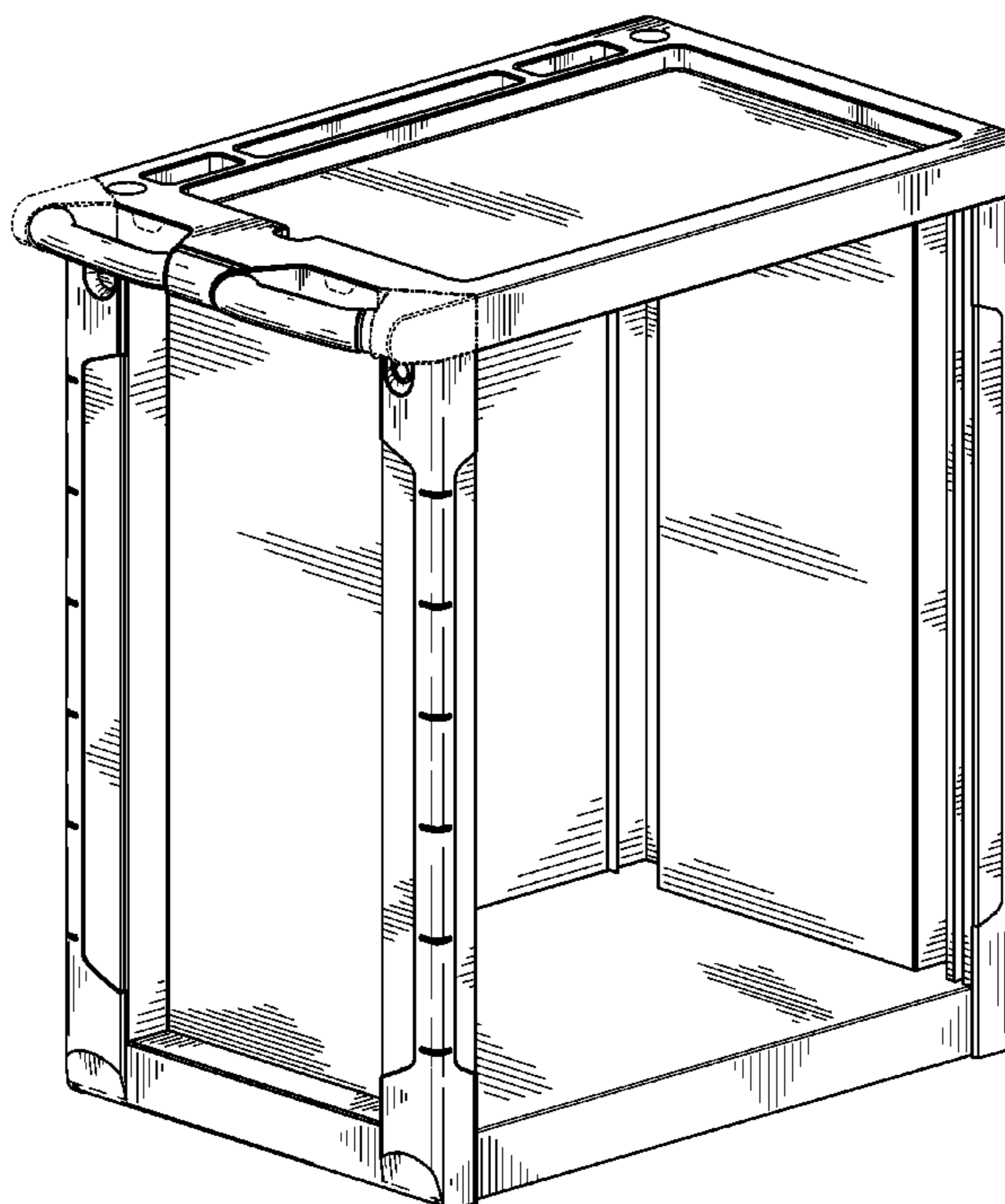
FIG. 6 is a top view thereof; and,

FIG. 7 is a bottom view thereof.

The broken lines shown in FIGS. 1-7 are for the purpose of illustrating the environment of the design only and form no part of the claimed design.

The broken lines that define the bounds of the claimed design form no part thereof.

1 Claim, 7 Drawing Sheets



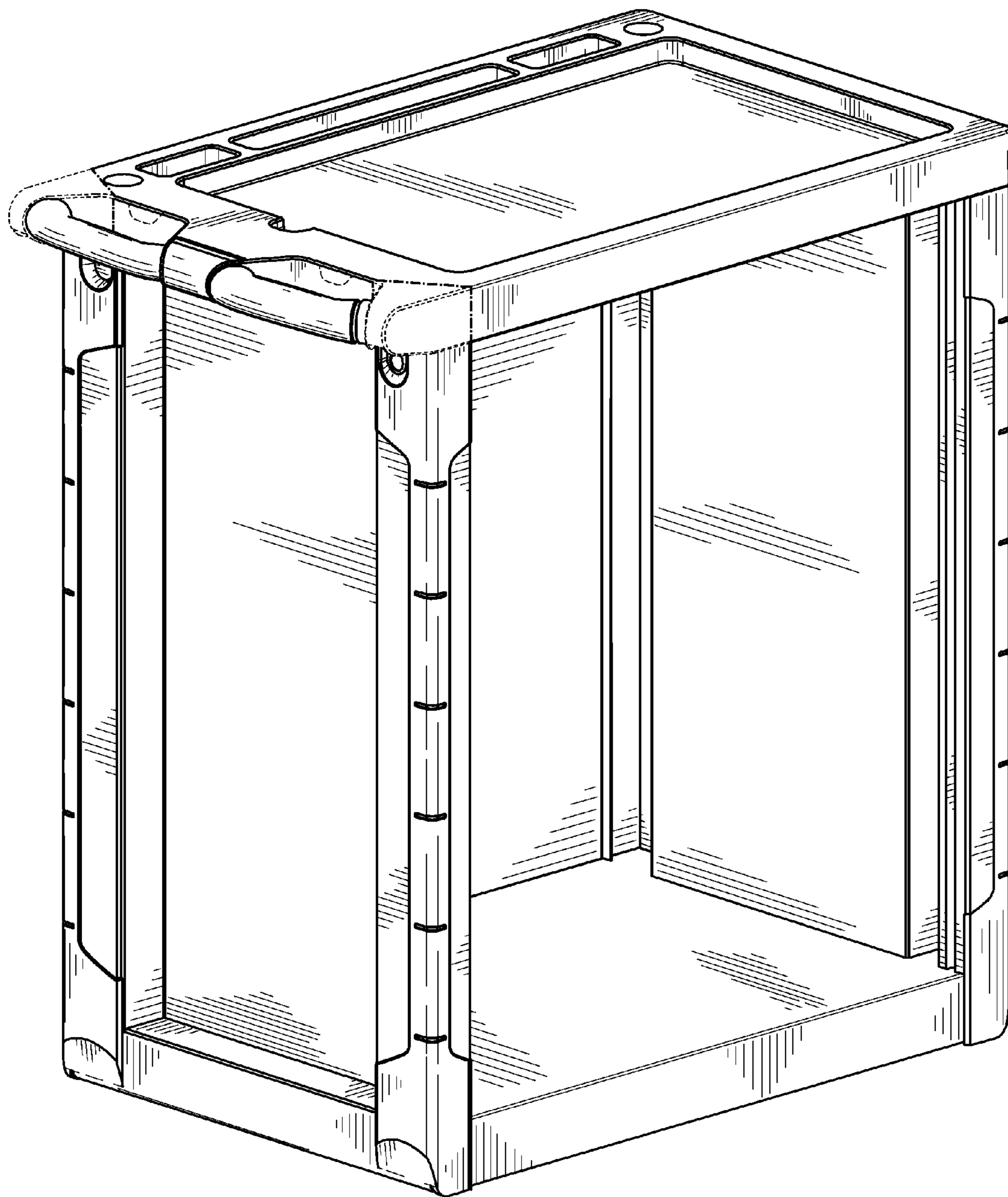


Fig. 1

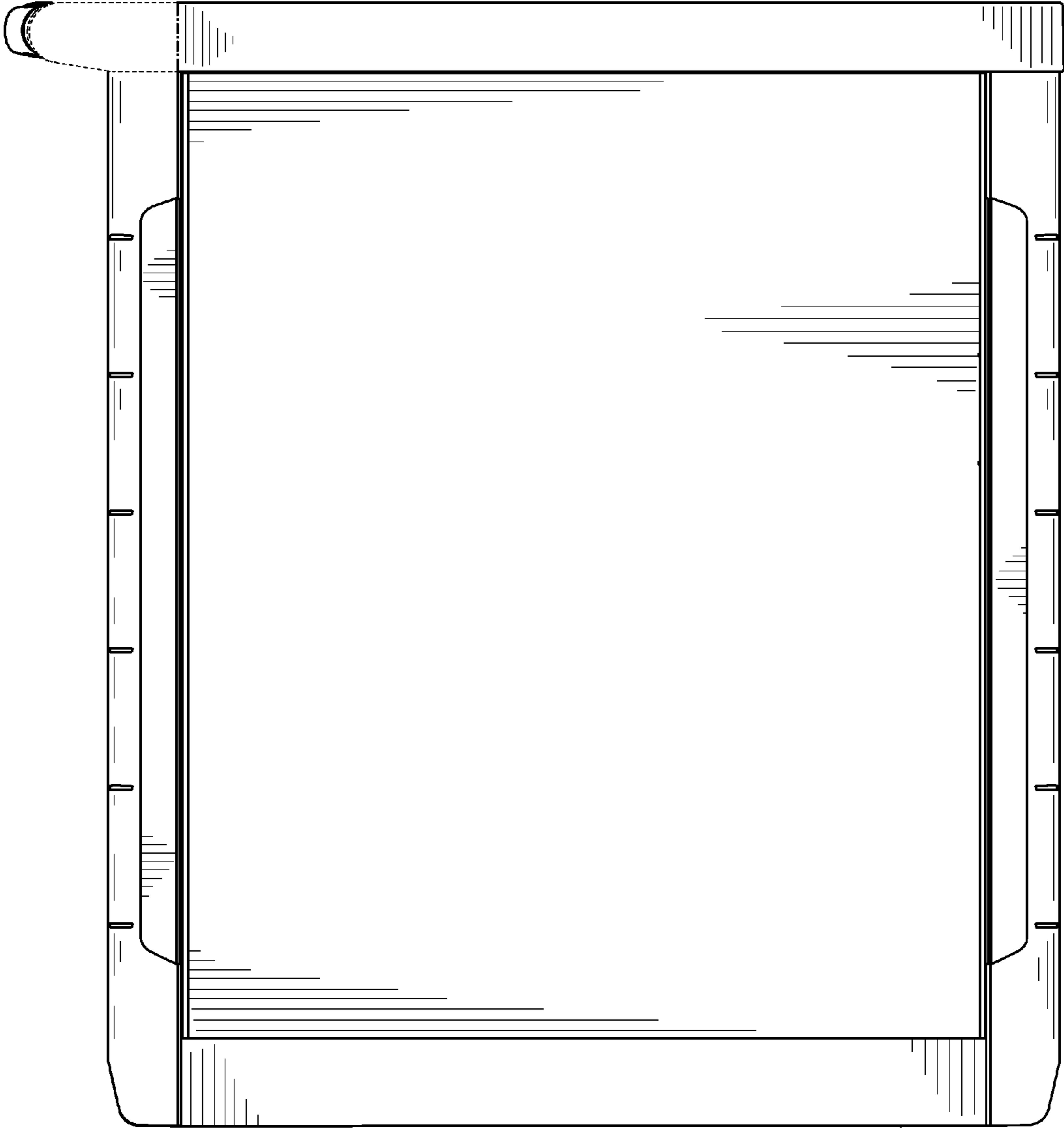


Fig. 2

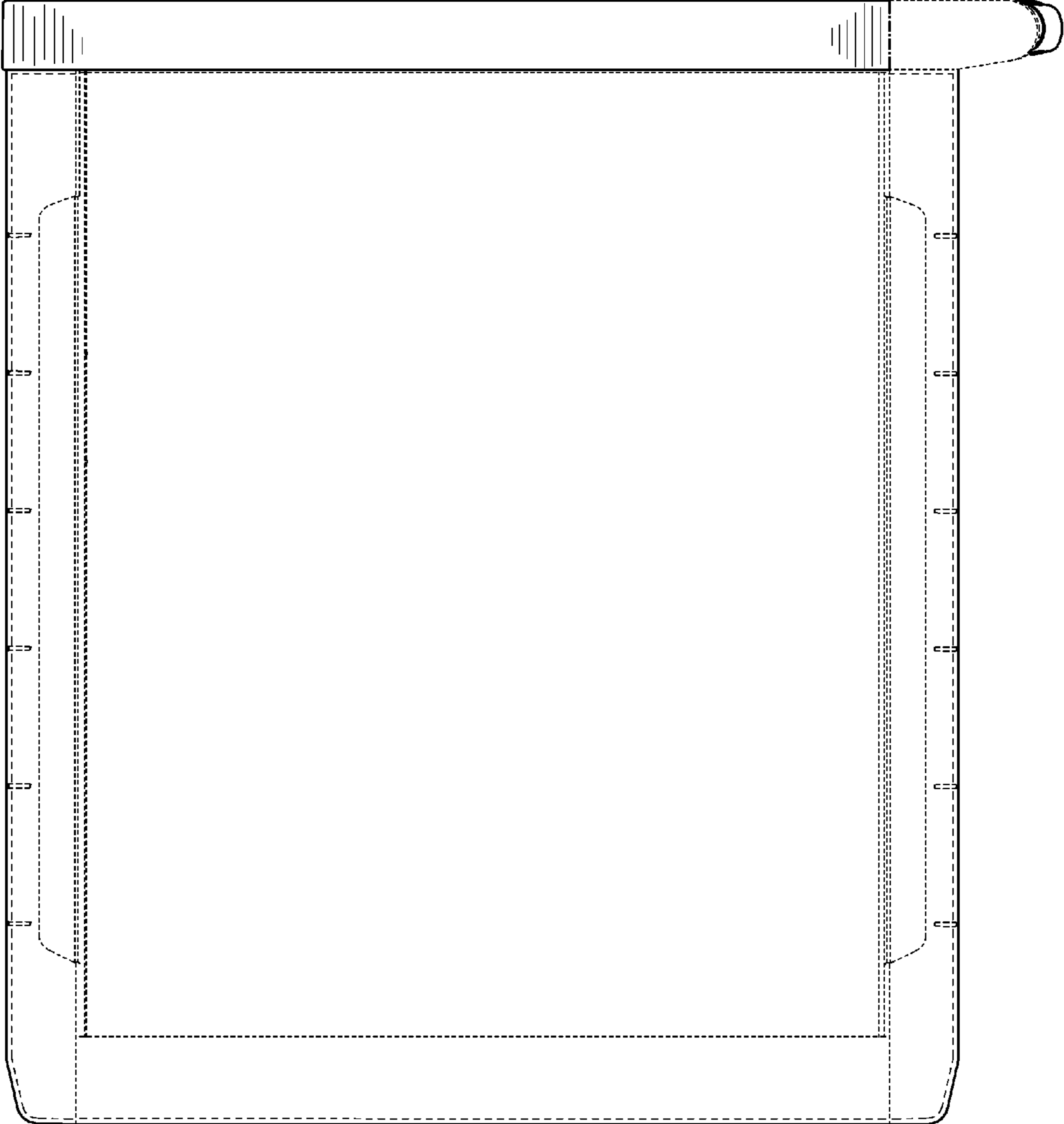


Fig. 3

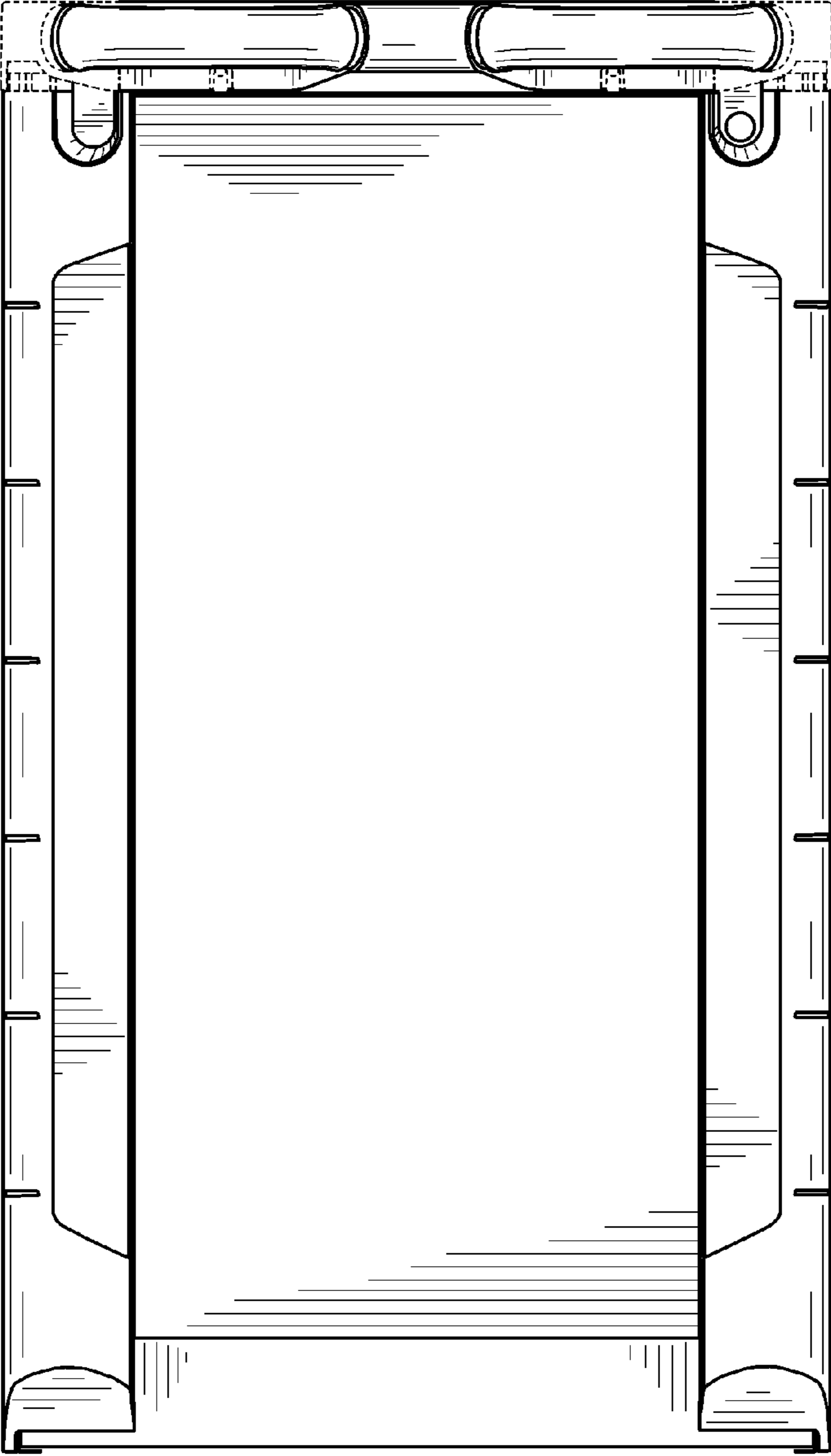


Fig. 4

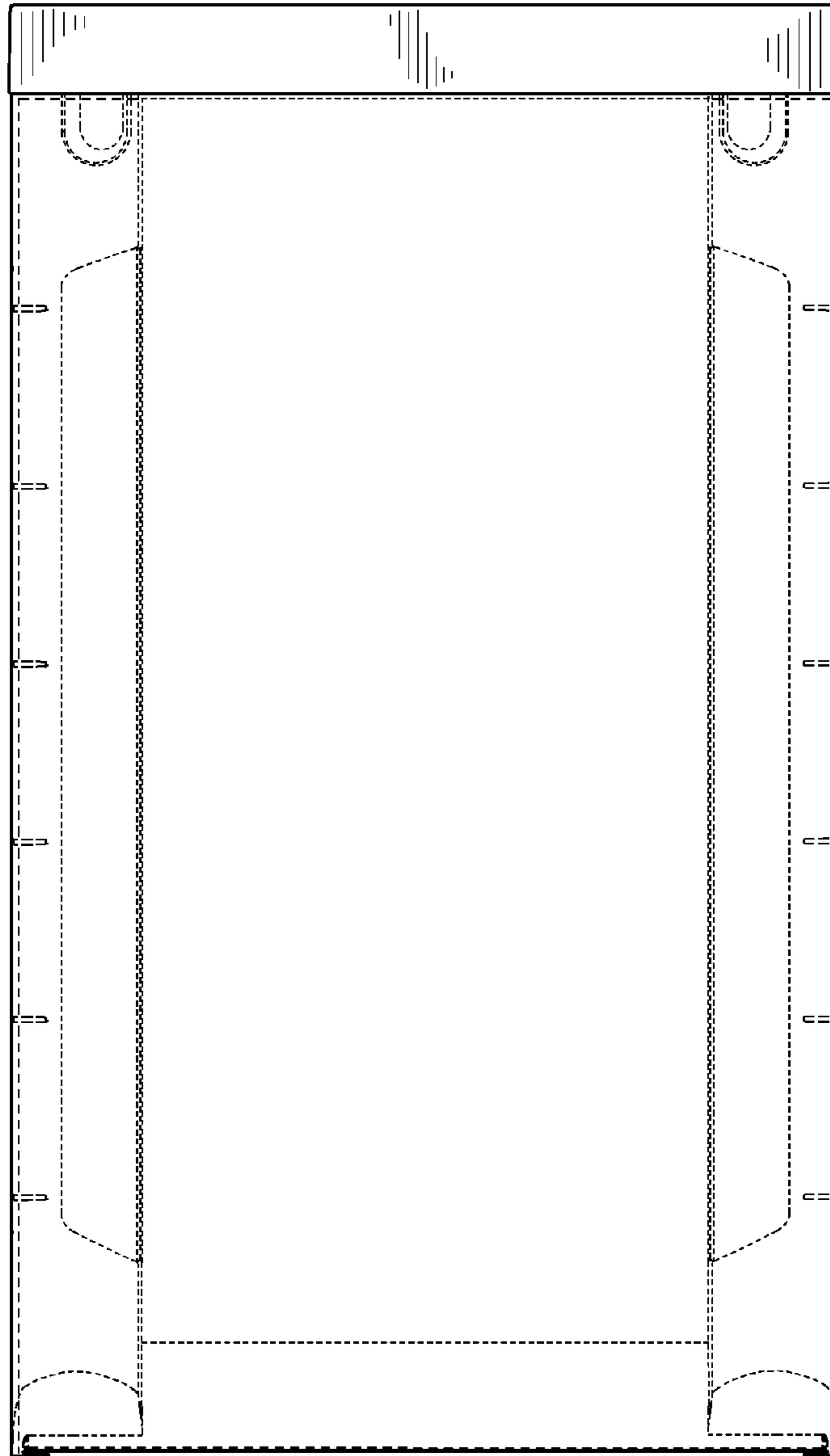


Fig. 5

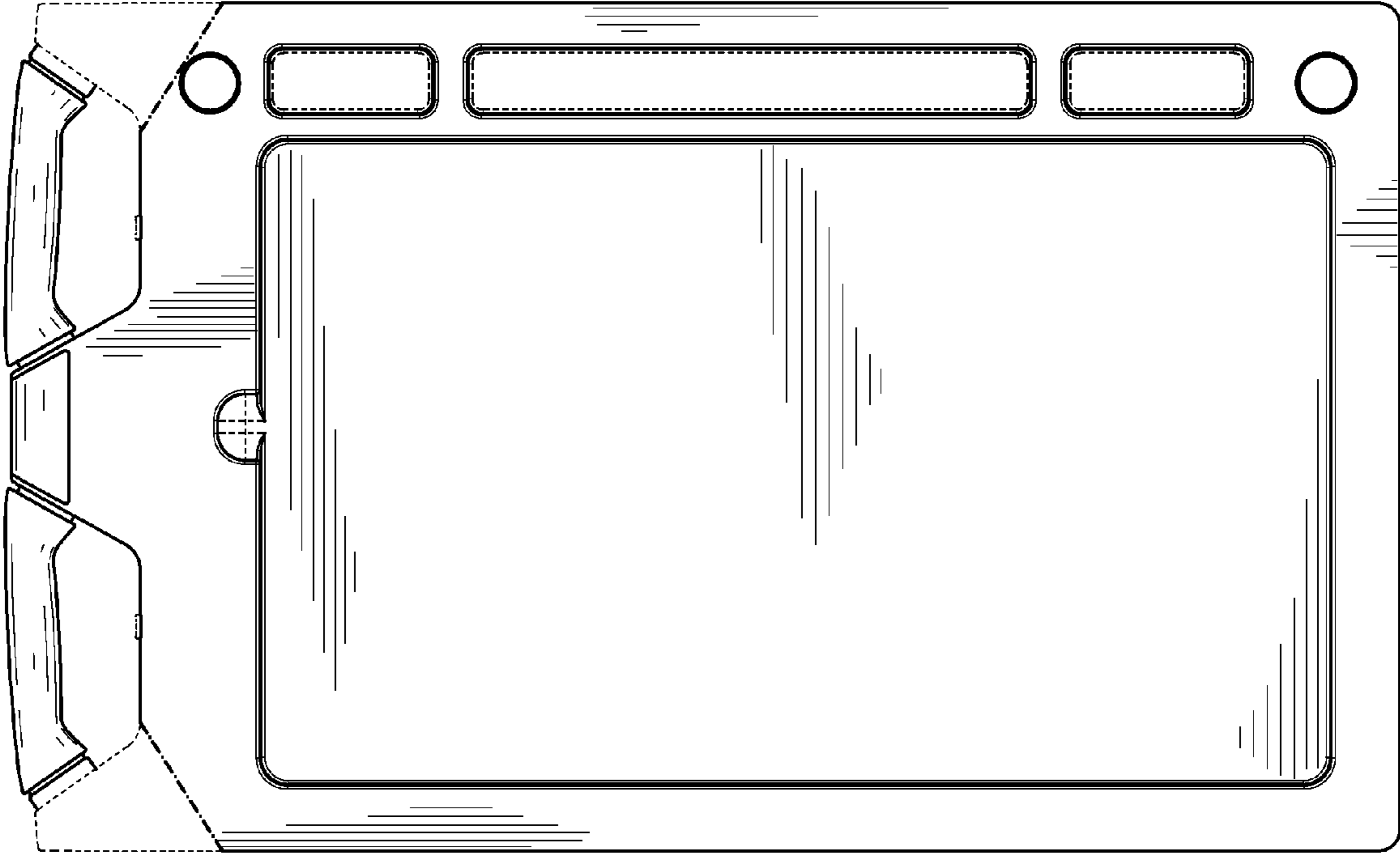


Fig. 6

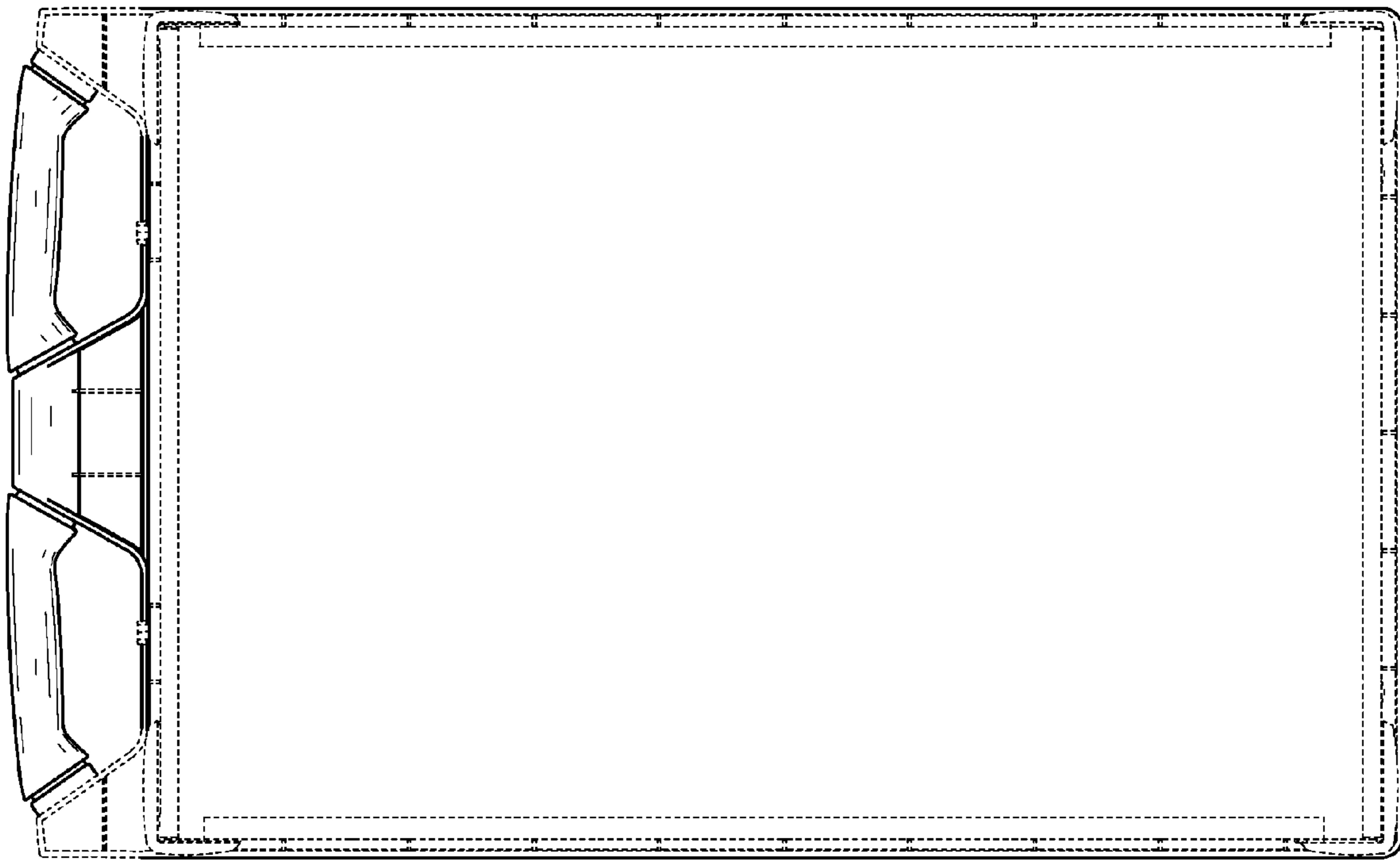


Fig. 7