



US00D661138S

(12) **United States Design Patent**
Lytle

(10) **Patent No.:** **US D661,138 S**
(45) **Date of Patent:** **** Jun. 5, 2012**

(54) **CRIB**

(75) Inventor: **Alan L. Lytle**, Campbellsburg, IN (US)

(73) Assignee: **Foundations Worldwide, Inc.**, Medina, OH (US)

(**) Term: **14 Years**

(21) Appl. No.: **29/401,575**

(22) Filed: **Sep. 13, 2011**

Related U.S. Application Data

(63) Continuation-in-part of application No. 29/388,949, filed on Apr. 5, 2011.

(51) **LOC (9) Cl.** **06-06**

(52) **U.S. Cl.** **D6/503; D6/390; D6/495**

(58) **Field of Classification Search** D6/382-385, D6/390-395, 503, 331, 495; 5/93.1, 97, 5/98.2, 99.1, 131, 200.1; D8/373

See application file for complete search history.

(56) **References Cited**

U.S. PATENT DOCUMENTS

| | | | | |
|-------------------|---------|---------------|-------|---------|
| D162,804 S * | 4/1951 | Feldman | | D6/391 |
| 3,795,022 A * | 3/1974 | Harris | | 5/181 |
| D296,931 S * | 7/1988 | Harris et al. | | D24/183 |
| D331,159 S * | 11/1992 | Bueno | | D6/392 |
| 5,243,726 A * | 9/1993 | Bisbee | | 5/610 |
| D412,624 S * | 8/1999 | Bergenwall | | D6/392 |
| D595,073 S | 6/2009 | Houry et al. | | |
| D646,078 S * | 10/2011 | Shih | | D6/382 |
| 2009/0133191 A1 * | 5/2009 | Harrow | | 5/202 |

OTHER PUBLICATIONS

Crawler, LLC; web page: "markchick.com/site/scaffold/scaffold_100series.htm"; Mar. 31, 2011.

* cited by examiner

Primary Examiner — Janice Seeger

(74) *Attorney, Agent, or Firm* — Christopher L. Parmelee; Walker & Jocke

(57) **CLAIM**

The ornamental design for a crib, as shown and described.

DESCRIPTION

FIG. 1 is a top, front, left side perspective view showing my new design for a crib.

FIG. 2 is a bottom, front, left side perspective view thereof.

FIG. 3 is front view thereof, the back being a mirror image.

FIG. 4 is a right side view thereof, the left side being a mirror image.

FIG. 5 is a top view thereof.

FIG. 6 is a bottom view thereof.

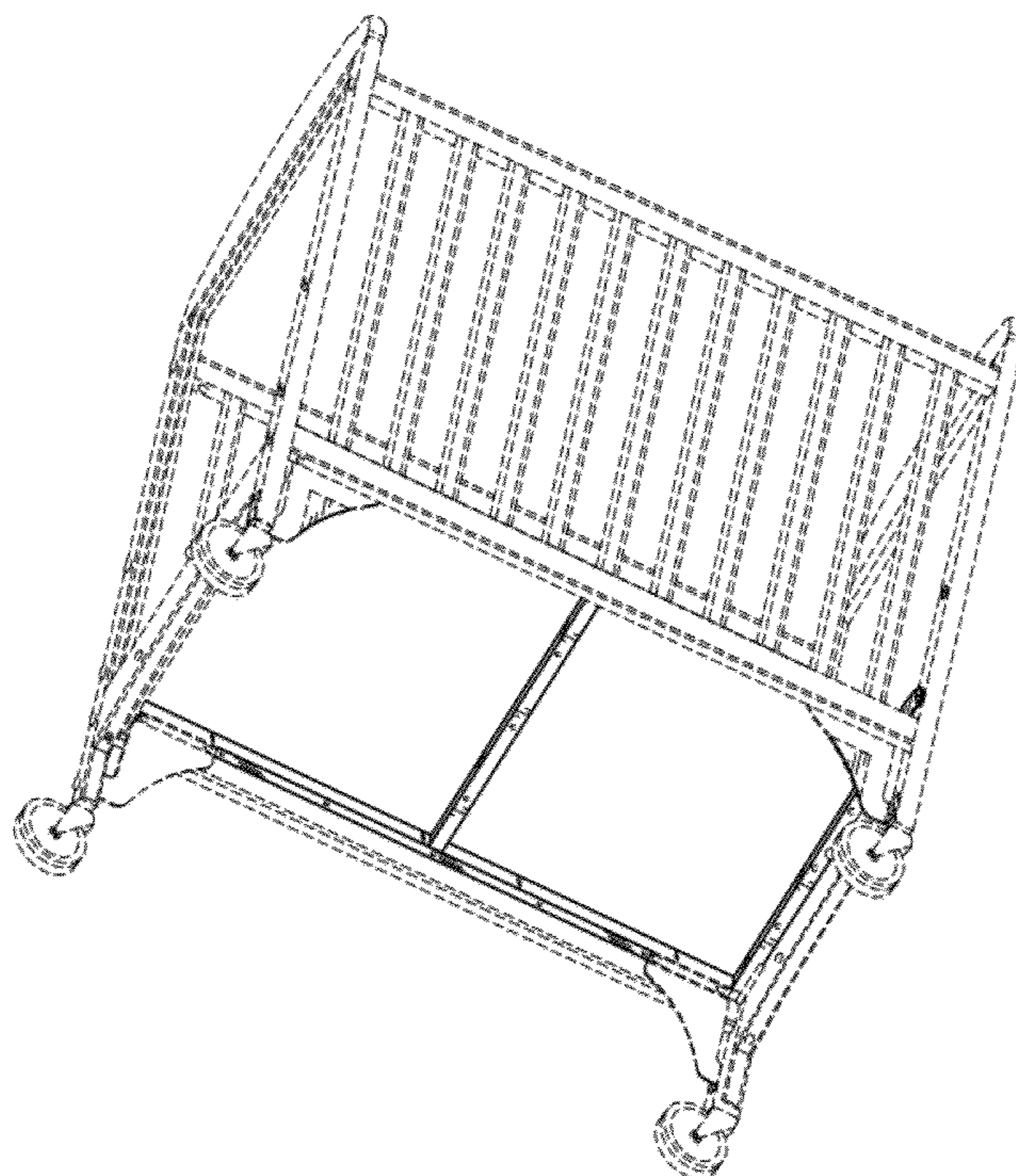
FIG. 7 is a perspective view along lines 7-7 of FIG. 5.

FIG. 8 is a cross-section view along lines 8-8 of FIG. 5; and,

FIG. 9 is a back view along lines 9-9 of FIG. 5.

The broken lines adjacent the shaded areas represent the boundaries of the claimed design, while the other broken lines representing the outline of portions of the crib depict environmental subject matter only, and form no part of the claimed design.

1 Claim, 9 Drawing Sheets



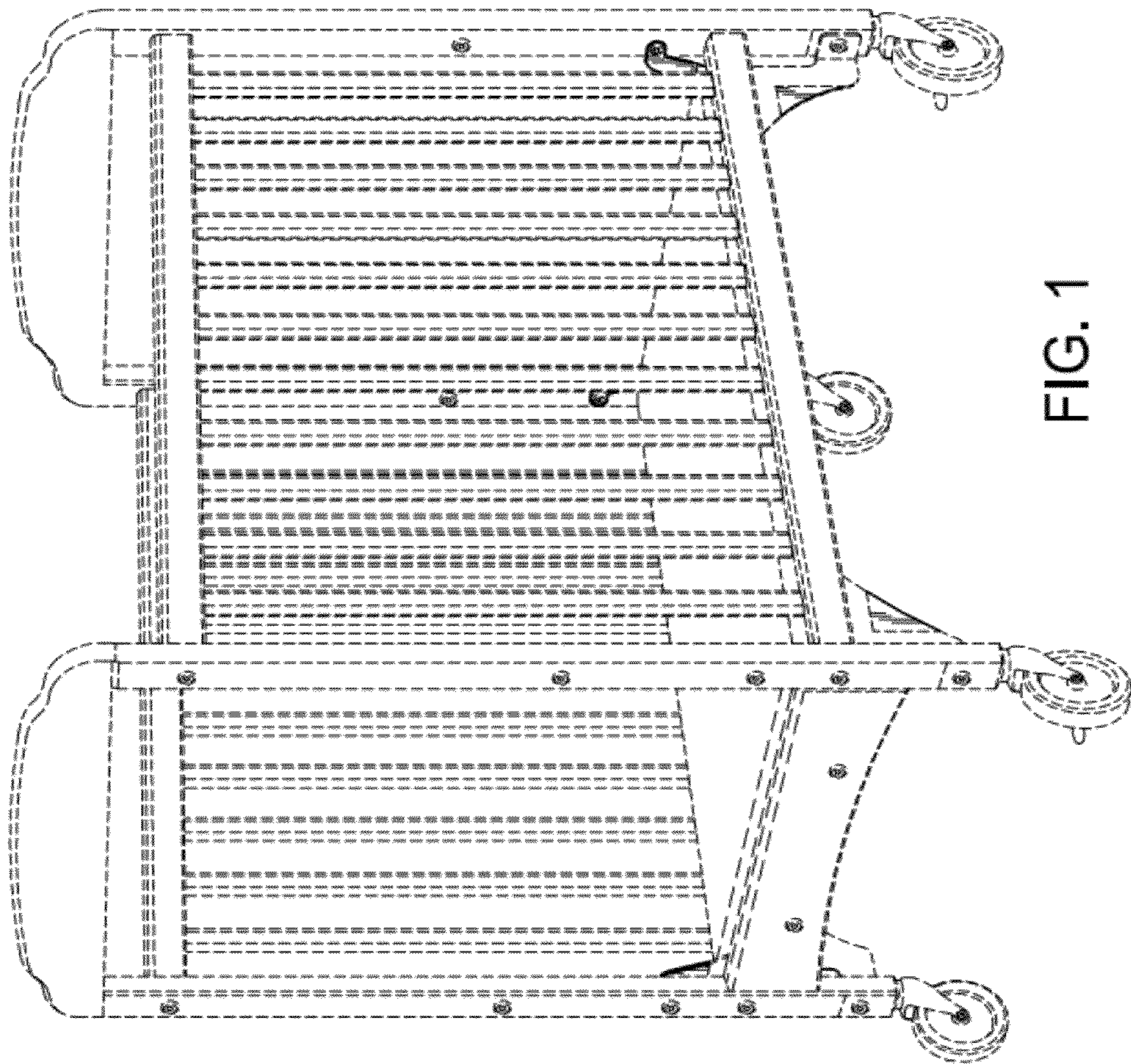


FIG. 1

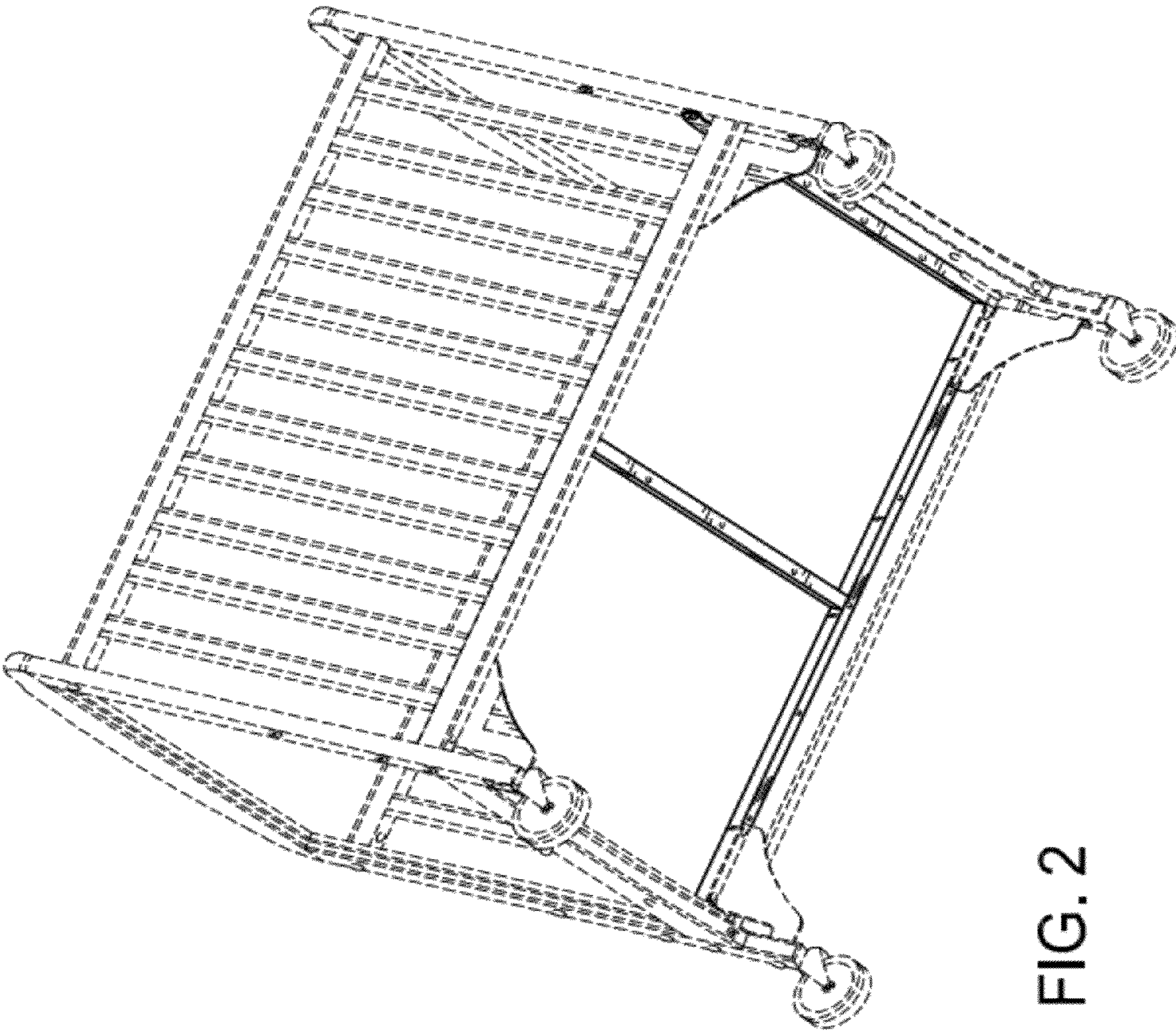


FIG. 2

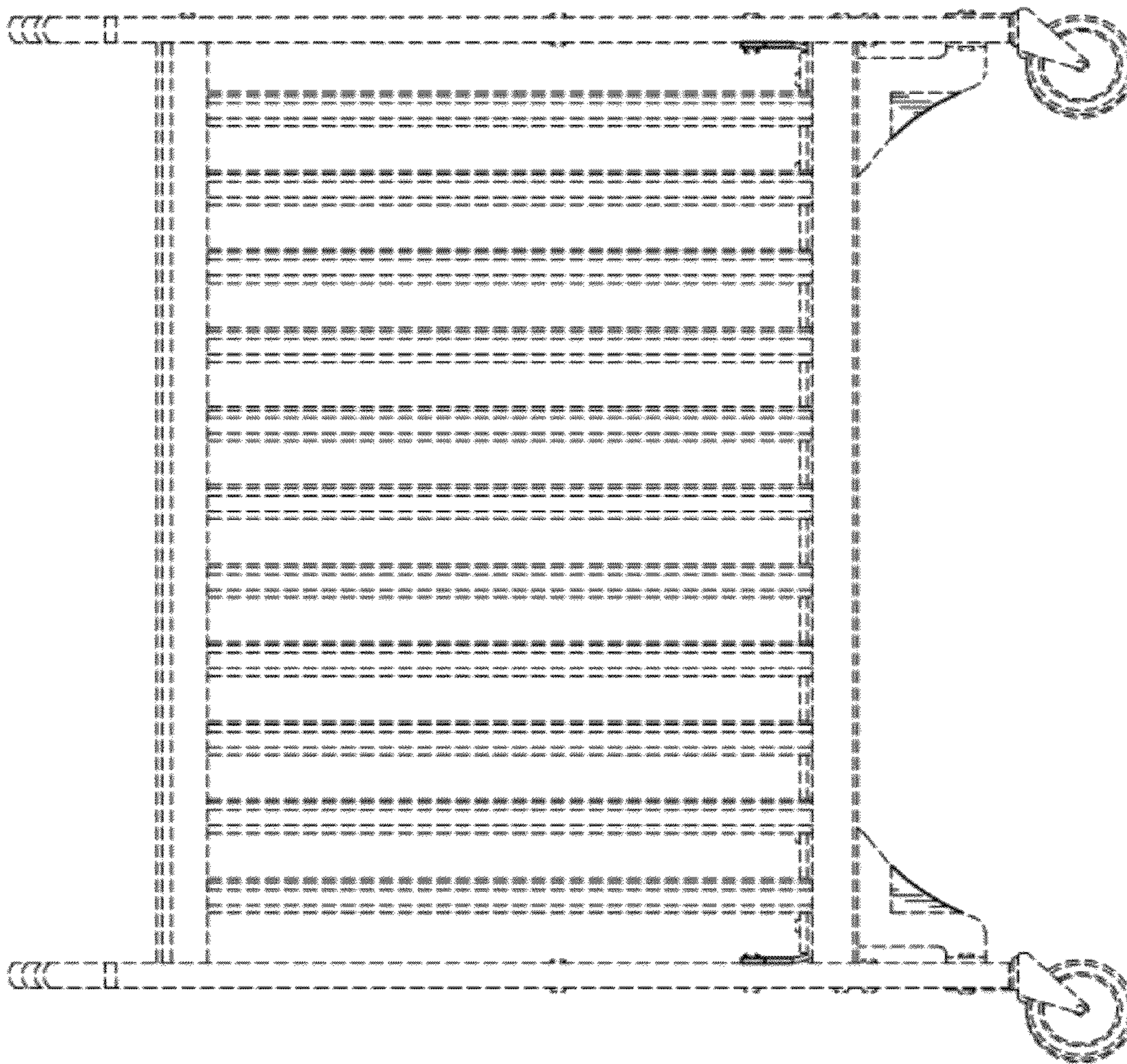


FIG. 3

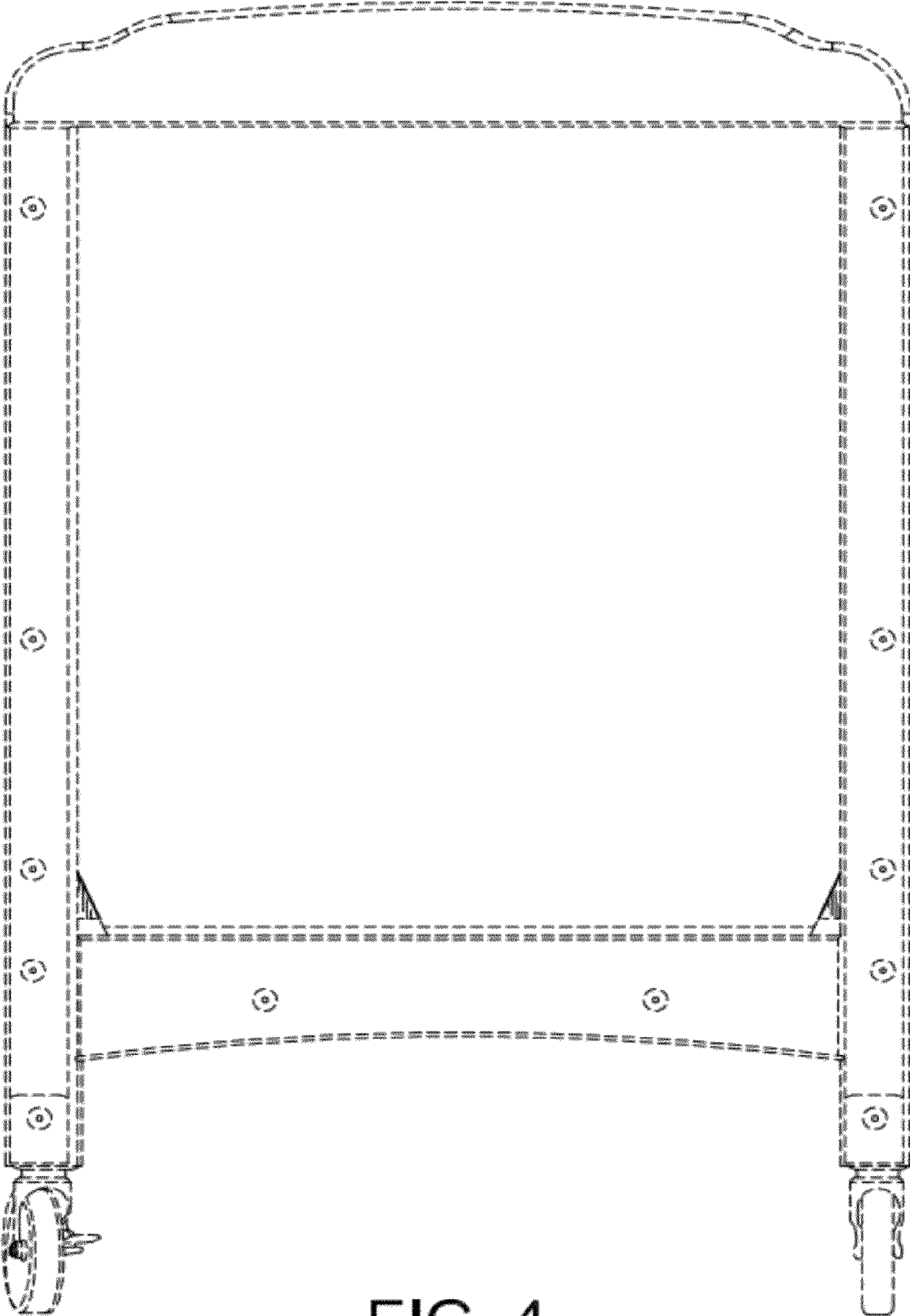


FIG. 4

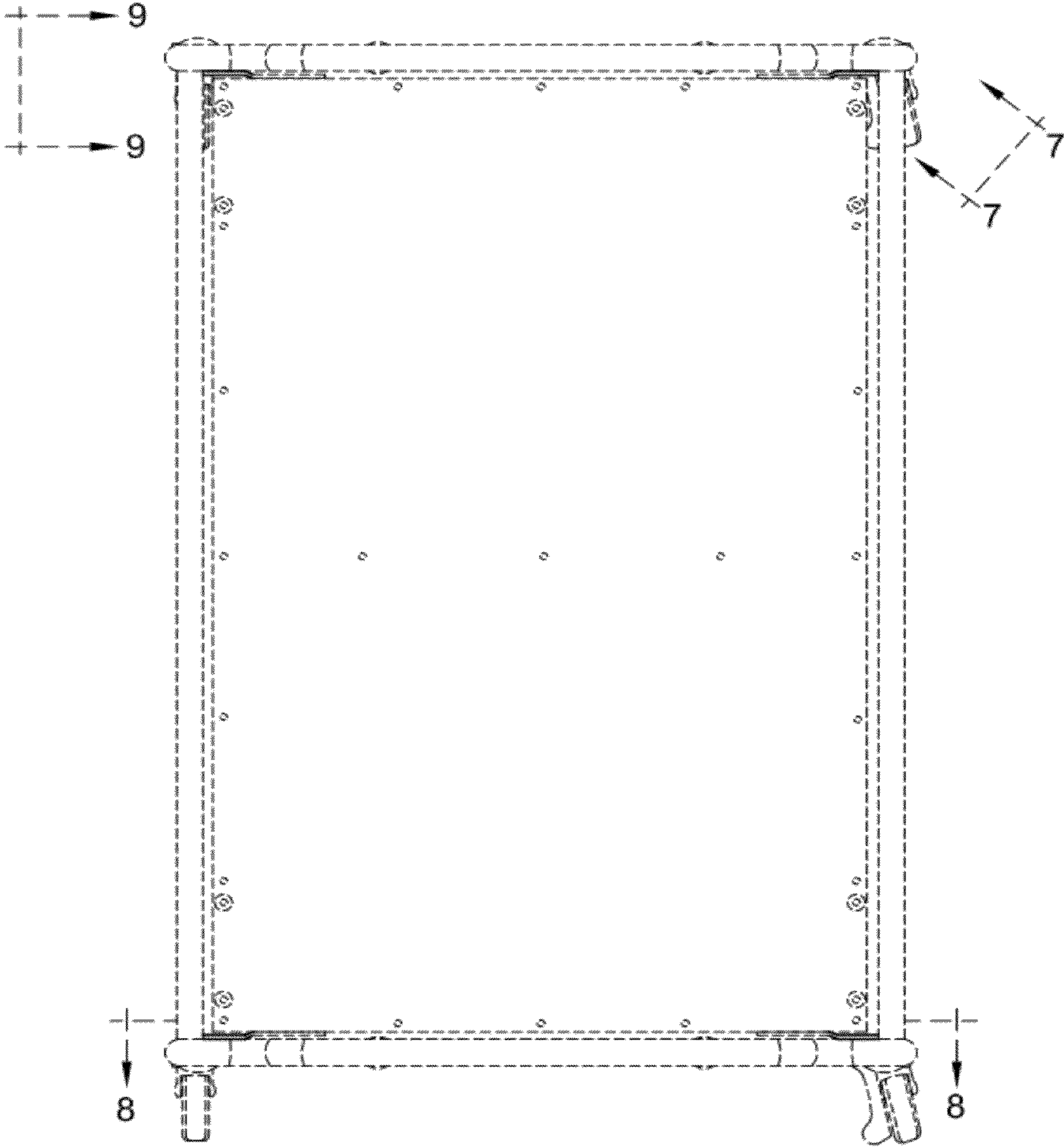


FIG. 5

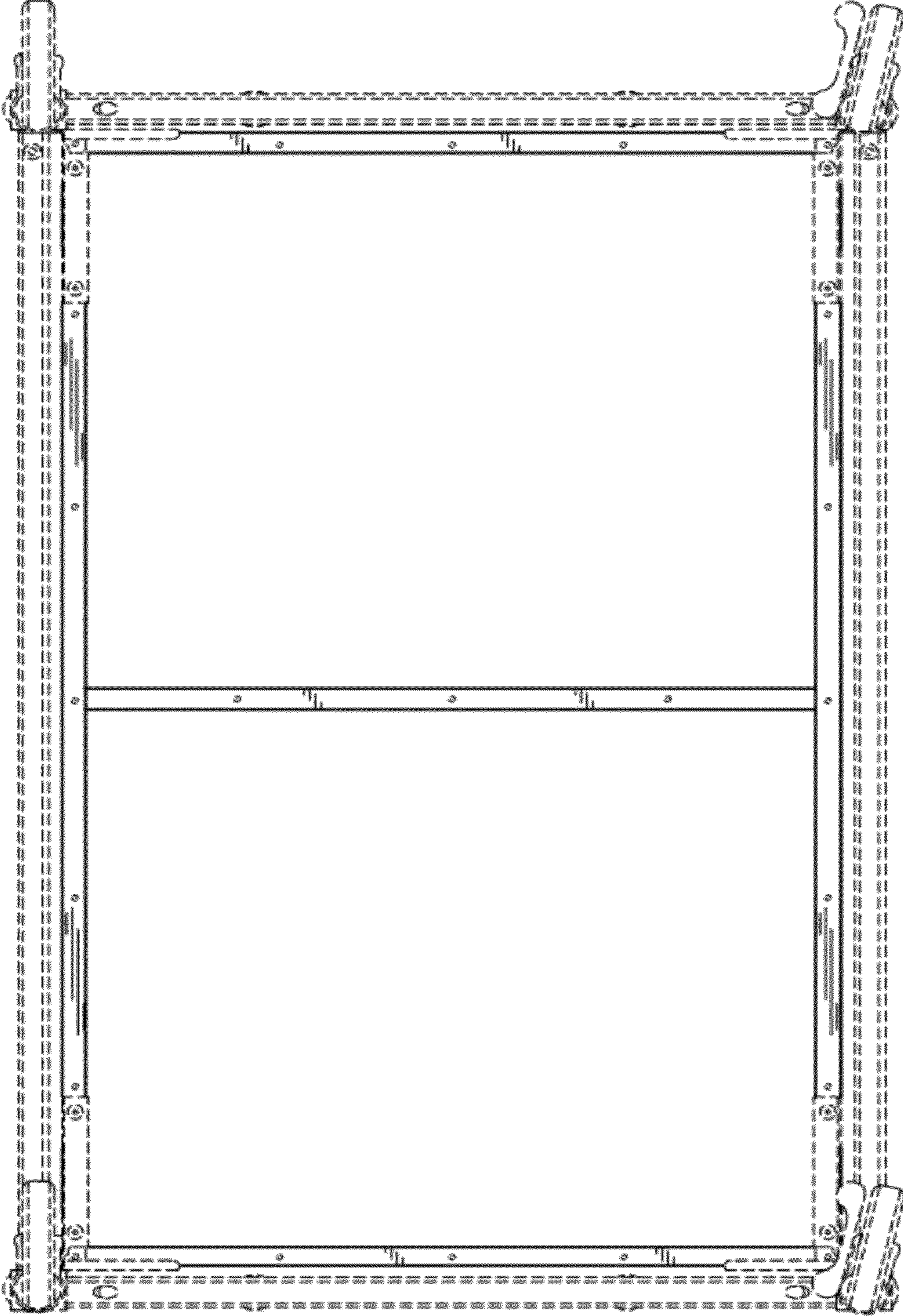


FIG. 6

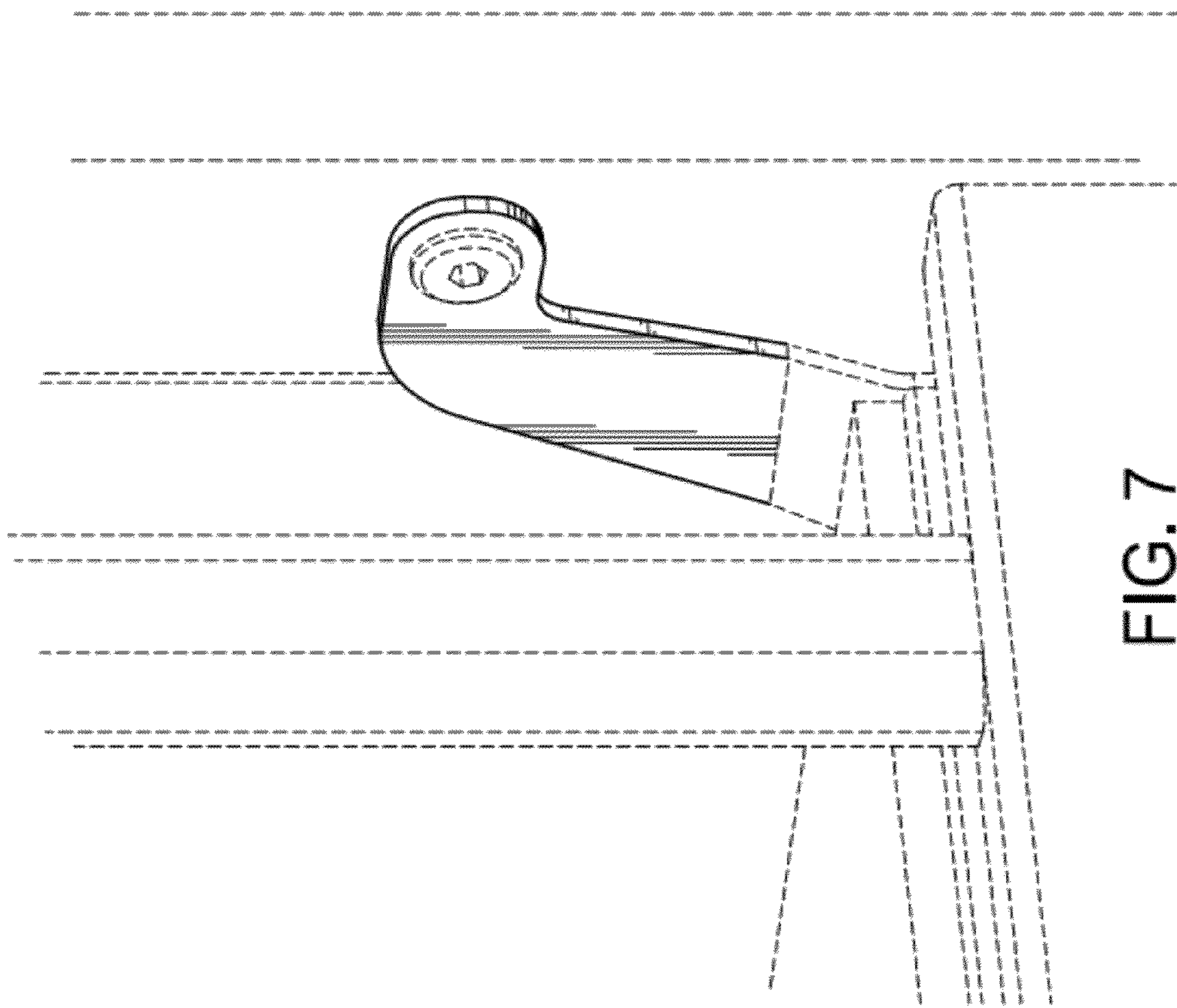


FIG. 7

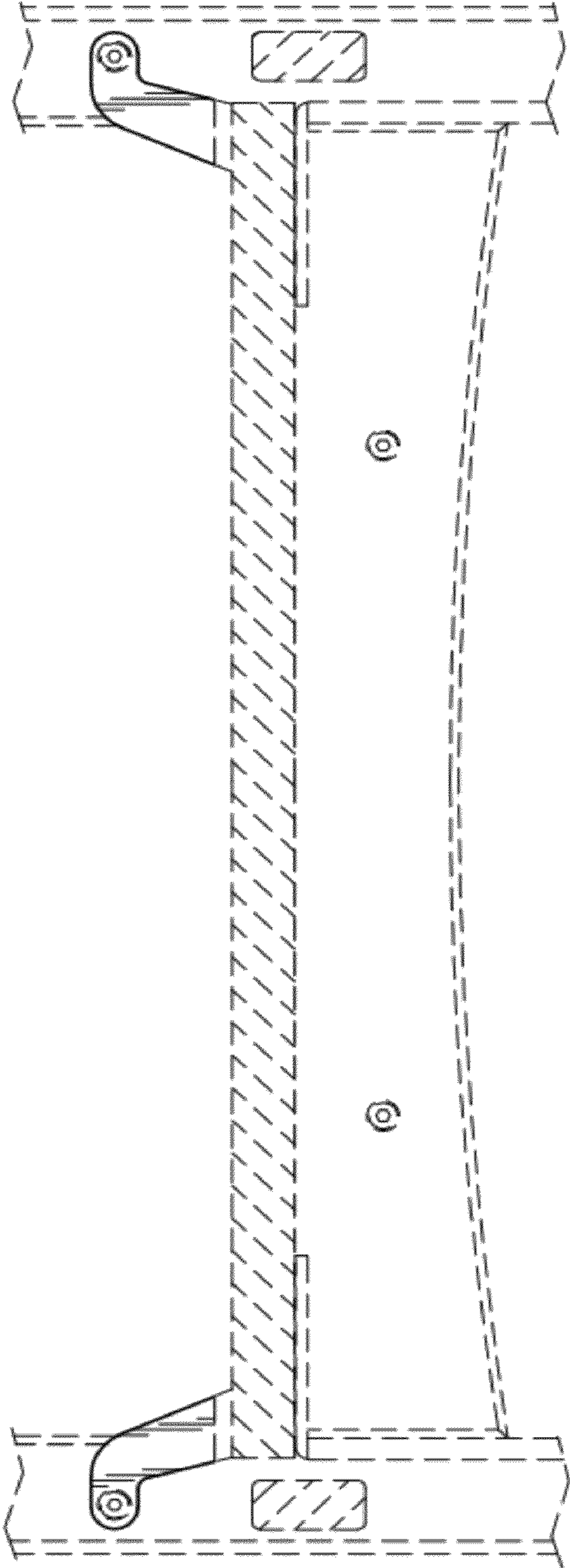


FIG. 8

